

# Table of Contents

Hardware Options .....	2	Bookcases .....	45
Hardware Options .....	3	JFB Bookcases & Storage Units .....	46
Gold Series .....	4	Nith River Office .....	47
Textures .....	5		
Textures .....	6	Vanities .....	48
Avenue Bedroom .....	7	Harvest Sideboard & Hutches & Buffets .....	49
Backwoods Bedroom .....	8	JFB Rustic Sideboards & Corner Units .....	50
Dakota Bedroom .....	9	Bevel Top Servers .....	51
Dakota Bedroom .....	10	Table Leg Options .....	52
Dakota Bedroom .....	11		
Harvest Bedroom .....	12	Avenue Dining Suite .....	53
Kennaway Bedroom .....	13	Backwoods Trestle Dining Suite .....	54
Kenora Bedroom .....	14	Backwoods Leg Dining Suite .....	55
Kenora Bedroom .....	15	Bonanza Dining Room .....	56
Klondike Bedroom .....	16	Century Leg Dining Suite .....	57
Millwright Bedroom .....	17	Century Pedestal Dining Suite .....	58
Nipissing Bedroom .....	18	More Century Dining Suite .....	59
Ozark Bedroom .....	19	Dakota Breakfast Island and Bar Sets .....	60
Renoa Bedroom .....	20	Dakota Dining Suite .....	61
Thornloe Bedroom .....	21	Dakota Double Pedestal Dining Suite .....	62
Warehouse Bedroom .....	22	Millwright Dining Suite .....	63
Cottage Slat Beds .....	23	Homestead Dining Suite .....	64
Panel Beds .....	24	Klondike Dining Suite .....	65
Footboard .....	25	Klondike Dining Suite .....	66
Drawers for Beds .....	26	Laventa Tables .....	67
		Maxwell Dining Set .....	68
		Nith River Dining Tables .....	69
Entertainment Stands .....	27	Nith River Dining Tables .....	70
Entertainment Stands .....	28	The Renoa Dining Suite .....	71
Entertainment Stands .....	29	Saugeen Dining Suite .....	72
Dakota Entertainment .....	30	Warehouse Dining Suite .....	73
Avenue Occasional .....	31	Yukon Turnbuckle Dining Suite .....	74
Backwoods & Century Occasional .....	32	Yukon Pedestal Dining Suite .....	75
Balustrade Occasional .....	33	Yukon Islands .....	76
Dakota Occasional Tables .....	34	Simplicity Islands & Bars .....	77
Dakota Occasional Tables .....	35	More Simplicity Islands .....	78
Homestead Occasional Tables .....	36	Solid Wood Chairs .....	79
Laventa Occasional Tables .....	37	Saddle Benches .....	85
Millwright and Klondike Occasional Tables .....	38	Stools .....	86
Nith River Occasional Tables .....	39	Love Seats & Hall Benches .....	87
Yukon Occasional .....	40		
"A" Series Office Desks .....	41		
Andrews Desks .....	42		
"A" Series Bookcases & Storage Units .....	43		
Dakota Office .....	44		

# Hardware Options



#201



#202



#203



#204



#205



#206



#207



#208



#209



#210



#211



#212



#213



#214



#215



#216



#217



#218



#219



#220



#221



#222

# Hardware Options



#101



#102



#103



#104



#105



#106



#107



#108



#109



#110



#111



112



#113



#114



#115



#116



#117



#118



#119



#120



#121

# Gold Series



#230



#231



#232



#233



#234



#235



#133



#134



#135

# Textures



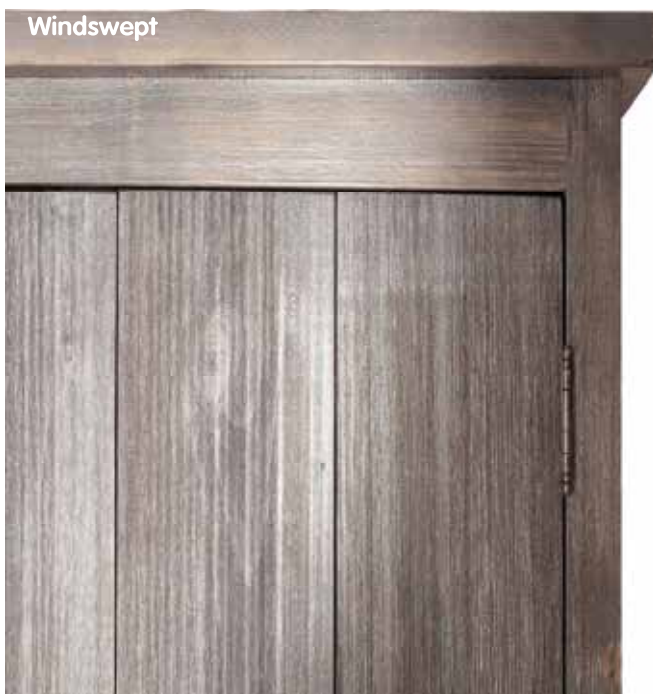
## Millsawn Texture

Millsawn texture is our most rustic texture, creating a rugged, natural look and feel. Millsawn texture is created by using rough lumber, as it comes from the sawmill. It can contain rounded or straight saw marks or a combination of both. Millsawn is not a uniform texture and will vary from smoother to rougher throughout your furniture. Millsawn makes an uneven surface which is not considered a defect but rather a part of the texture



## Random Handplaned Texture

Random Handplaned texture adds a uniquely rustic touch to any piece. We create this texture by randomly applying the hand-planer to the wood panel's surface. While mainly used on tops it can be applied to any flat surface.



## Windswept Texture

Windswept texture makes new wood appear to be worn and weathered from years of exposure to the elements, imitating wind-worn barn boards. Windswept Texture can be done on any flat surface.

# Textures

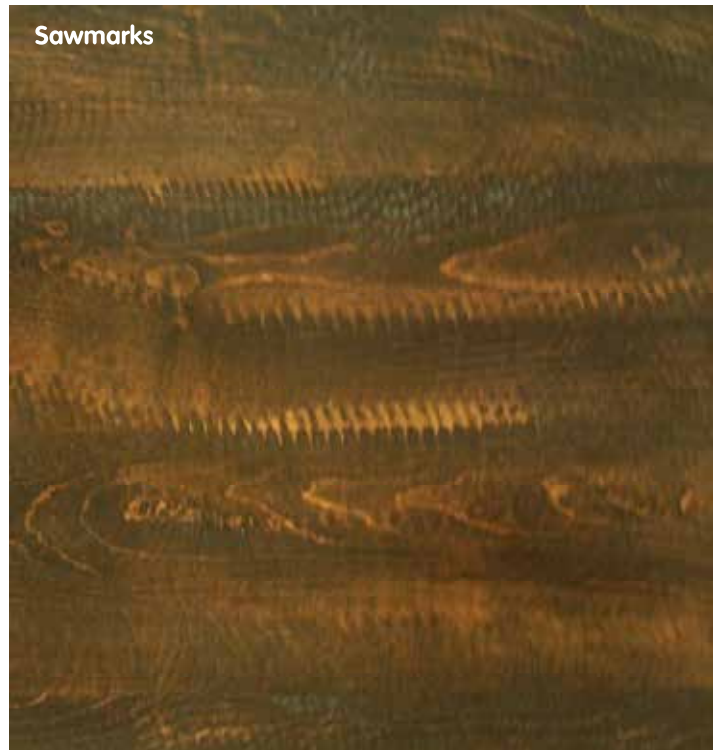
## Vintage Texture

Vintage Texture adds a distinctly antique look and feel to new wood. Created with a planer with some over-sanding done, this texture can contain minor nicks and dents. These characteristics are not a defect, but instead make each piece unique.



## Smooth Sanded Texture

Smooth sanded is, simply put, completely lacking in texture. Rather than a negative quality, this enables the wood grain to fully blossom forth. Our production process completely removes any texture, leaving you with a flat and smooth surface.



## Sawmarks Texture

Sawmarks texture still has a rustic feel to it, though it is less rugged than our Millsawn texture. We add the Sawmarks texture to an already evened surface, creating a rippled surface with rustic characteristics. It can be applied to any flat surface.

**Most of our products can be customized to the texture of your choice from the above list.**

# Avenue Bedroom

Texture: Windswept  
Standard Pulls: #219



**AVNST2** - 2 Drawer Nightstand  
19"D x 25"W x 25"H

**Avenue Platform Bed**  
40" Headboard - 11" Platform  
Includes a Postureboard  
**78AV** - King Bed  
**60AV** - Queen Bed  
**54AV** - Double Bed  
**39AV** - Single Bed

**AVHB4** - 4 Drawer Highboy  
19"D x 36"W x 46"H

**AVDR8** - 8 Drawer Dresser  
19"D x 64"W x 46"H



**AVNST** - Open Nightstand  
19"D x 25"W x 25"H



**Avenue II Bed** - 40" Headboard - 14" Footboard  
**78AV2** - King Bed  
**60AV2** - Queen Bed  
**54AV2** - Double Bed  
**39AV2** - Single Bed

# Backwoods Bedroom

Texture: Millsawn  
Standard Pulls: #203



**BWHB5** - 5 Drawer Highboy  
18"D x 28"W x 58"H

**BWNST3** - 3 Drawer Nightstand  
18"D x 19"W x 33"H

**Panel Bed**  
56" Headboard - 24" Footboard

- 78BW** - King Bed
- 60BW** - Queen Bed
- 54BW** - Double Bed
- 39BW** - Single Bed

**BWARD** - 3 Drawer Armoire  
22"D x 35"W x 77"H

**BWDR6** - 6 Drawer Dresser  
18"D x 54-1/2"W x 36"H

**BWMIR** - Landscape Mirror  
41"W x 35"H



**BWDR8** - 8 Drawer Dresser  
18"D x 58-1/2"W x 47"H

**BWHB4** - 4 Drawer Highboy  
18"D x 28"W x 47"H



**BWNST1** - 1 Drawer Nightstand  
18"D x 19"W x 25-1/2"H

**BWNST2** - 1 Drawer Nightstand  
18"D x 19"W x 25-1/2"H



# Dakota Bedroom

Texture: Vintage w/ Sawmarks Tops  
Standard Pulls: Wood Knobs



**RFHB6** - 6 Drawer Highboy  
20"D x 34"W x 58"H

**RFNST** - 1 Drawer Nightstand  
19"D x 25"W x 32"H

**Dakota Panel Bed**  
47-1/2" Headboard  
31-1/2" Footboard

**78RFP** - King Bed  
**60RFP** - Queen Bed  
**54RFP** - Double Bed  
**39RFP** - Single Bed

**RFLIN5** -5 Drawer Lingerie Chest  
19"D x 24"W x 58"H

**RFDR7** - 7 Drawer Dresser  
20"D x 64"W x 36"H

**RFMIRROR** - Landscape Mirror  
44"W x 40"H



**RFHB4** - 4 Drawer Highboy  
20"D x 34"W x 47"H

**RFDR9** - 9 Drawer Dresser  
20"D x 64"W x 47"H

**RFMIRROR2** - Mule Mirror  
54"W x 28"H

**RFNST3** - 3 Drawer Nightstand  
19"D x 25"W x 32"H

**Dakota Shaker Bed**  
56" Headboard  
31-1/2" Footboard  
**78RFT** - King Bed  
**60RFT** - Queen Bed  
**54RFT** - Double Bed  
**39RFT** - Single Bed

# Dakota Bedroom

Texture: Vintage w/ Sawmarks Tops  
Standard Pulls: Wood Knobs



**RFHB5** - 5 Drawer Highboy  
20"D x 34"W x 58"H

**RFNST2** - 2 Drawer Nightstand  
19"D x 25"W x 26"H

## Dakota Sleigh Bed

48" Headboard

32" Footboard

**78RFS** - King Bed

**60RFS** - Queen Bed

**54RFS** - Double Bed

**39RFS** - Single Bed

**RFWARD** - 3 Drawer Armoire  
24"D x 41"W x 80"H

**RFDR6** - 6 Drawer Dresser  
20"D x 66"W x 36"H



## Dakota Platform Bed

60" Headboard

16" Footboard

**78RFX** - King Bed

**60RFX** - Queen Bed

**54RFX** - Double Bed

**39RFX** - Single Bed

3 Drawers Per Side on King, Queen  
& Double Sizes

3 Drawers on ONE Side Only on  
Single Size

Includes a Posture Board

# Dakota Bedroom

Texture: Vintage w/ Sawmarks Tops



## Dakota Loft Bed

Shown With **Dakota Slat Bed**

### 39RFL Single Loft Bed

43"D x 82"W x 80"H

Includes ladder, Safety Rail & Posture Board. 54-1/2" to Bottom of Siderail

### Dakota Slat Bed

47-1/2" Headboard

31-1/2" Footboard

**78RF** - King Bed

**60RF** - Queen Bed

**54RF** - Double Bed

**39RF** - Single Bed

## Dakota Bunk Beds

Includes ladder, Safety Rails & Posture Boards.

80" High

**39RFBunk**

Single Over Single

**54RFBunk**

Single Over Double

**54DRFBunk**

Double Over Double

**60SRFBunk**

Single Over Queen

**60DRFBunk**

Double Over Queen

**60QRFBunk**

Queen Over Queen



# Harvest Bedroom

Texture: Smooth Sanded, With Grooved Gables  
Standard Pulls: #215 & #115  
Plain Gables Available on special request



**S924**- 3 Drawer Nightstand  
19.5"D x 24"W x 31"H  
**S932**- 9 Drawer Dresser  
19.5"D x 67"W x 46"H  
**S919**- 4 Drawer Highboy  
19.5"D x 37.5"W x 46"H

**S923**-Single Panel Bed  
**S922**-Double Panel Bed  
**S921**-Queen Panel Bed  
**S920**-King Panel Bed  
54" Headboard - 35" Footboard



**S926**- 7 Drawer Dresser  
19.5"D x 67"W x 36.5"H  
**S929**-6 Drawer Highboy  
19.5"D x 37.5"W x 51"H  
**S931**- 2 Drawer Nightstand  
19.5"D x 24"W x 25"H

**S925-1** Drawer Nightstand  
19.5"D x 24"W x 31"H

# Kennaway Bedroom

Texture: Smooth  
Standard Pulls: #117



**K13** - 3 Drawer Nightstand  
17"D x 22"W x 26"H

**K15** - 6 Drawer Chest  
19"D x 38"W x 45"H

**K78BS** - King Shaker Bed  
**K60BS** - Queen Shaker Bed  
**K54BS** - Double Shaker Bed  
**K39B** - Single Shaker Bed  
46" Headboard - 26" Footboard

**K26** - 6 Drawer Dresser  
19"D x 54"W x 30"H  
**K90** - Mirror  
42-1/2"H x 34"W



**K9** - 1 Drawer Nightstand  
17"D x 22"W x 26"H



**K17** - 7 Drawer Dresser  
19"D x 64"W x 35"H

**K78B** - King Bed  
**K60B** - Queen Bed  
**K54B** - Double Bed  
**K39B** - Single Bed  
46" Headboard - 26" Footboard

**K16** - 7 Drawer Chest  
19"D x 38"W x 52"H

**K10** - 1 Door-1 Drawer Nightstand  
19"D x 24"W x 30"H

# Kenora Bedroom

Texture: Millsawn  
Standard Pulls: #205



**KNHB4** - 4 Drawer Highboy  
19"D x 31"W x 44"H

**KNNST2** - 2 Drawer  
Nightstand  
17"D x 22"W x 25½"H

**60KNC** - Queen Condo Bed with 4 Drawers  
60" Head/16" Platform

Also Available

**78KNC** - King Condo Bed with 4 Drawers

**54KNC** - Double Condo Bed with 4 Drawers

**39KL** - Single Condo Bed with 3 Drawers

**KNMIR** - Landscape Mirror  
41½"W 38"H

**KNDR6** - 6 Drawer Dresser  
54"W x 18"D x 36"H



*Flat Front and Gable Option*

# Kenora Bedroom

Texture: Millsawn  
Standard Pulls: #205



**KNHB5** - 5 Drawer Highboy  
18"D x 34½"W x 52"H

**KNNST** - 1 Door /1 Drawer  
Nightstand  
18"D x 22"W x 31½"H

**60KN** - Queen Bed  
60" Head  
33" Foot

Also Available  
**78KN** - King Bed  
**54KN** - Double Bed  
**39KN** - Single Bed

**KNNST3** - 3 Drawer Nightstand  
18"D x 22"W x 31½"H

**KNDR9** - 9 Drawer Dresser  
18"D x 63"W x 44"H



*Close Up of Metal Detail*

# Klondike Bedroom

Texture: Millsawn  
Standard Pulls: #203



**KLNST1** - 1 Drawer Nightstand  
17"D x 22"W x 31"H



**KLNST3** - 3 Drawer Nightstand  
17"D x 22"W x 31"H



**KLHB4** - 4 Drawer Highboy  
19"D x 31"W x 44"H

**Klondike Bed**  
56-1/2" Headboard  
22" Footboard  
**78KL** - King Bed  
**60KL** - Queen Bed  
**54KL** - Double Bed  
**39KL** - Single Bed

**KLDR9** -9 Drawer Dresser  
19"D x 64"W x 47"H

**KLHB6** - 6 Drawer Highboy  
19"D x 31"W x 51"H



**KLDR7** -7 Drawer Dresser  
19"D x 57"W x 36"H

**KLMir** -Landscape Mirror  
42"W x 35"H



# Millwright Bedroom

Texture: Millsawn  
Standard Pulls: #218



**MWHB5**- 5 Drawer Highboy  
19"D x 36"W x 57"H

**MWNST3** - 3 Drawer Nightstand  
17"D x 22"W x 28"H

**MWDR6**- 6 Drawer Dresser  
60" 19"D x 60"W x 36"H

**78MWP**-King Panel Bed  
**60MWP**-Queen Panel Bed  
**54MWP**-Double Panel Bed  
**39MWP**-Single Panel Bed  
Headboard 60" - Footboard 22"



**MWNST1** - 1 Drawer Nightstand  
17"D x 22"W x 28"H

**MWHB4** -4 Drawer Highboy  
19"D x 36"W x 46.5"H

**MWDR9**- 9 Drawer Dresser  
19"D x 66"W x 46.5"H

**39MWS**-Single Slat Bed  
**54MWS**-Double Slat Bed  
**60MWS**-Queen Slat Bed  
**78MWS**-King Slat Bed  
66" Headboard - 30" Footboard

# Nipissing Bedroom

Texture: Vintage  
Standard Pulls: #212



**NPNST3** - 3 Drawer Nightstand  
16"D x 22"W x 26"H



**Nipissing Bed**  
47" Headboard  
16" Footboard  
**78NP** - King Bed  
**60NP** - Queen Bed  
**54NP** - Double Bed  
**39NP** - Single Bed

**NPHB4** -4 Drawer Highboy  
19"D x 32"W x 36"H

**NPDR6** - 6 Drawer Dresser  
19"D x 60"W x 30"H

**NPMIR** - Landscape Mirror  
44"W x 40"H

**NPNST1** - 1 Drawer Nightstand  
16"D x 22"W x 26"H



**NPDR8** - 8 Drawer Dresser  
19"D x 60"W x 38"H

**NPHB5** -5 Drawer Highboy  
19"D x 32"W x 43-1/2"H

# Ozark Bedroom

Texture: Millsawn  
Standard Pull : Finger Edge



**OZNST** - 1 Drawer, Open Nightstand  
18"D x 28"W x 25"H

**OZNST2** - 2 Drawer Nightstand 18"D x 28"W x 25"H

**OZARK** - 60OZ-Queen Bed Headboard 48"H,  
Footboard 22"H  
78OZ - King Bed  
54OZ - Double Bed  
39OZ - Single Bed



**OZDR6**  
6 Drawer Dresser  
18"D x 62"W x 36"H



**OZHB4**  
4 Drawer Highboy  
18"D x 36"W x 46"H

# Renoa Bedroom

Texture: Millsawn  
Standard Pulls: #118



**RONST3** - 3 Drawer Nightstand  
17"D x 24"W x 30"H

**ROHB5** - 5 Drawer Highboy  
19"D x 36"W x 54"H

**Renoa Bed** - 46" Headboard-22" Footboard  
78RO - King Bed  
60RO - Queen Bed  
54RO - Double Bed  
39RO - Single Bed

**RODR7** - 7 Drawer Dresser  
19"D x 64"W x 36"W



**RONST2** - 2 Drawer Nightstand  
17"D x 24"W x 24.5"H

# Thornloe Bedroom

Texture: Smooth  
Standard Pulls: #121



**TLNST2**- 2 Drawer Nightstand  
16"D x 30"W x 26"H

**TLHB5**- 5 Drawer Highboy  
19"D x 36"W x 54"H

**TLDR6**- 6 Drawer Dresser  
19"D x 66"W x 36"H

**39TLU**-Single Bed w/ Upholstered Headboard  
**54TLU**-Double Bed w/ Upholstered Headboard  
**60TLU**-Queen Bed w/ Upholstered Headboard  
**78TLU**-King Bed w/ Upholstered Headboard  
48" Headboard - 15" Footboard



**TLNST1**- 1 Drawer Nightstand 16"D x 30"W x 26"H

**TLHB4** -4 Drawer Highboy 19"D x 36"W x 45"H

**TLDR8**- 8 Drawer Dresser 19"D x 66"W x 45"H

**39TL**-Single Panel Bed  
**54TL**-Double Panel Bed  
**60TL**-Queen Panel Bed  
**78TL**-King Panel Bed  
48" Headboard - 15" Footboard

# Warehouse Bedroom

Texture: Millsawn  
Standard Pulls: #205



**W90** - Mirror  
40"W x 38"H

**W17** - 6 Drawer Dresser  
19"D x 60"W x 36"H

**W10** - 1 Drawer Open Night Stand  
18"D x 18"W x 24"H

**60W** - Queen Bed  
Headboard 52"H, Footboard 22"H

**78W** - King Bed

**54W** - Double Bed

**39W** - Single Bed



**W15** - 5 Drawer Highboy  
19"D x 32"W x 44"H



**W12** - 2 Drawer Nightstand  
18"D x 18"W x 24"H

# Cottage Slat Beds

Texture: Smooth



## 54SLBunk

Single over Double  
Cottage Bunk Bed  
78" High

- 39SLBunk- Double over Double
- 54DSLbunk- Single over Single
- 60QSLBunk- Queen over Queen



60SL - Cottage Slat Bed  
Head 47", Foot 31"

# Bookcase Headboards

Texture: Smooth  
Pulls: Wood Knob



60BC - Queen  
Basic Bookcase Head Board  
46" High



60BCS - Queen Bookcase Head Board  
With Sliding Doors - Head 46"H  
60LF - Low Footboard For Complete Bed  
Fits most styles of headboard

# Panel Beds

Texture: Smooth



**60RPS** - Raised Panel Sleigh Bed  
Head 48", Foot 33"



**60BB** - Bourbon Bed  
Head 52", Foot 30"



**60RP** - Queen Raised Panel Bed  
Head 52", Foot 30"

# Mission Beds

Texture: Smooth



**60MISS** - Queen  
Mission Spindle Bed  
Head 52", Foot 32"

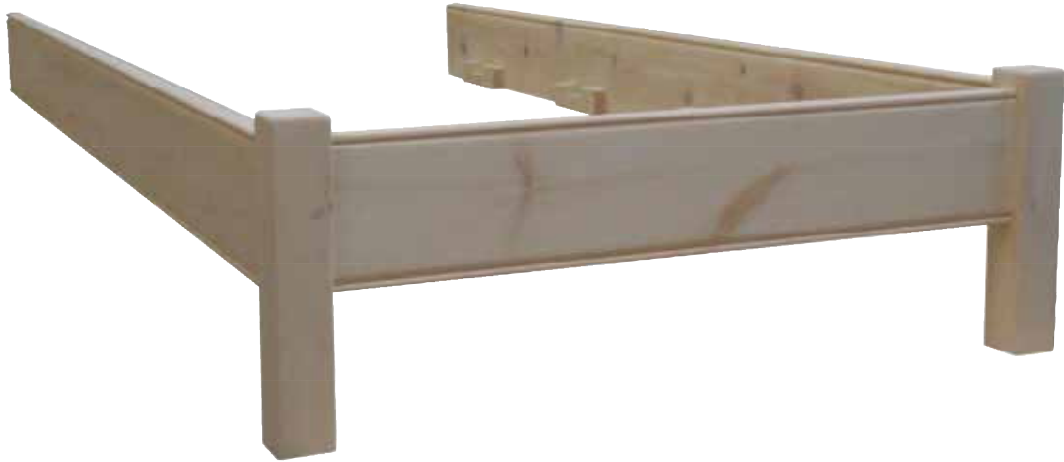


**60MSPF** - Queen  
Mission Bed with Split  
Footboard  
Head 52", Foot 32"



# Footboard

Texture: To Match Bed



**60LF - Low Footboard to Match any Headboard**

## Power Management For Nightstands

Available As An Add-On On Most Nightstands  
Two 110V Outlets & Two USB Ports



# Drawers For Beds



**60UC** - Universal Condo Bed  
to match any style headboard  
4 large drawers, 20" Deep  
Footboard 15" High  
Includes posture board at 13<sup>3</sup>/<sub>4</sub>" from floor

*Shown with Harvest Headboard  
Texture to Match Headboard*

No Headboard Included



**DRUNIT3** - 3 Drawer Unit for 1 Side of Bed  
Large Drawer Space  
16" High  
9" High Drawer Face  
Pull type must be specified  
Also Available,

**DRUNIT2** - 2 Drawer Unit for 1 Side of Bed  
2 Large Drawers, Leaving Space at  
Headboard for Nightstands

# Entertainment Stands



**AVENT72**  
Avenue Entertainment  
Windswept Texture  
19"D x 72"W x 30"H  
Standard Pulls: #219  
1 Adjustable Shelf



**AVVCR**  
Avenue VCR Stand  
Windswept Texture  
19"D x 48"W x 30"H  
Standard Pulls: #219  
1 Adjustable Shelf



**HSTV60B**- Homestead Barn Door Entertainment Unit  
Sawmarks Texture  
18"D x 60"W x 30"H  
6 Adjustable Shelves  
Standard Pulls: #210

**BZENT60B**- Bonanza Barn Door Entertainment Unit  
Millsawn Texture  
16"D x 60"W x 30"H  
6 Adjustable Shelves  
Standard Pulls: #205



# Entertainment Stands



**YTENT** - Yukon Entertainment Stand  
Saw Marked Texture  
20"D x 70"W x 30"H  
Fixed Shelves  
Standard Pulls: #214 & #114



**YTVCR** - Yukon TV VCR Stand  
Saw Marked Texture  
20"D x 50"W x 30"H  
Standard Pulls: #214



**MSVCR** - 1 Door, 2 Drawer Century TV/VCR Stand  
Millsawn Texture  
18"D x 48"W x 30"H  
1 Adjustable Shelf  
Standard Pulls: #118



**MSENT** - Century Entertainment  
Millsawn Texture  
18"D x 70"W x 30"H  
2 Adjustable Shelves  
Standard Pulls: #118

# Entertainment Stands



**WHTV60** - Warehouse TV Stand  
Millsawn Texture  
17"D x 60"W x 26"H  
Standard Pulls: #205

**MWTV60** - Millwright TV Stand  
17"D x 60"W x 26"H  
Millsawn Texture  
2 Adjustable Shelves  
Standard Pulls: #218



**BWENT** - Backwoods Entertainment Stand  
Millsawn Texture  
18"D x 60"W x 30"H  
2 Adjustable Shelves  
Standard Pulls: #203

**KLENT** - Klondike Entertainment  
19"D x 72"W x 30"H  
Millsawn Texture  
2 Adjustable Shelves  
Standard Pulls: #203



**Also Available:**  
**KLENT60** - Klondike Entertainment  
19"D x 60"W x 30"H

# Dakota Entertainment

Texture: Vintage with Sawmarked Tops  
Standard Pulls: Wood Knobs

**ZZ165030** - Staggered TV Stand  
Smooth Texture  
16"D x 50"W x 30"H



**RF48TV** - Dakota TV Stand  
19"D x 48"W x 30"H  
1 Adjustable Shelf

**RFENT** - Dakota Entertainment Unit  
19"D x 63"W x 30"H  
Door openings 18"W  
4 Adjustable Shelves



**RFENT72** - Dakota Entertainment Unit  
19"D x 72"W x 30"H  
2 Adjustable Shelves

# Avenue Occasional

Texture: Windswept  
Standard Pull: #219



**AV1848D** - 2 Drawer Sofa Table  
18"D x 48"W x 30"H



**AV1848** - Sofa Table  
18"D x 48"W x 30"H



**AV2424** - End Table  
24"D x 24"W x 24"H



**AV2424D** - 1 Drawer End Table  
24"D x 24"W x 24"H



**AV2448D** - 2 Drawer Coffee Table  
24"D x 48"W x 18"H



**AV2448** - Coffee Table  
24"D x 48"W x 18"H

# Backwoods & Century Occasional

Texture: Millsawn  
Standard Pulls: #203



**BW1848D** - Sofa Table w/ Shelf & Drawers  
18"D x 48"W x 30"H Backwoods



**BW2448D** - Sofa Table w/ Shelf & Drawers  
24"D x 48"W x 18"H Backwoods



**BW2424D** - End Table w/ Shelf & Drawer  
24"D x 24"W x 24"H Backwoods



**MS2424** - Century End Table  
24"D x 24"W x 24"H



**MS2448** - Century Coffee Table  
24"D x 48"W x 18"H



**MS1848** - Century Sofa Table  
18"D x 48"W x 30"H



# Balustrade Occasional

Texture: Vintage



**BAL-4060** - Coffee Table  
40"D x 60"W x 18"H  
**BAL-3248** - Coffee Table  
32"D x 48"W x 18"H



**BAL-1660** - Sofa Table  
16"D x 60"W x 30"H



**BAL-2424** - End Table  
24"D x 24"W x 24"H

# Bonanza Occasional

Texture: Millsawn



**BZ2424** - End Table  
24"D x 24"W x 24"H



**BZ1860** - Sofa Table  
18"D x 60"W x 30"H



**BZ3060** - Coffee Table  
30"D x 60"W x 18"H

# Dakota Occasional Tables

Texture: Vintage with Sawmarked Tops  
Standard Pulls: Wood Knobs



**RF1848S** - Sofa Table w/ Shelf & Drawer  
**RF1848** -Sofa Table with Drawer Only  
18"D X 48"W X 30"H



**RF1848S** - Sofa Table w/ Shelf & Drawer  
**RF1848** -Sofa Table with Drawer Only  
18"D X 48"W X 30"H



**RF1848S** - Sofa Table w/ Shelf & Drawer  
**RF1848** -Sofa Table with Drawer Only  
18"D X 48"W X 30"H

# Dakota Occasional Tables

Texture: Vintage with Sawmarked Tops  
Standard Pulls: Wood Knobs



**RF2648D** - 4 Drawer Coffee Table  
24"D X 48"W X 18"H



**RF2222** - End table  
**RF2222S** - End Table with Shelf  
**RF2222SD** - End Table with Shelf And Drawer  
22"D X 22"W X 23"H



**RF2448PD** - Pop Up Supper Table with Drawers  
24"D x 48"W x 18"H CLOSED & 27"H OPEN



**RF2448P** - Pop-Up Supper Table w/Storage Box  
24"D x 48"W x 18"H CLOSED & 27"H OPEN

# Homestead Occasional Tables

Texture: Saw Marks All Over



**HS2448**  
Homestead Coffee Table  
24"D x 48"W x 18"H



**HS1848**  
Homestead Sofa Table  
18"D x 48"W x 30"H



**HS2424**  
Homestead End Table  
24"D x 24"W x 24"H

# Kennaway Occasional Tables

Texture: Smooth Sanded  
Standard Pulls: #117

**K2448SD**  
Kennaway Coffee Table  
With Shelf & Drawers  
24"D x 48"W x 19"H



**K2421SD**  
Kennaway End Table With  
Shelf & Drawer  
21"D x 24"W x 22"H



**K1748SD**  
Kennaway Sofa Table  
With Shelf & Drawers  
17"D x 48"W x 30"H



# Laventa Occasional Tables

Texture: Smooth Live Edge  
Laventa Bases: Black Painted Metal



**LVE2424** - Laventa End Table  
24"D x 24"W x 23"H  
1 3/4" Thick Tops



**LVS1848** - Laventa Sofa Table  
18"D x 48"W x 30"H  
1 3/4" Thick Tops



**LVC4242** - Laventa Coffee Table  
42"D x 42"W x 18"H  
1 3/4" Thick Tops

**LVC2448** - Laventa Coffee Table  
*(not shown)*  
24"D x 48"W x 18"H  
1 3/4" Thick Tops

# Saugeen Occasional

Texture: Smooth Live Edge Top & Vintage Base



**SGC2448** - Saugeen Coffee Table  
24"D x 48"W x 18"H



**SGE2424** - Saugeen End Table  
24"D x 24"W x 23"H



**SGS1848** - Saugeen Sofa Table  
18"D x 48"W x 30"H

# Millwright and Klondike Occasional Tables

Texture: Millsawn  
Millwright: Black Metal Bases

**KL3248** - Klondike Coffee Table  
48"W x 32"D x 18"H  
Also Available

**KL2448** - Klondike Coffee Table  
48"W x 24"D x 18"H



**KL1848** - Klondike Sofa Table  
48"W x 18"D x 30"H



**KL2424** - Klondike End Table  
24"W x 24"D x 24"H



**MWC2448** - Millwright Coffee Table  
48"W x 24"D x 18"H  
Also Available

**MWC3248** - Millwright Coffee Table  
48"W x 32"D x 18"H



**MWS1848** - Millwright Sofa Table  
48"W x 18"D x 30"H



**MWE2424** - Millwright End Table  
24"W x 24"D x 24"H

Available Without Metal Top Inlay

# Nith River Occasional Tables

Texture: Vintage with Random Handplaned Tops  
Standard Pulls: Wood Knobs



**RSTCOFFEE** - Coffee Table  
22"D x 46"W x 18"H



**RSTEND** - End Table  
22"D x 22"W x 22"H



**RSTSOFA** - Sofa Table  
18"D x 46"W x 30"H



**RST2222** - Turned Leg End Table  
22"D x 22"W x 22"H



**RST1846** - Turned Leg Sofa Table  
18"D x 46"W x 30"H



**RST3546** - Chunky Coffee Table  
35"D x 46"W x 18"H  
Not Available With Shelf

# Yukon Occasional

Texture: Sawmarks  
Standard Pulls: #214



**YTC2448D** - Yukon Coffee Table with Drawers  
24"D x 48"W x 18"H



**YTC2448** - Yukon Coffee Tables  
24"D x 48"W x 18"H



**YTC2448PU** - Yukon Pop Up Coffee Table  
24"D x 48"W x 18"H Closed & 27"H Open  
False Drawer Fronts



**YTE2424** - Yukon End Table  
24"D x 24"W x 22"H



**YTE2424** - Yukon End Table  
With Drawer  
24"D x 24"W x 22"H



**YTS1848** - Yukon Sofa Table  
18"D x 48"W x 30"H



**YTS1848D** - Yukon Sofa Table with Drawers  
18"D x 48"W x 30"H



# "A" Series Office Desks

Texture: Smooth Sanded with Beading  
Standard Pulls: Wooden Knobs



**A3272LDH**  
Corner Desk With Hutch  
32"D x 72"W x 78"H  
Return  
22"D x 46"W x 30"H  
**A3272LD**  
Desk Only Option



**A2246DH**  
Desk With Hutch  
22"D x 46"W x 70"H  
**A2246D**  
Desk Only Option



**AL2D**  
2 Drawer Lateral Filing Cabinet  
20"D x 30"W x 31<sup>3</sup>/<sub>4</sub>"H



**A3272DH**  
Desk With Hutch  
32"D x 72"W x 78"H  
**A3272D**  
Desk Only Option



**A2D**  
2 Drawer Filing Cabinet  
24"D x 22"W x 31<sup>3</sup>/<sub>4</sub>"H

**A3D**  
3 Drawer Filing Cabinet  
24"D x 22"W x 45"H

**A4D**  
4 Drawer Filing Cabinet  
24"D x 22"W x 58"H

# Andrews Desks

Texture: Smooth Sanded  
Standard Pulls: Wood Knobs



**DK2661F** - Andrews Desk with File Drawers  
26"D x 61"W x 30"H  
2 Letter Size File Drawers



**DK2656** - Andrews Desk  
26"D x 56"W x 30"H  
5 Drawers



**DK2656T** - Andrews Desk with Turned Legs  
26"D x 56"W x 30"H  
3 Drawers  
Also Available with Tapered Legs

# "A" Series Bookcases & Storage Units

Texture: Smooth Sanded with Beading  
Standard Pulls: Wood Knobs



**A4850**

3 Door Jam Cupboard  
w/ 3 Adjustable Shelves  
16"D x 50"W x 48"H



**A4820**

1 Door Jam Cupboard  
w/3 Adjustable Shelves  
16"D x 20"W x 48"H



**A4836**

2 Door Jam Cupboard  
w/ 3 Adjustable Shelves  
16"D x 36"W 48"H

**A6050**

3 Door Jam Cupboard  
w/ 3 Adjustable Shelves  
16"D x 50"W x 60"H

**A6020**

1 Door Jam Cupboard  
w/ 3 Adjustable Shelves  
16"D x 20"W x 60"H

**A6036**

2 Door Jam Cupboard  
w/ 3 Adjustable Shelves  
16"D x 36"W x 60"H



**A70B - A Series**  
Bookshelf With  
Adjustable Shelves  
14"D x 36"W x 70"H

*Also Available*  
48" & 60" High

**A48B**  
14"D x 36"W x 48"H  
**A60B**  
14"D x 36"W x 60"H



**A70BD - A Series**  
Bookshelf With Doors  
& Adjustable Shelves  
14"D x 36"W x 70"H

# Dakota Office

Vintage with Sawmarked Tops  
Standard Pulls: Wood Knobs



**RFDESK72** - 7 Drawer Desk

26"D x 72"W x 30"H

Legal Size File Drawers

Also Available

RFDESK60 - 7 Drawer Desk

26"D x 60"W x 30"H

Letter Size File Drawers



**RF300** - Office Chair

Available on Most Chair Styles



**RFDESK** - 4 Drawer Desk

24"D x 48"W x 30"H

No File Drawers



**RF24CT** - Coat Tree

24" x 24" x 70"H

# Bookcases

Texture: Smooth Sanded  
Standard Pulls: Wood Knobs



**RFBCD366** - 2 Door Bookcase  
12"D x 36"-48" x 60"-84"H  
21" High Doors



**RFBC366** - Bookcase  
12"D x 36"-72"W x 36"-84"H  
60"+ have upright  
center support trim



**RFDD365**  
2 Door Jelly Cupboard  
12"D x 22" or 32"W x 36"-84"H

**All Dakota Bookcases Have 1 Fixed Shelf for Every 12" of Height (Includes Bottom Shelf)  
Adjustable Shelving Available on Request**



**RFSHelf** -Free Standing Shelf  
28" or 40" Wide x 78"H



**ZZ366** - Staggered Bookshelf  
12"D x 36" or 48"W x 36" -84" Tall  
Smooth Texture



**AC2460** - Accent Shelf  
12"D x 24"W x 36" to 84"H

# JBF Bookcases & Storage Units

Texture: Smooth  
Standard Pulls: Wood Knobs



**R6020** -1 Door Cupboard  
13-1/2D x 20"W x 60"H  
4 Adj. Shelves



**R6036** -2 Door Cupboard  
13-1/2D x 36"W x 60"H  
4 Adj. Shelves



**R6050** -3 Door Cupboard  
13-1/2D x 50"W x 60"H  
8 Adj. Shelves



**R7044** - Bookcase  
13-1/2"D x 44"W x 70"H  
Top Shelf Fixed  
4 Adj. Shelves



**R6044** -Bookcase  
13-1/2"D x 44"W x 60"H  
4 Adj. Shelves  
More Sizes Available

# Nith River Office

Texture: Vintage  
Standard Pulls: Wood Knobs

Adjustable shelves available upon request



**DD12225** - 2 Door Cabinet  
12"D x 22" or 32" W x 36" - 84"H  
1 Fixed Shelf for Every 12"  
of Height (includes bottom shelf)



**BC13603** - Bookcase  
12"D x 36" - 72" W x 36" - 84"H  
1 Fixed Shelf for Every 12"  
of Height (includes bottom shelf)  
60" & 72" Wide Have Center Support as Shown



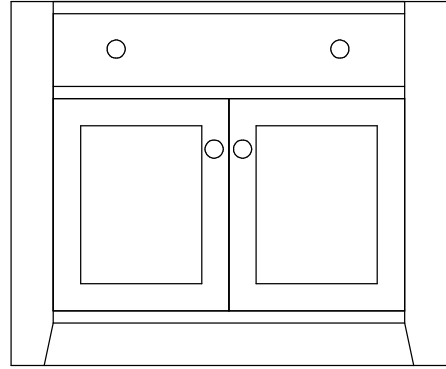
**RSTDESK** - Writing Desk  
24"D x 54"W x 30"H  
1 Drawer

# Vanities

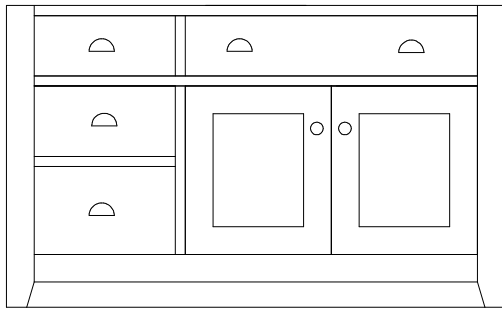
Harvest Smooth Texture  
Dakota Vintage Texture



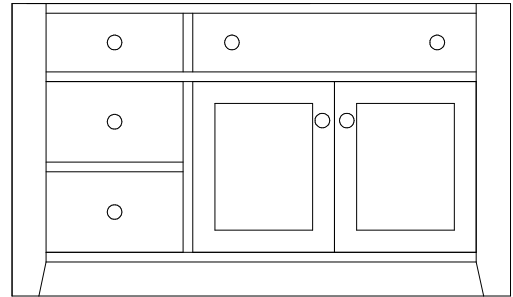
**S345V** - Harvest 2 Door Vanity  
21"D x 34"W x 30"H



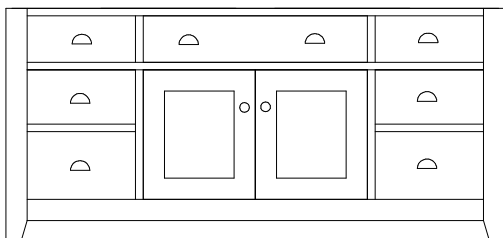
**RFV36** - Dakota 2 Door Vanity  
21"D x 36"W x 30"H



**S495V** - Harvest 2 Door  
3 Drawer Vanity  
21"D x 49"W x 30"H



**RFV51** - Dakota 2 Door  
3 Drawer Vanity  
21"D x 51"W x 30"H



**S345V** - Harvest 2 Door  
6 Drawer Vanity  
21"D x 64"W x 30"H



**RFV66** - Dakota 2 Door  
6 Drawer Vanity  
21"D x 66"W x 30"H



# Harvest Sideboard & Hutches & Buffets

Texture: Smooth  
Standard Pulls: #215 & 115



**S934** - Harvest 3 Door Hutch & Buffet - 22"D x 60"W x 80"H

**S935** - 3 Door Buffet Only - 22"D x 60"W x 36"H

**S936** - 4 Door Hutch & Buffet - 22"D x 77"W x 80"H

**S937** - 4 Door Buffet Only - 22"D x 77"W x 36"H

**S940** - 2 Door Hutch & Buffet - 22"D x 42"W x 80"H

**S941** - 2 Door Buffet Only - 22"D x 42"W x 36"H

**S938D** - Deluxe Harvest Sideboard  
19½"D x 67"W x 40"H



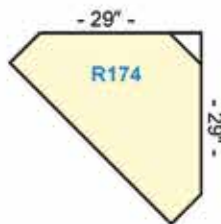
# JFB Rustic Sideboards & Corner Units

Texture: Smooth  
Standard Pulls: Wood Knobs

All Available with Open Hutch or Glass Door Hutch



**R172** - Mini Corner Cabinet  
25"W x 72"H  
21" Out From Corner



**R174** - Corner Cabinet  
37" Wide x 72" High  
29" Out From Corner



**RH50SDHG** - 50" Sideboard  
With Glass Door Hutch  
82"H x 50"W x 18"D

**RH50SD** - 50"  
Sideboard Only  
34"H x 50"W x 18"D



**RH70SDHG** - 70" Sideboard  
With Glass Door Hutch  
18"D x 70"W x 82"H

**RH70SD** - 70" Sideboard Only  
18"D x 70"W x 34"H

# Bevel Top Servers

Texture: Smooth  
Standard Pulls: Wood Knob



**RSTSV3** - 3 Door Beveltop Server  
19"D x 72"W x 36"H

Also Available:

**RSTSV3** - 2 Door Beveltop Server  
19"D x 52"W x 36"H  
Adjustable shelves

**RSTSVH3D** - 5 Drawer Beveltop Server & Hutch  
19"D x 72"W x 79"H

**RSTSV3D** - 5 Drawer Server Only  
19"D x 72"W x 36"H  
Adjustable shelves



**RSTSB72** - 3 Drawer, 4 Drawer Beveltop  
Sideboard  
20"D x 72"W x 43"H plus 3.5" Backsplash  
Adjustable shelves  
center large drawer with 2 drawer fronts



# Table Leg Options



**A**

**B**

**C**

**D**

**E**

**F**

**G**

**H**

**A** 3½" Turned

**B** 3½" Tapered

**C** 3½" Colonial

**D** 3½" Block

**E** 5½" Block

**F** 5½" Colonial

**G** 5½" Tapered

**H** 5½" Turned

# Avenue Dining Suite

Texture: Windswept  
Standard Pulls: #219



**AV20** - Side Chair 19"W x 36"H

**AVB7** - Bench 14" Deep x 4', 5', 6', 7' or 8' Long

**AV427** - Dining Table 36", 42" or 48" Wide; 5', 6', 7', 8', 9' or 10' Long; Also Available With 18" End Leaves

**ADSB4D** - 4 Door Sideboard 19"D x 72"W x 36"H  
4 Adjustable Shelves



**AVSB2D**  
4 Drawer, 2 Door Sideboard  
19"D x 60"W x 36"H  
2 Adjustable Shelves



Table Shown  
With Optional Leaves

# Backwoods Trestle Dining Suite

Texture: Millsawn  
Standard Pulls: #203



**BW426** - Backwoods Table  
36", 42" or 48" Wide x 60" to 120" Long  
Available with 18" End Extensions

**BWB6** - Backwoods Bench  
16"W x 48" to 96" Long

**BWSB60** - Backwoods Sideboard  
18"D x 60"W x 40"H  
1 Fixed Half Shelf

**2220** - Ladderback Shaker Side Chair  
16½"D x 18"W x 43"H



*Optional 18" End Leaf*



*Backwoods Trestle Base*



**BWSB72** - 4 Drawer Sideboard  
18"D x 72"W x 40"H  
1 Fixed Half Shelf

# Backwoods Leg Dining Suite

Texture: Millsawn  
Standard Pulls: #203



**BW30** - Backwoods Arm Chair  
21"D x 22"W x 42"H

**BW20** - Backwoods Side Chair  
21"D x 18"W x 42"H

**BWL427** - Backwoods Leg Table  
36", 42" or 48" Wide x 48 - 120" Long

**BWBL164** - Backwoods Leg Bench  
16"W x 48 - 108" Long

**BWSB40HG** - Backwoods 2 Drawer 4 Door,  
One Piece Sideboard with Glass Door Hutch  
18"D x 40½"W x 80"H

Also Available as Sideboard Only **BWSB40**  
18"D x 40½"W x 40"H

1 Fixed Shelf in Sideboard & 1 Adjustable Shelf in Hutch



Above Table Shown with  
2-18" End Leaves Inserted

# Bonanza Dining Room

Texture: Millsawn  
Standard Pulls: #205



**BZSB72B** - Bonanza Barn Door Sideboard  
18"D x 72"W x 40"H  
2 Adjustable Shelves

**BZ426** - Bonanza Dining Table  
36", 42" or 48" W x 60"-120" L

**BZ20** - Bonanza Side Chair  
18" W x 39"H

**BZ30** - Bonanza Arm Chair  
24" W x 39" H

**BZB6** - Bonanza Bench  
16" D x 48"-96" L



Table Shown with Optional End Leaves  
Also Available with Center Leaves



**BZBUFFET** - Bonanza Buffet  
18"D x 54"W x 36"H  
1 Adjustable Shelf per Door



Sideboard Shown with Doors Open



# Century Leg Dining Suite

Texture: Millsawn  
Standard Pulls: #118



**MS33** - Upholstered Century Arm Chair  
17"D x 22"W x 43"H

**MS22** - Upholstered Century Side Chair  
17"D x 18"W x 43"H

**MSL427ST** - Century Leg Table  
Solid Top with Breadboard Ends  
36", 42" or 48" Wide x 60 - 120" Long

**MSLB7** - Century Leg Bench  
14"W x 48 - 108" Long

**MSSB41HG** - Century 2 Drawer 2 Door Sideboard  
with Glass Door Hutch  
18"D x 41½"W x 84"H (Hutch 13" Deep)

Also Available as Sideboard Only

**MSSB41** - 18"D x 41½"W x 36"H

1 Adjustable Shelf

*Table & Bench Available with Tapered,  
Turned, Colonial or Block Legs*



**MSL427** - Century Leg Table with  
16" Breadboard Leaves

# Century Pedestal Dining Suite

Texture: Millsawn  
Standard Pulls: #118



**MSSB72** - 4 Door-4 Drawer Sideboard  
18"D x 72"W x 42"H  
3 Adjustable Shelves

**HW30** - Hardwick Arm Chair  
25"W x 40"H

**HW20** - Hardwick Side Chair  
19"W x 40"H

**MS426ST** - Solid Top Table  
36"- 48"W x 60"-120"L

**MS426** - End Extension Table  
36"- 48"W x 60"-120"L + 2-16" End Leaves

**MSX426** - Center Extension Table  
36" - 48"W x 60" - 84"L + 2-12" Center Leaves

**MSB146** - Bench  
14"D x 48" - 96"W



**MSI60** - 4 Door 1 Drawer Island  
38"D x 60"W x 36"H  
1 Fixed Shelf



**Table Shown with End Extensions Inserted**

# More Century Dining Suite

Texture: Millsawn  
Standard Pulls: #118



Table Shown With Optional Center Leaves

**MSSB61** - 2 Door-3 Drawer Sideboard  
18"D x 61"W x 36"H + Backsplash  
4 Adjustable Shelves

**MS48R** - Solid Top Single Pedestal Table  
36" - 60" Diameter

**MSX48R** - Center Extension Single Pedestal Table  
36" - 60" Diameter + 2-12" Leaves

**WB20** - Westbrooke Side Chair  
18"W x 39"H (Smooth Texture)



**MSBAR60** - Century Split Level Bar  
28"D x 60"W Upper Top 42"H - Lower Top 36"H



**IPT24** - 24" Implement Bar Stool  
**IPT30** - 30" Implement Bar Stool  
Smooth Texture

# Dakota Breakfast Island and Bar Sets

Texture: Vintage with Sawmarked Tops  
Standard Pulls: Wood Knobs



**RFIsland4** - 48"W Dakota Island  
**RFIsland5** - 60"W Dakota Island  
38"D x 36" High with 4 Doors  
1 Fixed Shelf

**RF4124** - 24" Ladderback Bar Chair  
**RF4130** - 30" Ladderback Bar Chair  
16"D x 18"W with back 19"H

**RFBar4** - 48" Dakota Bar  
**RFBar5** - 60" Dakota Bar  
1 Fixed Shelf

**RF4024** - 24" Slat Back Bar Chair  
**RF4030** - 30" Slat Back Bar Chair  
16"D x 18"W with back 19"H



# Dakota Dining Suite

Texture: Vintage with Sawmarked Tops  
Standard Pulls: Wood Knobs  
Chair Textures: Vintage



**RFHB60** - Hutch & Buffet  
60"W x 18"D x 80"H  
**RFB60** - Buffet Only  
18"D x 36"H

2 Fixed Shelves

**RFB144** - Bench with Drawer  
DISCONTINUED

**RF20** - Slatback Side Chair  
20"D x 20"W x 44"H  
Also available in smaller size

**RF20S** - Side Chair  
19"W x 40"H

**RF30S** - Side Chair  
25"W x 40"H

**RF30** - Slatback Arm Chair  
20"D x 26"W x 44"H

**RF385** - Dakota Table  
Standard widths 42" and 46"  
48", 60", 72", 84", 96", 108" long  
Also available with turned legs

Example of Dakota Table and  
4 Legged Bench with Optional  
Live Edge

Optional 18" End Extensions



# Dakota Double Pedestal Dining Suite

Texture: Vintage with Sawmarked Tops  
Standard Pulls: Wood Knobs  
Chair Textures: Vintage



**RF31** - Dakota Ladder Back Arm Chair  
21"D x 25"W x 40"H

**RF21** - Dakota Ladder Back Side Chair  
21"D x 19"W x 40"H

**RFC35P** - Dakota Corner Hutch  
with Pie Shelf  
18"D x 35"W x 80"H

**DRFHB60G** - Dakota 3 Drawer, 3 Door Buffet with Glass  
Door Hutch  
18"D x 60"W x 80"H

**RFB60G** - Dakota 3 Drawer-3 Door Buffet Only  
18"D x 60"W x 36"H  
1 fixed shelf

**RFBL7** - Dakota 4 Legged Bench  
14"D x 18"H x 48-96"L

**RFDP427** - Dakota Double Pedestal Table  
42 or 48"W x 60 - 120"L



*Bench also available with  
Turned or Colonial Legs*



*Dakota Double Pedestal Table Shown  
With Optional End Leaves Inserted*

# Millwright Dining Suite

Texture: Millsawn  
Standard Pulls: #218



**MW30** - Arm Chair  
20"D x 26"W x 44"H

**MW20** - Side Chair  
20"D x 20"W x 44"H

**MW426** - Dining Table  
42-48"W x 60-120" Long  
optional 16" End Leaves

**MWSB72** - 2 Door 3 Drawer Sideboard  
19"D x 72"W x 40"H  
2 adjustable shelves

**MWB6** - Bench  
16"D x 48-120 Long



*Millwright Table Shown  
With Optional End Leaves Inserted  
Also Available without Metal Inlay in top*

# Homestead Dining Suite

Texture: Saw Marks all over  
Standard Pulls: #210



**HS30** - Arm Chair  
24"W x 40"H

**HS20** - Side Chair  
18"W x 40"H

**HS426** - Dining Table  
42" - 48"W x 60" - 120"L

**HSSB72** - 2 Glass Door-4 Drawer Sideboard  
19"D x 72"W x 42"H  
4 Adjustable Shelves

**HSB145** - Bench  
14"D x 48" - 96"W



**HSSB72BS** - 2 Barn Door Sideboard  
19"D x 72"W x 42"H  
6 Adjustable Shelves



**HSSB72B** - 4 Drawer-2 Barn Door Sideboard  
19"D x 72"W x 42"H  
4 Adjustable Shelves



# Klondike Dining Suite

Texture: Saw Marks all over  
Standard Pulls: #210



**KL33** - Arm Chair  
25"W x 40"H

**KL22** - Side Chair  
19"W x 40"H

**KL6** - Bench  
16"D x 48" - 96"W

**KLSB57** - 3 Door 3 Drawer Sideboard  
19"D x 57"W x 40"H

**KL426ST** - Solid Top Table  
36" - 48"W x 60" - 120"L

**KL426** - End Extension Table  
36" - 48"W x 60" - 120"L + 2-16" End Leaves

**KLX426** - Center Extension Table  
36" - 48"W x 60" - 84"L



Table Shown With End Leaves Inserted

# Klondike Dining Suite

Texture: Millsawn  
Standard Pulls: #203



**KLSB74** - 4 Door-4 Drawer Sideboard

19"D x 74"W x 40"H

2 Adjustable Shelves

**KL20** - Upholstered Side Chair

18"W x 40"H

**KL48R** - Single Pedestal Table

1-3/4" Top

36" - 60" Diameter

Solid Top Only



# Laventa Tables

Texture: Smooth Sanded  
with Black Painted Base

**LV426** - Laventa Harvest Table  
42" or 48"W x 60", 72", 84", 96", 108" or 120" Long  
1 3/4" Thick Tops



**LV166** - Laventa Bench  
16"W x 48", 60", 72", 84", 96", 108" Long  
1 3/4" Thick Seats

## Small Tables

Texture: Smooth Sanded



**TS42R**  
42" Solid Top  
Pedestal Table

*Also Available:*  
**TS38R**  
38" Solid Top  
Pedestal Table



**T42R**  
42" Drop Leaf  
Pedestal Table

*Also Available:*  
**T38R**  
38" Drop Leaf  
Pedestal Table

**Also Available with Square Tops**

# Maxwell Dining Set

Texture on Table and Bench Tops: Millsawn  
Chairs: Smooth



**PAR2524** - Upholstered Parsons Chair  
20"W x 41"H

**MX427** - Metal Base Table  
36" - 48"W x 60" - 108"L

**MXB7** - Bench  
16"D x 48" - 96"W

**MSSB72** - 4 Door Sideboard  
19"D x 72"W x 36"H  
4 Adjustable Shelves



**MX54R** - Round Dining Table  
1-3/4" Top  
36" - 60" Diameter



**MXSB60** - 2 Door Sideboard  
with Wine Lattice  
19"D x 60"W x 36"H  
4 Adjustable Shelves

# Nith River Dining Tables

Texture: Vintage Base with Random Handplaned Tops



**RST2426** - Nith River Heavy Top Harvest Table  
Shown With Highback Mini Mission Chairs  
1 3/4" Top with 5 1/2" Tapered Legs  
42-48"W x 48-120"L



**RST366** - Nith River Harvest Table  
Shown With Mini Mission Chairs  
1 1/16" Top and 3 1/2" Tapered Legs  
36-48"W x 48-120" Long



*Both Tables Available with 18" End Leaves*

# Nith River Dining Tables

Texture: Vintage Base with Random Handplaned Tops



**RSTX425** - NithRiver Center Extension Harvest Table Shown  
With Shaker Chairs  
1 1/4" Top and 3 1/2" Tapered Legs  
36-42"W x 48-84" Long



*Table Shown with  
2 Center Leaves inserted*



**RSTSP42** - 42x42 Nith River Pedestal Table  
Shown With Royal Ladderback Chairs  
1 1/4" Top



**RSTSP422** - 42x42  
Single Pedestal Table with  
2 Center Leaves

*Also Available 36x36 Single  
Ped 48x48 Single Ped 60x60  
Single Ped*

# The Renoa Dining Suite

Texture: Millsawn  
Standard Pulls: #118



**ROSB72** - 2 Door, 4 Drawer Sideboard  
19"D x 72"W x 40"H  
4 adjustable shelves

**RO30** - Arm Chair 22"W x 40"H

**RO20** - Side Chair 18.5"W x 40"H

**RO427** - Dining Table 36, 42 or 48"W 5', 6', 7',  
8', 9' or 10'L

**ROB7** - Bench 14"D x 4', 5', 6', 7' or 8'L



Shown with optional  
end leaves

# Saugeen Dining Suite

Texture: Smooth Live Edge Tops & Vintage Base



**SGSV72** - Live Edge Server  
18"D x 72"W x 40"H

**SVB166** - Live Edge Bench  
16"D x 48" - 96" Long

**Live Edge Tables**  
1-3/4" Live Edge Tops  
36", 42" or 48" Wide  
60" - 120" Long

**SG20** - Saugeen Side Chair  
18-1/2"W x 38"H

**SG30** - Saugeen Arm Chair  
20"W x 38"H





# Warehouse Dining Suite

Texture: Millsawn  
Standard Pulls: #205



**WH20** - Upholstered Side Chair  
19"W x 34"H

**WHX426** - Center Extension Table  
36" - 48"W x 60" - 84"L + 2-12" Leaves

**WH426** - Solid Top Table  
36" - 48"W x 60" - 120" Long

**WHB6** -Bench  
15"D x 48" - 96"W

**WHSB60** - 2 Door-3 Drawer Sideboard  
19"D x 60"W x 36"H  
4 Adjustable Shelves



Table Shown With Center Leaves Installed



**WHSB48**  
1 Door-3 Drawer Sideboard  
19"D x 48"W x 36"H  
2 Adjustable Shelves



**WHSB72**  
4 Door Sideboard  
19"D x 72"W x 36"H  
4 Adjustable Shelves



**WHSB60 Shown With  
Optional Glass Doors**

# Yukon Turnbuckle Dining Suite

Texture: Sawmarks  
Standard Pulls: #114 & #214



**YT2270** - 3 Drawer Sideboard  
22"D x 70"W x 40"H (plus backsplash)

**YT30**- Slat Back Arm Chair  
26"W x 44"H

**YT20**- Slat Back Side Chair  
20"W x 44"H

**YT426ST** - 42 x 72 Solid Top Dining Table  
Available in 36", 42" or 48" Wide x 60"-120" Long  
Available with 12" End Extensions

**YTB166** - 16 x 72" Bench  
Available in 48" - 96" Long



**YT2252GH** - 2 Drawer Sideboard w/ Glass Door Hutch  
22"D x 52"W x 80"H

**YT2252** - 2 Drawer Sideboard Only (with black splash)  
22"D x 52"W x 40"H (plus black splash)



Yukon Turnbuckle Table Shown  
with Optional End Extensions

# Yukon Pedestal Dining Suite

Texture: Sawmarks  
Standard Pulls: #114 & #214



**YT22705** - 5 Drawer Sideboard  
22"D x 70"W x 40"H (plus backsplash)

**YT32**- Yukon Block Arm Chair  
27"W x 44"H

**YT22**- Yukon Block Side Chair  
20"W x 44"H

**YTP426ST** - 42 x 72 Solid Top Dining Table  
Available in 36", 42" or 48" Wide x 60"-120" Long  
Available with 12" End Extensions

**YTPB166** - 16 x 72" Bench  
Available in 48" - 96" Long



Yukon Pedestal Table Shown with  
Optional End Extensions

# Yukon Islands

Texture: Sawmarks  
Standard Pulls: #114 & #214



**YT13262** - Yukon Seating Island  
32"D x 62"W x 36"H  
9" Seating Overhang on 3 Sides  
1 Fixed Shelf Inside



Back View of Seating Island

**YT4024S** - Yukon Slatback Swivel Bar Chair  
18"W x 24"H or 30"H Seat + 19"H Back



**YT424236** - Yukon Pub Table  
42" Square Top x 36" High

**YT424242** - Yukon Pub Table  
42" Square Top x 42" High

**YT4224** - Yukon Block Bar Chair  
18"W x 24"H Seat + 19"H Back

**YT4230** - Yukon Block Bar Chair  
18"W x 30"H Seat + 19"H Back



**YT13848** - Yukon 4 Door Island  
38"D x 48"W x 36" High  
Seating Overhang All 4 Sides  
2 Doors Per Side-1 Fixed Shelf Inside

**YTSS24** - Yukon Saddle Stool  
12"D x 18"W x 24"H or 30"H

**YTSS24S** - Yukon Saddle Stool with SWIVEL  
12"D x 18"W x 24"H or 30"H

# Simplicity Islands & Bars

Texture: Smooth with Beading  
Standard Pulls: Wood Knob

Also available with Live Edge Tops



**SPW60** - Simplicity Wine Bar  
30"D x 60"W x 42"H  
Standard with wine lattice, glass rack, fridge compartment and foot rail



**SPS72** - Simplicity Split Level Bar  
30"D x 72"W x 42"H  
Standard with 3 inner drawers and foot rail,  
1 adjustable shelf



**SP72** - Simplicity 3 Door Island  
30"D x 72"W x 36"H  
Also Available: **SP50** - 2 Door Island 50"W  
**SP92** - 4 Door Island 92"W



# More Simplicity Islands

Texture: Smooth with Beading  
Standard Pulls: Wood Knob

Also available with Live Edge Tops



**SP66**  
Simplicity Seating Island with Feet  
30"D x 66"W x 36"H



**SP66T**  
Simplicity Split Level Island  
30"D x 66"W x 42"H



# Solid Wood Chairs



**RBOS** - Boston Rocker  
26"W x 44"H



**R3120** - Shaker Rocker  
25"W x 40"H



**SG30** - Saugen Arm Chair  
20"W x 38"H  
Smooth Texture



**SG20** - Saugen Side Chair  
18-1/2"W x 38"H  
Smooth Texture



**LBAC** - Royal Arm Chair  
24"W x 43"H  
Smooth Texture



**RSTSide** - Rustic Side Chair  
19"W x 41"H  
Smooth Texture



**RSTArm** - Rustic Arm Chair  
21"W x 41"H  
Smooth Texture



**LBSC** - Royal Side Chair  
19"W x 43"H  
Smooth Texture

**Also available with Upholstered Seats**



**2119** - Mini Mission Side Chair  
18.5"W, 40"H  
Smooth Texture



**3119** - Mini Mission Arm Chair  
23"W, 40"H  
Smooth Texture



**B2419** - Mission Bar Chair  
17"W, Back 16"H  
Smooth Texture



**2119H** - Hi Back Mini Mission Side Chair  
18.5"W, 42"H  
Smooth Texture



**3119H** - Hi Back Mini Mission Arm Chair  
23"W, 42"H  
Smooth Texture



**B2419-S** - Mission Swivel Bar Chair  
17"W, Back 16"H  
Smooth Texture



**WB20** - Westbrooke Side  
18"W x 39"H  
Smooth Texture



**WB30** - Westbrooke Arm  
23"W x 39"H  
Smooth Texture



**AV20** - Avenue Side Chair  
19"W x 36"H  
Windswept Texture



**Also available with Upholstered Seats**



**BW20** - Backwoods Side  
18"W x 42"H  
Millsawn Texture



**BW30** - Backwoods Arm  
22"W x 42"H  
Millsawn Texture



**MS22** - Century Side  
Upholstered  
18"W x 43"H  
Millsawn Texture



**MS33** - Century Arm  
Upholstered  
22"W x 43"H  
Millsawn Texture



**2120** - Shaker Side Chair  
18"W, 43"H  
Smooth Texture



**3120** - Shaker Arm Chair  
25"W, 43"H  
Smooth Texture



**B2420** - Shaker Bar Chair  
18"W, Back 21"H  
Smooth Texture



**2120L** - Low Shaker Side Chair  
18"W x 39"H  
Smooth Texture



**3120L** - Low Shaker Arm Chair  
25"W x 39"H  
Smooth Texture



**2220** - Shaker Ladder Back  
18"W x 43"H  
Smooth Texture

Also available with Upholstered Seats



**BZ20** - Bonanza Side  
18"W x 39"H  
Millsawn Texture



**BZ30** - Bonanza Arm  
24"W x 39"H  
Millsawn Texture



**HS20** - Homestead Side  
18"W x 40"H  
Sawmarks Texture



**HS30** - Homestead Arm  
26"W x 40"H  
Sawmarks Texture



**MW20** - Millwright Side  
20"W x 44"H  
Millsawn Texture



**MW30** - Millwright Arm  
26"W x 44"H  
Millsawn Texture



**RO20** - Renoa Side Chair  
18.5"W x 40"H  
Millsawn Texture



**RO30** - Renoa Arm Chair  
23"W x 40"H  
Millsawn Texture



**H20** - Hardwick Side  
19"W x 40"H  
Millsawn Texture



**HW30** - Hardwick Arm  
25"W x 40"H  
Millsawn Texture



**PAR2524** - Parsons Chair  
20"W x 41"H  
Upholstered



**WH20** - Warehouse Side  
19"W x 34"H  
Upholstered

**Also available with Upholstered Seats**



**YT32** - Yukon Block Arm Chair  
27"W x 44"H  
Sawmark Texture



**YT22** - Yukon Block Side Chair  
22"W x 44"H  
Sawmark Texture



**YT20** - Yukon Slat Side  
20"W x 44"H  
Sawmark Texture



**YT30** - Yukon Slat Arm  
26"W x 44"H  
Sawmark Texture



**YT4024** - Yukon Slat Bar Chair  
18"W x 16"D - Back 19"H  
24-30"H Seat  
Sawmark Texture



**YT4230** - Yukon Block Bar Chair  
18"W - Back 19"H  
24-30"H Seat  
Sawmark Texture



**RF20S** - Dakota Small  
Slat Side  
19"W x 40"H  
Vintage Texture



**RF30S** - Dakota  
Small Slat Arm  
25"W x 40"H  
Vintage Texture



**RF21** - Dakota  
Ladder Back Side  
19"W x 40"H  
Vintage Texture



**RF31** - Dakota  
Ladder Back Arm  
25"W x 40"H  
Vintage Texture

**Also available with Upholstered Seats**



**RF20** - Dakota Slat Side  
20"W x 44"H  
Vintage Texture



**RF30** - Dakota Slat Arm  
26"W x 44"H  
Vintage Texture



**RF4024** - Dakota Slat  
Bar Chair  
18"W - Back 19"H  
24-30" to seat



**RF4124** - Dakota Ladder Back  
Bar Chair  
18"W - Back 19"H  
24-30" to seat



**RF4024S** - Dakota Swivel  
Bar Chair  
18"W - Back 19"H  
Vintage Texture



**PL20** - Pallisade Side  
18.5"W x 42"H  
Smooth Texture



**PL30** - Pallisade Arm  
23"W x 42"H  
Smooth Texture



**KL22** - Klondike Side  
19"W x 40"H  
Millsawn Texture



**KL33** - Klondike Arm  
25"W x 40"H  
Millsawn Texture



**KL20** - Klondike Side  
19"W x 40"H  
Millsawn Texture



**KL20** - Back View

# Saddle Benches

Texture: Vintage



**RFSS543**  
Dakota 3 Seat Saddle Bench  
12"W x 18"H x 54" Long



**RFSS724**  
Dakota 4 Seat Saddle Bench  
12"W x 18"H x 72" Long



**RFSS362** - Dakota 2 Seat Saddle Bench  
12"W x 18"H x 36" Long



**Benches also available with flat seats**

# Stools



**SS24** - 24" Saddle Stool  
**SS26** - 26" Saddle Stool  
**SS30** - 30" Saddle Stool  
Seat 13" x 16"  
**SS18** - 18" Saddle Stool  
Smooth Texture



**YTSS24S**  
Yukon Saddle Stool  
w/ Swivel Seat  
24" to 30"H  
Sawmarks Texture



**YTSS24**  
Yukon Saddle Stool  
Seat 12" x 18"  
24" to 30"H  
Sawmarks Texture



**IPT24**  
Implement Stool  
13"D x 17"W  
24" to 30"H  
Smooth Texture

# Loveseats



**8120** - Shaker Storage Bench  
42"L, 44"H  
Smooth Texture



**8119** -Mission Love Seat  
42"L, 40"H  
Smooth Texture

# Love Seats & Hall Benches



**HB1830** - Dakota Hall Bench  
with Mirrors  
30"W x 18"D x 78"H  
Saw Marks All Over



**CBS48** - Cubby Shelf  
48"W x 12"D x 18"H  
Smooth Texture



**RF80HS**  
Dakota Hiback Storage Bench  
48"L x 24"D x 56"H  
Lift-up lid and Cedar Bottom  
Vintage Texture w/ Sawmarks Seat



**CB48** - Cubby Bench  
48"W x 16"D x 21"H  
Smooth Texture



**RF81** - Ladderback Loveseat  
48"L x 21"D x 40"H  
Vintage Texture w/ Sawmarks Seat



**RF80** - Slat Back Love Seat  
48"L x 22"D x 44"H  
Vintage Texture w/ Sawmarks Seat

