

RainSoft®

Taking the Worry Out of Water ...Since 1953

EC5 SERIES WATER TREATMENT SYSTEM

Owner's Manual



This product is manufactured in an ISO 9001: 2008 certified facility.



The EC5 series is tested and certified by the WQA to NSF/ANSI 44 for the specific performance claims as verified and substantiated by test data. See the performance data sheet for specific reduction claims.

The EC5 series is tested and certified by WQA to NSF/ANSI 372 for "lead free" compliance.

The EC5 series is tested and certified by WQA to CSA B483.1 Standard.

Table of Contents

Information on Water Treatment Systems	3
Application Limitations.....	3
Operational Specifications	4-6
Salt Requirements.....	7
Resin Cleaners.....	7
Maintenance Requirements	7
Product Certification Information	7
Installation Instructions	8-12
System Start Up	12-14
An Overview of the Regeneration Process.....	15-16
Navigating the menus.....	17-18
Salt Level	18
System Information/Start Regeneration	18-19
Configure Setting.....	21-22
Wi-Fi Setting.....	23-24
Troubleshooting Guide	25
Exploded Views and Parts Lists	26-29
Performance Data Sheets	30-32
Warranty Information.....	33

Congratulations on your purchase of a RainSoft water treatment system.

This Owner's Manual is designed to assist with the operation, maintenance, and installation of your water treatment system. It is our sincere hope that this manual is clear, concise, and helpful to you as a new owner.

Questions? If you have any questions regarding the installation, operation, or servicing of this system, please contact your local RainSoft Dealer. Your local RainSoft Dealer is familiar with your particular water conditions, and is able to address your concerns promptly and efficiently.

Information on Water Treatment Systems


There are many misconceptions that have been developed about water treatment systems. The most common topic of confusion is the amount of sodium (Na), not table salt (NaCl), that is added to the water from a water conditioner. In reality, ion exchange does replace the hardness ions in your water with sodium ions, but the common misconception is the amount used.


For every 1 grain of hardness, the exchange process will deliver approximately 8 milligrams of sodium per 1 liter of water. The amount of sodium present in a standard 8 ounce glass of treated water, that was 10 grains hard prior to treatment, would be around 19 milligrams of sodium. This is an insignificant amount of sodium considering a typical slice of white bread has about 140 milligrams.


Another common misconception that needs mentioning is the amount of salt used by the conditioner to regenerate the system. In the past, water conditioners used more salt to regenerate, but that was due to old technology and standards. Water conditioners do use salt for regeneration, but the amount of salt varies by water consumption and hardness levels. Fortunately, today's technology allows us to dispense just the right amount of salt for maximum efficiency, based on your individual water consumption needs.

Application Limitations


- On hardness levels of 60 grains and higher, the system may not achieve a hardness of less than 1 grain; due to high Total Dissolved Solids, some bleed through is possible. Bleed through can also be caused by sodium levels higher than 1000 parts per million. In either case, your system can be programmed to minimize these effects. See your RainSoft Dealer for details.
- Chlorine or Chloramine levels on municipality treated water should not exceed 4 parts per million.* When Chlorine or Chloramine levels are 4 parts per million* or greater, it can have adverse effects on your system. In applications where high levels are a concern, pre-filtration is necessary to reduce the Chlorine or Chloramine to an acceptable level. See your RainSoft Dealer for details.
- When this system is installed on water with Ferrous iron, also known as clear water iron, the maximum range of removal is based on local water conditions. The range is generally 2 to 10 parts per million. Your equipment may require special programming, along with an additive to the brine tank, to maximize the equipment's ability to remove iron. See your RainSoft Dealer for details.

 **Helpful Tip: Another common misconception of water treatment systems is the idea that soft water will produce clear ice cubes. Cloudy or white, hazy ice cubes are caused by air that is slowly being released from the water during the freezing process, which has nothing to do with the performance of your system.**

 **Important Note: This system may be installed on well water or municipality treated water supplies.**

 **Important Note: Most municipality treated water supplies contain Chlorine as a disinfectant. Many municipalities also inject ammonia into the water supply, creating Chloramine.**

* **Maximum disinfectant level of Chlorine or Chloramine recommended from the EPA.**

 **Important Note: Iron fouled resin is not eligible for warranty replacement.**

Operational Specifications

Plumbing

3/4 inch to 1 1/4 inch I.D.

Drain Line

1/2 inch I.D.

Water Pressure

20 psi–120 psi (1.38 bar – 6.89 bar)

Operating Temperatures

40° F–100° F (4.4° C – 37.8° C)

Electrical Requirements

A properly grounded alternating current supply (110 VAC 60 Hz or 230 VAC 50 Hz) is required for the operation of this system.

Bypass Valve

The bypass valve enables you to bypass the system in situations of: emergency leaks in the equipment, service calls.

Existing Plumbing Conditions

Plumbing should be free from lime and/or iron buildup. Piping that contains large amounts of lime and/or iron should be replaced.

Additional Specifications

- Do not install this system where water is microbiologically unsafe or of unknown quality without adequate disinfection before or after the system.
- This system must be installed in accordance with all applicable state and local laws and regulations.
- The Commonwealth of Massachusetts Plumbing Code 248 CMR shall be adhered to. A licensed plumber shall be used for this installation.
- This system must be installed in an area not affected by extreme heat, cold or the elements. The selected installation area must be adequate for easy service and accessibility.
- This system is designed to treat cold water only. The installation must be on a cold water supply.

! Important Note: This system requires the use of the included power supply (24 VDC).

! Important Note: The manually operated bypass valve enables the conditioner to be isolated from the water service line for maintenance and service. It also maintains the continuity of the water supply when the conditioner is disconnected.

Data Chart for ION-X 2000 V Resin

Model	Tank Size (inches)	Cation Exchange Resin (cu. ft.)	Max. Service Flow (gpm)	Drain Flow (gpm)	psi Drop	High Salting	Medium Salting	Low Salting	Efficiency*
EC5 50 V	8 x 44	0.5	10	1.5	14.0	17,400@ 7.5 lbs.	14,200 @ 5.0 lbs.	6,600 @ 1.5 lbs.	4,400 @ 1.5 lbs.
EC5 50 CV	8 x 44	0.5	10	1.5	13.0	17,400@ 7.5 lbs.	15,500 @ 5.0 lbs.	6,600 @ 1.5 lbs.	4,400 @ 1.5 lbs.
EC5 60SS V	10 x 18	0.6	9.5	2.0	9.0	19,000@ 9.0 lbs.	15,500 @ 6.0 lbs.	7,200 @ 1.8 lbs.	4,010 @ 1.8 lbs.
EC5 60SS CV	10 x 18	0.6	9.5	2.0	8.0	19,000@ 9.0 lbs.	15,500 @ 6.0 lbs.	7,200 @ 1.8 lbs.	4,010 @ 1.8 lbs.
EC5 60S V	10 x 35	0.6	9.5	2.0	9.0	19,000@ 9.0 lbs.	15,500 @ 6.0 lbs.	7,200 @ 1.8 lbs.	4,010 @ 1.8 lbs.
EC5 60S CV	10 x 35	0.6	9.5	2.0	8.0	19,000@ 9.0 lbs.	15,500 @ 6.0 lbs.	7,200 @ 1.8 lbs.	4,010 @ 1.8 lbs.
EC5 75 V	8 x 44	0.75	8.6	1.5	15.0	26,100 @ 11.2 lbs.	21,300 @ 7.5 lbs.	9,900 @ 2.25 lbs.	4,400 @ 2.25 lbs.
EC5 75 CV	8 x 44	0.75	9.2	1.5	15.0	26,100 @ 11.2 lbs.	21,300 @ 7.5 lbs.	9,900 @ 2.25 lbs.	4,400 @ 2.25 lbs.
EC5 100 V	10 x 44	1.0	10.0	2.0	10.0	34,500 @ 15.0 lbs.	30,500 @ 10.0 lbs.	14,200 @ 3.0 lbs.	4,750 @ 3.0 lbs.
EC5 100 CV	10 x 44	1.0	10.0	2.0	11.0	34,500 @ 15.0 lbs.	30,500 @ 10.0 lbs.	14,200 @ 3.0 lbs.	4,750 @ 3.0 lbs.
EC5 100S V	10 x 35	1.0	10.0	2.0	10.0	34,500 @ 15.0 lbs.	30,500 @ 10.0 lbs.	14,200 @ 3.0 lbs.	4,750 @ 3.0 lbs.
EC5 100S CV	10 x 35	1.0	10.0	2.0	11.0	34,500 @ 15.0 lbs.	30,500 @ 10.0 lbs.	14,200 @ 3.0 lbs.	4,750 @ 3.0 lbs.
EC5 150 V	10 x 54	1.5	9.0	2.0	10.0	51,800 @ 22.5 lbs.	45,800 @ 15.0 lbs.	21,400 @ 4.5 lbs.	4,750 @ 4.5 lbs.
EC5 150 CV	10 x 54	1.5	10.4	2.0	15.0	51,800 @ 22.5 lbs.	45,800 @ 15.0 lbs.	21,400 @ 4.5 lbs.	4,750 @ 4.5 lbs.
EC5 250 V	13 x 54	2.5	10.4	3.0	10.0	86,300 @ 37.5 lbs.	76,400 @ 25.0 lbs.	35,600 @ 7.5 lbs.	4,750 @ 7.5 lbs.
EC5 250 CV	13 x 54	2.5	10.5	3.0	12.0	86,300 @ 37.5 lbs.	76,400 @ 25.0 lbs.	35,600 @ 7.5 lbs.	4,750 @ 7.5 lbs.
EC5 400 V	14 x 65	4.0	10.0	4.0	10.0	138,100 @ 60.0 lbs.	122,200 @ 40.0 lbs.	57,000 @ 12.0 lbs.	4,750 @ 12.0 lbs.
EC5 400 CV	14 x 65	4.0	11.3	4.0	14.0	138,100 @ 60.0 lbs.	122,200 @ 40.0 lbs.	57,000 @ 12.0 lbs.	4,750 @ 12.0 lbs.
EC5-CAB 60SS V	10 x 18	0.6	9.5	2.0	9.0	19,000@ 9.0 lbs.	15,500 @ 6.0 lbs.	7,200 @ 1.8 lbs.	4,010 @ 1.8 lbs.
EC5-CAB 60SS CV	10 x 18	0.6	9.5	2.0	8.0	19,000@ 9.0 lbs.	15,500 @ 6.0 lbs.	7,200 @ 1.8 lbs.	4,010 @ 1.8 lbs.
EC5-CAB 60 V	10 x 35	0.6	9.5	2.0	9.0	19,000@ 9.0 lbs.	15,500 @ 6.0 lbs.	7,200 @ 1.8 lbs.	4,010 @ 1.8 lbs.
EC5-CAB 60 CV	10 x 35	0.6	9.5	2.0	8.0	19,000@ 9.0 lbs.	15,500 @ 6.0 lbs.	7,200 @ 1.8 lbs.	4,010 @ 1.8 lbs.
EC5-CAB 100 V	10 x 35	1.0	10.0	2.0	10.0	34,500 @ 15.0 lbs.	30,500 @ 10.0 lbs.	14,200 @ 3.0 lbs.	4,750 @ 3.0 lbs.
EC5-CAB 100 CV	10 x 35	1.0	10.0	2.0	12.0	34,500 @ 15.0 lbs.	30,500 @ 10.0 lbs.	14,200 @ 3.0 lbs.	4,750 @ 3.0 lbs.

The conditioners are efficiency rated according to NSF/ANSI 44. The efficiency of the conditioner is valid only at the stated salt dosage.

Higher or lower pressure will affect the efficiency of the system.

Data Chart for ION-X 100 T Resin

Model	Tank Size (inches)	Cation Exchange Resin (cu. ft.)	Max. Service Flow (gpm)	Drain Flow (gpm)	psi Drop	High Salting	Medium Salting	Low Salting	Efficiency*
EC5 50 T	8 x 44	0.5	10	1.5	12.0	10,800 @ 7.5 lbs.	9,200 @ 5.0 lbs.	4,400 @ 1.5 lbs.	n/a
EC5 50 CT	8 x 44	0.5	10	1.5	13.0	10,800 @ 7.5 lbs.	9,200 @ 5.0 lbs.	4,400 @ 1.5 lbs.	n/a
EC5 60SS T	10 x 18	0.6	10	2.0	9.0	11,900 @ 9.0 lbs.	10,000 @ 6.0 lbs.	4,800 @ 1.8 lbs.	n/a
EC5 60SS CT	10 x 18	0.6	10	2.0	9.0	11,900 @ 9.0 lbs.	10,000 @ 6.0 lbs.	4,800 @ 1.8 lbs.	n/a
EC5 60S T	10 x 35	0.6	10	2.0	9.0	11,900 @ 9.0 lbs.	10,000 @ 6.0 lbs.	4,800 @ 1.8 lbs.	n/a
EC5 60S CT	10 x 35	0.6	10	2.0	9.0	11,900 @ 9.0 lbs.	10,000 @ 6.0 lbs.	4,800 @ 1.8 lbs.	n/a
EC5 75 T	8 x 44	0.75	9.9	1.5	14.0	16,300 @ 11.2 lbs.	13,800 @ 7.5 lbs.	6,600 @ 2.25 lbs.	n/a
EC5 75 CT	8 x 44	0.75	9.4	1.5	15.0	16,300 @ 11.2 lbs.	13,800 @ 7.5 lbs.	6,600 @ 2.25 lbs.	n/a
EC5 100 T	10 x 44	1.0	10.0	2.0	10.0	30,500 @ 15.0 lbs.	26,100 @ 10.0 lbs.	13,500 @ 3.0 lbs.	4,516 @ 3.0 lbs.
EC5 100 CT	10 x 44	1.0	10.0	2.0	11.0	30,500 @ 15.0 lbs.	26,100 @ 10.0 lbs.	13,500 @ 3.0 lbs.	4,516 @ 3.0 lbs.
EC5 100S T	10 x 35	1.0	10.0	2.0	10.0	30,500 @ 15.0 lbs.	26,100 @ 10.0 lbs.	13,500 @ 3.0 lbs.	4,516 @ 3.0 lbs.
EC5 100S CT	10 x 35	1.0	10.0	2.0	11.0	30,500 @ 15.0 lbs.	26,100 @ 10.0 lbs.	13,500 @ 3.0 lbs.	4,516 @ 3.0 lbs.
EC5 150 T	10 x 54	1.5	9.6	2.0	12.0	45,700 @ 22.5 lbs.	39,200 @ 15.0 lbs.	20,300 @ 4.5 lbs.	4,516 @ 4.5 lbs.
EC5 150 CT	10 x 54	1.5	9.6	2.0	13.0	45,700 @ 22.5 lbs.	39,200 @ 15.0 lbs.	20,300 @ 4.5 lbs.	4,516 @ 4.5 lbs.
EC5 150 CT	10 x 54	1.5	9.6	2.0	13.0	45,700 @ 22.5 lbs.	39,200 @ 15.0 lbs.	20,300 @ 4.5 lbs.	4,516 @ 4.5 lbs.
EC5 250 T	13 x 54	2.5	11.4	3.0	12.0	76,200 @ 37.5 lbs.	65,400 @ 25.0 lbs.	33,800 @ 7.5 lbs.	4,516 @ 7.5 lbs.
EC5 250 CT	13 x 54	2.5	11.2	3.0	13.0	76,200 @ 37.5 lbs.	65,400 @ 25.0 lbs.	33,800 @ 7.5 lbs.	4,516 @ 7.5 lbs.
EC5 400 T	14 x 65	4.0	10.8	4.0	12.0	122,000 @ 60.0 lbs.	104,700 @ 40.0 lbs.	54,100 @ 12.0 lbs.	4,516 @ 12.0 lbs.
EC5 400 CT	14 x 65	4.0	10.8	4.0	12.0	122,000 @ 60.0 lbs.	104,700 @ 40.0 lbs.	54,100 @ 12.0 lbs.	4,516 @ 12.0 lbs.
EC5-CAB 60 T	10 x 35	0.6	10	2.0	9.0	11,900 @ 9.0 lbs.	10,000 @ 6.0 lbs.	4,800 @ 1.8 lbs.	n/a
EC5-CAB 60 CT	10 x 35	0.6	10	2.0	9.0	11,900 @ 9.0 lbs.	10,000 @ 6.0 lbs.	4,800 @ 1.8 lbs.	n/a
EC5-CAB 60SS T	10 x 18	0.6	10	2.0	9.0	11,900 @ 9.0 lbs.	10,000 @ 6.0 lbs.	4,800 @ 1.8 lbs.	n/a
EC5-CAB 60SS CT	10 x 18	0.6	10	2.0	9.0	11,900 @ 9.0 lbs.	10,000 @ 6.0 lbs.	4,800 @ 1.8 lbs.	n/a
EC5-CAB 100 T	10 x 35	1.0	10.0	2.0	10.0	30,500 @ 15.0 lbs.	26,100 @ 10.0 lbs.	13,500 @ 3.0 lbs.	4,516 @ 3.0 lbs.
EC5-CAB 100 CT	10 x 35	1.0	10.0	2.0	11.0	30,500 @ 15.0 lbs.	26,100 @ 10.0 lbs.	13,500 @ 3.0 lbs.	4,516 @ 3.0 lbs.

* The conditioners are efficiency rated according to NSF/ANSI 44. The efficiency of the conditioner is valid only at the stated salt dosage.

Higher or lower pressure will affect the efficiency of the system.

Salt Requirements

Two salt types are recommended for water conditioners:

Block Salt: Water conditioner block salt is reasonably priced, low in impurities, and will not cake in the salt container.

Solar Salt: Solar salt is reasonably priced and low in impurities.

Resin Cleaners

It is always wise to provide preventative maintenance for your system. If small amounts of iron are present in your water, use a salt containing iron remover or add RainSoft water conditioner cleaner to the salt tank when adding salt. If an excessive amount of iron is present in your water, we recommend the installation of an iron filter before the conditioner. See your RainSoft Dealer for details.

Maintenance Requirements

Cleaning the Regeneration Valve

The regeneration valve body is designed to last a lifetime, but from time to time it may be necessary to clean and lubricate the moving parts. Your water quality and the amount of regenerations necessary will affect this maintenance schedule. Your local RainSoft Dealer is knowledgeable in the different water qualities and will have the necessary parts to complete this service.

Testing Your Water

If you are relying on this system for barium and radium reduction, we recommend testing your water periodically (2 times a year) with a hardness test strip (supplied) to ensure that the system is performing properly, and that hardness, barium, and radium are being reduced*. Additional hardness test strips are available at no charge from RainSoft. Please call 1-800-860-7638 for your free two year supply.

In between testing, you can easily monitor the system's performance in the shower or while washing your hands. The feeling of soft water should be present on your skin.

Product Certification Information

The EC5 Series is tested and certified by the WQA to NSF/ANSI Standard 44 for the specific performance claims as verified and substantiated by test data. Please refer to the performance data sheets for specific reductions claims.

The EC5 Series is tested and certified by WQA to NSF/ANSI 372 for "lead free" compliance.

The EC5 Series is tested and certified by WQA to CSA B483.1 Standard.

! Important Note: Rock salt is not recommended for RainSoft water conditioners. If rock salt is used, the salt container must be cleaned out periodically. DO NOT USE GRANULATED SALT! The use of granulated salt may cause service problems.

Helpful Tip: Resin cleaner will prevent the treatment media from becoming iron fouled.

! Important Note: If you use a cleaner containing nitric acid or other strong oxidizing agents, please use caution and follow instructions carefully.

Helpful Tip: We recommend that this service be performed every three years or earlier if necessary.

! Important Note: The supplied test strip only tests for hardness. A reduction of hardness is also an indication that barium and radium are being reduced*.

*** Only the following models are registered for barium and radium reduction in the State of California. EC5 75 CV, EC5 100 CV and EC5 150 CV. All other models are not registered in the State of California for the purpose of making health claims.**

Installation Instructions

1. Safety Precautions

- To prevent an accident and/or injury, do not hoist the unit over your shoulder. Use a hand truck to transport the unit.
- Do not lay the unit on its side.
- Wear safety glasses and work gloves during installation.

2. Test the Raw Water

- If water contains iron, manganese or hydrogen sulfide, a separate iron removal system is suggested to be installed prior to the conditioner, consulting with your local dealer.

3. Check the Water Pressure

- Use a pressure gauge to confirm that the water pressure does not exceed 120 psi. If the water pressure does exceed this limit, install a pressure regulator on the inlet pipe of the unit. The minimum water pressure for a conditioner is 20 psi. 60 psi is the optimum operating pressure.

4. Locate a Site for the System

- There are three primary requirements needed for a site: the main water source, an air-gap drain and a grounded electrical connection. Locate the system as close to these items as practical. Drain lines over 50 feet long, may need to be increased in size to allow proper flow.
- Place the system in the desired location. The location should have a level, smooth, and clean surface.
- If the system is located outdoors, protect the unit from direct sunlight. Direct sunlight can damage the fiberglass and other system components. If necessary, build a box or shed.

5. Install the Valve Head

- Remove the cap plug from the tank.
- Lubricate the riser pipe O-ring and tank O-ring with the Dow 111 silicone-based lubricant or equivalent.
- Attach the supplied upper basket to the bottom of the control valve; twist to lock in place. Do not use if water contains any amount of iron.

! Important Note: For Massachusetts Residents Only: The Commonwealth of Massachusetts Plumbing Code 248 CMR shall be adhered to. A licensed plumber shall be used for this installation.

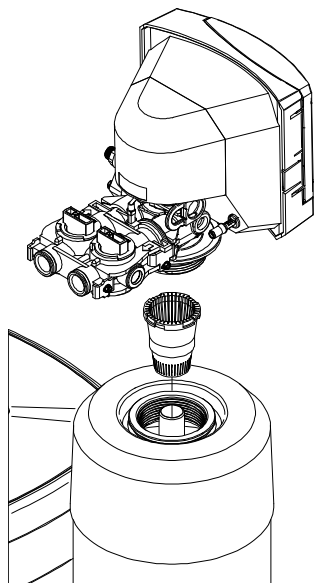
! Helpful Tip: The drain may be a floor drain, a sewer trap, utility sink, vent stack, dry well, etc., depending on local plumbing codes.

! Important Note: The system can only be installed outdoors in climates that do not reach freezing levels.

! Important Note: Not Applicable for EC5-CAB and SS Models.

! Important Note: Do not over-tighten the valve to the tank.

Figure 1



- Align the upper basket with the riser pipe and slowly lower the control valve onto the riser pipe, using a twisting motion.
- Align the control valve with the tank. Push down on the control valve and continue to turn it clockwise until the valve o-ring seals against the tank.

6. Turn Off the Water and Drain the Plumbing

- Turn off the water at the meter or the pressure tank.
- To drain the plumbing system, open all faucets in the house and flush the toilets. The water will drain out of the lowest faucet or outlet.
- Do not sweat pipes with water in them or while attached to the system; steam will damage the plastic parts in the valve.
- Do not point the soldering torch directly at the mineral tank or control valve. These composite materials will last a lifetime, but cannot withstand the intense heat from a torch.
- Avoid short connections of pipe between the system and the water heater. If you can't avoid a short connection, move the system to another location. As a last resort, install a heat trap or check valve. If this causes "water hammer", install a water hammer suppressor.

Helpful Tip: This procedure will allow air to enter the plumbing system.

Important Note: Applicable for copper plumbing installations.

Important Note: Short connections of pipe may allow hot water to back up into the system.

7. Provide Untreated Water for Irrigation or Outdoor Watering

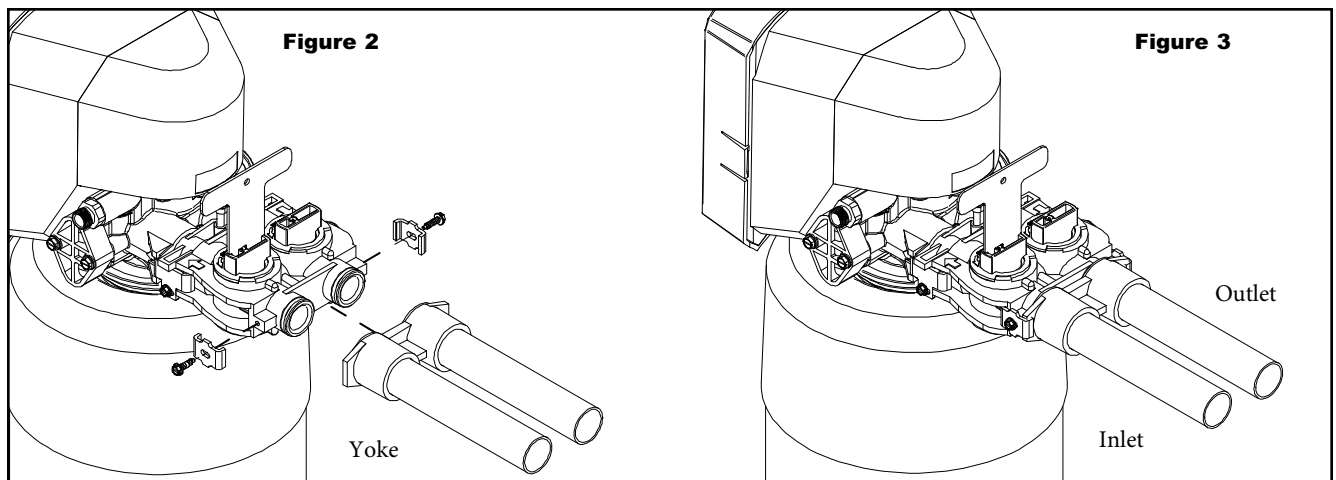
- If available, run an untreated water line to outside faucet or provide a hose connection on untreated line prior to system.

8. Install the Pipe Connector (Yoke) to the Bypass Valve

- Once the plumbing is complete, connect the yoke to the bypass valve (see figure 2).
- Support all plumbing connected to the yoke.
- Connect the raw water supply to the inlet pipe connection of the yoke. When looking at the front of the system, the inlet is the pipe connection on the right side of the valve (see figure 3). The arrow molded into valve indicates the direction of flow.
- Connect the treated water pipe to the outlet pipe connection on the yoke. When looking at the front of the system, the outlet is the pipe connection on the left side of the valve (see figure 3). The arrow molded into the valve indicates the direction of flow.

Important Note: The bypass valve is not designed to withstand heat from soldering or twisting from the attached threaded connections.

Important Note: Too much weight on the plumbing connections will cause a leak.



- Ensure that the bypass valve is in Bypass position. The valve handles should be perpendicular to the pipes (see figure 4).

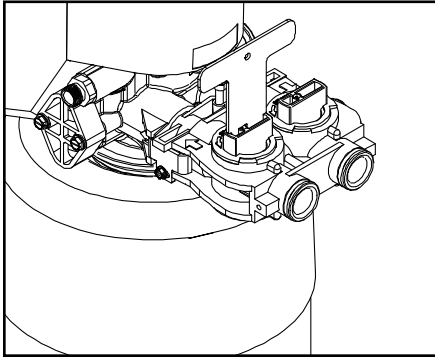
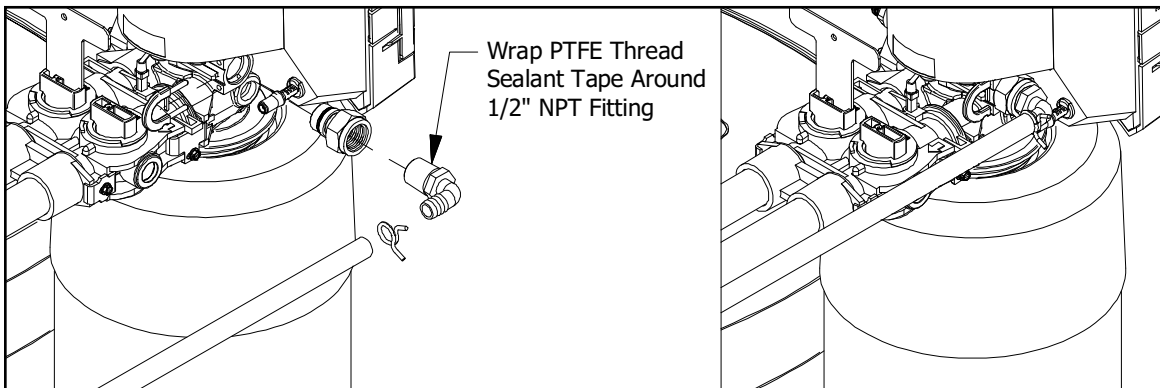


Figure 4

9. Install the Drain Line and Air Gap (Air Gap Not Supplied)

- For all drain lines, use at least a 1/2 inch I.D. line.
- Connect the drain line to the drain outlet on back of the valve, opposite the inlet connection (see figure 5). A fitting is required to connect the female pipe thread to the drain line.

Figure 5



- Run the drain line to the air gap. The air gap must be installed between the end of the drain line and the drain to prevent possible back siphoning (see fig 6)

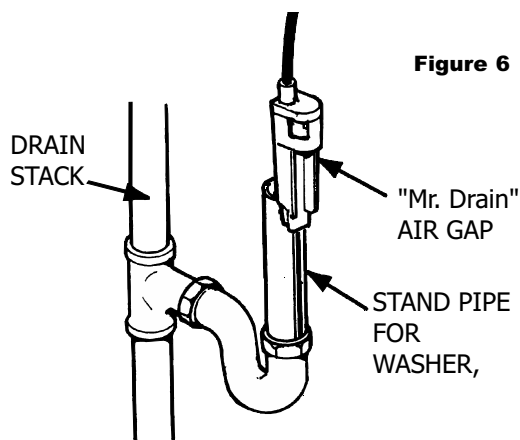


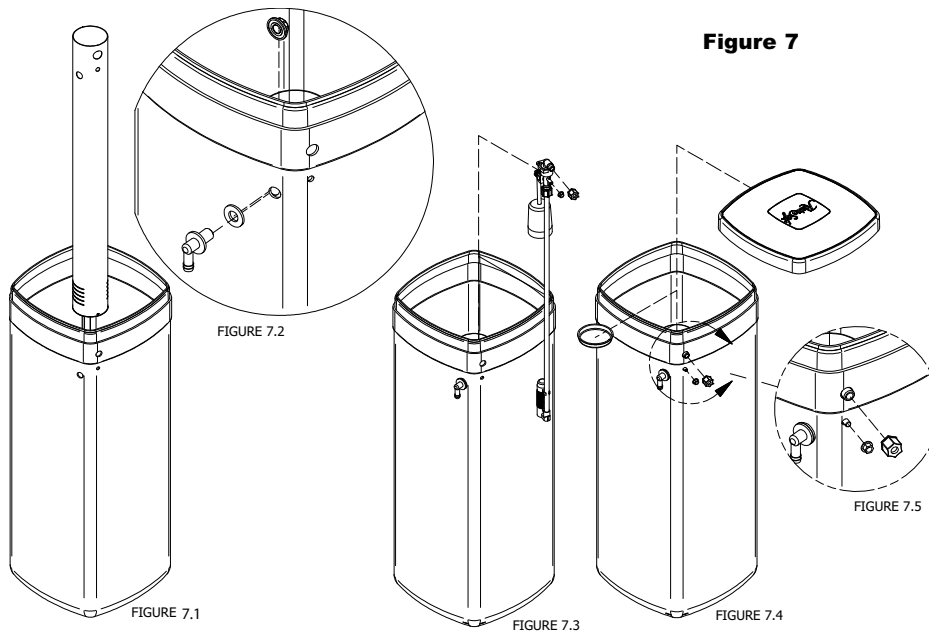
Figure 6

! Important Note: The air gap should be two times the diameter of the drain line or a minimum of two inches. Please check your local plumbing codes to ensure compliance.

10. Install the Brine Safety Float

- Insert the brine well into the brine tank (see figure 7.1).
- Attach the brine well to the brine tank with the overflow elbow (see figure 7.2).
- Insert the safety float into the brine well. The top of the safety float should be about 5 inches from the overflow elbow (see figure 7.3).

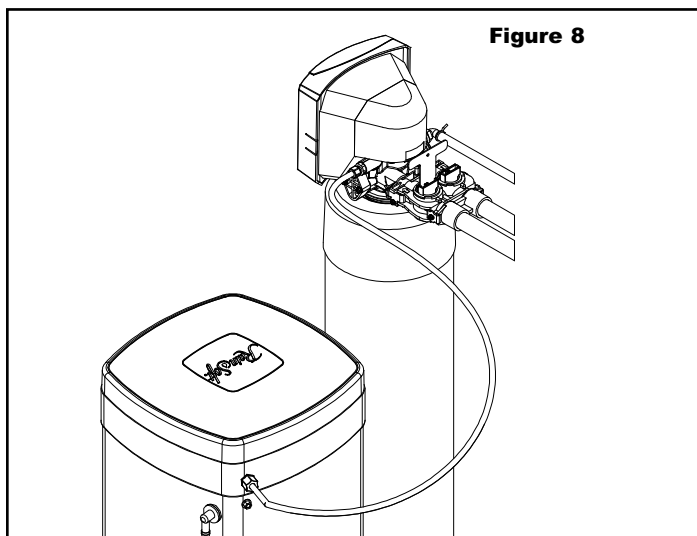
! Important Note: Not Applicable for EC5-CAB Models.



11. Install the Brine Line

- Slide the brass compression nut over the end of the brine line, followed by the ferrule and tube support. Attach the brine line to the brass fitting on the right side of the valve (see figure 8).
- Insert a tube support into the other end of the brine line and push the brine line into the brine safety float elbow. Use a locking clip to secure the connection (see figure 8)

! Important Note: Not Applicable for EC5-CAB Models.



! Important Note for EC5-CAB Models: The overflow elbow is located on the back of the brine cabinet tank (not shown).

! Important Note: The brine overflow line must not be higher than the overflow elbow on the brine tank. (This is a gravity overflow.) This line is used only when other overflow valves fail.

12. Install the Brine Overflow Line (indoors)

- Run a 1/2 inch I.D. brine overflow line from the overflow elbow on the side of the brine tank to an approved drain (see figure 8).

13. Attach the Electrical Connection

- Insert the barrel plug from the DC power supply into the mating jack in the back of the control box .
- Plug the DC power supply into a 110 VAC 60 Hz or 230 VAC 50 Hz outlet.

System Start Up

1. Turn on the Water and Check for Leaks

- Close all faucets and turn the water back on at the water meter or pressure tank.
- Check for leaks. If a leak is present, drain the plumbing again before soldering.

2. Flush the Remaining Debris from the System

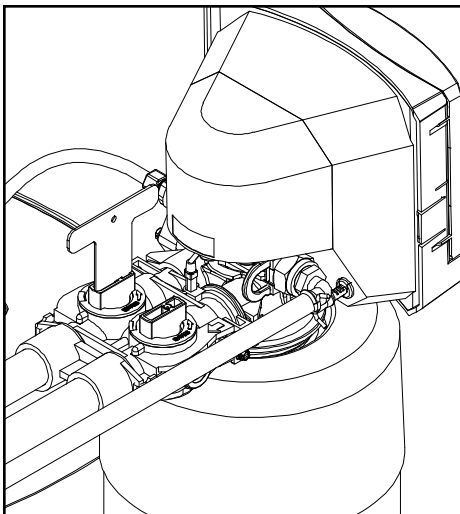
- Open the cold water faucet on your bathtub.
- Allow the system to flush the remaining dirt and debris into the bathtub, until the water runs clear.
- Open all remaining faucets and allow the plumbing to release any trapped air in the system.
- Close all of the faucets.


3. Open the Bypass Valve

- Move the bypass valve handles to the service position. The valve handles should be parallel to the pipes (see figure 9).
- Open a cold water tap and allow the appliance to flush for 20 minutes or until approximately 100 gallons has passed through the appliance.

 **Helpful Tip: This procedure will prevent dirt and debris from entering the valve.**

Figure 9



 **Helpful Tip: It is common for new systems to have some color in the water. The color should disappear after you completely flush the system.**

4. Flush the Hot Water Heater

- Run hot water in the bathtub until the water tests soft.

5. Add Salt to Brine Tank

Salt Recommendations

RainSoft Water conditioners use water softener Block Salt, Solar Salt (Pellet), or Potassium Chloride. Your Dealer will provide a recommended type of salt to use. Go to the Main Menu, > Configure Settings, > Salt Settings, to change your Salt Type (Sodium or Potassium) and Salt Form (Pellet or Block)

Adding Salt to your Brine Tank

- 1) Fill your Salt Tank with Block Salt, Solar Salt (Pellet) or Potassium Chloride. The RainSoft standard brine tank can hold a max of 250 lbs. [113kg] or LEVEL 5.0 of Pellet form Salt and 200 lbs. [90kg] or Level 4.0 of Block form Salt.
 - Solar Salt and Potassium Chloride generally come in 40 lbs. Pellet Form Bags. Fill tank with pellets by emptying contents right into center of brine tank.
 - Block Salt comes in 25 lbs. blocks or 50 lbs. blocks. See Block Stacking Figures on page 14 for correct and incorrect stacking of block salt.
- 2) On your EC5, press any button from the home screen to enter the Main Menu, then select >SALT LEVEL, Press Enter or Right Arrow button. Using the Up and Down Arrows, set the Salt Level to the level of salt that is filled in the brine tank. You can reference the weight of salt you entered for more precise entering of amount of salt used. Level of 1.0 is equal to 50 lbs. 22kg] of salt.
- 3) Press Enter Button to save new salt level and exit salt level screen. Press the Left Arrow button to exit the Main Menu and return to the Home Screen.

Note: *Exiting Salt Level screen with the Left Arrow button will NOT save new salt settings.*

! Important Note: It is important to maintain at least 15 lbs. to 30 lbs. of salt in your brine tank to correctly regenerate your System and to continue to enjoy soft water. LOW SALT ALERTS will activate for salt levels under 30 lbs.

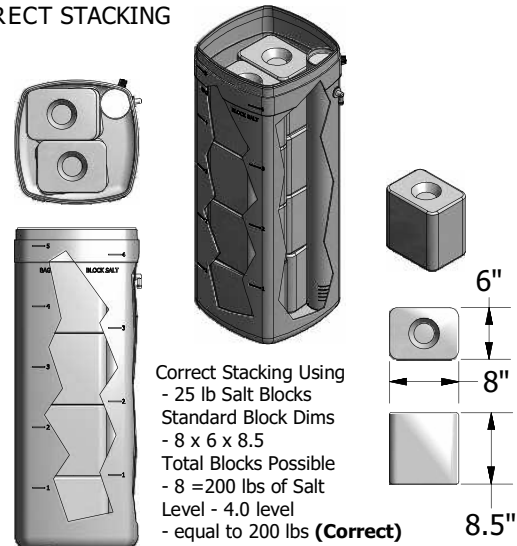
! Recommendations: If choosing to use both Block and Pellet form of salt when filling your brine tank, we recommend you maintain your settings on Pellet Form. We do not recommend this method of filling your brine tank for system sizes of EC5 150 and higher. The total volume of salt in the full brine tank will not allow enough room for water to make the appropriate amount of brine solution to regenerate your system fully.

STACKING BLOCK SALT - 25 lbs BLOCKS

INCORRECT STACKING

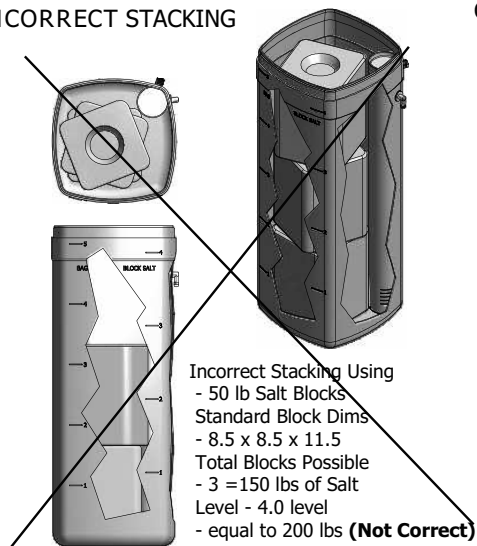


CORRECT STACKING

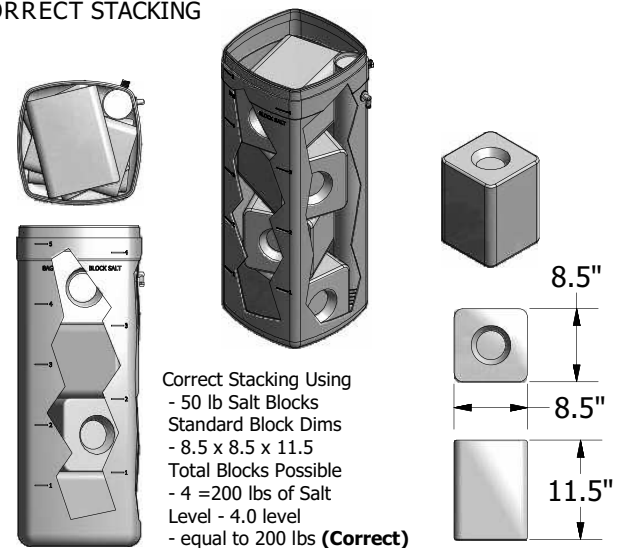


STACKING BLOCK SALT - 50 lbs BLOCKS

INCORRECT STACKING



CORRECT STACKING



6. Sanitize the Conditioner

- Mix a 3/4 cup of common (unscented) 5.25% household bleach with 1 quart of water. Pour this solution into the brine well.
- Initiate a manual regeneration. The solution will be drawn into the conditioner during the regeneration process.
- After the system has completed a manual regeneration, the conditioner will be sanitized and ready for use.

! Important Note: Do not pour undiluted bleach into the water conditioner.

An Overview of the Regeneration Process

Your RainSoft EC5 Water Conditioner performs a periodic regeneration cycle to clean itself and restore its capacity. How often it regenerates depends on your water use, incoming water hardness, and several other factors, but 1 - 2 times a week is typical. An automatic regeneration will never occur more than once in a day, and is programmed to occur at a time when you are unlikely to be using water (late at night in most cases). The time of regeneration is adjustable via the control interface or customer app. Here is an overview of the regeneration process:

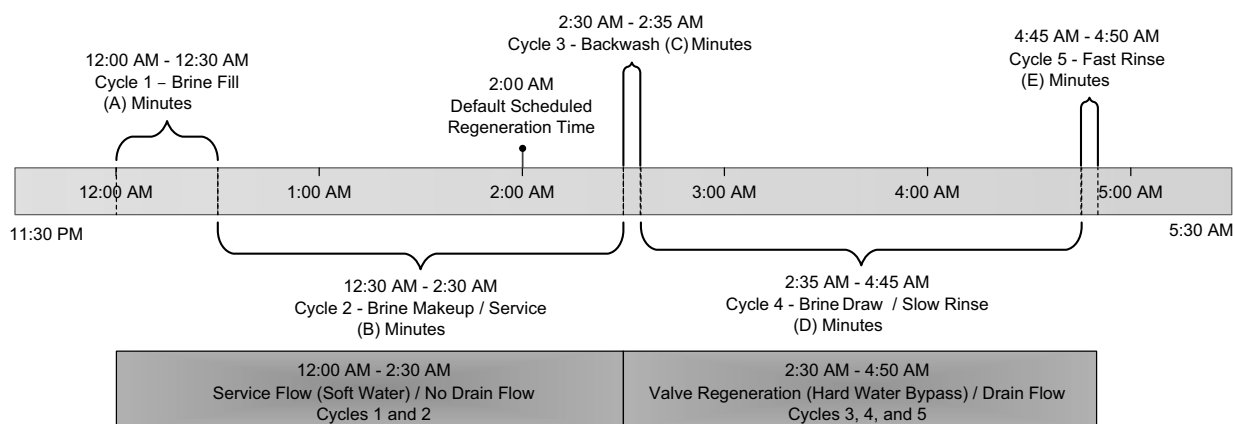
CYCLE 1- Brine Fill

The first step in preparation for the regeneration is to add water to the brine tank. The amount of salt the conditioner uses in its regeneration is directly related to the amount of water added to the brine tank. The salt will only dissolve into the water until it reaches a point of saturation, then no matter how much longer it sits, no additional salt will dissolve. Many softeners add a fixed amount of water to the brine tank at the end of each regeneration cycle. With that type of unit, the water sits in the tank until the next regeneration, usually for several days.

Your EC5 conditioner uses a more sophisticated and efficient approach called "proportional brining." The computer continually monitors your water use and decides if regeneration is needed today. If regeneration is needed, the computer moves the valve to the brine refill position about two hours before the scheduled time of regeneration. You may hear the motor running and some water flowing at this time. Because the computer knows how much water you've used, it calculates the exact amount of salt that will be needed to completely restore the system capacity. Then it adds just enough water to the brine tank to dissolve that much salt. So you can say it creates brine in proportion to the amount of capacity you need to restore it doesn't waste salt.

EXAMPLE: If the time of regeneration is set for 2:00 AM, you may hear the system apparently start to regenerate at 12:00 AM. What it is actually doing is running the brine fill cycle. It will fill the brine tank for a few minutes, then return to its normal home position for 2 hours. The actual full regeneration cycle starts just after 2:00 AM. (See regeneration time line example below)

Example: Regeneration Timeline



Notes:

- 1) Cycles 1 and 4 times are variable times precalculated before the regeneration process begins based on current resin capacity.
- 2) Times listed are example times.

CYCLE 2- Brine Make Up/Service

After adding water to the brine tank, the valve returns to home position and waits for two hours. This time is adjustable, but two hours provide the optimum solution. This gives the salt plenty of time to dissolve and ensures that an accurate salt dose is used. The system is still providing treated water to your home during this cycle.

CYCLE3- Backwash

At the programmed time of regeneration, the valve moves to its backwash position for the start of its actual regeneration cycle. In the backwash position, the normal flow through the pressure tank is reversed, with water flowing from the bottom up, so that the softening mineral is lifted and cleaned. This removes any dirt or particles that have accumulated on the top of the mineral bed. As is true of the entire regeneration cycle, all the water flowing through the tank at this point is sent directly to the drain. None of the regeneration water enters your supply pipes. If you use any water during regeneration, the system provides you with untreated water that completely bypasses the tank.

CYCLE 4- Brine Draw / Slow Rinse

After the system is backwashed for several minutes, the valve moves to the brine draw position. In this position, the valve creates a vacuum to pull the brine solution out of the brine tank. The brine solution flows slowly through the mineral bed, removing the hardness ions that are attached to the softening resin and sending them to the drain. After all the brine is drawn out of the brine tank, the system continues to slowly rinse the mineral bed, giving plenty of time for all the resin beads to be recharged and rinsing out any excess brine.

CYCLE 5-Fast Rinse

The valve then moves to its final regeneration cycle, in which water flows quickly through the bed in its normal direction from top to bottom. This settles the mineral bed back down and serves as a final cleaning rinse. The valve then returns home. The regeneration cycle is complete.

NOTE: The entire regeneration cycle, from backwash to fast rinse, takes one to two hours in most cases.

MANUAL REGENERATION:

Although it may never be necessary, you always have the option to start an immediate regeneration. See page 20 for instructions. The manual regeneration will start with brine tank fill and a 2 hour soak cycle as described above. Since a manual regeneration is primarily intended to recover from unusual circumstances, such as allowing the brine tank to run out of salt, it is assumed that you need to recover full capacity. Therefore, a manual regeneration always uses the maximum salt dose for your size of unit.

Navigating the Menus

The EC5 control uses a simple layout of up/down & left/right buttons in a cross pattern with an enter button in the center. We hope you will find this system intuitive and familiar, since it is similar to TV remote controls and other devices you already have.

We encourage you to just try it out and consult this section of the manual if you have questions. A full description of the menu structure follows for those who prefer to understand the details first.

The home or normal screen looks like this:

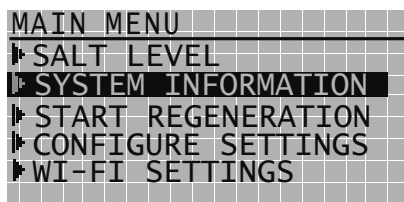


This is the screen you will see most of the time when you first walk up to the system. There are a few special screens that will be described in the “REGENERATION” and “ALARMS” sections of this manual.

The screen has a backlight that turns off after a few minutes of no activity. Pressing any button when the screen is not lit automatically turns the backlight on. That first button press doesn't do anything else, so don't worry – you can't press the wrong button.

When you're on the home screen and the backlight is on, pressing any button will take you to the main menu screen. Again, you can't press the wrong button – they all take you to the same place.

The Main Menu screen looks like this:



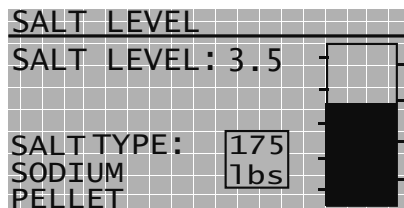
To navigate the menu screens, follow these simple rules:

- Press the ENTER or RIGHT button to select the item that is highlighted.
- Use the UP or DOWN button to highlight a different menu item.
- When you have entered a submenu:
 - o Use the LEFT button to go back to the previous menu level without changing the item you were looking at.
 - o Use the ENTER button to go back to the previous menu level while accepting any changes that you made.

Now we will review the items in the main menu.

Salt Level

Selecting SALT LEVEL and pressing either the ENTER or RIGHT button takes you to the Salt Level screen.



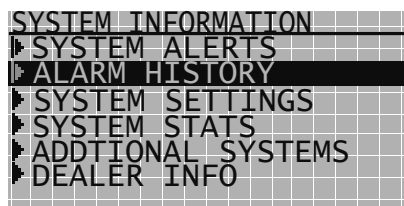
This screen shows the level of salt left in your brine tank. The level (for example, 3.5 in the figure above) corresponds to numbers visible on the brine tank. Anytime you add salt to the brine tank, use the UP or DOWN arrows to adjust this number to match the level of salt in the tank. (Just make your best estimate between numbers.) The computer automatically subtracts the amount of salt used every time the system regenerates.

If you have changed the salt level and want to save the change, press the ENTER button to exit to the Main Menu. If you do not want to save a change, press the LEFT button to return to the Main Menu without saving.

Helpful Tip: The scale for block salt is designated by levels 1-4. The scale for bag salt or potassium chloride is designated by levels 1-5. For larger tanks, a salt scale sticker is available through your RainSoft Dealer, part number 19024.

System Information

Selecting SYSTEM INFORMATION and pressing either the ENTER or RIGHT button takes you to the System Information menu.



You can select any menu items for additional information.

System Alerts: When salt level falls to 30 pounds or less, you will receive a LOW SALT alert. Any current alerts will be visible when this item is chosen.

Alarm History: An alarm condition is logged when any number of important events occur. The date and time of the most recent alarms is shown in this menu item.

- When salt level reaches 0, the low salt alert is replaced by a NO SALT alarm. This alarm condition will persist until you add salt and adjust the salt level.
- When you lose power, a POWER LOSS event is noted. The system will record the time power is lost & the time power is restored. You do not need to do anything in response to a power loss. The system can keep time for several days without power and will not lose any settings in a power loss. The computer has automatic recovery procedures for power loss during a regeneration.
- If the motor is unable to drive the valve to its proper position during regeneration, a MOTOR/SWITCH alarm is activated. This alarm indicates a serious issue with the drive assembly or valve and requires service by a trained technician.
- Other RainSoft products in your home, such as a drinking water system and a whole house filter, have filter elements or other components which eventually become exhausted and need replacement. Your EC5 control can be set to monitor these system and provide a warning when service is needed. These alarms are identified as DRINKING WATER, FILTER, AIRMASTER, and OTHER. These alarms indicate the need for service by a trained technician.

System Settings: This item provides a useful list of basic information about your system: Model, Serial Number, Installation Date, Water Hardness Setting, and Water Iron Level. These items are for viewing only and cannot be changed in this menu.

System Stats (Statistics): This item provides a list of statistics about your water use and system operation:

- **Current Water Flow:** This is the actual current flow rate of water through your system.
- **Avg Water Use:** This is the average volume of treated water used per day.
- **Total Water 28 Days:** This is the total volume of water treated by your system in the last 28 days.
- **Total Water Used:** This is the total volume of water treated by your system since installation.
- **Last Regen Date:** This is the date that the system last regenerated.
- **Gal Since Last Regen:** This is the volume of water treated by your system since the last regeneration.
- **Avg Weekly Salt:** This is the average amount of salt per week used for regeneration.
- **Regens Last 28 Days:** This is the number of regenerations in the last 28 days.

Note that it will take 3 to 4 weeks of typical water use after installation for the average values to be meaningful.

Additional Systems: This item shows the status of additional RainSoft systems that may be monitored by your EC5 control.

Dealer Info: This item shows your dealer's name, phone number, and email address.

When you are done reviewing items in the System Information Menu, use the LEFT button to go back to the Main Menu.

Start Regeneration:

Selecting START REGENERATION and pressing either the ENTER or RIGHT button takes you to the options of initiating a manual regeneration.

This menu offers two options: Start a regeneration now or start it later. All manual regenerations are done with the full salt dosage.

Regenerate Now?

Pressing the Enter button while this item is highlighted will take you to the CONFIRM REGEN NOW screen.

If you want to regenerate immediately, press the ENTER button while "YES" is highlighted.

If you do not want to regenerate immediately, use the RIGHT button to highlight "NO," then press ENTER.

If you choose "YES," the control will immediately return to the home screen, displaying "SYSTEM: REGEN IN 10."

The control does a 10 second countdown before starting the regeneration. This gives you one more chance to abort the manual regeneration. Pressing any button during the 10 second countdown cancels the regeneration and leaves you at the home screen.

Start Regen Later?

To set a full regeneration to occur later within the next 24 hours, use the DOWN button to select this item, then press ENTER. The screen will display a time of day for the manual regeneration.

Use the UP and DOWN buttons to change the start time. You may set minutes as well as hours. If you press ENTER, the manual regeneration is now set to begin with cycle 1, two hours before the time shown.

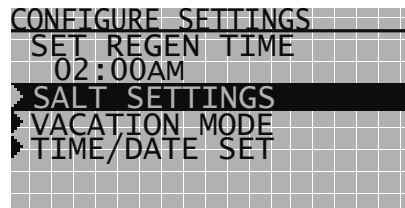
Please note that this regeneration start time applies only to this one manual regeneration. It will not change your normal start time for future automatic regenerations.

Should you decide to cancel the planned regeneration, return to this menu item, use the RIGHT button to highlight "Cancel" the press ENTER.

! Important Note: You must set the start time more than 2 hours later than the current time if you want the regeneration to occur within the next 24 hours. Cycle 1 needs to start 2 hours before the time you set.

Configure Settings

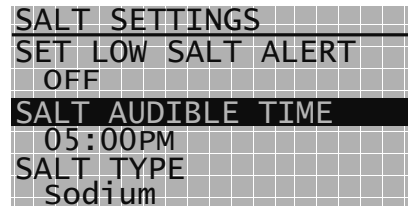
Selecting CONFIGURE SETTINGS and pressing either the ENTER or RIGHT button takes you to the Configure Setting menu.



This menu offers several customer accessible settings.

Set Regen Time: This sets the time of day (in hours & minutes) that the computer will start an automatic regeneration. The optimum time is when little to no water will be used in the home. The default setting of 2:00 AM (02:00 metric) works well for most customers.

Salt Settings: There are several selections in the salt settings menu.




Low Salt Alert: You have the option of turning a low salt warning ON or OFF. If set to ON, the system will sound an audible alarm tone when your salt level drops to 30 pounds or less. This serves as a reminder to add salt to your brine tank.


Salt Audible Time: If your Low Salt Alert is turned ON, the alarm tone will sound for one hour, starting at the time shown here. You can adjust the starting hour to suit your schedule. Pick a time when you are likely to hear and respond to the alarm.

Note that if the alarm sounds for one hour with no action on your part, it will turn off and sound again at the same time the next day.

Salt Type: You have the option to use **sodium** chloride or **potassium** chloride salt. Sodium chloride is less costly and more readily available. Some people may prefer potassium chloride as part of a very low sodium diet. Potassium salt provides less capacity per pound than sodium salt. When you select the salt type you use, the computer will automatically adjust its calculations for the proper capacity.

Salt Form: Salt is typically sold as bagged **pellets**/cubes or in formed **blocks**. The form of salt you use has an effect on how much salt your brine tank can hold. Pellets fill the tank volume more completely. The brine tank has separate scales for bag (pellet) or block. Choose the salt form you use (**pellet** or **block**) so that the computer can properly calculate salt level.

 **Helpful Tip: The Customer mobile app gives you other options for salt alerts, such as push notification or email.**

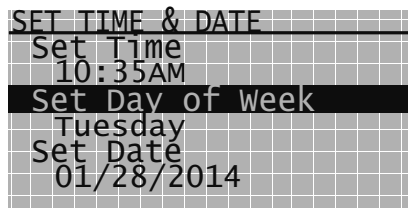
 **Helpful Tip: The scale for block salt is designated by levels 1-4. The scale for bag salt or potassium chloride is designated by levels 1-5. For larger tanks, a salt scale sticker is available through your RainSoft Dealer, part number 19024.**

Vacation Mode: Turning Vacation Mode ON puts the system into a rest state with these two important characteristics:

- If you have the Days Override setting ON, which normally guarantees a regeneration at a preset interval of days even with minimal water use, Vacation Mode stops those regenerations from occurring.
- One day prior to your scheduled return, the system will regenerate at its normal regeneration time to ensure a fresh conditioner bed upon your arrival.

If you turn Vacation Mode ON, you must also select **Set Total Days Away** and enter your vacation length (between 2 and 180 days).

Time / Date Set: This menu provides settings for correct time and date. Since your system is capable of keeping time at least 72 hours during a power outage, it is unlikely that you will need to set these more than once.



Set Time: Sets the time of day (12 hour AM/PM clock in English units, 24 hour clock in metric).

Set Day of Week: Sets the current day of the week.

Set Date: Sets the current date (mm/dd/yyyy in English, dd/mm/yyyy in metric).

Daylight Savings: Turns automatic Daylight Savings Time adjustment ON or OFF. The system will automatically adjust for Daylight Saving Time in spring and fall according to the U.S. standard if set to ON.

Set Time Zone: Setting the proper Time Zone is important to synchronize communication with the RainSoft Remind app. Time Zone is shown as an offset from UTC (Coordinated Universal Time). Here are the major U.S. time zone offsets:

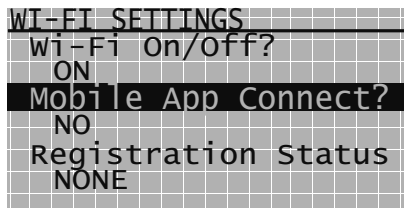
U. S. Time Zone	UTC offset
Eastern	UTC-5
Central	UTC-6
Mountain	UTC-7
Pacific	UTC-8

! Important Notes: After setting the vacation mode, the computer will provide a 16 hour delay for your convenience. If water use is detected after the 16 hour delay, the vacation mode is deactivated.

📎 Helpful Tip: If auto daylight savings time is "ON", the system will automatically adjust the clock in the spring and fall. Only set the daylight savings time to "OFF" if daylight savings time is not observed in your area.

Wi-Fi Settings

This menu is mainly used in the initial connection of your system to your home Wi-Fi network.



Wi-Fi On/Off? Turns the broadcast of information from the control ON or OFF. If this is set OFF, you will not be able to communicate with the system via the RainSoft Remind app and network.

Note: All communication to and from the control is encrypted for your safety.

Mobile App Connect? Selecting YES provides a temporary direct Wi-Fi connection with a nearby smart phone or tablet. The control will not communicate via your home Wi-Fi network while this temporary connection is active. This direct connection is used for network setup and system service only.

Registration Status

This item shows whether or not your device has been connected via the Rainsoft Remind app. This information is informational only and cannot be changed directly.

Network Status

In the Wi-Fi Menu, scroll down to see Network Status. This will change from No SSID to the assigned IP address when connected to the home Wi-Fi Network. This item is informational only and cannot be changed directly.

See the section on setting up your RainSoft Remind app for more information.

Setting Up Your Rainsoft Remind Account And Wi-Fi Connection

Your RainSoft EC5 Conditioner has the capability to use your home Wi-Fi network to communicate with your smart phone or tablet. In order to use this capability, you have to connect the EC5 conditioner to your network. You will need:

- The SSID (network name) and password for your home network;
- The RainSoft Remind app downloaded to your phone or tablet.

Use your smart phone or tablet to search for and install the free RainSoft Remind app (available for iPhone, iPad, and Android-based devices).

On the Owner Sign In screen of the app, choose “Create a new account.”

Fill in the fields on the account screen. Note that your email address serves as a unique user ID.

Select “**SAVE SETTINGS**” to create the account.

Now select”**CONNECT EC5 TO NETWORK**”

From the screen shown, select “Connect EC5 to Network.” Follow these steps as shown on the screen:

1. Make sure you have your network SSID and password available.
2. . On the EC5 control head:
 - a. Press the ENTER button to get to the Main Menu.
 - b. Use the DOWN button to scroll to Wi-Fi Settings and press ENTER to select.
 - c. On the WI-FI SETTINGS screen, use the DOWN button to scroll to “Mobile App Connect?” and press ENTER to select.
 - d. Use the DOWN arrow to change “NO” to “YES.” Press ENTER to select “YES.”
3. On your phone or tablet, leave the app momentarily and go to “Settings” and “Wi-Fi.” Browse for available networks. You should see “RainSoft EC5.” Choose to connect to “RainSoft EC5.”
4. Return to the RainSoft Remind App. Press “Connect EC5 to Network” at the bottom of the screen.
5. Enter your home network Wi-Fi SSID and password in the appropriate fields, then press “Connect to Network.”

As the connection is being made, you will see changing information on both the app screen and the EC5 screen. EC5 “Registration Status” will change to “Pending” then to “OK” once the connection is completed. The EC5 “Mobile App Connect?” will also change from “YES” to “NO” automatically during this process, releasing the Wi-Fi direct connection between your phone/tablet and the EC5.

! Note: It can take up to 10 minutes to complete the connection.

Press the LEFT button on the EC5 control head twice to return to the Home Screen. After a few seconds, you should see a Wi-Fi signal strength indicator in the upper right corner, next to the date, that indicates your EC5 is now connected to your Wi-Fi network.

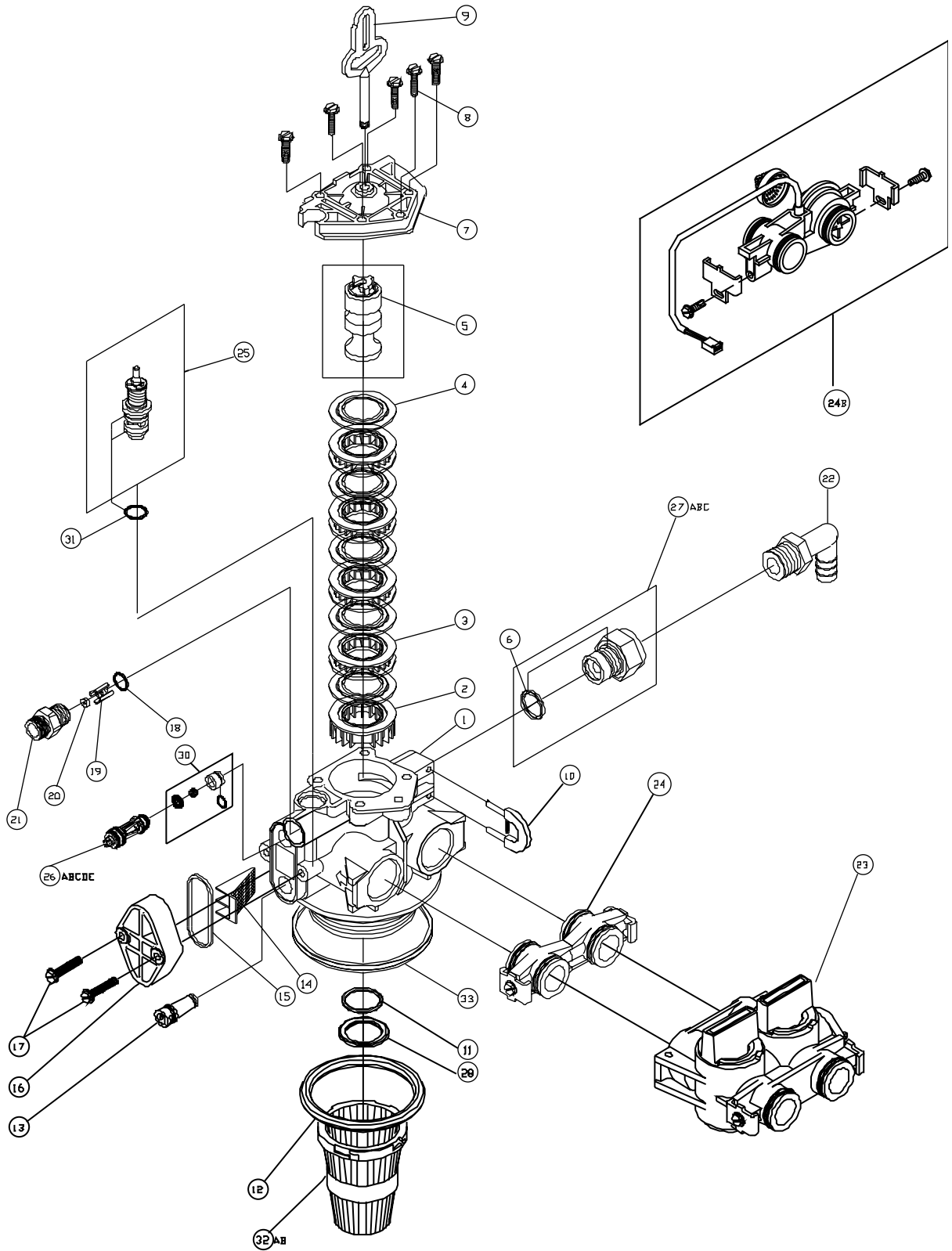
In the event that the connection process failed, Go to the GEAR icon in the upper right hand corner of the REMIND App. “**Customer Settings**” At the bottom of the page Press(Connect EC5 to Network) . This will start the connection process.

Troubleshooting Guide

Symptom	Cause	Solution
1. The system fails to regenerate automatically	<ol style="list-style-type: none"> The power supply is plugged into intermittent or dead power source. The system is not counting gallons. 	<ol style="list-style-type: none"> Connect to a constant power source. Call your RainSoft Dealer for service.
2. The system regenerates at the wrong time	<ol style="list-style-type: none"> The computer is not set properly. The time is off due to daylight savings. The maximum system capacity has been exceeded. 	<ol style="list-style-type: none"> Reset the time of day/hour of regeneration. Verify that auto daylight savings time is set to "ON". Limit water usage until the regeneration is complete.
3. Poor water quality	<ol style="list-style-type: none"> The raw water has changed. The bypass valve is open. The power supply is disconnected. 	<ol style="list-style-type: none"> Call your RainSoft Dealer for a new water analysis. Close the bypass valve. Plug in the power supply.
4. Loss of water pressure	<ol style="list-style-type: none"> Low pressure to the unit. 	<ol style="list-style-type: none"> Bypass the system. If the problem still exists after bypass, it is not related to a RainSoft product. (Check your water distribution system.) If the problem is resolved after bypass, call your RainSoft Dealer for service.
5. Excessive water in the brine tank and/or salty water	<ol style="list-style-type: none"> The drain line is plugged/restricted. The brine valve is dirty. Low inlet pressure. The injector is plugged. 	<ol style="list-style-type: none"> Check the water flow to the drain. Check for crimps in the drain line. Call your RainSoft Dealer for service. Call your RainSoft Dealer for service. Call your RainSoft Dealer for assistance. Call your RainSoft Dealer for service.
6. The system fails to use salt	<ol style="list-style-type: none"> The drain line is plugged/restricted. The injector is plugged. Low inlet pressure. No water in the brine tank. 	<ol style="list-style-type: none"> Check the water flow to the drain. Check for crimps in the drain line. Call your RainSoft Dealer for service. Call your RainSoft Dealer for service. Call your RainSoft Dealer to increase the inlet pressure. It must be a minimum of 20 psi. Call your RainSoft Dealer for service.
7. Constant flow to the drain	<ol style="list-style-type: none"> Foreign material in the valve. Excessive water pressure. 	<ol style="list-style-type: none"> Call your RainSoft Dealer to clean the valve. Install a pressure regulator.

If the troubleshooting guide did not resolve the symptom, please contact your local RainSoft Dealer for service. If you cannot locate your local RainSoft Dealer, please contact RainSoft Customer Service at 1-800-860-7638 or logon to www.rainsoft.com for the name and location of your nearest authorized Dealer.

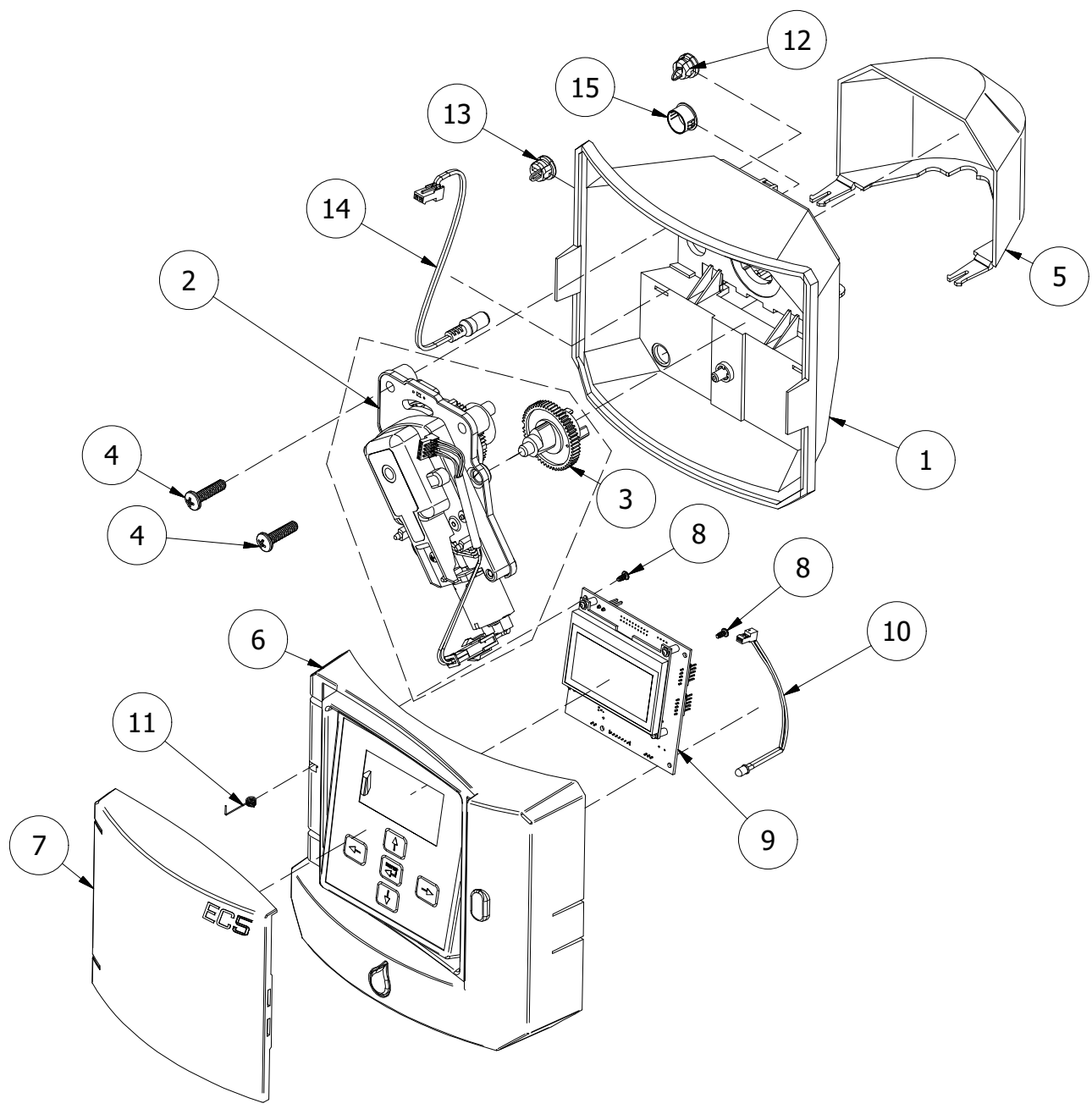
Valve Exploded View



Valve Parts List

Item	Quantity	Part Number	Description
1	1	17863	Composite valve body
2	1	17864	Spacer end
3	4	17865	Internal spacer
4	5	17866	Internal seal
5	1	18160	Retainer & down flow piston
6	1	10258	O-ring - 017
7	1	17869	End plug assembly
8	5	17870	10-24 x .812 screw hex washer head
9	1	17871	Piston rod
10	1	17887	Retainer drain
11	1	17888	O-ring - 121
12	1	17889	O-ring - 336
13	1	17617	Injector plug assembly
14	1	17948	Injector screen
15	1	17949	Injector seal
16	1	17950	Injector cap
17	2	17951	Screw hex washer head 10-24 x 1.0
18	1	17958	O-ring - 015
19	1	17953	Retainer blfc button
20	1	17954	Flow control washer 0.25 gpm
21	1	17957	Adapter blfc 0.25 gpm
22	1	17939	1/2 npt x 1/2 barb poly elbow
23	1	17557	Composite bypass valve
24A	1	17560	3/4" coupling adapter assembly
24B	1	17558	Turbine meter assembly with cable
25	1	17812	Refill shut-off assembly
26A	1	17893	#00 injector assembly
26B	1	17947	#0 injector assembly
26C	1	18194	#1 injector assembly
26D	1	19318	#2 injector assembly
26E	1	19393	#3 injector assembly
27A	1	17991	1.5 drain line flow control assembly
27B	1	17992	2.0 drain line flow control assembly
27C	1	17994	3.0 drain line flow control assembly
29	1	18445	Riser pipe retainer o-ring
30	1	19739	Check ball cage assembly
31	2	13329	O-ring - 014
32A	1	17941	Diffuser upper basket 1 x .008 red
32B	1	18985	Diffuser upper basket 1 x .02 white
33	1	19328	Tank retainer seal

Control Exploded View



Control Parts List

Item	Quantity	Part Number	Description
1	1	51920	GEN 5-REAR HOUSING ASSEMBLY
2	1	51921	RPS MOTOR GEAR DRIVE ASSEMBLY
3	1	17501	BRINE GEAR/CAM
4	2	51918	SCREW 1/4-20X 1in PAN HEAD PHIL SS
5	1	51902	GEN 5-REAR COVER
6	1	52106	EC5-FRONT HOUSING ASSEMBLY
7	1	51904	GEN5-DOOR EC5
8	5	51919	SCREW #4-20x0.25in, PHIL PAB SS
9	1	51927	EC5 WIFI-PCB BOARD ASSY/PRG
10	1	51911	LED BLUE WIRE HARNESS GEN5
11	1	51907	SPRING GEN 5 FRONT HOUSING DOOR
12	1	72134	28-8-7 HEYCO SR5P4 4 LEAD
13	1	72250	HEYCO SR 4K-4 BUSHING (.500 DIA HOLE)
14	1	51912	POWER WIRE HARNESS GEN 5
15	1	71611	28-244-4 HOLE PLUG .625 DIA HOLE
	1	51923	DC POWER SUPPLY 24V 1AMP US WALL (NOT SHOWN)



DEMAND INITIATED
 WATER TREATMENT SYSTEM
 PERFORMANCE DATA SHEET

EC5 75 CV

DEMAND INITIATED TREATMENT SYSTEM

- SERVICE FLOW RATE = 9.3 GPM (35.2 LPM)
- DRAIN FLOW RATE: 1.5 GPM (5.7 LPM)
- PSI DROP @ FLOW RATE: 15.0 psi (1.1 kgf/cm²)
- OPERATING PSI OF SUPPLY: 20 psi - 120 psi (1.47 - 8.45 kgf/cm²)
- OPERATING TEMPERATURE: 40° F - 100° F (4.4° C - 38° C)
- ELECTRICAL: 24 VAC, 50/60 Hz (COMPUTER)
- SALT PER REGENERATION: VARIABLE
- EFFICIENCY: 4,400 GRAINS/LBS. SALT @ 2.25 LBS. DOSAGE

CAPACITY AND SALT SETTINGS

CAPACITY	SALT
9,900 GRAINS	@ 2.25 LBS. OF SALT
21,300 GRAINS	@ 7.5 LBS. OF SALT
26,100 GRAINS	@ 11.2 LBS. OF SALT

LIST OF CONTAMINANTS REDUCED

CONTAMINANT	USEPA MCL
BARIUM*	2 PPM
RADIUM 226/228*	5 PCI/L

NSF/ANSI STANDARD 44 TEST CONDITIONS: 35 ± 5 psi, 65 ± 10°F, pH 7.5 ± 0.5 at service flow rate

*HARDNESS WAS USED AS A SURROGATE FOR BARIUM AND RADIUM REDUCTION CLAIMS PER NSF/ANSI STANDARD 44.

SOFTENING PERFORMANCE TEST

CHALLENGE	AVERAGE INFLUENT LEVEL	AVERAGE EFFLUENT LEVEL
HARDNESS	335 PPM	8 PPM

NSF/ANSI STANDARD 44 TEST CONDITIONS: 35 ± 5 psi, 65 ± 10°F, pH 7.5 ± 0.5 at service flow rate

ADDITIONAL NOTES

- THE LIST OF SUBSTANCES WHICH THIS TREATMENT DEVICE REDUCES DOES NOT NECESSARILY MEAN THAT THESE SUBSTANCES ARE PRESENT IN YOUR WATER SUPPLY.
- ACTUAL RESULTS MAY VARY DUE TO LOCAL WATER CONDITIONS.
- AN EFFICIENCY RATED WATER SOFTENER IS A DEMAND INITIATED REGENERATION SOFTENER, WHICH ALSO COMPLIES WITH SPECIFIC PERFORMANCE SPECIFICATIONS INTENDED TO MINIMIZE THE AMOUNT OF REGENERATE BRINE AND WATER USED IN ITS OPERATION AND WILL ACHIEVE A RATING OF NOT LESS THAN 3,350 GRAINS OF TOTAL HARDNESS EXCHANGE PER POUND OF SODIUM CHLORIDE SALT AND SHALL NOT DELIVER MORE SALT THAN ITS LISTED RATING. THE EFFICIENCY IS MEASURED BY A LABORATORY TEST DESCRIBED IN NSF/ANSI 44. THE TEST REPRESENTS THE MAXIMUM POSSIBLE EFFICIENCY THAT THE SYSTEM CAN ACHIEVE. OPERATIONAL EFFICIENCY IS THE ACTUAL EFFICIENCY ACHIEVED AFTER THE SYSTEM HAS BEEN INSTALLED AND IS TYPICALLY LESS THAN THE TESTED EFFICIENCY DUE TO INDIVIDUAL APPLICATION FACTORS INCLUDING WATER HARDNESS, WATER USAGE, AND OTHER CONTAMINANTS THAT REDUCE THE SOFTENERS CAPACITY.
- A WATER SOFTENER IS NOT INTENDED TO BE USED FOR TREATING WATER THAT IS MICROBIOLOGICALLY UNSAFE OR OF UNKNOWN QUALITY WITHOUT ADEQUATE DISINFECTION BEFORE AND AFTER THE SYSTEM.
- EFFICIENCY OF THE CONDITIONER IS VALID ONLY AT THE STATED SALT DOSAGE.

THE SYSTEM SHOULD BE INSTALLED IN AN AREA NOT AFFECTED BY EXTREME HEAT, COLD, OR THE ELEMENTS.

THIS SYSTEM MUST BE INSTALLED IN ACCORDANCE WITH ALL APPLICABLE STATE AND LOCAL LAWS AND REGULATIONS.

DO NOT INSTALL SYSTEM WHERE WATER IS MICROBIOLOGICALLY UNSAFE OR OF UNKNOWN QUALITY WITHOUT ADEQUATE DISINFECTION BEFORE OR AFTER THE SYSTEM.

THE SYSTEM CONTAINS AN ION-EXCHANGE MEDIA FOR REMOVING LISTED CONTAMINANTS AND MUST BE REGENERATED PERIODICALLY. PLEASE REFER TO THE OWNERS MANUAL TO DETERMINE THE FREQUENCY OF REGENERATIONS.

PLAIN, WHITE BLOCK SALT IS RECOMMENDED FOR THIS SYSTEM. IF BLOCK SALT IS NOT AVAILABLE, A CLEAN, COARSE OR EXTRA COARSE ROCK OR SOLAR SALT MAY BE USED. DO NOT USE GRANULATED SALT. CONSULT YOUR RAINSOFT DEALER FOR POTASSIUM CHLORIDE USE.

YOUR LOCAL DEALER IS AVAILABLE FOR SERVICE AND WARRANTY PART REPLACEMENTS.

SEE THE OWNERS MANUAL FOR GENERAL OPERATION AND MAINTENANCE REQUIREMENTS.

SEE WARRANTY CARD FOR SPECIFIC WARRANTY INFORMATION.

IMPORTANT NOTICE

READ THIS PERFORMANCE DATA SHEET AND COMPARE THE CAPABILITIES OF THIS UNIT WITH YOUR ACTUAL WATER TREATMENT NEEDS. IT IS RECOMMENDED THAT BEFORE PURCHASING A WATER TREATMENT UNIT, YOU HAVE YOUR WATER SUPPLY TESTED TO DETERMINE YOUR ACTUAL WATER TREATMENT NEEDS.



TESTED AND CERTIFIED BY THE WQA TO NSF/ANSI STANDARD 44 FOR THE SPECIFIC PERFORMANCE CLAIMS AS VERIFIED AND SUBSTANTIATED BY TEST DATA

C

TESTED AND CERTIFIED BY THE WQA TO NSF/ANSI STANDARD 372 FOR LOW LEAD COMPLIANCE

THE EC5 SERIES IS TESTED AND CERTIFIED BY WQA TO CSA B483.1 STANDARD.



DEMAND INITIATED

WATER TREATMENT SYSTEM

PERFORMANCE DATA SHEET

EC5 100 CV

DEMAND INITIATED TREATMENT SYSTEM

- SERVICE FLOW RATE = 10.0 GPM (37.8 LPM)
- DRAIN FLOW RATE: 2.0 GPM (7.6 LPM)
- PSI DROP @ FLOW RATE: 12.0 psi (0.9 kgf/cm²)
- OPERATING PSI OF SUPPLY: 20 psi - 120 psi (1.47 - 8.45 kgf/cm²)
- OPERATING TEMPERATURE: 40° F - 100° F (4.4° C - 38° C)
- ELECTRICAL: 24 VAC, 50/60 Hz (COMPUTER)
- SALT PER REGENERATION: VARIABLE
- EFFICIENCY: 4,970 GRAINS/LBS. SALT @ 3.0 LBS. DOSAGE

CAPACITY AND SALT SETTINGS

CAPACITY	SALT
14,900 GRAINS	@ 3.0 LBS. OF SALT
32,300 GRAINS	@ 10.0 LBS. OF SALT
37,700 GRAINS	@ 15.0 LBS. OF SALT

LIST OF CONTAMINANTS REDUCED

CONTAMINANT	USEPA MCL
BARIUM*	2 PPM
RADIUM 226/228*	5 PCI/L

NSF/ANSI STANDARD 44 TEST CONDITIONS: 35 ± 5 psi, 65 ± 10°F, pH 7.5 ± 0.5 at service flow rate

*HARDNESS WAS USED AS A SURROGATE FOR BARIUM AND RADIUM REDUCTION CLAIMS PER NSF/ANSI STANDARD 44.

SOFTENING PERFORMANCE TEST

CHALLENGE	AVERAGE INFLUENT LEVEL	AVERAGE EFFLUENT LEVEL
HARDNESS	335 PPM	8 PPM

NSF/ANSI STANDARD 44 TEST CONDITIONS: 35 ± 5 psi, 65 ± 10°F, pH 7.5 ± 0.5 at service flow rate

ADDITIONAL NOTES

- THE LIST OF SUBSTANCES WHICH THIS TREATMENT DEVICE REDUCES DOES NOT NECESSARILY MEAN THAT THESE SUBSTANCES ARE PRESENT IN YOUR WATER SUPPLY.
- ACTUAL RESULTS MAY VARY DUE TO LOCAL WATER CONDITIONS.
- AN EFFICIENCY RATED WATER SOFTENER IS A DEMAND INITIATED REGENERATION SOFTENER, WHICH ALSO COMPLIES WITH SPECIFIC PERFORMANCE SPECIFICATIONS INTENDED TO MINIMIZE THE AMOUNT OF REGENERATE BRINE AND WATER USED IN ITS OPERATION AND WILL ACHIEVE A RATING OF NOT LESS THAN 3,350 GRAINS OF TOTAL HARDNESS EXCHANGE PER POUND OF SODIUM CHLORIDE SALT AND SHALL NOT DELIVER MORE SALT THAN ITS LISTED RATING. THE EFFICIENCY IS MEASURED BY A LABORATORY TEST DESCRIBED IN NSF/ANSI 44. THE TEST REPRESENTS THE MAXIMUM POSSIBLE EFFICIENCY THAT THE SYSTEM CAN ACHIEVE. OPERATIONAL EFFICIENCY IS THE ACTUAL EFFICIENCY ACHIEVED AFTER THE SYSTEM HAS BEEN INSTALLED AND IS TYPICALLY LESS THAN THE TESTED EFFICIENCY DUE TO INDIVIDUAL APPLICATION FACTORS INCLUDING WATER HARDNESS, WATER USAGE, AND OTHER CONTAMINANTS THAT REDUCE THE SOFTENERS CAPACITY.
- A WATER SOFTENER IS NOT INTENDED TO BE USED FOR TREATING WATER THAT IS MICROBIOLOGICALLY UNSAFE OR OF UNKNOWN QUALITY WITHOUT ADEQUATE DISINFECTION BEFORE AND AFTER THE SYSTEM.
- EFFICIENCY OF THE CONDITIONER IS VALID ONLY AT THE STATED SALT DOSAGE.

THE SYSTEM SHOULD BE INSTALLED IN AN AREA NOT AFFECTED BY EXTREME HEAT, COLD, OR THE ELEMENTS.

THIS SYSTEM MUST BE INSTALLED IN ACCORDANCE WITH ALL APPLICABLE STATE AND LOCAL LAWS AND REGULATIONS.

DO NOT INSTALL SYSTEM WHERE WATER IS MICROBIOLOGICALLY UNSAFE OR OF UNKNOWN QUALITY WITHOUT ADEQUATE DISINFECTION BEFORE OR AFTER THE SYSTEM.

THE SYSTEM CONTAINS AN ION-EXCHANGE MEDIA FOR REMOVING LISTED CONTAMINANTS AND MUST BE REGENERATED PERIODICALLY. PLEASE REFER TO THE OWNERS MANUAL TO DETERMINE THE FREQUENCY OF REGENERATIONS.

PLAIN, WHITE BLOCK SALT IS RECOMMENDED FOR THIS SYSTEM. IF BLOCK SALT IS NOT AVAILABLE, A CLEAN, COARSE OR EXTRA COARSE ROCK OR SOLAR SALT MAY BE USED. DO NOT USE GRANULATED SALT. CONSULT YOUR RAINSOFT DEALER FOR POTASSIUM CHLORIDE USE.

YOUR LOCAL DEALER IS AVAILABLE FOR SERVICE AND WARRANTY PART REPLACEMENTS.

SEE THE OWNERS MANUAL FOR GENERAL OPERATION AND MAINTENANCE REQUIREMENTS.

SEE WARRANTY CARD FOR SPECIFIC WARRANTY INFORMATION.

IMPORTANT NOTICE

READ THIS PERFORMANCE DATA SHEET AND COMPARE THE CAPABILITIES OF THIS UNIT WITH YOUR ACTUAL WATER TREATMENT NEEDS. IT IS RECOMMENDED THAT BEFORE PURCHASING A WATER TREATMENT UNIT, YOU HAVE YOUR WATER SUPPLY TESTED TO DETERMINE YOUR ACTUAL WATER TREATMENT NEEDS.



TESTED AND CERTIFIED BY THE WQA TO NSF/ANSI STANDARD 44 FOR THE SPECIFIC PERFORMANCE CLAIMS AS VERIFIED AND SUBSTANTIATED BY TEST DATA



TESTED AND CERTIFIED BY THE WQA TO NSF/ANSI STANDARD 372 FOR LOW LEAD COMPLIANCE

THE EC5 SERIES IS TESTED AND CERTIFIED BY WQA TO CSA B483.1 STANDARD.



DEMAND INITIATED
 WATER TREATMENT SYSTEM
 PERFORMANCE DATA SHEET

EC5 150 CV
 DEMAND INITIATED TREATMENT SYSTEM

- SERVICE FLOW RATE = 10.4 GPM (39.4 LPM)
- DRAIN FLOW RATE: 2.0 GPM (7.6 LPM)
- PSI DROP @ FLOW RATE: 15.0 psi (1.1 kgf/cm²)
- OPERATING PSI OF SUPPLY: 20 psi - 120 psi (1.47 - 8.45 kgf/cm²)
- OPERATING TEMPERATURE: 40° F - 100° F (4.4° C - 38° C)
- ELECTRICAL: 24 VAC, 50/60 Hz (COMPUTER)
- SALT PER REGENERATION: VARIABLE
- EFFICIENCY: 4,970 GRAINS/LBS. SALT @ 4.5 LBS. DOSAGE

CAPACITY AND SALT SETTINGS

CAPACITY	SALT
22,400 GRAINS	@ 4.5 LBS. OF SALT
48,500 GRAINS	@ 15.0 LBS. OF SALT
56,600 GRAINS	@ 22.5 LBS. OF SALT

LIST OF CONTAMINANTS REDUCED

CONTAMINANT	USEPA MCL
BARIUM*	2 PPM
RADIUM 226/228*	5 PCI/L

NSF/ANSI STANDARD 44 TEST CONDITIONS: 35 ± 5 psi, 65 ± 10°F, pH 7.5 ± 0.5 at service flow rate

*HARDNESS WAS USED AS A SURROGATE FOR BARIUM AND RADIUM REDUCTION CLAIMS PER NSF/ANSI STANDARD 44.

SOFTENING PERFORMANCE TEST

CHALLENGE	AVERAGE INFLUENT LEVEL	AVERAGE EFFLUENT LEVEL
HARDNESS	335 PPM	8 PPM

NSF/ANSI STANDARD 44 TEST CONDITIONS: 35 ± 5 psi, 65 ± 10°F, pH 7.5 ± 0.5 at service flow rate

ADDITIONAL NOTES

- THE LIST OF SUBSTANCES WHICH THIS TREATMENT DEVICE REDUCES DOES NOT NECESSARILY MEAN THAT THESE SUBSTANCES ARE PRESENT IN YOUR WATER SUPPLY.
- ACTUAL RESULTS MAY VARY DUE TO LOCAL WATER CONDITIONS.
- AN EFFICIENCY RATED WATER SOFTENER IS A DEMAND INITIATED REGENERATION SOFTENER, WHICH ALSO COMPLIES WITH SPECIFIC PERFORMANCE SPECIFICATIONS INTENDED TO MINIMIZE THE AMOUNT OF REGENERATE BRINE AND WATER USED IN ITS OPERATION AND WILL ACHIEVE A RATING OF NOT LESS THAN 3,350 GRAINS OF TOTAL HARDNESS EXCHANGE PER POUND OF SODIUM CHLORIDE SALT AND SHALL NOT DELIVER MORE SALT THAN ITS LISTED RATING. THE EFFICIENCY IS MEASURED BY A LABORATORY TEST DESCRIBED IN NSF/ANSI 44. THE TEST REPRESENTS THE MAXIMUM POSSIBLE EFFICIENCY THAT THE SYSTEM CAN ACHIEVE. OPERATIONAL EFFICIENCY IS THE ACTUAL EFFICIENCY ACHIEVED AFTER THE SYSTEM HAS BEEN INSTALLED AND IS TYPICALLY LESS THAN THE TESTED EFFICIENCY DUE TO INDIVIDUAL APPLICATION FACTORS INCLUDING WATER HARDNESS, WATER USAGE, AND OTHER CONTAMINANTS THAT REDUCE THE SOFTENERS CAPACITY.
- A WATER SOFTENER IS NOT INTENDED TO BE USED FOR TREATING WATER THAT IS MICROBIOLOGICALLY UNSAFE OR OF UNKNOWN QUALITY WITHOUT ADEQUATE DISINFECTION BEFORE AND AFTER THE SYSTEM.
- EFFICIENCY OF THE CONDITIONER IS VALID ONLY AT THE STATED SALT DOSAGE.

IMPORTANT NOTICE

READ THIS PERFORMANCE DATA SHEET AND COMPARE THE CAPABILITIES OF THIS UNIT WITH YOUR ACTUAL WATER TREATMENT NEEDS. IT IS RECOMMENDED THAT BEFORE PURCHASING A WATER TREATMENT UNIT, YOU HAVE YOUR WATER SUPPLY TESTED TO DETERMINE YOUR ACTUAL WATER TREATMENT NEEDS.

THE SYSTEM SHOULD BE INSTALLED IN AN AREA NOT AFFECTED BY EXTREME HEAT, COLD, OR THE ELEMENTS.

THIS SYSTEM MUST BE INSTALLED IN ACCORDANCE WITH ALL APPLICABLE STATE AND LOCAL LAWS AND REGULATIONS.

DO NOT INSTALL SYSTEM WHERE WATER IS MICROBIOLOGICALLY UNSAFE OR OF UNKNOWN QUALITY WITHOUT ADEQUATE DISINFECTION BEFORE OR AFTER THE SYSTEM.

THE SYSTEM CONTAINS AN ION-EXCHANGE MEDIA FOR REMOVING LISTED CONTAMINANTS AND MUST BE REGENERATED PERIODICALLY. PLEASE REFER TO THE OWNERS MANUAL TO DETERMINE THE FREQUENCY OF REGENERATIONS.

PLAIN, WHITE BLOCK SALT IS RECOMMENDED FOR THIS SYSTEM. IF BLOCK SALT IS NOT AVAILABLE, A CLEAN, COARSE OR EXTRA COARSE ROCK OR SOLAR SALT MAY BE USED. DO NOT USE GRANULATED SALT. CONSULT YOUR RAINSOFT DEALER FOR POTASSIUM CHLORIDE USE.

YOUR LOCAL DEALER IS AVAILABLE FOR SERVICE AND WARRANTY PART REPLACEMENTS.

SEE THE OWNERS MANUAL FOR GENERAL OPERATION AND MAINTENANCE REQUIREMENTS.

SEE WARRANTY CARD FOR SPECIFIC WARRANTY INFORMATION.

TESTED AND CERTIFIED BY THE WQA TO NSF/ANSI STANDARD 44 FOR THE SPECIFIC PERFORMANCE CLAIMS AS VERIFIED AND SUBSTANTIATED BY TEST DATA.

TESTED AND CERTIFIED BY THE WQA TO NSF/ANSI STANDARD 372 FOR LOW LEAD COMPLIANCE.

THE EC5 SERIES IS TESTED AND CERTIFIED BY WQA TO CSA B483.1 STANDARD.



Limited Lifetime Warranty

For as long as you own the equipment

RainSoft Division of Aquion, Inc. believing its

WATER TREATMENT SYSTEM

to be of exceptional quality, hereby warrants said equipment to its first purchaser at retail as follows:

The treatment tank, valve, salt container, electrical components and resins Ion-X 2000 and Ion X-100 are warranted against defects in manufacture for the lifetime of the first purchaser at retail.

This warranty begins at the time the equipment is first connected for use, and is contingent upon the return of a signed owner's registration card.

This warranty does not require replacement of the entire unit. If the equipment does not perform properly, you should request service from the dealer that sold you the equipment. If you are not satisfied, you should notify our Customer Service Manager. If we are not able to arrange local servicing, you should send the defective part(s) (or, if you prefer, send the entire unit,) directly to the manufacturer, freight prepaid, with proof of purchase and a copy of this warranty. The defective part(s) (or entire unit) will either be repaired or new RainSoft part(s) furnished, for a nominal charge to cover labor, handling, packing and the increase, if any, in the retail price of the part(s) since the date of purchase. Genuine RainSoft parts must be used. Failure to use genuine RainSoft parts will void the warranty and certifications.

This warranty does not include labor charges, and does not cover installation, transportation, or any other claims or torts. Some states do not allow the exclusion or limitation of incidental or consequential damages, so parts of the above limitation or exclusion may not apply to you.

This warranty gives you specific legal rights, and you may also have other rights which vary from state to state. You also have implied warranty rights. In the event of a problem with warranty service or performance, you may be able to go to a small claims court, a State court, or a Federal District Court.

This warranty is void if equipment is not installed and operated according to instructions. It does not apply to damage caused by abuse, accident, neglect, freezing, fire, or other abnormal conditions beyond the company's control. This warranty is void on any part from which the manufacturing date has been removed or made illegible.

Benefits will be provided by various types of RainSoft equipment when installed and operated according to the manufacturer's recommendations. Operational, maintenance and replacement requirements are essential for the product to perform as advertised. All claims are based on the best available information at the time of printing. Manufacturer makes no representations as to the suitability of this equipment for a particular application. Buyer relies entirely on the dealer's recommendations in the purchase of this equipment.

Independent RainSoft dealers may include, together with your RainSoft product, a product or component that is not manufactured by RainSoft or their parent company, Aquion, Inc. Any non-RainSoft product may be covered by the manufacturer of that product, and is not covered by the RainSoft warranty. Aquion, Inc. does not warrant that your RainSoft product and the non-RainSoft product will perform properly when used together, and assumes no liability therefore.

RainSoft Division of Aquion, Inc.
101 S. Gary Ave
Roselle, IL 60172 USA

Notes

Notes



RainSoft Division of Aquion, Inc.
101 S. Gary Ave, Roselle, IL 60172
Main Switchboard: 1.847.437.9400
Customer Service: 1.800.860.7638
www.rainsoft.com

©2016 RAINSOFT, A DIVISION OF AQUION, INC.

Rain Soft®

Taking the Worry Out of Water ...Since 1953

SISTEMA DE TRATAMIENTO DE AGUA SERIE EC5

Manual del usuario



Este producto se fabricó en una instalación certificada de acuerdo con la norma ISO 9001:2008.



La serie EC5 cuenta con comprobación y certificación de la norma NSF/ANSI 44 (Fundación Nacional de Saneamiento/Instituto Nacional de Normalización Estadounidense) de la WQA en cuanto a las reclamaciones de rendimiento específicas según lo verificado y corroborado por los datos de prueba. Consulte la hoja de datos de rendimiento para obtener las reclamaciones de reducción específicas.

La serie EC5 cuenta con comprobación y certificación de la norma NSF/ANSI 372 de la WQA para cumplir con la normativa "libre de plomo" de California.

La serie EC5 cuenta con comprobación y certificación de la norma CSA B483.1 de la WQA.

Índice

Información sobre los Sistemas de Tratamiento de Agua	39
Limitaciones de aplicación	39
Especificaciones operativas	40-42
Requisitos de salinidad	43
Limpiadores de resina	43
Requisitos de mantenimiento.....	43
Información de certificación de productos	43
Instrucciones de instalación	44-48
Puesta en marcha del sistema	48-50
Resumen del proceso de regeneración	51-52
Navegación por los menús	53-54
Nivel de salinidad.....	54
Información del sistema/Comenzar regeneración	54-56
Configuraciones.....	57-58
Configuración de Wi-Fi	59-60
Guía de Resolución de problemas	61
Vistas desplegadas y listas de piezas	62-65
Hojas de datos de rendimiento.....	66-68
Información de garantía	69

Felicitaciones por la compra del sistema de tratamiento de agua RainSoft.

Este Manual del usuario está diseñado para ayudarlo en el manejo, el mantenimiento y la instalación de su sistema de tratamiento de agua. Esperamos sinceramente que este manual sea claro, conciso y útil para usted como nuevo propietario.

¿Tiene preguntas? Si tiene preguntas con respecto a la instalación, el manejo o el mantenimiento de este sistema, comuníquese con su distribuidor local de RainSoft. Su distribuidor local de RainSoft está familiarizado con sus condiciones de agua particulares y puede abordar sus inquietudes de manera rápida y eficiente.

Información sobre los Sistemas de Tratamiento de Agua


Existen muchos conceptos erróneos que se formaron en torno a los sistemas de tratamiento de agua. El principal tema de confusión es la cantidad de sodio (Na), no sal de mesa (NaCl), que se agrega al agua de un acondicionador de agua. En realidad, el intercambio de iones reemplaza los iones de dureza del agua con iones de sodio, pero el error común es la cantidad utilizada.


Por cada 1 grano de dureza, el proceso de intercambio proporcionará aproximadamente 8 miligramos de sodio por 1 litro de agua. La cantidad de sodio presente en un vaso estándar de 8 onzas de agua tratada, que tenía una dureza de 10 granos antes del tratamiento, sería de alrededor de 19 miligramos de sodio. Esta es una cantidad de sodio insignificante si consideramos que una rebanada típica de pan blanco tiene alrededor de 140 miligramos.


Otro error común que cabe mencionar es la cantidad de sal utilizada por el acondicionador para regenerar el sistema. En el pasado, los acondicionadores de agua utilizaban más sal para la regeneración, pero eso se debía a las antiguas normas y tecnologías. Los acondicionadores de agua utilizan sal para la regeneración, pero la cantidad de sal varía según el consumo de agua y los niveles de dureza. Afortunadamente, la tecnología de hoy nos permite dispensar la cantidad exacta de sal para lograr la máxima eficiencia, según sus necesidades de consumo de agua individuales.

Limitaciones de aplicación


- Con un nivel de dureza de 60 granos o más, es posible que el sistema no logre una dureza inferior a un 1 grano; debido a una alta cantidad Total de Sólidos Disueltos, es posible que se produzca algún drenaje. El drenaje también puede producirse por niveles de sodio superiores a 1000 partes por millón. En cualquier caso, su sistema se puede programar para minimizar estos efectos. Consulte a su proveedor de RainSoft para obtener más detalles.
- Los niveles de cloro o cloramina en el agua tratada por la municipalidad no deben superar las 4 partes por millón*. Cuando los niveles de cloro o cloramina equivalen a 4 partes por millón* o más, puede haber efectos adversos en su sistema. En las aplicaciones en las que el alto nivel es preocupante, es necesaria una filtración previa para reducir la cantidad de cloro o cloramina a un nivel aceptable. Consulte a su proveedor de RainSoft para obtener más detalles.
- Cuando este sistema se instala en agua con hierro ferroso, también conocido como hierro en agua limpia, la relación máxima de eliminación se basa en las condiciones del agua local. La relación es generalmente de 2 a 10 partes por millón. Su equipo puede necesitar programación especial, junto con un aditivo al tanque de salmuera, para maximizar la capacidad del equipo de eliminar el hierro. Consulte a su proveedor de RainSoft para obtener más detalles.

 **Consejo útil:** Otro error común sobre los sistemas de tratamiento de agua es la idea de que el agua blanda produce cubos de hielo transparentes. Los cubos de hielo turbios, opacos o blancos son ocasionados por el aire que se libera lentamente del agua durante el proceso de congelamiento, lo cual no tiene nada que ver con el rendimiento de su sistema.

 **Nota importante:** Este sistema se puede instalar en agua de pozo o suministros de agua tratada por la municipalidad.

 **Nota importante:** La mayoría de los suministros de agua tratada por la municipalidad contiene cloro como desinfectante. Muchas municipalidades también inyectan amoníaco en el suministro de agua, lo que crea cloramina.

* Nivel máximo de desinfectante de cloro o cloramina recomendado por la EPA (Agencia de Protección Ambiental).

 **Nota importante:** La resina contaminada con hierro no es elegible para el reemplazo cubierto por la garantía.

Especificaciones operativas

Tuberías

I.D. (diámetro interno) de 3/4 pulgadas a 1 1/4 pulgadas

Línea de drenaje

I.D. (diámetro interno) de 1/2 pulgadas

Presión del agua

20 psi–120 psi (1.38 bar – 6.89 bar)

Temperaturas de funcionamiento

40 °F–100 °F (4.4 °C – 37.8 °C)

Requisitos eléctricos

Se requiere un suministro de corriente con la conexión a tierra adecuada (110 VAC 60 Hz o 230 VAC 50 Hz) para el funcionamiento de este sistema.

Válvula de desviación

La válvula de desviación le permite eludir el sistema en las siguientes situaciones: pérdidas de emergencia en el equipo, llamadas de servicio.

Condiciones de las tuberías existentes

Las tuberías no deben contener acumulación de lima y/o hierro. Las tuberías que contienen gran cantidad de lima y/o hierro se deben reemplazar.

Especificaciones adicionales

- No instale este sistema en lugares donde el agua presenta contaminación microbiológica o es de calidad desconocida sin la correcta desinfección previa o posterior del sistema.
- Este sistema se debe instalar de acuerdo con todas las leyes y reglamentaciones estatales y locales.
- Se debe cumplir el Código de Fontanería de la Mancomunidad de Massachusetts 248 CMR. Se debe contratar un plomero certificado para esta instalación.
- Este sistema se debe instalar en un área que no se vea afectada por calor o frío extremo, ni inclemencias del tiempo. El área de instalación seleccionada debe ser adecuada para un fácil mantenimiento y accesibilidad.
- Este sistema está diseñado para tratar agua fría únicamente. La instalación debe realizarse en un suministro de agua fría.

! Nota importante: Este sistema requiere el uso de la fuente de alimentación suministrada (24 VDC).

! Nota importante: La válvula de desviación de operación manual permite que el acondicionador se pueda separar de la línea de servicio de agua para mantenimiento y reparación. También mantiene la continuidad del suministro de agua cuando el acondicionador está desconectado.

Gráfico de datos para resina ION-X 2000 V

Modelo	Tamaño del Tanque (pulgadas)	Resina de intercambio o catiónico (pies cúbicos)	Flujo de servicio máx. (gpm)	Flujo de drenaje (gpm)	Caída de psi	Salinidad alta	Salinidad media	Salinidad baja	Eficiencia*
EC5 50 V	8 x 44	0.5	10	1.5	14.0	17 400@ 7.5 lbs	14 200 @5.0 lbs	6600 @ 1.5 lbs	4400 @ 1.5 lbs
EC5 50 CV	8 x 44	0.5	10	1.5	13.0	17 400@ 7.5 lbs	15 500 @ 5.0 lbs	6600 @ 1.5 lbs	4400 @ 1.5 lbs
EC5 60SS V	10 x 18	0.6	9.5	2.0	9.0	19 000@ 9.0 lbs	15 500 @ 6.0 lbs	7200 @ 1.8. lbs	4010 @ 1.8 lbs
EC5 60SS CV	10 x 18	0.6	9.5	2.0	8.0	19 000@ 9.0 lbs	15 500 @ 6.0 lbs	7200 @ 1.8. lbs	4010 @ 1.8 lbs
EC5 60S V	10 x 35	0.6	9.5	2.0	9.0	19 000@ 9.0 lbs	15 500 @ 6.0 lbs	7200 @ 1.8. lbs	4010 @ 1.8 lbs
EC5 60S CV	10 x 35	0.6	9.5	2.0	8.0	19 000@ 9.0 lbs	15 500 @ 6.0 lbs	7200 @ 1.8. lbs	4010 @ 1.8 lbs
EC5 75 V	8 x 44	0.75	8.6	1.5	15.0	26 100 @ 11.2 lbs	21 300 @ 7.5 lbs	9900 @ 2.25 lbs	4400 @ 2.25 lbs
EC5 75 CV	8 x 44	0.75	9.2	1.5	15.0	26 100 @ 11.2 lbs	21 300 @ 7.5 lbs	9900 @ 2.25 lbs	4400 @ 2.25 lbs
EC5 100 V	10 x 44	1.0	10.0	2.0	10.0	34 500 @ 15.0 lbs	30 500 @ 10.0 lbs	14 200 @ 3.0 lbs	4750 @ 3.0 lbs
EC5 100 CV	10 x 44	1.0	10.0	2.0	11.0	34 500 @ 15.0 lbs	30 500 @ 10.0 lbs	14 200 @ 3.0 lbs	4750 @ 3.0 lbs
EC5 100S V	10 x 35	1.0	10.0	2.0	10.0	34 500 @ 15.0 lbs	30 500 @ 10.0 lbs	14 200 @ 3.0 lbs	4750 @ 3.0 lbs
EC5 100S CV	10 x 35	1.0	10.0	2.0	11.0	34 500 @ 15.0 lbs	30 500 @ 10.0 lbs	14 200 @ 3.0 lbs	4750 @ 3.0 lbs
EC5 150 V	10 x 54	1.5	9.0	2.0	10.0	51 800 @ 22.5 lbs	45 800 @ 15.0 lbs	21 400 @ 4.5 lbs	4750 @ 4.5 lbs
EC5 150 CV	10 x 54	1.5	10.4	2.0	15.0	51 800 @ 22.5 lbs	45 800 @ 15.0 lbs	21 400 @ 4.5 lbs	4750 @ 4.5 lbs
EC5 250 V	13 x 54	2.5	10.4	3.0	10.0	86 300 @ 37.5 lbs	76 400 @ 25.0 lbs	35 600 @ 7.5 lbs	4750 @ 7.5 lbs
EC5 250 CV	13 x 54	2.5	10.5	3.0	12.0	86 300 @ 37.5 lbs	76 400 @ 25.0 lbs	35 600 @ 7.5 lbs	4750 @ 7.5 lbs
EC5 400 V	14 x 65	4.0	10.0	4.0	10.0	138 100 @ 60.0 lbs	122 200 @ 40.0 lbs	57 000 @ 12.0 lbs	4750 @ 12.0 lbs
EC5 400 CV	14 x 65	4.0	11.3	4.0	14.0	138 100 @ 60.0 lbs	122 200 @ 40.0 lbs	57 000 @ 12.0 lbs	4750 @ 12.0 lbs
EC5-CAB 60SS V	10 x 18	0.6	9.5	2.0	9.0	19 000@ 9.0 lbs	15 500 @ 6.0 lbs	7200 @ 1.8. lbs	4010 @ 1.8 lbs
EC5-CAB 60SS CV	10 x 18	0.6	9.5	2.0	8.0	19 000@ 9.0 lbs	15 500 @ 6.0 lbs	7200 @ 1.8. lbs	4010 @ 1.8 lbs
EC5-CAB 60 V	10 x 35	0.6	9.5	2.0	9.0	19 000@ 9.0 lbs	15 500 @ 6.0 lbs	7200 @ 1.8. lbs..	4010 @ 1.8 lbs
EC5-CAB 60 CV	10 x 35	0.6	9.5	2.0	8.0	19 000@ 9.0 lbs	15 500 @ 6.0 lbs	7200 @ 1.8. lbs	4010 @ 1.8 lbs
EC5-CAB 100 V	10 x 35	1.0	10.0	2.0	10.0	34 500 @ 15.0 lbs	30 500 @ 10.0 lbs	14 200 @ 3.0 lbs	4750 @ 3.0 lbs
EC5-CAB 100 CV	10 x 35	1.0	10.0	2.0	12.0	34 500 @ 15.0 lbs	30 500 @ 10.0 lbs	14 200 @ 3.0 lbs	4750 @ 3.0 lbs

Los acondicionadores cuentan con calificación de eficiencia según NSF/ANSI 44. La eficiencia del acondicionador es válida únicamente con las dosis de sal especificadas.

La presión alta o baja afecta la eficiencia del sistema.

Gráfico de datos para resina ION-X 100 T

Modelo	Tamaño del tanque (pulgadas)	Resina de intercambio o catiónico (pies cúbicos)	Flujo de servicio máx. (gpm)	Flujo de drenaje (gpm)	Caída de psi	Salinidad alta	Salinidad media	Salinidad baja	Eficiencia*
EC5 50 T	8 x 44	0.5	10	1.5	12.0	10 800 @ 7.5 lbs	9200 @ 5.0 lbs	4400 @ 1.5 lbs	n/c
EC5 50 CT	8 x 44	0.5	10	1.5	13.0	10 800 @ 7.5 lbs	9200 @ 5.0 lbs	4400 @ 1.5 lbs	n/c
EC5 60SS T	10 x 18	0.6	10	2.0	9.0	11 900 @ 9.0 lbs	10 000 @ 6.0 lbs	4800 @ 1.8 lbs	n/c
EC5 60SS CT	10 x 18	0.6	10	2.0	9.0	11 900 @ 9.0 lbs	10 000 @ 6.0 lbs	4800 @ 1.8 lbs	n/c
EC5 60S T	10 x 35	0.6	10	2.0	9.0	11 900 @ 9.0 lbs	10 000 @ 6.0 lbs	4800 @ 1.8 lbs	n/c
EC5 60S CT	10 x 35	0.6	10	2.0	9.0	11 900 @ 9.0 lbs	10 000 @ 6.0 lbs	4800 @ 1.8 lbs	n/c
EC5 75 T	8 x 44	0.75	9.9	1.5	14.0	16 300 @ 11.2 lbs	13 800 @ 7.5 lbs	6600 @ 2.25 lbs	n/c
EC5 75 CT	8 x 44	0.75	9.4	1.5	15.0	16 300 @ 11.2 lbs	13 800 @ 7.5 lbs	6600 @ 2.25 lbs	n/c
EC5 100 T	10 x 44	1.0	10.0	2.0	10.0	30 500 @ 15.0 lbs	26 100 @ 10.0 lbs	13 500 @ 3.0 lbs	4516 @ 3.0 lbs
EC5 100 CT	10 x 44	1.0	10.0	2.0	11.0	30 500 @ 15.0 lbs	26 100 @ 10.0 lbs	13 500 @ 3.0 lbs	4516 @ 3.0 lbs
EC5 100S T	10 x 35	1.0	10.0	2.0	10.0	30 500 @ 15.0 lbs	26 100 @ 10.0 lbs	13 500 @ 3.0 lbs	4516 @ 3.0 lbs
EC5 100S CT	10 x 35	1.0	10.0	2.0	11.0	30 500 @ 15.0 lbs	26 100 @ 10.0 lbs	13 500 @ 3.0 lbs	4516 @ 3.0 lbs
EC5 150 T	10 x 54	1.5	9.6	2.0	12.0	45 700 @ 22.5 lbs	39 200 @ 15.0 lbs	20 300 @ 4.5 lbs	4516 @ 4.5 lbs
EC5 150 CT	10 x 54	1.5	9.6	2.0	13.0	45 700 @ 22.5 lbs	39 200 @ 15.0 lbs	20 300 @ 4.5 lbs	4516 @ 4.5 lbs
EC5 150 CT	10 x 54	1.5	9.6	2.0	13.0	45 700 @ 22.5 lbs	39 200 @ 15.0 lbs	20 300 @ 4.5 lbs	4516 @ 4.5 lbs
EC5 250 T	13 x 54	2.5	11.4	3.0	12.0	76 200 @ 37.5 lbs	65 400 @ 25.0 lbs	33 800 @ 7.5 lbs	4516 @ 7.5 lbs
EC5 250 CT	13 x 54	2.5	11.2	3.0	13.0	76 200 @ 37.5 lbs	65 400 @ 25.0 lbs	33 800 @ 7.5 lbs	4516 @ 7.5 lbs
EC5 400 T	14 x 65	4.0	10.8	4.0	12.0	122 000 @ 60.0 lbs	104 700 @ 40.0 lbs	54 100 @ 12.0 lbs	4516 @ 12.0 lbs
EC5 400 CT	14 x 65	4.0	10.8	4.0	12.0	122 000 @ 60.0 lbs	104 700 @ 40.0 lbs	54 100 @ 12.0 lbs	4516 @ 12.0 lbs
EC5-CAB 60 T	10 x 35	0.6	10	2.0	9.0	11 900 @ 9.0 lbs	10 000 @ 6.0 lbs	4800 @ 1.8 lbs	n/c
EC5-CAB 60 CT	10 x 35	0.6	10	2.0	9.0	11 900 @ 9.0 lbs	10 000 @ 6.0 lbs	4800 @ 1.8 lbs	n/c
EC5-CAB 60SS T	10 x 18	0.6	10	2.0	9.0	11 900 @ 9.0 lbs	10 000 @ 6.0 lbs	4800 @ 1.8 lbs	n/c
EC5-CAB 60SS CT	10 x 18	0.6	10	2.0	9.0	11 900 @ 9.0 lbs	10 000 @ 6.0 lbs	4800 @ 1.8 lbs	n/c
EC5-CAB 100 T	10 x 35	1.0	10.0	2.0	10.0	30 500 @ 15.0 lbs	26 100 @ 10.0 lbs	13 500 @ 3.0 lbs	4516 @ 3.0 lbs
EC5-CAB 100 CT	10 x 35	1.0	10.0	2.0	11.0	30 500 @ 15.0 lbs	26 100 @ 10.0 lbs	13 500 @ 3.0 lbs	4516 @ 3.0 lbs

* Los acondicionadores cuentan con calificación de eficiencia según NSF/ANSI 44. La eficiencia del acondicionador es válida únicamente con las dosis de sal especificadas. La presión alta o baja afecta la eficiencia del sistema.

Requisitos de salinidad

Se recomiendan dos tipos de sal para los acondicionadores de agua:

Sal en bloque: La sal en bloque para acondicionador de agua tiene un precio razonable, un bajo contenido de impurezas y no se solidifica en el recipiente de sal.

Sal solar: La sal solar tiene un precio razonable y un bajo contenido de impurezas.

Nota importante: No se recomienda la sal de roca para los acondicionadores de agua RainSoft. Si se utiliza sal de roca, el contenedor de sal debe limpiarse periódicamente. ¡NO UTILICE SAL GRANULADA! El uso de sal granulada puede ocasionar problemas de mantenimiento.

Limpiadores de resina

Siempre es recomendable realizar un mantenimiento preventivo al sistema. Si hay pequeñas cantidades de hierro en el agua, utilice un removedor de hierro que contenga sal o agregue limpiador acondicionador de agua RainSoft al tanque de sal cuando agregue la sal. Si hay una excesiva cantidad de hierro en el agua, recomendamos la instalación de un filtro de hierro antes del acondicionador. Consulte a su proveedor de RainSoft para obtener más detalles.

Consejo útil: El limpiador de resina evita que el medio de tratamiento se contamine con hierro.

Nota importante: Si utiliza un limpiador que contenga ácido nítrico u otro agente oxidante potente, tenga cuidado y siga las instrucciones atentamente.

Requisitos de mantenimiento

Limpieza de la válvula de regeneración

El cuerpo de la válvula de regeneración está diseñado para durar toda la vida, pero cada cierto tiempo es posible que sea necesario limpiar y lubricar las piezas móviles. La calidad del agua y la cantidad de regeneraciones necesarias afectará este cronograma de mantenimiento. Su distribuidor local de RainSoft está capacitado sobre las diferentes cualidades del agua y tendrá las piezas necesarias para completar este servicio.

Consejo útil: Recomendamos que este mantenimiento se realice cada tres años o con más frecuencia si es necesario.

Comprobación del agua

Si cuenta con este sistema para la reducción de bario y radio, recomendamos comprobar el agua periódicamente (2 veces por año) con una tira de prueba de dureza (suministrada) para garantizar que el sistema funcione correctamente y que se reduzca la dureza y la cantidad de bario y radio*. RainSoft ofrece tiras de prueba de dureza adicionales sin costo. Comuníquese al 1-800-860-7638 para recibir el suministro gratuito por dos años.

Nota importante: La tira de prueba suministrada solo sirve para comprobar la dureza. La reducción de la dureza también indica que se redujo la cantidad de bario y radio*.

Entre las pruebas, puede controlar fácilmente el rendimiento del sistema en la ducha o mientras se lava las manos. Debe sentir la sensación del agua dulce en la piel.

Información de certificación del producto

La serie EC5 cuenta con comprobación y certificación de la norma NSF/ANSI 44 de WQA en cuanto a las reclamaciones de rendimiento específicas según lo verificado y corroborado por los datos de prueba. Consulte las hojas de datos de rendimiento para las reclamaciones de reducción específicas.

La serie EC5 cuenta con comprobación y certificación de la norma NSF/ANSI 372 de la WQA para cumplir con la normativa “libre de plomo” de California.

La serie EC4 cuenta con comprobación y certificación de la norma CSA B483.1 de la WQA.

Instrucciones de instalación

1. Precauciones de seguridad

- Para evitar que se produzca un accidente y/o una lesión, no eleve la unidad por encima del hombro. Utilice una carretilla de carga para transportar la unidad.
- No apoye la unidad sobre su costado.
- Utilice gafas de seguridad y guantes de trabajo durante la instalación.

2. Comprobación del agua cruda

- Si el agua contiene hierro, manganeso o sulfuro de hidrógeno, se recomienda que consulte a su distribuidor local para la instalación de un sistema de eliminación de hierro independiente antes que el acondicionador.

3. Control de la presión del agua

- Utilice un manómetro para confirmar que la presión del agua no supere los 120 psi. Si la presión del agua supera su límite, instale un regulador de presión en la tubería de entrada. La presión mínima del agua para un acondicionador es 20 psi. 60 psi es la presión operativa óptima.

4. Ubicación del sistema

- Existen tres requisitos primarios necesarios para el sitio: la principal fuente de agua, un drenaje con espacio de aire y una conexión eléctrica a tierra. Ubique el sistema lo más cerca posible de los elementos. Es posible que se necesite aumentar el tamaño de las líneas de drenaje superiores a los 50 pies de largo para permitir el flujo adecuado.
- Coloque el sistema en la ubicación deseada. La ubicación debe tener una superficie nivelada, uniforme y limpia.
- Si el sistema se coloca al aire libre, proteja la unidad de la luz solar directa. La luz solar directa puede dañar la fibra de vidrio y otros componentes del sistema. Si es necesario, construya una caja o caseta.

5. Instalación de la cabeza de válvula

- Retire el tapón de inserción del tanque.
- Lubrique la junta tórica del tubo ascendente y la junta tórica del tanque con lubricante a base de silicona Dow 111 o equivalente.
- Conecte la cesta superior proporcionada en la parte inferior de la válvula de control; gírela para asegurarla en su lugar. No la utilice si el agua contiene alguna cantidad de hierro.

! Nota importante: Solo para residentes de Massachusetts: Se debe cumplir el Código de Fontanería de la Mancomunidad de Massachusetts 248 CMR. Se debe contratar un plomero certificado para esta instalación.

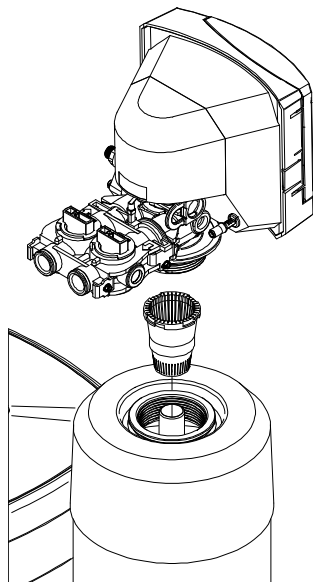
! Consejo útil: El drenaje puede ser un drenaje de piso, alcantarilla, fregadero, chimenea de evacuación, pozo seco, etc., de acuerdo con los códigos de fontanería locales.

! Nota importante: El sistema solo puede instalarse en el exterior en climas en los que no se alcancen niveles de congelamiento.

! Nota importante: No corresponde a los modelos EC5-CAB y SS.

! Nota importante: No ajuste en exceso la válvula al tanque.

Figura 1



- Alinee la cesta superior con el tubo ascendente y gire lentamente la válvula de control para bajarla hacia el tubo ascendente.
- Alinee la válvula de control con el tanque. Presione la válvula de control y continúe girándola en sentido horario hasta que las juntas tóricas se sellen contra el tanque.

6. Cierre el paso del agua y drene la tubería.

- Cierre el paso del agua en el medidor o el tanque de presión.
- Para drenar el sistema de tuberías, abra todos los grifos de la casa y suelte el agua de los inodoros. El agua se drenará desde el grifo o la salida inferior.
- No deje que las tuberías exudan si tienen agua en el interior o están conectadas al sistema; el vapor dañará las piezas de plástico de la válvula.
- No apunte el soplete de soldar directamente hacia el tanque de resina o válvula de control. Estos materiales compuestos durarán toda la vida, pero no pueden resistir el calor intenso de un soplete.
- Evite las conexiones cortas de tuberías entre el sistema y el calentador de agua. Si no puede evitar una conexión corta, desplace el sistema hacia otra ubicación. Como último recurso, instale un acumulador de calorías o una válvula de retención. Si esto ocasiona “golpes de ariete”, instale un supresor de golpes de ariete.

Consejo útil: Este procedimiento permitirá que ingrese aire al sistema de tuberías.

Nota importante: Aplicable para instalaciones de tuberías de cobre.

Nota importante: Las conexiones cortas de tuberías pueden permitir que el agua caliente regrese al sistema.

7. Proporcione agua sin tratar para irrigación o riego exterior.

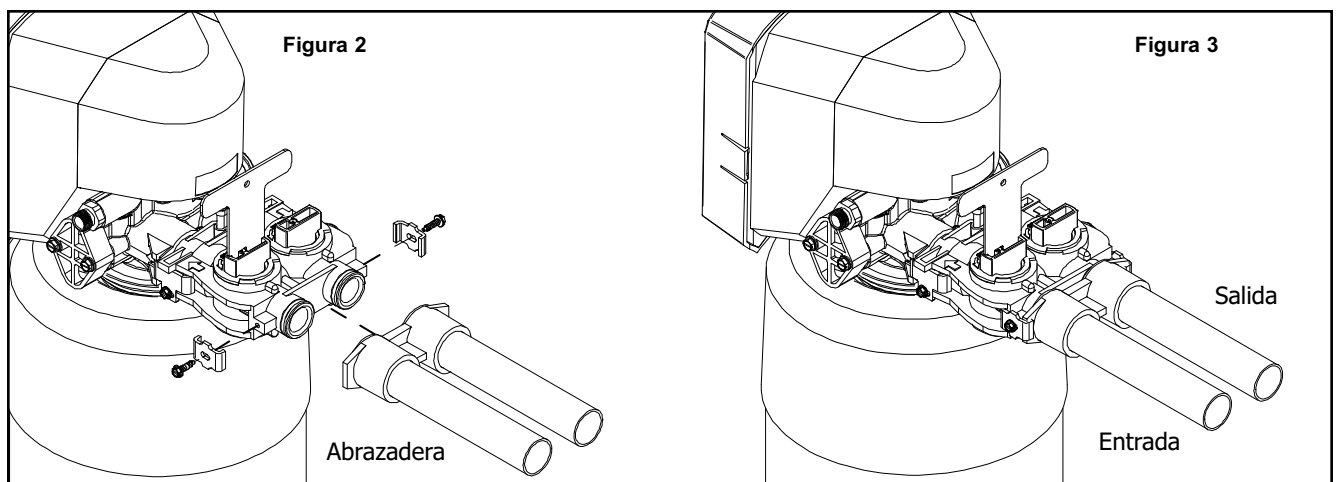
- Si es posible, coloque una línea de agua sin tratar hacia el grifo exterior o proporcione una conexión de manguera en la línea de agua sin tratar antes del sistema.

8. Instale un conector de tubería (abrazadera) en la válvula de desviación.

- Una vez que se complete la instalación de las tuberías, conecte la abrazadera en la válvula de desviación (consulte la Figura 2).
- Sujete todas las tuberías conectadas a la abrazadera.
- Conecte el suministro de agua cruda a la conexión de la tubería de entrada de la abrazadera. Si mira la parte frontal del sistema, la entrada es la conexión de la tubería que se encuentra del lado derecho de la válvula (consulte la Figura 3). La flecha moldeada en la válvula indica la dirección del flujo.
- Conecte la tubería de agua tratada a la conexión de la tubería de salida de la abrazadera. Si mira la parte frontal del sistema, la salida es la conexión de la tubería que se encuentra del lado izquierdo de la válvula (consulte la Figura 3). La flecha moldeada en la válvula indica la dirección del flujo.

Nota importante: La válvula de desviación no está diseñada para resistir el calor de soldadura o el giro de las conexiones a rosca.

Nota importante: Demasiado peso en las conexiones de las tuberías puede ocasionar pérdidas.



- Asegúrese de que la válvula de desviación esté en la posición de desviación. Las manijas de la válvula deben estar de manera perpendicular a las tuberías (consulte la Figura 4).

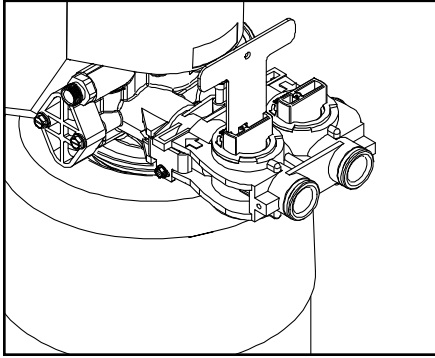
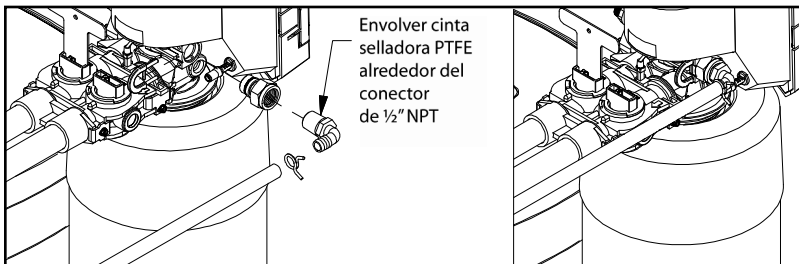


Figura 4

9. Instale la línea de drenaje con espacio de aire (espacio de aire no suministrado).

- Para todas las líneas de drenaje, utilice una línea de 1/2 pulgada de I.D. (diámetro Interno).
- Conecte la línea de drenaje con la salida del drenaje en la parte posterior de la válvula, en sentido opuesto a la conexión de entrada (consulte la Figura 5). Se necesita una conexión para conectar la tubería hembra con la línea de drenaje.

Figura 5



- Dirija la línea de drenaje hacia el espacio de aire. El espacio de aire se debe instalar entre el extremo de la línea de drenaje y el drenaje para evitar posible reflujo de desviación (consulte la Figura 6).

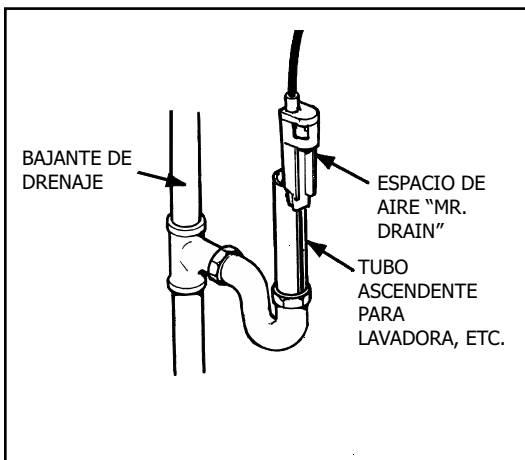


Figura 6

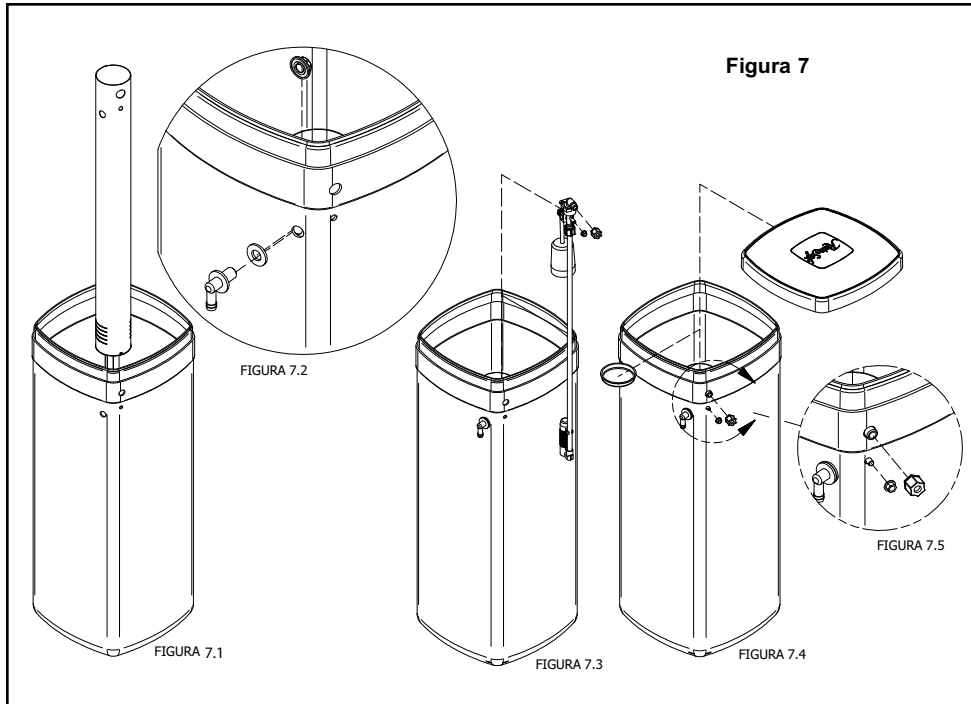
! Nota importante: El espacio de aire debe tener dos veces el diámetro de la línea de drenaje o un mínimo de dos pulgadas. Consulte los códigos de fontanería locales para garantizar el cumplimiento.

10. Instale el flotador de seguridad para salmuera

- Introduzca el pozo de salmuera en el tanque de salmuera (consulte la Figura 7,1).
- Conecte el pozo de salmuera en el tanque de salmuera con el codo de desbordamiento (consulte la Figura 7.2).
- Introduzca el flotador de seguridad en el pozo de salmuera. La parte superior del flotador de seguridad debe estar alrededor de 5 pulgadas del codo de desbordamiento (consulte la Figura 7.3).

! Nota importante:
• No corresponde a los modelos EC5-CAB.

11. Instale la línea de salmuera



- Deslice la tuerca de compresión de latón por encima de la línea de salmuera, seguidos del casquillo y el soporte del tubo. Conecte la línea de salmuera con el conector de latón en el costado derecho de la válvula (consulte la Figura 8).
- Introduzca un soporte de tubo en el otro extremo de la línea de salmuera y empuje la línea de salmuera hacia el codo del flotador de seguridad para salmuera. Utilice un clip de seguridad para sujetar la conexión (consulte la Figura 8).

! Nota importante: No corresponde a los modelos EC5-CAB.

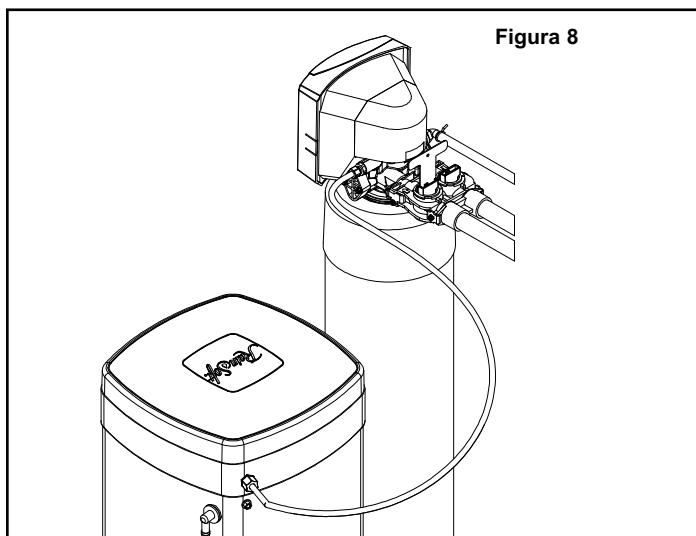


Figura 8

! Nota Importante para los modelos EC5-CAB: El codo de desbordamiento está ubicado en la parte posterior del contenedor de sal del tanque (no se muestra).

! Nota importante: La línea de desbordamiento de agua salada no debe ser superior que el codo de desbordamiento del tanque de salmuera. (Esto constituye un desbordamiento de gravedad).

Esta línea solo se utiliza cuando fallan otras válvulas de desbordamiento.

12. Instale una línea de desbordamiento de salmuera (interiores)

- Coloque una línea de desbordamiento de salmuera de 1/2 pulgada de I.D. (diámetro Interno) desde el codo de desbordamiento del costado del tanque de salmuera hasta un drenaje aprobado (consulte la Figura 8).

13. Conecte la conexión eléctrica.

- Introduzca el tapón de barril de la fuente de alimentación de CC en el conector de acoplamiento de la caja de control.
- Enchufe la fuente de alimentación de CC a un tomacorriente de 110 VAC 60 Hz o 230 VAC 50 Hz.

Arranque del sistema

1. Abra el paso del agua y controle que no haya pérdidas.

- Cierre todos los grifos y vuelva a abrir el paso del agua en el medidor de agua o el tanque de presión.
- Controle que no haya pérdidas. Si se observa una pérdida, vuelva a drenar la tubería antes de soldar.


2. Descargue el resto de desechos del sistema.

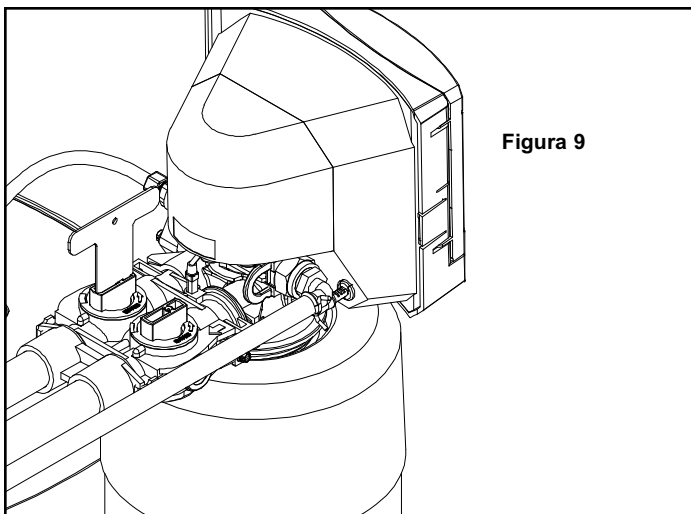
- Abra el grifo de agua fría de la bañera.
- Deje que el sistema descargue el resto de suciedad y desechos en la bañera, hasta que el agua salga clara.
- Abra el resto de los grifos y deje que la tubería libere todo el aire atrapado en el sistema.
- Cierre todos los grifos.

3. Abra la válvula de desviación.

- Mueva las manijas de la válvula de desviación hasta la posición de servicio. Las manijas de la válvula deben estar paralelas a las tuberías (consulte la Figura 9).
- Abra el grifo de agua fría de la bañera y deje que el dispositivo se descargue durante 20 minutos o hasta que hayan pasado aproximadamente 100 galones por este.

 **Consejo útil:** Este procedimiento evita que ingresen a la válvula suciedad y desechos.

 **Consejo útil:** Es común que los nuevos sistemas presenten algún color en el agua. El color debe desaparecer después de que se descargue completamente el sistema.



4. Descargue el calentador de agua

- Deje correr el agua caliente en la bañera hasta que el agua salga dulce.

5. Agregue sal al tanque de salmuera

Recomendaciones de salinidad

Los acondicionadores de agua RainSoft utilizan sal en bloque, sal solar (gránulos) o cloruro de potasio para descalcificar el agua. Su proveedor le suministrará el tipo de sal recomendada para utilizar. Vaya a Main Menu (Menú principal), > Configure Settings (Configuraciones), > Salt Settings (Configuraciones de salinidad) para cambiar el tipo de sal (sodio o potasio) y la forma de sal (gránulos o bloque).

Adición de sal al tanque de salmuera

- 1) Llene el tanque de sal con sal en bloque, sal solar (gránulos) o cloruro de potasio. El tanque de salmuera estándar de RainSoft tiene una capacidad máxima de 250 lbs [113 kg] o LEVEL 5.0 (Nivel 5.0) de sal en gránulos y 200 lbs [90 kg] o Level 4.0 (Nivel 4.0) de sal en bloque.
 - La sal solar y el cloruro de potasio generalmente vienen en bolsas de 40 lbs en forma de gránulos. Vacíe el contenido de gránulos en el centro del tanque de salmuera para llenarlo.
 - La sal en bloque viene en bloques de 25 lbs O 50 lbs. Consulte las figuras de apilamiento de bloques de la página 14 para obtener información sobre el apilamiento correcto e incorrecto de los bloques de sal.
- 2) En su EC5, presione cualquier botón de la pantalla de inicio para ingresar al menú principal, luego seleccione >SALT LEVEL (Nivel de sal), presione Enter (Aceptar) o el botón de la flecha derecha. Con las flechas hacia arriba y hacia abajo, establezca el nivel de sal según el nivel al que está llenado tanque de salmuera. Puede consultar el peso de la sal introducida para conocer con precisión la cantidad de sal utilizada. El nivel 1.0 equivale a 50 lbs [22 kg] de sal.
- 3) Presione el botón Enter (Aceptar) para guardar el nuevo nivel de sal y salir de la pantalla de nivel de sal. Presione el botón de la flecha izquierda para salir del menú principal y regresar a la pantalla de inicio.

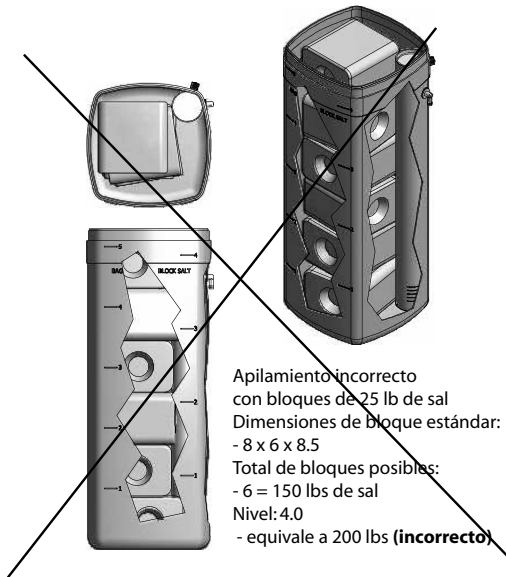
Nota: Si sale de la pantalla de nivel de sal con el botón de la flecha izquierda NO se guardarán las nuevas configuraciones de salinidad.

! Nota importante: Es importante mantener al menos entre 15 lbs y 30 lbs de sal en el tanque de salmuera para regenerar correctamente el Sistema y continuar disfrutando de agua dulce. Se activarán alertas LOW SALT (Baja Cantidad de Sal) para los niveles de sal inferiores a 30 lbs.

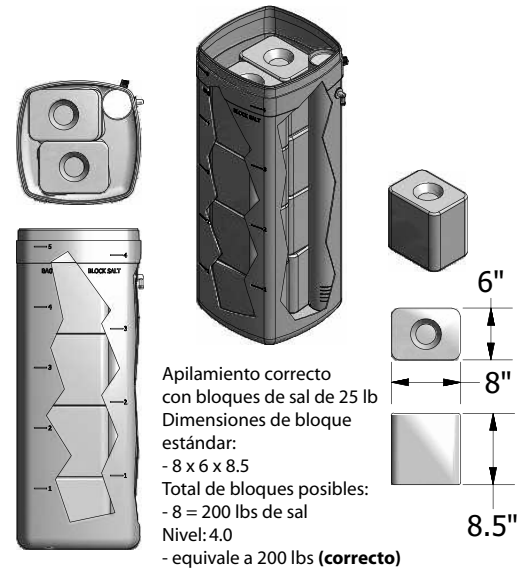
! Recomendaciones: Si elige utilizar las dos formas de sal, en bloque y en gránulos, para llenar el tanque de salmuera, recomendamos mantener la configuración en Pellet Form (Forma de gránulos). No recomendamos este método de llenado del tanque de salmuera para los tamaños de sistemas de los modelos EC5 150 y superiores. El volumen total de sal en el tanque de salmuera lleno no dejará suficiente espacio para que el agua genere la cantidad correcta de solución de salmuera para regenerar su sistema completamente.

APILAMIENTO DE SAL EN BLOQUE: BLOQUES de 25 lbs

APILAMIENTO INCORRECTO

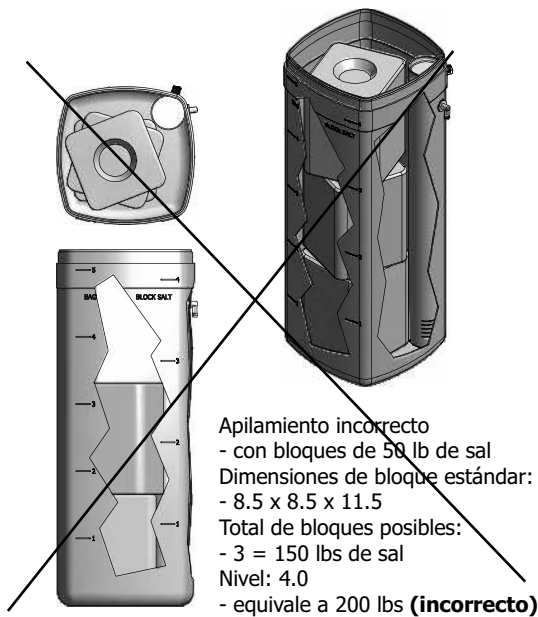


APILAMIENTO CORRECTO

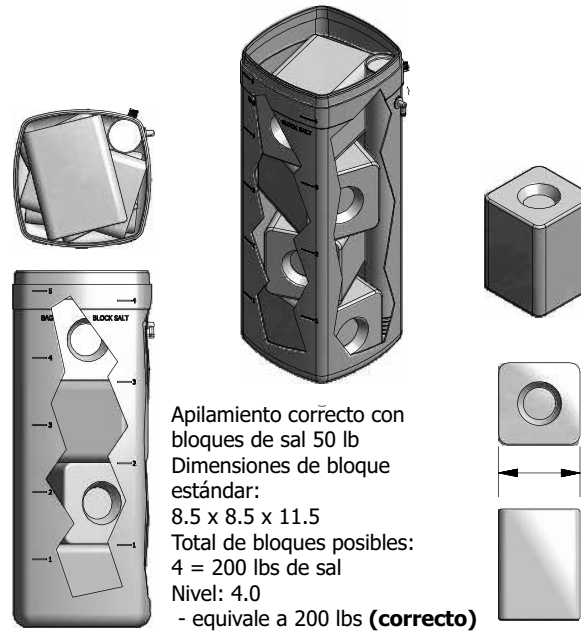


APILAMIENTO DE SAL EN BLOQUE: BLOQUES de 50 lbs

APILAMIENTO INCORRECTO



APILAMIENTO CORRECTO



6. Desinfecte el acondicionador.

- Mezcle 3/4 de taza de blanqueador común de uso doméstico (sin perfume) 5.25 % con 1 cuarto de agua. Vierta esta solución en el pozo de salmuera.
- Inicie una regeneración manual. La solución se introducirá al acondicionador durante el proceso de regeneración.
- Después de que el sistema complete la regeneración manual, el acondicionador se desinfectará y estará listo para usar.

! Nota importante: No vierta blanqueador sin diluir en el acondicionador de agua.

Resumen del proceso de regeneración

Su acondicionador de agua RainSoft EC5 realiza un ciclo de regeneración periódico para autolimpiarse y restaurar su capacidad. La frecuencia de la regeneración depende de la cantidad de agua utilizada, la dureza del agua entrante y varios otros factores, pero generalmente es entre 1 y 2 veces por semana. Nunca se producirá una regeneración automática más de una vez por día. Está programada para llevarse a cabo en un momento en el que es muy poco probable que esté utilizando agua (últimas horas de la noche). El momento de la regeneración se puede ajustar a través de la interfaz de control o la aplicación del cliente. A continuación se presenta un resumen del proceso de regeneración:

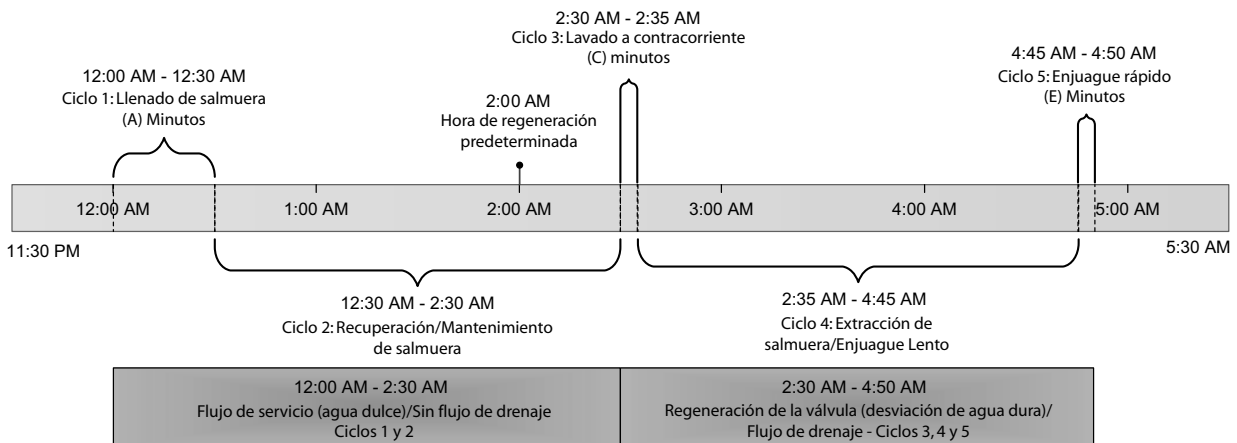
CICLO 1- Llenado con salmuera

El primer paso para la regeneración es la adición de agua al tanque de salmuera. La cantidad de sal que utiliza el acondicionador en la regeneración está directamente relacionada con la cantidad de agua que se agrega al tanque de salmuera. La sal solo se disolverá en el agua hasta que alcance un punto de saturación, por lo que no importa por cuánto tiempo repose, no se disolverá más cantidad de sal. Muchos descalcificadores añaden una cantidad fija de agua al tanque de salmuera al final de cada ciclo de regeneración. Con este tipo de unidad, el agua reposa en el tanque hasta la siguiente regeneración, generalmente durante varios días.

Su acondicionador EC5 utiliza un método más sofisticado y eficiente denominado “adición proporcional de sal”. La computadora monitorea continuamente su uso del agua y decide si la regeneración es necesaria hoy. Si se necesita una regeneración, la computadora mueve la válvula a la posición de llenado de salmuera alrededor de dos horas antes del momento programado para la regeneración. Es posible que escuche el sonido del motor y del agua fluyendo en este momento. Debido a que la computadora tiene información sobre la cantidad de agua que usted utilizó, calcula la cantidad exacta de sal que se necesita para restaurar la capacidad del sistema. Luego, solo agrega la cantidad suficiente de agua al tanque de salmuera para disolver dicha cantidad de sal. Por lo que puede decir que crea salmuera en proporción a la capacidad que usted necesita restaurar; no desperdicia sal.

EJEMPLO: Si la hora de regeneración está establecida para las 2:00 a. m., es posible que escuche que el sistema aparentemente comienza a regenerarse a las 12:00 a. m. Lo que en realidad está haciendo es ejecutando el ciclo de llenado de salmuera. Llenará el tanque de salmuera por algunos minutos, luego regresa a su posición de inicio normal durante 2 horas. El ciclo real completo de regeneración comienza justo después de las 2:00 a. m. (A continuación, consulte el ejemplo de cronograma de regeneración)

Ejemplo: Cronograma de regeneración



Notas:

- 1) Las horas de los ciclos 1 y 4 son horas variables precalculadas antes de que comience el proceso de regeneración según la capacidad de resina actual.
- 2) Las horas se enumeran como horas de ejemplo.

CYCLE 2- Brine Make Up/Service (Ciclo 2 - Recuperación/Mantenimiento de salmuera)

Después de agregar agua al tanque de salmuera, la válvula regresa a la posición de inicio y espera por dos horas. Este tiempo se puede modificar, pero dos horas proporciona la solución óptima. Esto otorga bastante tiempo para que la sal se disuelva y garantiza que se utilice una dosis de sal precisa. El sistema continúa proporcionando agua tratada a su hogar durante este ciclo.

CYCLE 3- Backwash (Ciclo 3 - Lavado a contracorriente)

Al momento de regeneración programado, la válvula se mueve a la posición de lavado a contracorriente para el comienzo del ciclo de regeneración propiamente dicho. En la posición de lavado a contracorriente, se invierte el flujo normal del tanque de presión, y el agua fluye de abajo hacia arriba, de manera que el mineral de descalcificación se eleva y limpia. Esto elimina cualquier suciedad o partícula que se haya acumulado en la parte superior de la capa de mineral. Como sucede en todo el ciclo de regeneración, toda el agua que fluye por el tanque en este momento se envía directamente al drenaje. Ninguna cantidad de agua de la regeneración ingresa a las tuberías de suministro. Si utiliza alguna cantidad de agua durante la regeneración, el sistema le brinda agua sin tratar que se desvía completamente del tanque.

CYCLE 4- Brine Draw/Slow Rinse (Ciclo 4 - Extracción de salmuera/Enjuague lento)

Después de que el sistema realizó el lavado a contracorriente durante varios minutos, la válvula se mueve a la posición de extracción de agua salada. En esta posición, la válvula crea un vacío para extraer la solución de salmuera del tanque de salmuera. La solución de salmuera fluye lentamente a través de la capa de mineral, y elimina los iones de dureza que se adhirieron a la resina de descalcificación y los envía al drenaje. Después de que se extrajo toda la salmuera del tanque de salmuera, el sistema continúa enjuagando lentamente la capa de mineral, lo que otorga bastante tiempo para que todas las perlas de resina se recarguen y se elimine todo exceso de salmuera.

CYCLE 5 - Fast Rinse (Ciclo 5 - Enjuague rápido)

La válvula luego se mueve hasta el ciclo final de regeneración, en el cual el agua fluye rápidamente a través de la base en su dirección normal de arriba a abajo. Esto vuelve a colocar la capa de mineral hacia abajo y funciona como último enjuague de limpieza. La válvula luego regresa al inicio. Se completó el ciclo de regeneración.

NOTA: El ciclo de regeneración completo, desde el lavado a contracorriente hasta el enjuague rápido, tarda entre una y dos horas en la mayoría de los casos.

REGENERACIÓN MANUAL:

Si bien es posible que nunca sea necesario, siempre debe tener la opción de comenzar una regeneración inmediata. Consulte la página 20 para obtener instrucciones. La regeneración manual comenzará con el llenado del tanque de salmuera y un ciclo de inmersión de dos horas como se describe anteriormente. Debido a que una regeneración manual está principalmente destinada a la recuperación de circunstancias inusuales, como permitir que el tanque de agua salada se quede sin sal, se supone que necesita recuperar la capacidad total. Por lo tanto, una regeneración manual siempre utiliza la dosis máxima de sal para el tamaño de su unidad.

Navegación por los menús

El control de EC5 tiene un diseño simple de botones hacia arriba/abajo e izquierda/derecha en forma de cruz con un botón Enter (Aceptar) en el centro. Esperamos que este sistema le resulte intuitivo y familiar, debido a que es similar a los controles remotos de televisores y otros dispositivos que usted ya tiene.

Lo alentamos a que lo pruebe y consulte esta sección del manual si tiene preguntas. A continuación se ofrece una descripción completa de la estructura del menú para quienes prefieren comprender los detalles primero.

La pantalla de inicio o normal se ve de la siguiente manera:

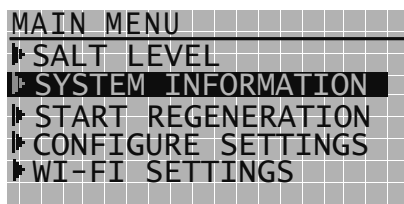


Esta es la pantalla que verá la mayor parte del tiempo cuando se acerca por primera vez al sistema. Hay algunas pantallas especiales que se describirán en las secciones “REGENERATION” (Regeneración) y “ALARMS” (Alarmas) de este manual.

La pantalla tiene una luz de fondo que se apaga después de algunos minutos de inactividad. Si presiona cualquier botón cuando la pantalla no está encendida, se encenderá automáticamente la luz de fondo. La primera vez que presiona un botón no sucede nada, así que no se preocupe,– no puede presionar el botón incorrecto.

Cuando está en la pantalla de inicio y la luz de fondo está encendida, cualquier botón que presione lo llevará a la pantalla del menú principal. Nuevamente, se le recuerda que no puede presionar el botón incorrecto–; todos lo llevarán al mismo lugar.

La pantalla Main Menu (Menú principal) se ve de la siguiente manera:



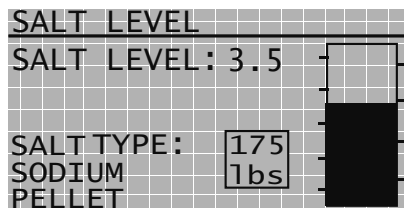
Para navegar por los menús, siga estas sencillas reglas:

- Presione el botón ENTER (Aceptar) o RIGHT (Derecha) para seleccionar el elemento resaltado.
- Utilice los botones UP (Arriba) o DOWN (Abajo) para seleccionar otro elemento del menú.
- Cuando haya ingresado al submenú:
 - o Utilice el botón LEFT (Izquierda) para volver al nivel del menú anterior sin cambiar el elemento que está mirando.
 - o Utilice el botón ENTER (Aceptar) para volver al nivel del menú anterior sin mientras acepta los cambios que realizó.

Ahora revisaremos los elementos del menú principal.

Salt Level (Nivel de sal)

Si selecciona SALT LEVEL (Nivel de sal) y presiona el botón ENTER (Aceptar) o RIGHT (Derecha), se lo llevará a la pantalla de nivel de sal.

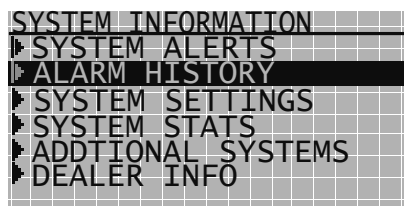


Esta pantalla muestra el nivel de sal que queda en el tanque de salmuera. El nivel (por ejemplo, 3,5 en la figura anterior) corresponde a los números visibles en el tanque de salmuera. En cualquier momento que agregue sal al tanque de salmuera, utilice las flechas UP (Arriba) o DOWN (Abajo) para ajustar el número para que coincida con el nivel de sal en el tanque. (Simplemente haga su mejor cálculo entre números). La computadora resta automáticamente la cantidad de sal utilizada cada vez que el sistema se regenera.

Si modificó el nivel de sal y desea guardar los cambios, presione el botón ENTER (Aceptar) para salir del Menú principal. Si no desea guardar los cambios, presione el botón LEFT (Izquierda) para regresar al menú principal sin guardar.


Información del sistema

Si selecciona SYSTEM INFORMATION (Información del sistema) y presiona el botón ENTER (Aceptar) o RIGHT (Derecha), se lo llevará a la pantalla del menú System Information (Información del sistema).



Puede seleccionar cualquier elemento del menú para obtener información adicional.

System Alerts (Alertas del sistema): Cuando el nivel de sal es de 30 libras o menos, recibirá una alerta LOW SALT (Baja cantidad de sal). Cualquier alerta actual será visible cuando se elija este elemento.

 **Consejo útil:** La escala para la sal en bloque está diseñada por niveles 1-4. La escala para cloruro de potasio o sal en bolsa está diseñada por niveles 1-5. En el caso de los tanques más grandes, se ofrece una etiqueta de escala de sal a través de su Proveedor de RainSoft, número de pieza 19024.

Alarm History (Historial de alarmas): Se registra una condición de alarma cuando se produjo cualquier cantidad de eventos importantes. La fecha y hora de las alarmas más recientes se muestran en este elemento del menú.

- Cuando el nivel de sal alcanza 0, la alarma de baja cantidad de sal se reemplaza por una alarma NO SALT (Sin sal). Esta condición de alarma persistirá hasta que agregue sal y ajuste el nivel de sal.
- Cuando se produce una pérdida de energía, se notifica un evento con el mensaje POWER LOSS (Pérdida de energía). El sistema registrará la hora en que se produjo la pérdida de energía y la hora en que esta se restauró. No necesita hacer nada en respuesta a una pérdida de energía. El sistema puede mantener el funcionamiento por varios días sin energía y no se perderá ninguna configuración en una pérdida de energía. La computadora tiene procedimientos de recuperación automáticos para la pérdida de energía durante una regeneración.
- Si el motor no puede conducir la válvula hasta la posición adecuada durante la regeneración, se activa una alarma MOTOR/SWITCH (Motor/Interruptor). Esta alarma indica un problema grave con el conjunto de accionamiento o la válvula y requiere reparación por parte de un técnico capacitado.
- Otros productos RainSoft de su hogar, como sistema de agua potable y filtro para toda la vivienda, tienen elementos filtrantes u otros componentes que eventualmente se desgastan y necesitan reemplazo. El control EC5 se puede configurar para que monitoree estos sistemas y brinde una advertencia cuando se necesite reparación. Estas alarmas se identifican como DRINKING WATER (Agua potable), FILTER (Filtro), AIRMASTER (Airmaster) y OTHER (Otro). Estas alarmas indican la necesidad de reparación por parte de un técnico capacitado.

System Settings (Configuraciones del sistema): En este punto se brinda una lista útil de información básica sobre su sistema: Modelo, Número de serie, Fecha de instalación, Configuración de dureza del agua y Nivel de hierro en agua. Estos puntos solo tienen fines de consulta y no se pueden modificar en este menú.

System Stats (Estadísticas del sistema): En este punto se proporciona una lista de las estadísticas acerca del uso del agua y el funcionamiento del sistema:

- **Current Water Flow (Flujo de agua corriente):** Caudal real de agua corriente por todo el sistema.
- **Avg Water Use (Uso de agua promedio):** Volumen promedio de agua tratada utilizada por día.
- **Total Water 28 Days (Total de agua en 28 días):** Volumen total de agua tratada utilizada por el sistema en los últimos 28 días.
- **Total Water Used (Total de agua utilizada):** Volumen total de agua tratada utilizada por el sistema desde la instalación.
- **Last Regen Date (Última fecha de regeneración):** Fecha de la última vez que el sistema se regeneró.
- **Gal Since Last Regen (Cantidad de galones desde la última regeneración):** Volumen de agua tratada utilizada por el sistema desde la última regeneración.
- **Avg Weekly Salt (Cantidad de sal semanal promedio):** Cantidad promedio de sal utilizada por semana para la regeneración.
- **Regens Last 28 Days (Regeneraciones durante los últimos 28 días):** Cantidad de regeneraciones en los últimos 28 días.

Tenga en cuenta que puede tomar entre 3 y 4 semanas de uso típico de agua después de la instalación para que los valores promedio sean significativos.

Additional Systems (Sistemas adicionales): En este punto se muestra el estado de sistemas RainSoft adicionales que se pueden monitorear con el control EC5.

Dealer Info (Información del proveedor): En este punto se muestra el nombre, número de teléfono y dirección de correo electrónico de su proveedor.

Cuando termine de revisar estos puntos en System Information Menu (Menú de información del sistema), utilice el botón LEFT (Izquierda) para volver a Main Menu (Menú principal).

Comenzar regeneración:

Si selecciona START REGENERATION (Comenzar regeneración) y presiona el botón ENTER (Aceptar) o RIGHT (Derecha), se lo llevará a la opción de iniciación de una regeneración manual.

Este menú ofrece dos opciones: Comenzar una regeneración ahora o comenzarla más adelante. Todas las regeneraciones manuales se realizan con la dosis completa de sal.

¿Comenzar regeneración ahora?

Si presiona el botón Enter (Aceptar) mientras este elemento está seleccionado, se lo llevará a la pantalla **CONFIRM REGEN NOW** (Confirmar regeneración ahora).

Si desea comenzar la regeneración inmediatamente, presione el botón **ENTER** (Aceptar) mientras la opción **“YES”** (Sí) está seleccionada.

Si no desea comenzar la regeneración inmediatamente, utilice el botón **RIGHT** (Derecha) para seleccionar **“NO”** (No), luego presione **ENTER** (Aceptar).

Si elige **“YES”** (Sí), el control regresará inmediatamente a la pantalla de inicio, y mostrará el mensaje **“SYSTEM: REGEN IN 10”** (El sistema se regenerará en 10 minutos).

El control realiza una cuenta regresiva de 10 segundos antes de comenzar la regeneración. Esto le brinda otra oportunidad para abortar la regeneración manual. Si presiona cualquier botón durante la cuenta regresiva de 10 segundos, se cancela la regeneración y se vuelve a la pantalla de inicio.

¿Comenzar regeneración más adelante?

Para configurar que una regeneración completa se realice más adelante dentro de las próximas 24 horas, utilice el botón **DOWN** (Abajo) para seleccionar este elemento, luego presione **ENTER** (Aceptar). La pantalla mostrará una hora del día para la regeneración manual.

Utilice los botones **UP** (Arriba) o **DOWN** (Abajo) para modificar la hora de comienzo. Puede configurar tanto minutos como horas. Si presiona **ENTER** (Aceptar), la regeneración manual se configura para comenzar con el ciclo 1, dos horas antes de la hora mostrada.

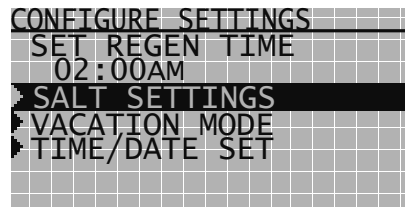
Tenga en cuenta que esta hora de inicio de regeneración se aplica solo a esta regeneración manual. No se modificará la hora de inicio normal de futuras regeneraciones manuales.

Si decide cancelar la regeneración planificada, regrese a este elemento del menú, utilice el botón **RIGHT** (Derecha) para seleccionar **“Cancel”** (Cancelar), luego presione **ENTER** (Aceptar).

! Nota importante: Debe configurar la hora de inicio más de dos horas después de la hora actual si desea que la regeneración se produzca dentro de las 24 horas. El Ciclo 1 necesita comenzar 2 horas antes de la hora que configuró.

Configuraciones

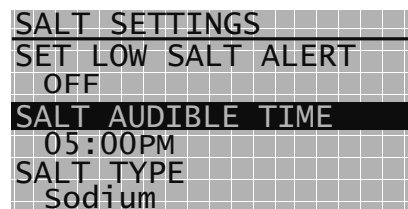
Si selecciona CONFIGURE SETTINGS (Configuraciones) y presiona el botón ENTER (Aceptar) o RIGHT (Derecha), se lo llevará a la pantalla del menú Configure Setting (Configuraciones).



Este menú ofrece distintas configuraciones accesibles.

Set Regen Time (Establecer hora de regeneración): Permite establecer la hora del día (en horas y minutos) en que la computadora comenzará la regeneración automática. La hora óptima es cuando no se utiliza agua, o se utiliza poca agua en el hogar. La configuración predeterminada de 2:00 a. m. (02:00 métrico) funciona bien para la mayoría de los clientes.

Salt Settings (Configuraciones de salinidad): Hay varias selecciones en el menú de configuraciones de salinidad.




Low Salt Alert (Alerta de baja cantidad de sal): Tiene la opción de encender o apagar la advertencia de baja cantidad de sal con los botones ON (Encendido) u OFF (Apagado). Si está configurado en la opción ON (Encendido), se escuchará una alarma sonora cuando el nivel de sal caiga a las 30 libras o menos. Esto sirve de recordatorio para agregar sal al tanque de salmuera.


Salt Audible Time (Hora de alarma sonora de sal): Si la alerta de baja cantidad de sal está en la posición ON (Encendido), el tono de la alarma sonará por una hora, a partir de la hora que se muestra aquí. Puede ajustar la hora de inicio para que se adapte a su cronograma. Elija una hora en la que sea probable que la escuche y pueda responder a la alarma.

Tenga en cuenta que si la alarma suena por una hora sin ninguna acción de su parte, se apagará y volverá a sonar a la misma hora el día siguiente.

Salt Type (Tipo de sal): Tiene la opción de utilizar sal de cloruro de sodio o cloruro de potasio. El cloruro de sodio es menos costoso y de más fácil acceso. Algunas personas pueden preferir el cloruro de potasio como parte de una dieta de muy bajo contenido de sodio. La sal de potasio brinda menos capacidad por libra que la sal de sodio. Cuando selecciona el tipo de sal que utiliza, la computadora ajustará automáticamente sus cálculos para la capacidad adecuada.

Salt Form (Forma de sal): La sal generalmente se vende en bolsas de gránulos/cubos o en bloques formados. La forma de sal que utilice tiene un efecto en la cantidad de sal que el tanque de salmuera puede retener. Los gránulos llenan el volumen del tanque de forma más completa. El tanque de agua salada tiene escalas separadas para bolsa (gránulo) o bloque. Elija la forma de sal que utiliza (**gránulo** o **bloque**) de manera que la computadora pueda calcular de manera adecuada el nivel de sal.

 **Consejo útil:** La aplicación móvil del cliente le brinda otras opciones para alertas de cantidad de sal, como notificación Push o correo electrónico.

 **Consejo útil:** La escala para la sal en bloque está diseñada por niveles 1-4. La escala para cloruro de potasio o sal en bolsa está diseñada por niveles 1-5. En el caso de los tanques más grandes, se ofrece una etiqueta de escala de sal a través de su Proveedor de RainSoft, número de pieza 19024.

Vacation Mode (Modo vacaciones): El encendido de Vacation Mode (Modo vacaciones) coloca al sistema en estado de reposo con estas dos características importantes:

- Si la configuración Days Override (Anulación de días) está en la posición ON (Encendido), que normalmente garantiza una regeneración en un intervalo predeterminado de días, incluso con un uso mínimo de agua, el Vacation Mode (Modo vacaciones) impide que se produzcan dichas regeneraciones.
- Un día antes del regreso programado, el sistema se regenerará a su hora de regeneración normal para garantizar una base de acondicionador fresca al momento de su llegada.

Si enciende Vacation Mode (Modo vacaciones), también debe seleccionar **Set Total Days Away** (Configurar cantidad de días fuera) e ingresar la duración de las vacaciones (entre 2 y 180 días).

Time/Date Set (Configuración de hora y fecha): Este menú proporciona configuraciones para la hora y fecha correctas. Debido a que su sistema es capaz de registrar la hora al menos por 72 horas durante un corte de energía, es poco probable que necesite configurarlas más de una vez.

Set Time (Establecer hora): Establece la hora del día (reloj de 12 horas



a. m./p. m. en unidades inglesas, reloj de 24 horas en unidades métricas).

Set Day of Week (Establecer día de la semana): Establece el día actual de la semana.

Set Date (Establecer fecha): Establece la fecha actual (mm/dd/aaaa en inglés, dd/mm/aaaa en sistema métrico).

Daylight Savings (Ahorro de luz durante el día): Establece en ON (Encendido) y u OFF (Apagado) el ajuste de horario de ahorro de luz durante el día. El sistema se ajustará automáticamente para el horario de ahorro de luz durante el día en la primavera y en el otoño, según la norma de los EE. UU. si se selecciona ON (Encendido).

Set Time Zone (Establecer zona horaria): Es importante configurar la zona horaria apropiada para sincronizar la comunicación con la aplicación RainSoft Remind. La opción Time Zone (Zona horaria) se muestra como una equivalencia de UTC (Horario Universal Coordinado). A continuación se describen las principales equivalencias de zonas horarias de los EE. UU.:

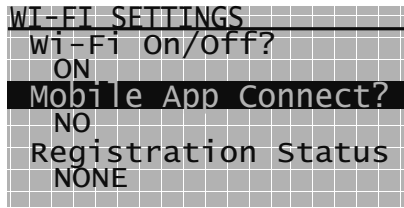
Zona Horaria de los EE. UU.	Equivalencia de UTC
Del este	UTC-5
Central	UTC-6
De la Montaña	UTC-7
Pacífico	UTC-8

Notas Importantes: Después de configurar el modo vacaciones, la computadora proporcionará un plazo de 16 horas para su conveniencia. Si se detecta uso de agua después del plazo de 16 horas, se desactiva el modo vacaciones.

Consejo útil: Si la configuración del horario de ahorro de luz durante el día está en posición "ON" (Encendido), el sistema ajustará automáticamente el reloj en la primavera y el otoño. Solo configure el horario de ahorro de luz durante el día en la posición "OFF" (Apagado) si en su área no se exigen ahorros de luz durante el día.

Wi-Fi Settings (Configuraciones de Wi-Fi)

Este menú se utiliza principalmente en la conexión inicial del sistema con la red de Wi-Fi casera.



Wi-Fi On/Off? (¿La Red Wi-Fi está activada/desactivada?)

Enciende la transmisión de información desde el control ON (Encendido) u OFF (Apagado). Si está configurado en la opción OFF (Apagado), no podrá comunicarse con el sistema a través de la red y la aplicación RainSoft Remind.

Nota: Toda comunicación desde y hacia el control está cifrada para su seguridad.

Mobile App Connect? (¿La Aplicación Móvil está conectada?)

La opción YES (Sí) le brinda una conexión Wi-Fi directa temporal con una tableta o un teléfono inteligente cercano. El control no establecerá comunicación a través de la red Wi-Fi de su hogar mientras esta conexión temporal esté activa. Esta conexión directa se utiliza para la configuración de la red y el servicio del sistema únicamente.

Registration Status (Estado de registro)

Este elemento indica si su dispositivo se conectó o no a través de la aplicación Rainsoft Remind. Esta información solo tiene fines informativos y no se puede modificar directamente.

Network Status (Estado de la red)

En el Menú Wi-Fi, desplácese hacia abajo hasta ver Network Status (Estado de la red). Esto cambiará de No SSID (Sin identificador de red) a la dirección IP asignada cuando se conecte a la red Wi-Fi del hogar. Este elemento solo tiene fines informativos y no se puede modificar directamente.

Consulte la sección sobre instalación de la aplicación RainSoft Remind para obtener más información.

Configuración de su Cuenta Rainsoft y Conexión Wi-Fi

Su acondicionador RainSoft EC5 tiene la capacidad de usar la red Wi-Fi de su hogar para comunicarse con su tablet o teléfono inteligente. A fin de utilizar esta función, debe conectar el acondicionador EC5 a su red. Necesita lo siguiente:

- La SSID (nombre de red) y la contraseña para la red de su hogar.
- La aplicación RainSoft Remind descargada en su tablet o teléfono.

Utilice su tablet o teléfono inteligente para buscar e instalar la aplicación gratuita RainSoft Remind (disponible para dispositivos iPhone, iPad y Android).

En la pantalla de inicio de sesión del propietario, elija “Create a new account” (Crear una cuenta nueva).

Complete los campos de la pantalla de la cuenta. Tenga en cuenta que la dirección de correo electrónico actúa como ID de usuario único.

Seleccione “**SAVE SETTINGS**” (Guardar configuraciones) para crear la cuenta.

Ahora seleccione “**CONNECT EC5 TO NETWORK**” (Conectar EC5 a la red).

Desde la pantalla que se muestra, seleccione “Connect EC5 to Network” (Conectar EC5 a la red). Siga estos pasos a medida que se muestran en la pantalla:

1. Asegúrese de que la SSID de red y la contraseña estén disponibles
2. En el panel de control de E5:
 - a. Presione el botón ENTER (Aceptar) para ir a Main Menu (Menú principal).
 - b. Utilice el botón DOWN (Abajo) para desplazarse hasta Wi-Fi Settings (Configuraciones de Wi-Fi) y presione ENTER (Aceptar) para seleccionar.
 - c. En la pantalla WI-FI SETTINGS (Configuraciones de Wi-Fi), utilice el botón DOWN (Abajo) para desplazarse hasta «Mobile App Connect?» (¿Conexión de Aplicación Móvil?) y presione ENTER (Aceptar) para seleccionar.
 - d. Utilice la flecha DOWN (Abajo) para cambiar de “NO” (No) a “YES” (Sí). Presione ENTER (Aceptar) para seleccionar “YES” (Sí).
3. En su teléfono o tablet, deje la aplicación momentáneamente y vaya a “Settings” (Configuraciones) y “Wi-Fi”. Navegue para encontrar las redes disponibles. Debe ver “RainSoft EC5”. Seleccione esta opción para conectarse a “RainSoft EC5”.
4. Regrese a la aplicación RainSoft Remind. Presione “Connect EC5 to Network” (Conectar EC5 a la red) en la parte inferior de la pantalla.
5. Ingrese su SSID de Wi-Fi y contraseña en los campos apropiados, y luego presione “Connect to Network” (Conectarse a la red).

! Nota: La conexión puede tardar hasta 10 minutos en completarse.

Mientras se establece la conexión, verá información cambiante tanto en la aplicación como en la pantalla y en la pantalla de EC5. La opción “Registration Status” (Estado de registro) de EC5 cambiará a “Pending” (Pendiente) y luego a “OK” (Listo) una vez que se complete la conexión. La opción “Mobile App Connect?” (¿Conexión de Aplicación Móvil?) de EC5 también cambiará de “YES” (Sí) a “NO” (No) automáticamente durante este proceso, y se liberará la conexión directa de Wi-Fi entre su teléfono/tablet y EC5.

Presione dos veces el botón LEFT (Izquierda) en el panel de control de EC5 para regresar a la Pantalla de inicio. Después de algunos segundos, deberá ver un indicador de potencia de la señal de Wi-Fi en la esquina superior derecha, junto a la fecha, que indica que EC5 está conectado a la red de Wi-Fi.

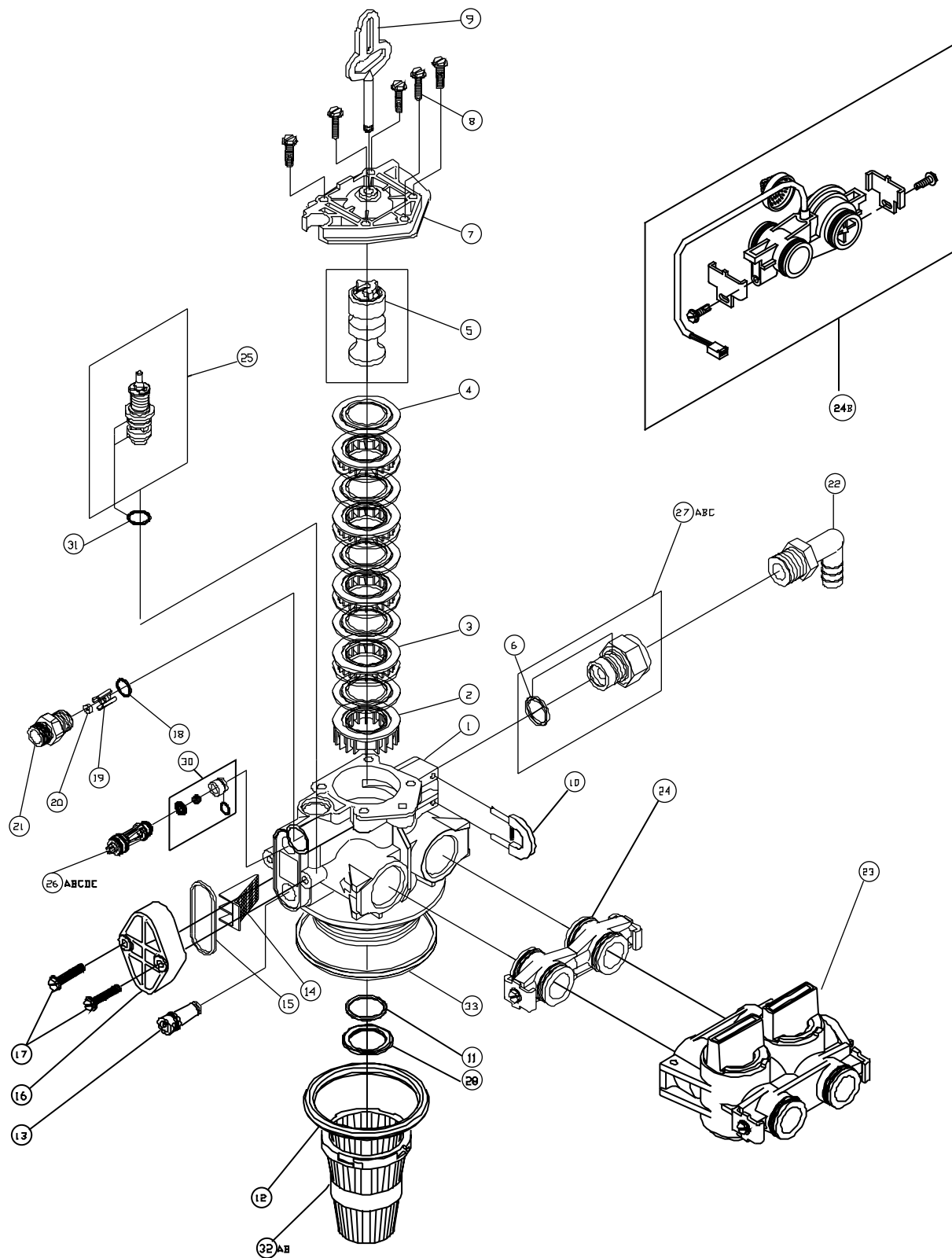
En caso de que falle el proceso de conexión, vaya al icono GEAR (Herramientas) en la esquina superior derecha de la aplicación REMIND. “**Customer Settings**” (Configuraciones del cliente) en la parte inferior de la página. Presione «Connect EC5 to Network» (Conectar EC5 a la red). Esto iniciará el proceso de conexión.

Guía de Resolución de Problemas

Síntoma	Causa	Solución
1. El sistema no se regenera automáticamente.	<ol style="list-style-type: none"> 1. El suministro de energía está conectado a una fuente de alimentación intermitente o inerte. 2. El sistema no está contando galones. 	<ol style="list-style-type: none"> 1. Conéctelo a una fuente de alimentación constante. 2. Llame a su proveedor de RainSoft para la reparación.
2. El sistema se regenera en el momento erróneo.	<ol style="list-style-type: none"> 1. La computadora no está configurada correctamente. 2. La hora se apagó debido al ahorro de luz durante el día. 3. Se superó la capacidad máxima del sistema. 	<ol style="list-style-type: none"> 1. Vuelva a configurar el momento del día/la hora de la regeneración. 2. Verifique que la hora de ahorro de luz durante el día se configure en "ON" (Encendido). 3. Limite el uso de agua hasta que se complete la regeneración.
3. Baja calidad del agua.	<ol style="list-style-type: none"> 1. El agua cruda se modificó. 2. La válvula de desviación está abierta. 3. El suministro de energía está desconectado. 	<ol style="list-style-type: none"> 1. Llame a su proveedor de RainSoft para que realice un nuevo análisis del agua. 2. Cierre la válvula de desviación. 3. Conecte el suministro de energía.
4. Pérdida de la presión del agua.	<ol style="list-style-type: none"> 1. Baja presión hacia la unidad. 	<ol style="list-style-type: none"> 1. Desvíe el sistema. Si el problema persiste después del desvío, no está relacionado con un producto de RainSoft. (Controle su sistema de distribución de agua). Si el problema se resuelve después del desvío, llame a su proveedor de RainSoft para la reparación.
5. Exceso de agua en el tanque de salmuera o agua salada.	<ol style="list-style-type: none"> 1. La línea de drenaje está obstruida/restringida. 2. La válvula de salmuera está sucia. 3. Baja presión de entrada. 4. El inyector está obstruido. 	<ol style="list-style-type: none"> 1. Controle el flujo de agua hacia el drenaje. Controle que no haya ondulaciones en la línea de drenaje. Llame a su proveedor de RainSoft para la reparación. 2. Llame a su proveedor de RainSoft para la reparación. 3. Llame a su proveedor de RainSoft para recibir asistencia. 4. Llame a su proveedor de RainSoft para la reparación.
6. El sistema no utiliza sal.	<ol style="list-style-type: none"> 1. La línea de drenaje está obstruida/restringida. 2. El inyector está obstruido. 3. Baja presión de entrada. 4. No hay agua en el tanque de salmuera. 	<ol style="list-style-type: none"> 1. Controle el flujo de agua hacia el drenaje. Controle que no haya ondulaciones en la línea de drenaje. Llame a su proveedor de RainSoft para la reparación. 2. Llame a su proveedor de RainSoft para la reparación. 3. Llame a su proveedor de RainSoft para aumentar la presión de entrada. Debe ser de un mínimo de 20 psi. 4. Llame a su proveedor de RainSoft para la reparación.
7. Flujo constante al drenaje.	<ol style="list-style-type: none"> 1. Material extraño en la válvula. 2. Excesiva presión del agua. 	<ol style="list-style-type: none"> 1. Llame a su proveedor de RainSoft para limpiar la válvula. 2. Instale un regulador de presión.

Si la guía de resolución de problemas no resolvió el síntoma, comuníquese con su proveedor de RainSoft local para la reparación. Si no puede localizar a su proveedor de RainSoft, comuníquese con el Servicio de Atención al Cliente al 1-800-860-7638 o ingrese a www.rainsoft.com para obtener el nombre y la ubicación de su proveedor autorizado más cercano.

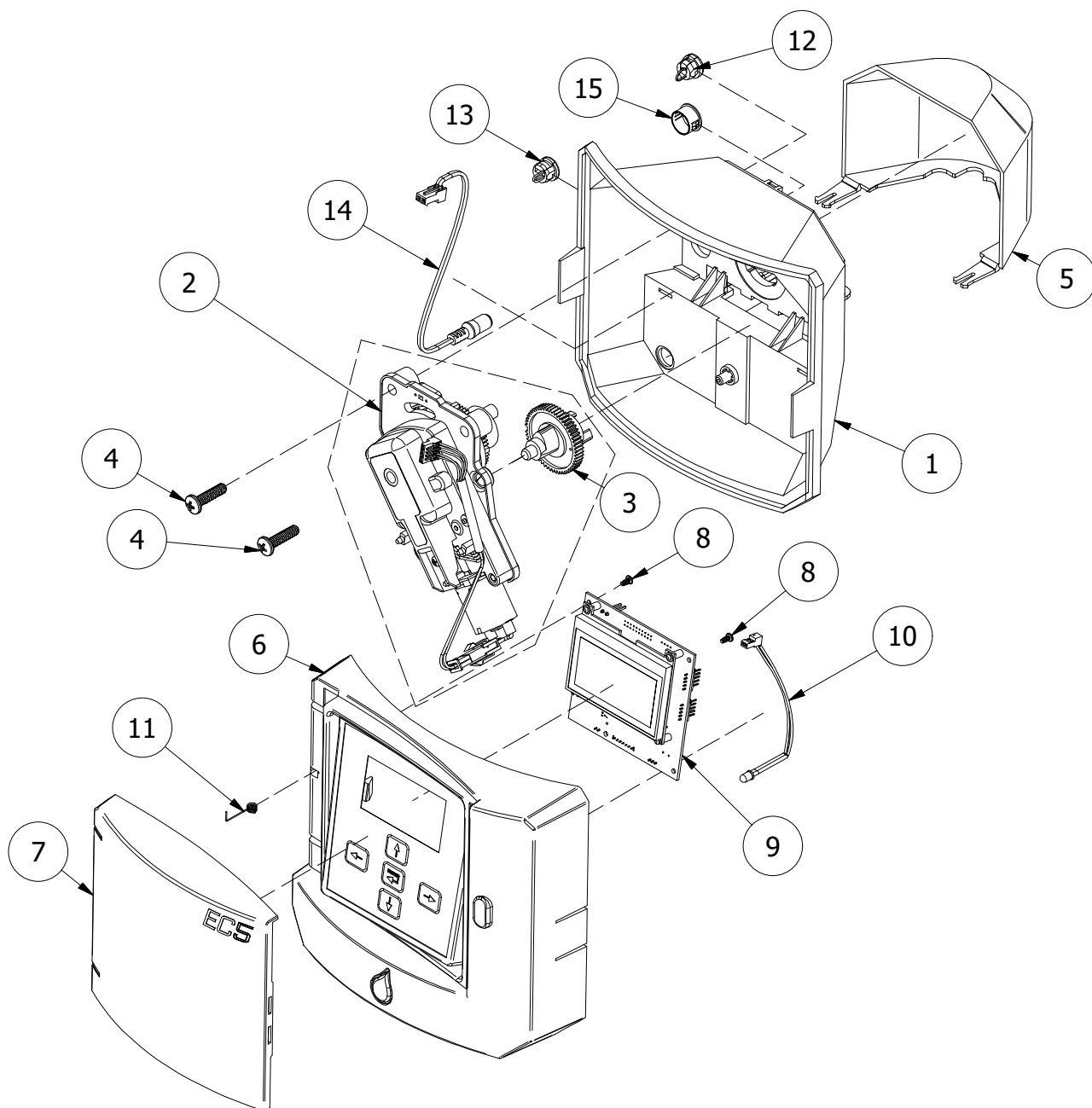
Vista desplegada de la válvula



Lista de piezas de la válvula

Artículo	Cantidad	Número de Pieza	Descripción
1	1	17863	Cuerpo de válvula compuesta
2	1	17864	Extremo del espaciador
3	4	17865	Espaciador interno
4	5	17866	Junta interna
5	1	18160	Retenedor y pistón de flujo descendente
6	1	10258	Junta tórica - 017
7	1	17869	Conjunto de conector final
8	5	17870	Cabeza de arandela de tornillo hexagonal de 10-24 x 0.812
9	1	17871	Vástago del pistón
10	1	17887	Drenaje con retención
11	1	17888	Junta tórica - 121
12	1	17889	Junta tórica - 336
13	1	17617	Conjunto de conector de inyector
14	1	17948	Filtro del inyector
15	1	17949	Junta del inyector
16	1	17950	Tapa del inyector
17	2	17951	Cabeza de arandela de tornillo hexagonal de 10-24 x 1.0
18	1	17958	Junta tórica - 015
19	1	17953	Botón de retención de BLFC (Control de Flujo de Línea de Salmuera)
20	1	17954	Arandela de control de flujo de 0.25 gpm
21	1	17957	BLFC adaptador de 0.25 gpm
22	1	17939	Codo de policarbonato con lengüeta de 1/2 npt x 1/2
23	1	17557	Válvula de desviación compuesta
24A	1	17560	Conjunto adaptador de acople de 3/4"
24B	1	17558	Conjunto de medidor de turbina con cable
25	1	17812	Conjunto de cierre de recarga
26A	1	17893	Conjunto de inyector #00
26B	1	17947	Conjunto de inyector #0
26C	1	18194	Conjunto de inyector #1
26D	1	19318	Conjunto de inyector #2
26E	1	19393	Conjunto de inyector #3
27A	1	17991	Conjunto de control de flujo de línea de drenaje de 1.5
27B	1	17992	Conjunto de control de flujo de línea de drenaje de 2.0
27C	1	17994	Conjunto de control de flujo de línea de drenaje de 3.0
29	1	18445	Junta tórica de retención de tubería ascendente
30	1	19739	Conjunto de jaula de bolas de control
31	2	13329	Junta tórica - 014
32A	1	17941	Cesta superior difusora de 1 x 0.008 color rojo
32B	1	18985	Cesta superior difusora de 1 x 0.02 color blanco
33	1	19328	Junta de retención del tanque

Vista desplegada del control



Lista de piezas de control

Artículo	Cantidad	Número de Pieza	Descripción
1	1	51920	CONJUNTO DE CARCASA TRASERA DE 5.º GENERACIÓN
2	1	51921	CONJUNTO DE ENGRANAJE IMPULSOR DEL MOTOR RPS
3	1	17501	LEVA/ENGRANAJE DEL TANQUE DE SALMUERA
4	2	51918	TORNILLO 1/4-20X 1 in CABEZA TRONCOCÓNICA, PHILLIPS, ACERO INOXIDABLE
5	1	51902	CUBIERTA TRASERA DE 5.º GENERACIÓN
6	1	52106	CONJUNTO DE CARCASA FRONTAL DE EC5
7	1	51904	EC5 PUERTA DE 5º GENERACIÓN
8	5	51919	TORNILLO N.º 4 - 20 x 0.25 in, PHILLIPS, PAB, ACERO INOXIDABLE
9	1	51927	CONJUNTO DE TABLERO WIFI-PCB DE EC5/PROGRAMACIÓN
10	1	51911	ARNÉS DE CABLES LED AZULES 5.º GENERACIÓN
11	1	51907	PUERTA DE CARCASA FRONTAL 5.º GENERACIÓN PARA LA PRIMAVERA
12	1	72134	28-8-7 HEYCO SR5P4 4 PLOMO
13	1	72250	HEYCO SR 4K-4 CASQUILLO (ORIFICIO DE 0.500 DIÁMETRO)
14	1	51912	ARNÉS DE CABLES DE ALIMENTACIÓN 5.º GENERACIÓN
15	1	71611	28-244-4 TAPÓN DE ORIFICIO DE 0.625 DIÁMETRO
	1	51923	FUENTE DE ALIMENTACIÓN DE CC 24 V 1 AMP EE. UU. PARED (NO SE MUESTRA)

EC5 75 CV

SISTEMA DE TRATAMIENTO DE INICIO A DEMANDA

- ÍNDICE DE CAUDAL DE SERVICIO = 9.3 GPM (35.2 LPM)
- ÍNDICE DE CAUDAL DE DRENAJE: 1.5 GPM (5.7 LPM)
- ÍNDICE DE CAUDAL @ DE CAÍDA DE PSI: 15.0 psi (1.1 kgf/cm²)
- PSI OPERATIVO DE SUMINISTRO: 20 psi - 120 psi (1.47 - 8.45 kgf/cm²)
- TEMPERATURA DE FUNCIONAMIENTO: 40 °F - 100 °F (4.4 °C - 38 °C)
- ELÉCTRICO: 24 VAC, 50/60 Hz (COMPUTADORA)
- CANTIDAD DE SAL POR REGENERACIÓN: VARIABLE
- EFICIENCIA: 4400 GRANOS/LBS CANTIDAD DE SAL @ 2.25 LBS DOSIS

CONFIGURACIONES DE CAPACIDAD Y CANTIDAD DE SAL

CAPACIDAD	CANTIDAD DE SAL
9900 GRANOS	@ 2.25 LBS DE SAL
21 300 GRANOS	7.5 LBS DE SAL
26 100 GRANOS	@ 11.2 LBS DE SAL

LISTA DE CONTAMINANTES REDUCIDA

CONTAMINANTE	USEPA MCL
BARIUM*	2 PPM
RADIUM 226/228*	5 PCI/L

CONDICIONES DE LA PRUEBA DE LA NORMA NSF/ANSI 44: 35 ± 5 psi, 65 ± 10°F, pH 7.5 ± 0.5 al índice de caudal de servicio

*HARDNESS WAS USED AS A SURROGATE FOR BARIUM AND RADIUM REDUCTION CLAIMS PER NSF/ANSI STANDARD 44.

PRUEBA DE RENDIMIENTO DE DESCALCIFICACIÓN

DESAFÍO	NIVEL DE AFLUENTE PROMEDIO	NIVEL DE EFLUENTE PROMEDIO
DUREZA	335 PPM	8 PPM

CONDICIONES DE LA PRUEBA DE LA NORMA NSF/ANSI 44: 35 ± 5 psi, 65 ± 10°F, pH 7.5 ± 0.5 al índice de caudal de servicio

NOTAS ADICIONALES

- LA LISTA DE SUSTANCIAS QUE ESTE DISPOSITIVO DE TRATAMIENTO REDUCE NO NECESARIAMENTE SIGNIFICA QUE ESTAS SUSTANCIAS ESTÉN PRESENTES EN EL SUMINISTRO DE AGUA.
- LOS RESULTADOS REALES PUEDEN VARIAR SEGÚN LAS CONDICIONES LOCALES DEL AGUA.
- UN DESCALCIFICADOR DE AGUA EFICIENTE ES AQUEL CON REGENERACIÓN INICIADA A DEMANDA, LO QUE TAMBIÉN CUMPLE CON ESPECIFICACIONES DE RENDIMIENTO ESPECÍFICAS DESTINADAS A MINIMIZAR LA CANTIDAD DE SALMUERA Y AGUA DE REGENERACIÓN UTILIZADAS EN LA OPERACIÓN Y ALCANZA UNA VALORACIÓN DE NO MENOS DE 3350 GRANOS DE INTERCAMBIO DE DUREZA TOTAL POR LIBRA DE SAL DE CLORURO DE SODIO Y NO PROPORCIONA MÁS SAL QUE SU VALORACIÓN INDICADA. LA EFICIENCIA SE MIDE CON UNA PRUEBA DE LABORATORIO QUE SE DESCRIBE EN NSF/ANSI 44. LA PRUEBA REPRESENTA LA MÁXIMA EFICIENCIA POSIBLE QUE EL SISTEMA PUEDE LOGRAR. LA EFICIENCIA OPERATIVA ES LA EFICIENCIA REAL ALCANZADA DESPUÉS DE QUE SE INSTALÓ EL SISTEMA Y ES GENERALMENTE MENOR QUE LA EFICIENCIA COMPROBADA DEBIDO A FACTORES DE APLICACIÓN INDIVIDUAL COMO DUREZA DEL AGUA, USO DEL AGUA Y OTROS AGENTES CONTAMINANTES QUE REDUCEN LA CAPACIDAD DE LOS DESCALCIFICADORES.
- UN DESCALCIFICADOR DE AGUA NO ESTÁ DESTINADO A UN USO CON AGUA TRATADA QUE PRESENTE CONTAMINACIÓN MICROBIOLÓGICA O QUE SEA DE CALIDAD DESCONOCIDA SIN LA DESINFECCIÓN ADECUADA ANTES Y DESPUÉS DEL SISTEMA.
- LA EFICIENCIA DEL ACONDICIONADOR ES VÁLIDA ÚNICAMENTE CON LAS DOSIS DE SAL ESPECIFICADAS.

ESTE SISTEMA SE DEBE INSTALAR EN UN ÁREA QUE NO SE VEA AFECTADA POR CALOR O FRÍO EXTREMOS, NI INCLEMENCIAS DEL TIEMPO.

ESTE SISTEMA SE DEBE INSTALAR DE ACUERDO CON TODAS LAS LEYES Y REGLAMENTACIONES ESTATALES Y LOCALES.

NO INSTALE ESTE SISTEMA EN LUGARES DONDE EL AGUA PRESENTA CONTAMINACIÓN MICROBIOLÓGICA O ES DE CALIDAD DESCONOCIDA SIN LA CORRECTA DESINFECCIÓN PREVIA O POSTERIOR DEL SISTEMA.

EL SISTEMA CONTIENE UN MEDIO DE INTERCAMBIO DE IONES PARA LA ELIMINACIÓN DE LOS AGENTES CONTAMINANTES DESCRITOS Y SE DEBE REGENERAR PERIÓDICAMENTE. CONSULTE EL MANUAL DEL USUARIO PARA DETERMINAR LA FRECUENCIA DE LAS REGENERACIONES. SE RECOMIENDA EL USO DE SAL BLANCA COMÚN EN BLOQUE PARA ESTE SISTEMA. SI NO HAY DISPONIBLE SAL EN BLOQUE, SE PUEDE USAR SAL SOLAR O SAL DE ROCA LÍMPIA GRUESA O EXTRAGRUESA. NO UTILICE SAL GRANULADA. CONSULTE A SU PROVEEDOR DE RAINSOFT SOBRE EL USO DE CLORURO DE POTASIO.

SU DISTRIBUIDOR LOCAL ESTÁ DISPONIBLE PARA LA REPARACIÓN Y EL REMPLAZO DE PIEZAS CUBIERTAS POR LA GARANTÍA.

CONSULTE EL MANUAL DEL USUARIO PARA OBTENER INFORMACIÓN SOBRE LOS REQUISITOS DE FUNCIONAMIENTO GENERAL Y MANTENIMIENTO.

CONSULTE LA TARJETA DE GARANTÍA PARA OBTENER INFORMACIÓN ESPECÍFICA SOBRE LA GARANTÍA.

CON COMPROBACIÓN Y CERTIFICACIÓN DE LA NORMA NSF/ANSI 44 DE LA WQA EN CUANTO A LAS RECLAMACIONES DE RENDIMIENTO ESPECÍFICAS SEGÚN LO VERIFICADO Y CORROBORADO POR LOS DATOS DE PRUEBA.

CON COMPROBACIÓN Y CERTIFICACIÓN DE LA NORMA NSF/ANSI 372 DE LA WQA EN CUANTO AL CUMPLIMIENTO DE BAJO CONTENIDO DE PLOMO.

LA SERIE EC4 CUENTA CON COMPROBACIÓN Y CERTIFICACIÓN DE LA NORMA CSA B483.1 DE LA WQA.



AVISO IMPORTANTE

LEA ESTA HOJA DE DATOS DE RENDIMIENTO Y COMPARE LAS CAPACIDADES DE ESTA UNIDAD CON SUS NECESIDADES REALES DE TRATAMIENTO DE AGUA. SE RECOMIENDA QUE ANTES DE COMPRAR UNA UNIDAD DE TRATAMIENTO DE AGUA, COMPRUEBE EL SUMINISTRO DE AGUA PARA DETERMINAR SUS NECESIDADES REALES DE TRATAMIENTO DE AGUA.

EC5 100 CV

SISTEMA DE TRATAMIENTO DE INICIO A DEMANDA

- ÍNDICE DE CAUDAL DE SERVICIO = 10.0 GPM (37.8 LPM)
- ÍNDICE DE CAUDAL DE DRENAJE: 2.0 GPM (7.6 LPM)
- ÍNDICE DE CAUDAL @ DE CAÍDA DE PSI: 12.0 psi (0.9 kgf/cm²)
- PSI OPERATIVO DE SUMINISTRO: 20 psi - 120 psi (1.47 - 8.45 kgf/cm²)
- TEMPERATURA DE FUNCIONAMIENTO: 40 °F - 100 °F (4.4 °C - 38 °C)
- ELÉCTRICO: 24 VAC, 50/60 Hz (COMPUTADORA)
- CANTIDAD DE SAL POR REGENERACIÓN: EFICIENCIA
- VARIABLE: 4970 GRANOS/LBS SAL @ 3.0 LBS DOSIS

CONFIGURACIONES DE CAPACIDAD Y CANTIDAD DE SAL

CAPACIDAD	CANTIDAD DE SAL
14 900 GRANOS	@ 3.0 LBS DE SAL
32 300 GRANOS	@ 10.0 LBS DE SAL
37 700 GRANOS	@ 15.0 LBS DE SAL

LISTA DE CONTAMINANTES REDUCIDA

CONTAMINANTE	USEPA MCL
BARIUM*	2 PPM
RADIUM 226/228*	5 PCI/L

CONDICIONES DE LA PRUEBA DE LA NORMA NSF/ANSI 44: 35 ± 5 psi, 65 ± 10°F, pH 7.5 ± 0.5 al índice de caudal de servicio

*HARDNESS WAS USED AS A SURROGATE FOR BARIUM AND RADIUM REDUCTION CLAIMS PER NSF/ANSI STANDARD 44.

PRUEBA DE RENDIMIENTO DE DESCALCIFICACIÓN

DESAFÍO	NIVEL DE AFLUENTE PROMEDIO	NIVEL DE EFLUENTE PROMEDIO
DUREZA	335 PPM	8 PPM

CONDICIONES DE LA PRUEBA DE LA NORMA NSF/ANSI 44: 35 ± 5 psi, 65 ± 10°F, pH 7.5 ± 0.5 al índice de caudal de servicio

NOTAS ADICIONALES

- LA LISTA DE SUSTANCIAS QUE ESTE DISPOSITIVO DE TRATAMIENTO REDUCE NO NECESARIAMENTE SIGNIFICA QUE ESTAS SUSTANCIAS ESTÉN PRESENTES EN EL SUMINISTRO DE AGUA.
- LOS RESULTADOS REALES PUEDEN VARIAR SEGÚN LAS CONDICIONES LOCALES DEL AGUA.
- UN DESCALCIFICADOR DE AGUA EFICIENTE ES AQUEL CON REGENERACIÓN INICIADA A DEMANDA, LO QUE TAMBIÉN CUMPLE CON ESPECIFICACIONES DE RENDIMIENTO ESPECÍFICAS DESTINADAS A MINIMIZAR LA CANTIDAD DE SALMUERA Y AGUA DE REGENERACIÓN UTILIZADAS EN LA OPERACIÓN Y ALCANZA UNA VALORACIÓN DE NO MENOS DE 3350 GRANOS DE INTERCAMBIO DE DUREZA TOTAL POR LIBRA DE SAL DE CLORURO DE SODIO Y NO PROPORCIONA MÁS SAL QUE SU VALORACIÓN INDICADA. LA EFICIENCIA SE MIDE CON UNA PRUEBA DE LABORATORIO QUE SE DESCRIBE EN NSF/ANSI 44. LA PRUEBA REPRESENTA LA MÁXIMA EFICIENCIA POSIBLE QUE EL SISTEMA PUEDE LOGRAR. LA EFICIENCIA OPERATIVA ES LA EFICIENCIA REAL ALCANZADA DESPUÉS DE QUE SE INSTALÓ EL SISTEMA Y ES GENERALMENTE MENOR QUE LA EFICIENCIA COMPROBADA DEBIDO A FACTORES DE APLICACIÓN INDIVIDUAL COMO DUREZA DEL AGUA, USO DEL AGUA Y OTROS AGENTES CONTAMINANTES QUE REDUCEN LA CAPACIDAD DE LOS DESCALCIFICADORES.
- UN DESCALCIFICADOR DE AGUA NO ESTÁ DESTINADO A UN USO CON AGUA TRATADA QUE PRESENTE CONTAMINACIÓN MICROBIOLÓGICA O QUE SEA DE CALIDAD DESCONOCIDA SIN LA DESINFECCIÓN ADECUADA ANTES Y DESPUÉS DEL SISTEMA.
- LA EFICIENCIA DEL ACONDICIONADOR ES VÁLIDA ÚNICAMENTE CON LAS DOSIS DE SAL ESPECIFICADAS.

AVISO IMPORTANTE

LEA ESTA HOJA DE DATOS DE RENDIMIENTO Y COMPARE LAS CAPACIDADES DE ESTA UNIDAD CON SUS NECESIDADES REALES DE TRATAMIENTO DE AGUA. SE RECOMIENDA QUE ANTES DE COMPRAR UNA UNIDAD DE TRATAMIENTO DE AGUA, COMPRUEBE EL SUMINISTRO DE AGUA PARA DETERMINAR SUS NECESIDADES REALES DE TRATAMIENTO DE AGUA.

ESTE SISTEMA SE DEBE INSTALAR EN UN ÁREA QUE NO SE VEA AFECTADA POR CALOR O FRÍO EXTREMOS, NI INCLEMENCIAS DEL TIEMPO.

ESTE SISTEMA SE DEBE INSTALAR DE ACUERDO CON TODAS LAS LEYES Y REGLAMENTACIONES ESTATALES Y LOCALES.

NO INSTALE ESTE SISTEMA EN LUGARES DONDE EL AGUA PRESENTE CONTAMINACIÓN MICROBIOLÓGICA O ES DE CALIDAD DESCONOCIDA SIN LA CORRECTA DESINFECCIÓN PREVIA O POSTERIOR DEL SISTEMA.

EL SISTEMA CONTIENE UN MEDIO DE INTERCAMBIO DE IONES PARA LA ELIMINACIÓN DE LOS AGENTES CONTAMINANTES DESCRITOS Y SE DEBE REGENERAR PERIÓDICAMENTE. CONSULTE EL MANUAL DEL USUARIO PARA DETERMINAR LA FRECUENCIA DE LAS REGENERACIONES.

SE RECOMIENDA EL USO DE SAL BLANCA COMÚN EN BLOQUE PARA ESTE SISTEMA. SI NO HAY DISPONIBLE SAL EN BLOQUE, SE PUEDE USAR SAL SOLAR O SAL DE ROCA LIMPIA GRUESA O EXTRAGRUESA. NO UTILICE SAL GRANULADA. CONSULTE A SU PROVEEDOR DE RAINSOFT SOBRE EL USO DE CLORURO DE POTASIO. SU DISTRIBUIDOR LOCAL ESTÁ DISPONIBLE PARA LA REPARACIÓN Y EL REPLAZO DE PIEZAS CUBIERTAS POR LA GARANTÍA.

CONSULTE EL MANUAL DEL USUARIO PARA OBTENER INFORMACIÓN SOBRE LOS REQUISITOS DE FUNCIONAMIENTO GENERAL Y MANTENIMIENTO.

CONSULTE LA TARJETA DE GARANTÍA PARA OBTENER INFORMACIÓN ESPECÍFICA SOBRE LA GARANTÍA.

CON COMPROBACIÓN Y CERTIFICACIÓN DE LA NORMA NSF/ANSI 44 DE LA WQA EN CUANTO A LAS RECLAMACIONES DE RENDIMIENTO ESPECÍFICAS SEGÚN LO VERIFICADO Y CORROBORADO POR LOS DATOS DE PRUEBA.



CON COMPROBACIÓN Y CERTIFICACIÓN DE LA NORMA NSF/ANSI 372 DE LA WQA EN CUANTO AL CUMPLIMIENTO DE BAJO CONTENIDO DE PLOMO.

LA SERIE EC4 CUENTA CON COMPROBACIÓN Y CERTIFICACIÓN DE LA NORMA CSA B483.1.

EC5 150 CV

SISTEMA DE TRATAMIENTO DE INICIO A DEMANDA

- ÍNDICE DE CAUDAL DE SERVICIO = 10.4 GPM (39.4 LPM)
- ÍNDICE DE CAUDAL DE DRENAJE: 2.0 GPM (7.6 LPM)
- ÍNDICE DE CAUDAL @ DE CAÍDA DE PSI: 15.0 psi (1.1 kgf/cm²)
- PSI OPERATIVO DE SUMINISTRO: 20 psi - 120 psi (1.47 - 8.45 kgf/cm²)
- TEMPERATURA DE FUNCIONAMIENTO: 40 °F - 100 °F (4.4 °C - 38 °C)
- ELÉCTRICO: 24 VAC, 50/60 Hz (COMPUTADORA)
- CANTIDAD DE SAL POR REGENERACIÓN: VARIABLE
- EFICIENCIA: 4970 GRANOS/LBS SAL @ 4.5 LBS DOSIS

CONFIGURACIONES DE CAPACIDAD Y CANTIDAD DE SAL

CAPACIDAD	CANTIDAD DE SAL
22 400 GRANOS	@ 4.5 LBS DE SAL
48 500 GRANOS	@ 15.0 LBS DE SAL
56 600 GRANOS	@ 22.5 LBS DE SAL

LISTA DE CONTAMINANTES REDUCIDA

CONTAMINANTE	USEPA MCL
BARIUM*	2 PPM
RADIUM 226/228*	5 PCI/L

CONDICIONES DE LA PRUEBA DE LA NORMA NSF/ANSI 44: 35 ± 5 psi, 65 ± 10°F, pH 7.5 ± 0.5 al índice de caudal de servicio

*HARDNESS WAS USED AS A SURROGATE FOR BARIUM AND RADIUM REDUCTION CLAIMS PER NSF/ANSI STANDARD 44.

PRUEBA DE RENDIMIENTO DE DESCALCIFICACIÓN

DESAFÍO	NIVEL DE AFLUENTE PROMEDIO	NIVEL DE EFLUENTE PROMEDIO
DUREZA	335 PPM	8 PPM

CONDICIONES DE LA PRUEBA DE LA NORMA NSF/ANSI 44: 35 ± 5 psi, 65 ± 10°F, pH 7.5 ± 0.5 al índice de caudal de servicio

NOTAS ADICIONALES

- LA LISTA DE SUSTANCIAS QUE ESTE DISPOSITIVO DE TRATAMIENTO REDUCE NO NECESARIAMENTE SIGNIFICA QUE ESTAS SUSTANCIAS ESTÉN PRESENTES EN EL SUMINISTRO DE AGUA.
- LOS RESULTADOS REALES PUEDEN VARIAR SEGÚN LAS CONDICIONES LOCALES DEL AGUA.
- UN DESCALCIFICADOR DE AGUA EFICIENTE ES AQUEL CON REGENERACIÓN INICIADA A DEMANDA, LO QUE TAMBIÉN CUMPLE CON ESPECIFICACIONES DE RENDIMIENTO ESPECÍFICAS DESTINADAS A MINIMIZAR LA CANTIDAD DE SALMUERA Y AGUA DE REGENERACIÓN UTILIZADAS EN LA OPERACIÓN Y ALCANZA UNA VALORACIÓN DE NO MENOS DE 3350 GRANOS DE INTERCAMBIO DE DUREZA TOTAL POR LIBRA DE SAL DE CLORURO DE SODIO Y NO PROPORCIONA MÁS SAL QUE SU VALORACIÓN INDICADA. LA EFICIENCIA SE MIDE CON UNA PRUEBA DE LABORATORIO QUE SE DESCRIBE EN NSF/ANSI 44. LA PRUEBA REPRESENTA LA MÁXIMA EFICIENCIA POSIBLE QUE EL SISTEMA PUEDE LOGRAR. LA EFICIENCIA OPERATIVA ES LA EFICIENCIA REAL ALCANZADA DESPUÉS DE QUE SE INSTALÓ EL SISTEMA Y ES GENERALMENTE MENOR QUE LA EFICIENCIA COMPROBADA DEBIDO A FACTORES DE APLICACIÓN INDIVIDUAL COMO DUREZA DEL AGUA, USO DEL AGUA Y OTROS AGENTES CONTAMINANTES QUE REDUCEN LA CAPACIDAD DE LOS DESCALCIFICADORES.
- UN DESCALCIFICADOR DE AGUA NO ESTÁ DESTINADO A UN USO CON AGUA TRATADA QUE PRESENTE CONTAMINACIÓN MICROBIOLÓGICA O QUE SEA DE CALIDAD DESCONOCIDA SIN LA DESINFECCIÓN ADECUADA ANTES Y DESPUÉS DEL SISTEMA.
- LA EFICIENCIA DEL ACONDICIONADOR ES VÁLIDA ÚNICAMENTE CON LAS DOSIS DE SAL ESPECIFICADAS.

AVISO IMPORTANTE

LEA ESTA HOJA DE DATOS DE RENDIMIENTO Y COMPARE LAS CAPACIDADES DE ESTA UNIDAD CON SUS NECESIDADES REALES DE TRATAMIENTO DE AGUA. SE RECOMIENDA QUE ANTES DE COMPRAR UNA UNIDAD DE TRATAMIENTO DE AGUA, COMPRUEBE EL SUMINISTRO DE AGUA PARA DETERMINAR SUS NECESIDADES REALES DE TRATAMIENTO DE AGUA.

ESTE SISTEMA SE DEBE INSTALAR EN UN ÁREA QUE NO SE VEA AFECTADA POR CALOR O FRÍO EXTREMOS, NI INCLEMENCIAS DEL TIEMPO.

ESTE SISTEMA SE DEBE INSTALAR DE ACUERDO CON TODAS LAS LEYES Y REGLAMENTACIONES ESTATALES Y LOCALES.

NO INSTALE ESTE SISTEMA EN LUGARES DONDE EL AGUA PRESENTA CONTAMINACIÓN MICROBIOLÓGICA O ES DE CALIDAD DESCONOCIDA SIN LA CORRECTA DESINFECCIÓN PREVIA O POSTERIOR DEL SISTEMA.

EL SISTEMA CONTIENE UN MEDIO DE INTERCAMBIO DE IONES PARA LA ELIMINACIÓN DE LOS AGENTES CONTAMINANTES DESCRITOS Y SE DEBE REGENERAR PERIÓDICAMENTE. CONSULTE EL MANUAL DEL USUARIO PARA DETERMINAR LA FRECUENCIA DE LAS REGENERACIONES. SE RECOMIENDA EL USO DE SAL BLANCA COMÚN EN BLOQUE PARA ESTE SISTEMA. SI NO HAY DISPONIBLE SAL EN BLOQUE, SE PUEDE USAR SAL SOLAR O SAL DE ROCA LIMPIA GRUESA O EXTRAGRUESA. NO UTILICE SAL GRANULADA. CONSULTE A SU PROVEEDOR DE RAINSOFT SOBRE EL USO DE CLORURO DE POTASIO.

SU DISTRIBUIDOR LOCAL ESTÁ DISPONIBLE PARA LA REPARACIÓN Y EL REPLAZO DE PIEZAS CUBIERTAS POR LA GARANTÍA.

CONSULTE EL MANUAL DEL USUARIO PARA OBTENER INFORMACIÓN SOBRE LOS REQUISITOS DE FUNCIONAMIENTO GENERAL Y MANTENIMIENTO.

CONSULTE LA TARJETA DE GARANTÍA PARA OBTENER INFORMACIÓN ESPECÍFICA SOBRE LA GARANTÍA.

CON COMPROBACIÓN Y CERTIFICACIÓN DE LA NORMA NSF/ANSI 44 DE LA WQA EN CUANTO A LAS RECLAMACIONES DE RENDIMIENTO ESPECÍFICAS SEGÚN LO VERIFICADO Y CORROBORADO POR LOS DATOS DE PRUEBA.

CON COMPROBACIÓN Y CERTIFICACIÓN DE LA NORMA NSF/ANSI 372 DE LA WQA EN CUANTO AL CUMPLIMIENTO DE LA BAJO CONTENIDO DE

PLOMO.

LA SERIE EC4 CUENTA CON COMPROBACIÓN Y CERTIFICACIÓN DE LA NORMA CSA B483.1 de la WQA.



Garantía limitada de por vida

Por el tiempo que tenga el equipo

RainSoft, una división de Aquion, Inc., considerando que su

SISTEMA DE TRATAMIENTO DE AGUA

es de una calidad excepcional, por medio del presente ofrece garantía de dicho equipo al primer comprador minorista de acuerdo con lo siguiente:

El tanque de tratamiento, la válvula, el contenedor de sal, los componentes eléctricos y las resinas Ion-X 2000 e Ion X-100 tienen garantía contra defectos de fabricación durante toda la vida del primer comprador minorista.

Esta garantía comienza en el momento en que el equipo se conecta por primera vez, y depende de la devolución de la tarjeta de registro del propietario suscrito.

Esta garantía no requiere el remplazo de la unidad completa. Si el equipo no funciona correctamente, debe solicitar la reparación al proveedor que le vendió el equipo. Si no está conforme, debe notificar al gerente de Atención al Cliente. Si no puede acordar servicios de reparación local, debe enviar la(s) pieza(s) defectuosa(s) (o bien, si lo prefiere, enviar la unidad completa) directamente al fabricante, con flete prepagado, con un comprobante de compra y una copia de esta garantía. Se repararán las piezas defectuosas (o la unidad entera) o se proporcionarán piezas RainSoft, por un cargo nominal para cubrir los gastos de mano de obra, manipulación, embalaje e incremento, si lo hubiere, del precio minorista de las piezas desde el momento de la compra. Se deben utilizar piezas RainSoft originales. Si no se utilizan piezas RainSoft originales, se anulará la garantía y las certificaciones.

Esta garantía no incluye cargos por mano de obra y no cubre la instalación, el transporte ni ningún otro cargo por reclamación o agravio. Algunos estados no permiten la exclusión o limitación de daños accidentales o consecuentes, por lo que es posible que algunas partes de la limitación o exclusión anterior no correspondan a su caso.

Esta garantía le otorga derechos legales específicos, y también es posible que tenga otros derechos que varían de estado a estado. También tiene derechos de garantía implícita. En caso de que haya un problema con el servicio de garantía o el desempeño, puede dirigirse a un Tribunal de Demandas, un Tribunal Estatal o un Tribunal de Distrito Federal.

Esta garantía queda nula si el equipo no se instala y utiliza de acuerdo con las instrucciones. No se aplica a daños ocasionados por abuso, accidente, negligencia, congelamiento, incendio u otras condiciones anormales más allá del control de la compañía. Esta garantía queda nula con respecto a cualquier pieza de la cual se quitó la fecha de fabricación o esta no es legible.

Se proporcionarán beneficios por distintos tipos de equipos RainSoft si se instalan y utilizan de acuerdo con las recomendaciones del fabricante. Los requisitos operativos, de mantenimiento y remplazo son esenciales para que el producto funcione según lo publicitado. Todas las reclamaciones se basan en la mejor información disponible al momento de la impresión. El fabricante no se hace responsable de la adecuación de este equipo para una aplicación particular. El comprador confía enteramente en las recomendaciones del proveedor para la compra de este equipo.

Los proveedores de RainSoft de propiedad y operación independiente pueden incluir, junto con su producto RainSoft, un producto o componente que no sea fabricado por RainSoft o su compañía matriz, Aquion, Inc. Cualquier producto que no pertenezca a RainSoft debe ser cubierto por el fabricante de dicho producto y no está cubierto por la garantía de RainSoft. Aquion, Inc. no garantiza que su producto RainSoft y el producto que no pertenece a RainSoft funcionen correctamente cuando se utilizan juntos, y por consiguiente, no asume ninguna responsabilidad.

RainSoft Division of Aquion, Inc.
101 S. Gary Avenue
Roselle, Illinois 60007 USA

Notas

Notas



RainSoft Division of Aquion, Inc.
101 S. Gary Avenue
Roselle, IL 60172
Conmutador Principal: 1.847.437.9400
Servicio de Atención al cliente: 1.800.860.7638
www.rainsoft.com

©2013 RAINSOFT, UNA DIVISIÓN DE AQUION, INC.