

# **EZ-Dumper**<sup>®</sup> UTILITY BODY INSERT

## The Original

The **EZ-Dumper**<sup>®</sup> Utility Body Dump Insert is a custom built unit made specifically to fit your Utility Truck Body. With the **EZ-Dumper**<sup>®</sup> Utility Body Insert you can unload your truck in well under thirty seconds with the push of a button. Simply fill the information out on the reverse side and fax or email back to us. You'll never have to unload your Utility Truck by hand again!

The **EZ-Dumper**<sup>®</sup> can hold and unload up to 6,000 lbs. or two cubic yards of firewood, topsoil, gravel, mulch, grain, or whatever, depending on the weight-carrying capacity of your truck.

## Easy to Install and Operate

Do-it-yourself installation of **EZ-Dumper**<sup>®</sup> is a breeze. No alterations are needed for most trucks. Just slide the dumper into your truckbed, secure it with bolts and holes already on your truck, and you're ready to go. We even include the hydraulic fluid!

**EZ-Dumper**<sup>®</sup> is a fully hydraulic unit that operates on any standard 12-volt truck battery. To empty a payload, just open the tailgate, and push the button. **EZ-Dumper**<sup>®</sup> lifts to an angle of 51° in under half a minute for quick and clean unloading.

## A Durable Investment

**EZ-Dumper**<sup>®</sup> is designed to take a beating from the toughest loads, from two yards of cordwood to three tons of crushed stone, while providing you with years of reliable service. Made with heavy gauge steel backed by a structural steel frame, **EZ-Dumper**<sup>®</sup> is likely to outlive your next two or three pickup trucks.



Utility Body Insert

## AVAILABLE Options

### Specifications

- Capacity: 6,000 lbs. (even distribution)
- Volume (standard): 56 cu. ft. (45 bu.)
- Cycle up time (loaded): 20 seconds
- Energy source: existing 12 v.d.c.

\*The payload carrying capacity of any truck is determined by the G.V.W.R. of the cab chassis, the curbweight of the cab chassis and the weight of the body. It is important that you determine that your truck has satisfactory carrying capacity and axle ratings for your specific application.

No alterations are needed to install the **EZ-Dumper**<sup>®</sup> in most trucks.

### Standard Features

- Twelve gauge steel floor
- Fourteen gauge steel sides
- Structural steel frame
- Four bolt-down clamps
- One under mounted hoist and pump
- Remote control
- Double-acting removable tailgate
- Grease fittings on pivots
- Paint: Powder Coated Black
- Unit Weight: 820 pounds



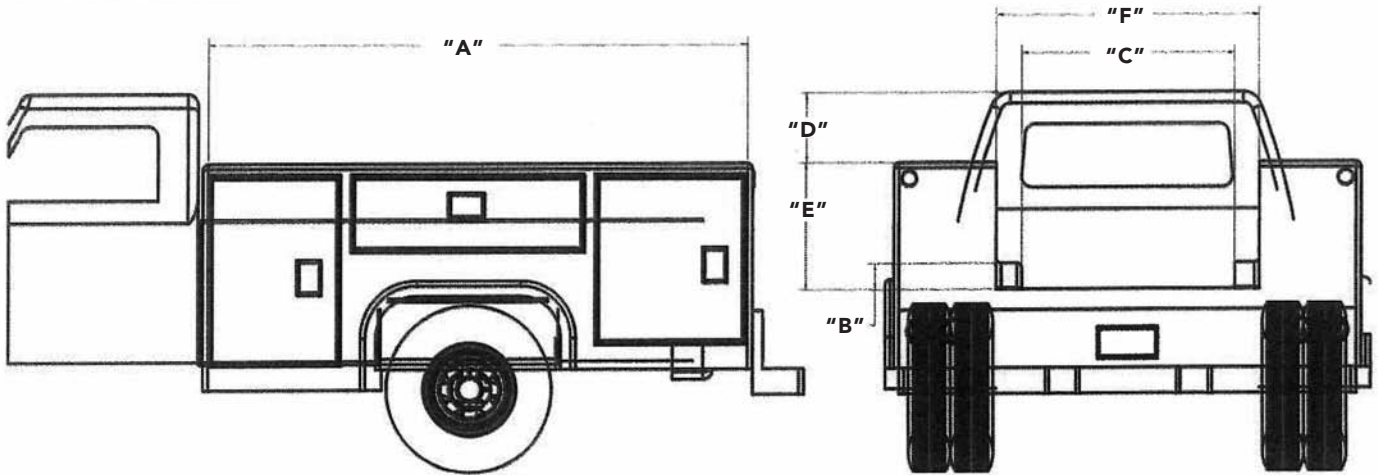
Deluxe Cab Protector



Tarp Roller Kit



# UTILITY BODY INSERT



TOP LOADING TOOL BOX	YES	NO	EZ DUMPER IS NOT RESPONSIBLE FOR THE ACCURACY OF THE SUPPLIED DIMENSIONS. BUYERS SIGNATURE AND DATE ARE REQUIRED AS APPROVAL BEFORE FABRICATION.	DESCRIPTION		DIM.	
STANDARD UB				INSIDE BED LENGTH	"A"		
READING UB 12" TOP FLANGE				WHEEL WELL HEIGHT	"B"		
MODEL				BETWEEN WHL. WELLS	"C"		
YEAR				TOP OF BED TO TOP OF CAB	"D"		
U.B. MAKE				INSIDE WALL HEIGHT	"E"		
				SMALLEST BED WIDTH	"F"		
RECEIVED				OTHER			
TO PRODUCTION							
BUYER				PHONE	FAX		
BUYER ADDRESS			SIGNATURE		DATE		



**EZ-Dumper®** by Valley Manufacturing, LLC  
 6806 Anthony Hwy.  
 Waynesboro, PA 17268  
 (866) 967-DUMP / (717) 762-1303  
[www.EZ-Dumper.com](http://www.EZ-Dumper.com)

Authorized Dealer