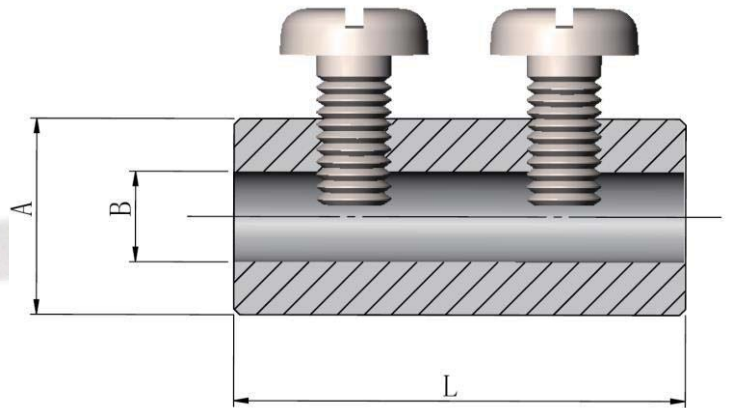


Sample Transfer Devices

Connectors



BeCu



Ta

- Fully UHV Compatible Material
- Wide Temperature Range for application
- Minimum Order Unit: package (10 per pack)
- Gold Coating Optional
- Multiple sizes (can be customized)
- UHV Wire compatible Kapton wires are available

Pin							
A (OD)	B (ID)	L	Material	Gender	Weight	Threaded Hole	Part Number
mm					g		
6.50	3.20	15.00	BeCu	Female	3	M2	FPIN1-Cu
5.00	2.00	12.00			2	M2	FPIN2-Cu
6.50	3.20	15.00	Ta	Female	6	M2	FPIN1-Ta
5.00	2.00	12.00			3	M2	FPIN2-Ta