

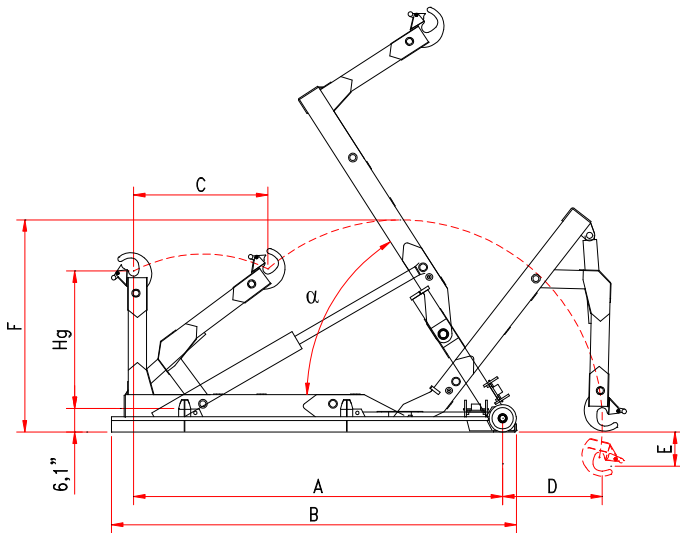


b.o.b. Sistemi Idraulici S.p.A.

**unilift®**

COMPANY WITH  
QUALITY SYSTEM  
CERTIFIED BY DNV GL  
= ISO 9001 =

**HOOKLIFT « A 9.000 »**



MODEL	A 9.000 XC	A 9.000 C	A 9.000 N	A 9.000 L
Hg	35.63" (905 mm)	35.63" (905 mm)	35.63" (905 mm)	35.63" (905 mm)
A	104.72" (2.660 mm)	116.53" (2.960 mm)	124.4" (3.160 mm)	132.28" (3.360 mm)
B	95.47" (2.425 mm)	107.28" (2.725 mm)	119.09" (3.025 mm)	125.98" (3.200 mm)
C	34.64" (880 mm)	34.64" (880 mm)	34.64" (880 mm)	31.49" (800 mm)
D	25.59" (650 mm)	23.62" (600 mm)	23.62" (600 mm)	21.65" (550 mm)
E	7.87" (200 mm)	3.93" (100 mm)	1.96" (50 mm)	3.93" (100 mm)
F	54.72" (1.390 mm)	59.05" (1.500 mm)	62.99" (1.600 mm)	66.92" (1.700 mm)
Weight*	1.012 lb (460 Kg)	1.045 lb (475 Kg)	1.078 lb (490 Kg)	1.116 lb (530 Kg)
a	57°	51°	47°	45°
Container min. max.	8' - 10' (2.440 - 3.050 mm)	9' - 11' (2.740 - 3.350 mm)	10' - 12' (3.050 - 3.650 mm)	11' - 13' (3.350 - 3.950 mm)
LIFTING CAPACITY	9.000 lb (4.090 Kg)	9.000 lb (4.090 Kg)	9.000 lb (4.090 Kg)	9.000 lb (4.090 Kg)
TIPPING CAPACITY	9.000 lb (4.090 Kg)	9.000 lb (4.090 Kg)	9.000 lb (4.090 Kg)	9.000 lb (4.090 Kg)

\*Weight: basic hooklift weight without kit and options

The technical details shown in this sheet are indicative and can be changed by the builder without prior notice

**B.O.B. Sistemi Idraulici S.p.A.** – Regione Oltre Rea, 32 – 12060 Monchiero (CN) - Italia

P. I.V.A. 00496180043 - Tel.: +39 (0173) 780002/3 – Fax: +39 (0173) 780004

Internet: [www.bobspa.com](http://www.bobspa.com) - E-mail: [info@bobspa.com](mailto:info@bobspa.com)