
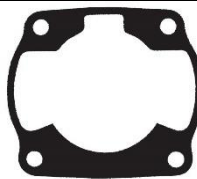
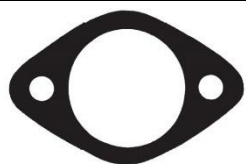
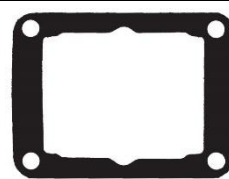



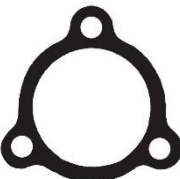




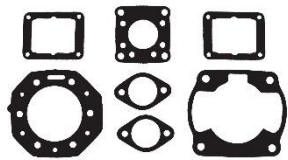
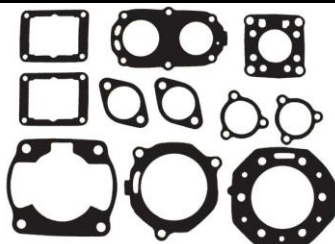
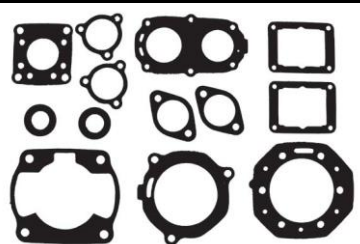
# Kawasaki 300

DESCRIPTION	OEM PART #	OURPART#
HEAD *	11004-3712	5000
BASE *	11060-3747	5020
38 MM CARB BASE (2 REQ'D) *	11009-3786	5030
REED (2 REQ'D) *	11060-3703	5040
EXHAUST *	11009-3750	5050
HEAD PIPE	11009-3744	5060
CONNECTOR PIPE	11060-3736	5070
SPARK ARRESTOR 38MM (2 REQ'D)	11060-3702	5080
<b>SEALS</b>		
SEAL (2 REQ'D)	92049-1047	5090
SEAL KIT	ALL	5095K
<b>KITS</b>		
300 TOP KIT		5100K
300 COMPLETE KIT	ALL	5150K
300 COMPLETE WITH SEALS	ALL	5152K

\* DENOTES ITEM IS INCLUDED IN TOP KIT

No. 5000 OEM. 11004-3712	No. 5020 OEM. 11060-3747	No. 5030 OEM. 11009-3786	No. 5040 OEM. 11060-3703	No. 5050 OEM. 11009-3750
				
Head Gasket	Base	38MM Carb Base (2 Required)	Reed (2 Required)	Exhaust

No. 5060 OEM. 1109-3744	No. 5070 OEM. 11060-3736	No. 5080 OEM. 11060-3702	No. 5090 OEM. 92049-1047	No. 5095K
				
Head Pipe	Connector Pipe	Spark Arrestor	Seal (2 Required)	Seal Kit

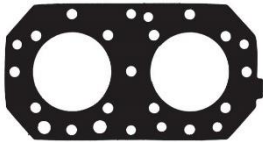
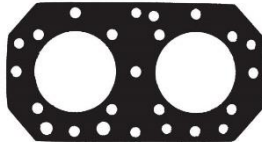


No. 5100K	No. 5150K	No. 5152K
		
300 Top Kit	300 Complete Kit	300 Complete Kit W/ Seals


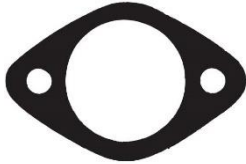

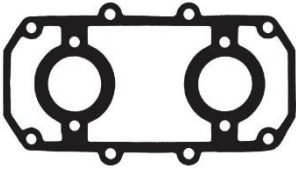

# Kawasaki 440

DESCRIPTION	OEM PART #	OURPART#
HEAD	11004-3707	5200
HEAD ULTIMATE GREEN .047	ULTIMATE	5230
BASE (2 REQ'D)	11009-505	5240
BASE (1 PIECE)	11009-3782	5430
INTAKE (2 REQ'D)	11009-3785	5250
38 MM CARB BASE (3 REQ'D)	11009-3786	5030
HOUSING PRE '82	92065-515	5270
EXHAUST	11009-3779	5280
HEADPIPE	11060-3710	5290
SPARK ARRESTOR 38MM (2 REQ'D)	11060-3702	5080
<b>SEALS</b>		
CRANK SEAL	92049-3005	5310
CRANK SEAL (2 REQ'D)	92049-3006	5330
CRANK SEAL KIT	ALL	5335K
<b>KITS</b>		
440 COMPLETE KIT	ALL	5350K
440 COMPLETE WITH SEALS	ALL	5354K

\* DENOTES ITEM IS INCLUDED IN TOP KIT

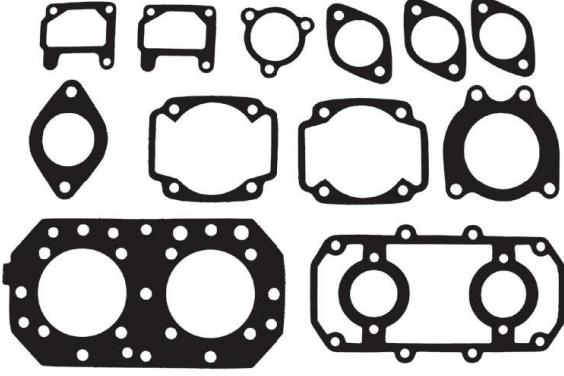
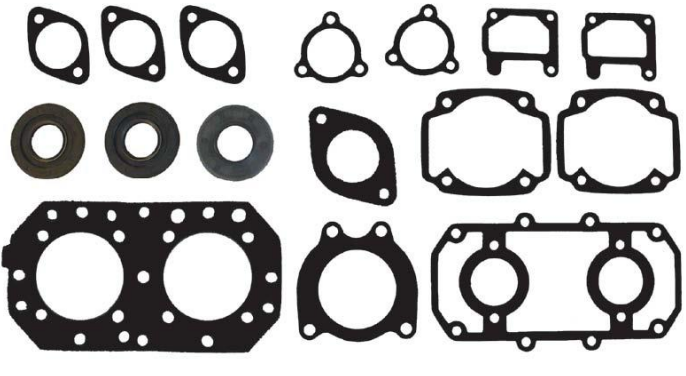
\*\* NOT ORIGINAL EQUIPMENT

No. 5200 OEM. 11004-3707	No. 5230 ULTIMATE	No. 5240 OEM. 11009-505	No. 5430 OEM. 11009-3782
			
Head Gasket	Head Gasket Ultimate Green .047	Base Gasket (2 Required)	Base Gasket (1 Piece)

No. 5250 OEM. 11009-3785	No. 5030 OEM. 11009-3786	No. 5270 OEM. 92065-515	No. 5280 OEM. 11009-3779	No. 5290 OEM. 11060-3710
				
Intake (2 Required)	38MM Carb Base (3 Required)	Housing Pre '82	Exhaust	Head Pipe

# Kawasaki 440

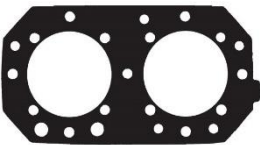
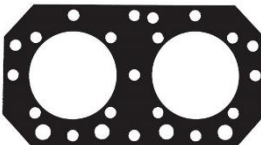
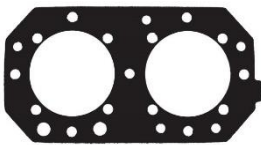

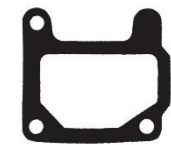
<p>No. 5080 OEM. 11060-3702</p>	<p>No. 5310 OEM. 92049-3005</p>	<p>No. 5330 OEM. 92049-3005</p>	<p>No. 5335K ALL</p>
			
<p>Spark Arrestor 38MM (2 Required)</p>	<p>Crank Seal</p>	<p>Crank Seal (2 Required)</p>	<p>Crank Seal Kit</p>

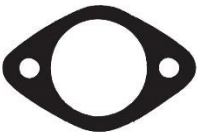

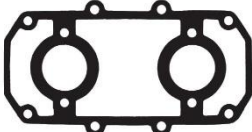
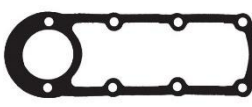

<p>No. 5350K</p> 	<p>No. 5354K</p> 
<p>440 Complete Kit</p>	<p>440 Complete W/ Seals</p>

# Kawasaki 550 Pre 1991



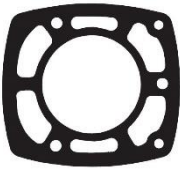
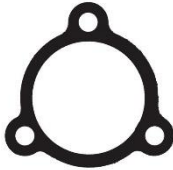
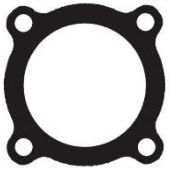
DESCRIPTION	OEM PART #	OURPART#
HEAD	11004-3707	5200
HEAD ULTIMATE GREEN .047	ULTIMATE	5420
BASE (2 REQ'D)	11009-505	5240
BASE (1 PIECE)	11009-3782	5430
BASE GASKET STAINLESS STEEL		5430.010
BASE GASKET VR		5430.030
INTAKE (2 REQ'D)	11009-3785	5250
38 MM CARB BASE (3 REQ'D)	11009-3786	5030
HOUSING PRE '82	92065-515	5270
EXHAUST	11009-3779	5280
HEADPIPE	11060-3710	5290
SPARK ARRESTOR 38MM (2 REQ'D)	11060-3702	5080
<b>SEALS</b>		
CRANK SEAL	92049-3005	5310
CRANK SEAL (2 REQ'D)	92049-3006	5330
CRANK SEAL KIT	ALL	5335K
<b>KITS</b>		
550 Pre 1986 TOP KIT		5550K
550 Pre 1986 COMPLETE KIT		5560K
550 86-90 TOP END KIT	ALL	5570K
550 86-90 COMPLETE KIT WITH SEALS	ALL	5585K

\*\* NOT ORIGINAL EQUIPMENT

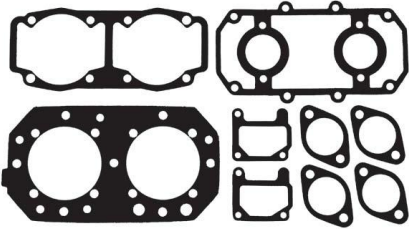
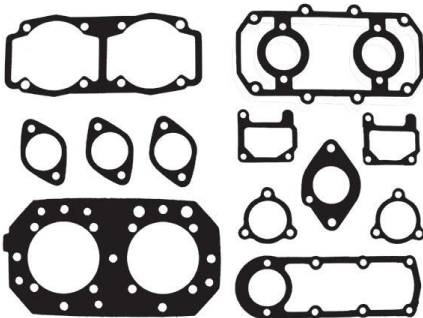
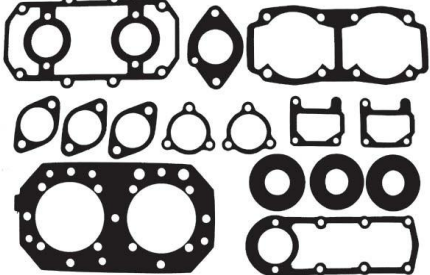
No. 5400 OEM. 11004-3709	No. 5410 NOE	No. 5420 ULTIMATE	No. 5430 OEM. 11009-3782	No. 5250 OEM. 11009-3785
				
Head Gasket	Head Gasket Copper .020	Head Gasket Ultimate Green .047	Base Gasket	Intake (2 Required)

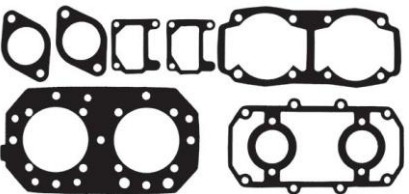
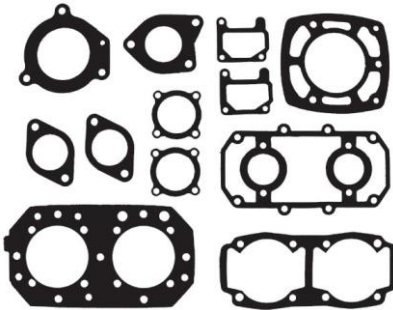
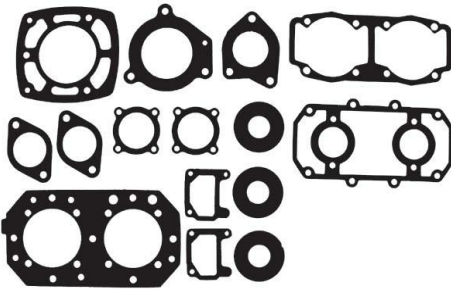
No. 5030 OEM. 11009-3786	No. 5460 OEM. 11060-3743	No. 5280 OEM. 11009-3779	No. 5480 OEM. 11009-3051	No. 5490 OEM. 11060-3730
				
38MM Carb Base Pre '86 (3 Required)	44MM Carb Base 86-90(2 Required)	Exhaust	Headpipe Pre '86	Connector Pipe Lower Pre '86

# Kawasaki 550 Pre 1991

No. 5500 OEM. 11060-3726	No. 5510 OEM. 11060-3727	No. 5520 OEM. 11060-3728	No. 5080 OEM. 11060-3702	No. 5540 OEM. 11060-3744
				
Headpipe86-90	Connector Pipe86-90	Chamber 86+	Spark Arrestor 38MM (2 Required)	Air Cleaner 44MM 86-90(2 Required)

No. 5310 OEM. 92049-3005	No. 5330 OEM. 92049-3006	No. 5335K SEE PIC.
		
Crank Seal	Crank Seal (2 Required)	Crank Seal Kit

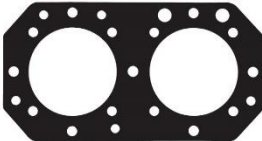
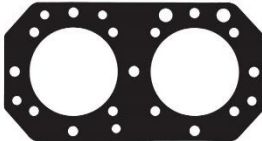




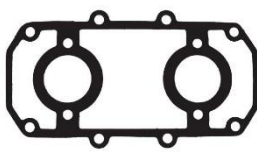



No. 5550K	No. 5560K	No. 5565K
		
Pre '86 550 Top Kit	Pre '86 550 Complete Kit	Pre '86 550 Complete Kit W/ Seals

No. 5570K	No. 5580K	No. 5585K
		
1986-90 550 Top Kit	1986-90 550 Complete Kit	1986-90 550 Complete Kit W/ Seals




# Kawasaki 550 1991-95

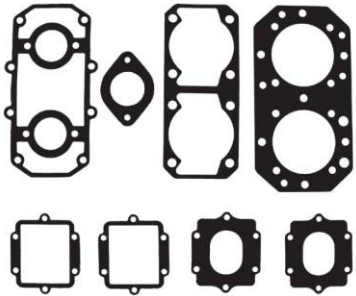
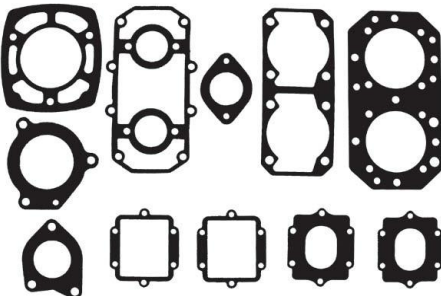
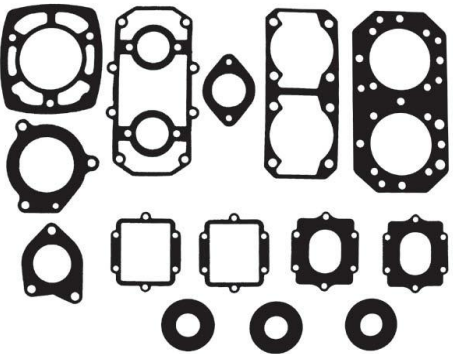
DESCRIPTION	OEM PART #	OURPART#
HEAD STAINLESS STEEL .010 *	11004-3706	5600
HEAD ULTIMATE GREEN .047	ULTIMATE	5610
BASE STAINLESS STEEL .010 *	11009-3780	5630
REED (2 REQ'D) *	11009-3787	5640
INTAKE (2 REQ'D) *	11009-3788	5650
KEIHIN 38MM *	11060-3716	5660
EXHAUST *	11009-3779	5280
HEADPIPE	11060-3726	5500
CONNECTOR PIPE	11060-3727	5510
CHAMBER	11009-2446	5520
<b>SEALS</b>		
CRANK SEAL	92049-3005	5310
CRANK SEAL (2 REQ'D)	92049-3006	5330
CRANK SEAL KIT	ALL	5335k
<b>KITS</b>		
550 SX TOP KIT	1991-1995	5680K
550 SX COMPLETE KIT	1991-1995	5690K
550 SX COMPLETE KIT WITH SEALS	1991-1995	5695K

\* DENOTES ITEM IS INCLUDED IN TOP KIT

No. 5600 OEM. 11004-3706	No. 5610 ULTIMATE	No. 5630 OEM. 11009-3780	No. 5640 OEM. 11009-3787	No. 5650 OEM. 11009-3788
				
Head Gasket Stainless Steel .010	Head Ultimate Green .047	Base Stainless Steel .010	Reed (2 Required)	Intake (2 Required)
No. 5660 OEM. 11060-3716	No. 5280 OEM.11009-3779	No. 5500 OEM. 11060-3727	No. 5510 OEM. 11060-3727	No. 5520 OEM. 11009-2446
				
Keihin 38MM Carb Base	Exhaust	Headpipe	Connector Pipe	Chamber

# Kawasaki 550 1991-95

No. 5310 OEM.92049-3005	No. 5330 OEM. 92049-3006	No. 5335K
		
Crank Seal	Crank Seal (2 Required)	Crank Seal Kit

No. 5680K 	No. 5690K 	No. 5695K 
1991-95 550 SX Top Kit	1991-95 550 SX Complete Kit	1991-95 550 SX Complete Kit W/ Seals

# Kawasaki 650 X-2 / TS / SC

DESCRIPTION	OEM PART #	OUR PART#
HEAD STAINLESS STEEL .010	11004-3710	5800
HEAD ULTIMATE GREEN .047	ULTIMATE	5830
BASE	11009-3775	5850
REED (4 REQ'D)	11009-3731	5860
KEIHIN 28MM CARB BASE	11009-3747	5870
KEIHIN 38MM CARB BASE	11060-3716	5660
EXHAUST	11060-3716	5880
HEAD PIPE	11009-3722	5890
HEAD PIPE	11009-3752	5900
MUFFLER (TS MODEL)	11060-3718	7120
CONNECTOR PIPE (X-2 MODEL)	11009-3724	5910
CONTROL VALVE (SEE PIC. MODELS)	11060-3723	7150
<b>SEALS</b>		
CRANK SEAL (2 REQ'D)	92049-3705	5920
CRANK SEAL	92049-3706	5930
CRANK SEAL KIT	ALL	5935K
<b>KITS</b>		
650 COMPLETE KIT	650	5940K
650 COMPLETE KIT WITH SEALS	650	5945K
X-2, TS COMPLETE KIT	X-2 / TS	5960K
X-2, TS COMPLETE KIT WITH SEALS	X-2 / TS	5965K

\*\* NOT ORIGINAL EQUIPMENT

No. 5800 OEM. 11004-3710	No. 5830 ULTIMATE	No. 5850 OEM. 11009-3775
Head Stainless Steel .010	Head Ultimate Green .047	Base Gasket

No. 5860 OEM. 11009-3731	No. 5870 OEM. 11009-3747	No. 5660 OEM. 11060-3716	No. 5880 OEM. 11060-3716
Reed (4 Required)	Keihin 28MM Carb Base	Keihin 38MM Carb Base	Exhaust



# Kawasaki 650 X-2 / TS / SC

No. 5890 OEM. 11009-3722	No. 5900 OEM. 11009-3752	No. 7120 OEM. 11009-3718	No. 5910 OEM. 11009-3724	No. 7150 OEM. 11009-3723
Head Pipe	Head Pipe	Muffler (TS Model)	Connector Pipe (X-2 Model)	Control Valve (All Models)

No. 5920 OEM. 92049-3705	No. 5930 OEM. 92049-3706	No. 5935K SEE PIC.
Crank Seal (2 Required)	Crank Seal	Crank Seal Kit

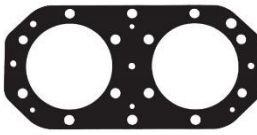
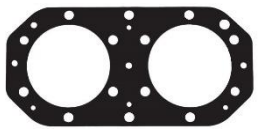
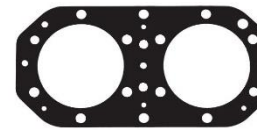
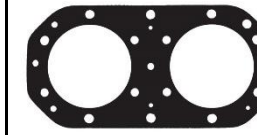
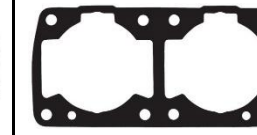
No. 5940K	No. 5945K	No. 5960K	No. 5965K
650 Complete Kit	650 Complete Kit W/ Seals	X-2 / TS Complete Kit	X-2 / TS Complete Kit W/ Seals




# Kawasaki 750 SX / SXi / Pro

DESCRIPTION	OEM PART #	OURPART#
HEAD STAINLESS STEEL .010 *	11004-3714	7000
HEAD 83.25 MM BORE	NOE **	7000BB
HEAD COPPER .020	NOE **	7010
HEAD ULTIMATE GREEN .047	ULTIMATE	7020
HEAD GASKET VR		7020.030
BASE *	11060-3711	7040
REED SX (4 REQ'D) * SXi (2 REQ'D)	11060-3717	7050
REED SXi (2 REQ'D) *	11060-3757	7430
40mm CARB SX '95 *	11060-3716	7060
40mm CARB SXi '96 *	11060-3761	7065
EXHAUST 750 (2 REQ'D) *	11060-3759	7070
HEAD PIPE (SEE PIC. MODELS)	11060-3712	7080
UPPER MUFFLER (SEE PIC. MODELS)	11060-3713	7090
MUFFLER (SEE PIC. MODELS)	11060-3714	7140
CONTROL VALVE (SEE PIC. MODELS)	11060-3723	7150
<b>SEALS</b>		
CRANK SEAL (2 REQ'D)	92049-3713	5920
CRANK SEAL	92049-3706	5930
CRANK SEAL KIT	ALL	5935K
<b>KITS</b>		
750 TOP KIT	ALL	7200K
750 COMPLETE KIT	SX, SXi	7210K
750 COMPLETE KIT WITH SEALS	SX, SXi	7215K


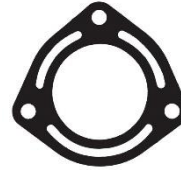

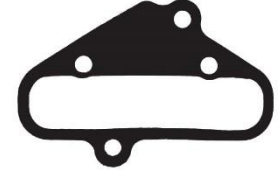
\* DENOTES ITEM IS INCLUDED IN TOP KIT

\*\* NOT ORIGINAL EQUIPMENT

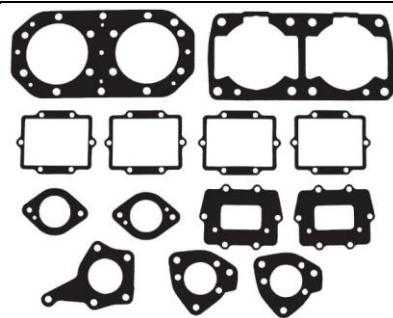
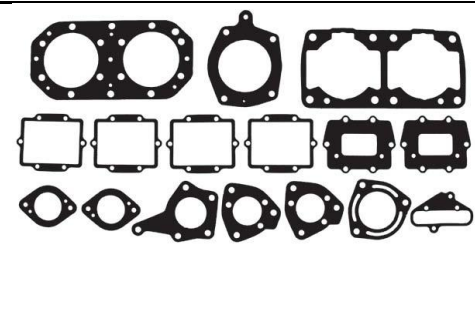
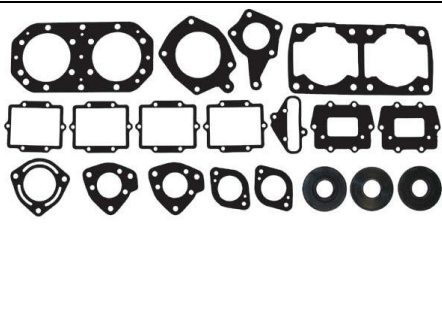
No. 7000 OEM. 11004-3714	No. 7000BB NOE	No. 7010 NOE	No. 7020 Ultimate	No. 7040 OEM. 11060-3711
				
Head Gasket Stainless Steel 010	Head Gasket 83.25 MM Bore	Head Gasket Copper .020	Head Gasket Ultimate Green .047	Base Gasket

No. 7050 OEM. 11060-3717	No. 7430 OEM. 11060-3757	No. 7060 OEM. 11060-3716	No. 7065 OEM. 11060-3761	No. 7070 OEM. 11060-3759
				
Reed SX (4 Required) SXi (2 Required)	Reed SXi (2 Required)	40mm Carb	40mm Carb SXi '96	Exhaust (2 Required)

# Kawasaki 750 SX / SXi / Pro

No. 7080 OEM. 11060-3712	No. 7090 OEM. 11060-3713	No. 7140 OEM. 11060-3714	No. 7150 OEM. 11060-3723
			
Head Pipe (All Models)	Upper Muffler (All Models)	Muffler (All Models)	Control Valve (All Models)

No. 5920 OEM. 92049-3705	No. 5930 OEM. 92049-3706	No. 5935K ALL
		
Crank Seal (2 Required)	Crank Seal	Crank Seal Kit


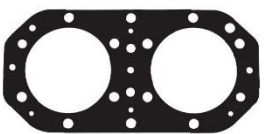
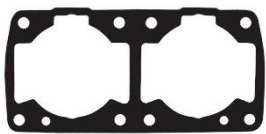

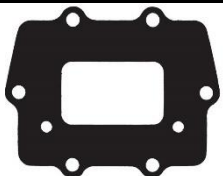
No. 7200K	No. 7210K	No. 7215K
		
750 Top Kit	750 Complete Kit (SX, SXi)	750 Complete Kit W/ Seals (SX, SXi)

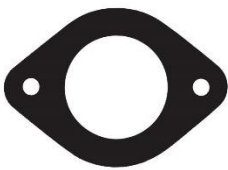
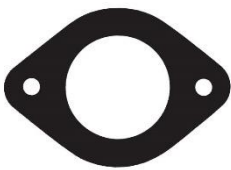


# Kawasaki 750 SS / Xi / XiR

DESCRIPTION	OEM PART #	OURPART#
HEAD STAINLESS STEEL .010 *	11004-3714	7000
HEAD 83.25 MM BORE	NOE **	7000BB
BASE (SEE PIC. MODELS) *	11060-3711	7040
REED SS 92+, Xi 93-95, XiR (4 REQ'D) *	11060-3717	7050
REED Xi '96 (2 REQ'D) *	11060-3717	7050
REED Xi '96 (2 REQ'D) *	11060-3757	7430
40mm CARB SS, Xi, XiR (2 REQ'D) *	11060-3716	7060
40mm CARB Xi '96 (2 REQ'D) *	11060-3758	7060
EXHAUST (SEE PIC. MODELS) (2 REQ'D)	11060-3721	7070
HEAD PIPE (SS 92-93 MODELS)	11060-3720	7100
HEADPIPE (SS 94+, Xi '93+ MODELS)	11060-3732	7110
HEAD PIPE (XiR MODEL)	11009-3752	5900
MUFFLER (SS, Xi MODELS)	11060-3718	7120
CONTROL VALVE (SEE PIC. MODELS)	11060-3723	7150
<b>SEALS</b>		
CRANK SEAL (2 REQ'D)	92049-3713	5920
CRANK SEAL	92049-3706	5930
CRANK SEAL KIT	ALL	5935K
<b>KITS</b>		
750 TOP KIT	ALL	7200K
750 COMPLETE KIT	SS,Xi	7220K
750 COMPLETE KIT WITH SEALS	SS,Xi	7224K
750 COMPLETE KIT	SS 92-93	7240K
750 COMPLETE KIT WITH SEALS	SS 92-93	7244K
750 COMPLETE KIT	XiR	7230K
750 COMPLETE KIT WITH SEALS	XiR	7235K




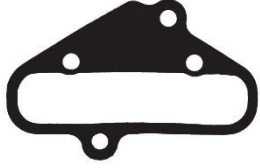
\* DENOTES ITEM IS INCLUDED IN TOP KIT

\*\* NOT ORIGINAL EQUIPMENT

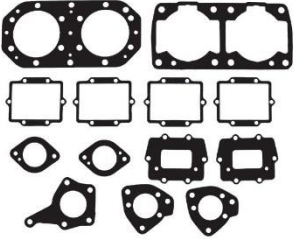
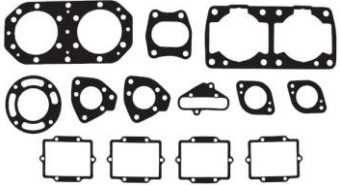

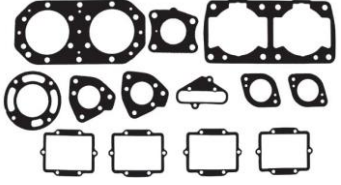
No. 7000 OEM. 11004-3714	No. 7000BB NOE	No. 7040 OEM. 11060-3711	No. 7050 OEM. 11060-3717	No. 7430 OEM. 11060-3757
				
Head Gasket Stainless Steel .010	Head Gasket 83.25 MM Bore	Base All Models	Reed SS 92+, Xi 93-95, XiR (4 Req'd), Xi 96 (2 Req'd)	Reed Xi '96 (2 Required)

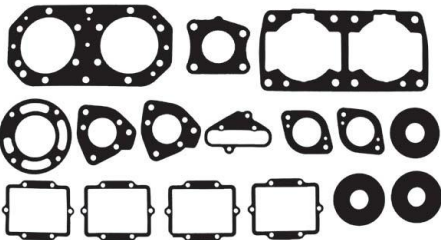
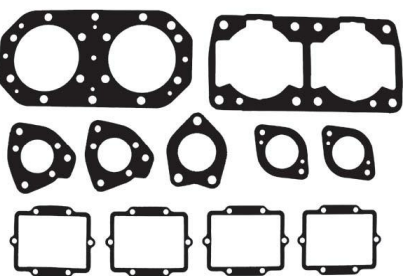
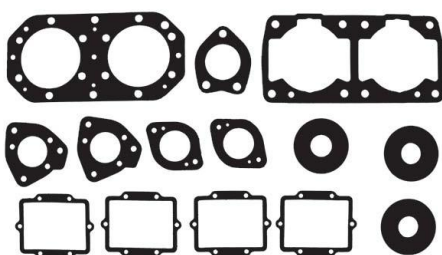
No. 7060 OEM. 11060-3716	No. 7060 OEM. 11060-3758	No. 7070 OEM. 11060-3721	No. 7100 OEM. 11060-3720
			
40mm Carb SS, Xi, XiR (2 Required)	40mm Carb Xi '96 (2 Required)	Exhaust (All Models) (2 Required)	Head Pipe (SS 92-93 Models)

# Kawasaki 750 SS / Xi / XiR

No. 7110 OEM. 11060-3732	No. 5900 OEM. 11009-3752	No. 7120 OEM. 11060-3718	No. 7150 OEM. 11060-3723
			
Head Pipe (SS 94+, Xi'93+ Models)	Head Pipe (XiR Model)	Muffler (SS, Xi Models)	Control Valve (All Models)

No. 5920 OEM. 92049-3705	No. 5930 OEM. 92049-3706	No. 5935K All
		
Crank Seal (2 Required)	Crank Seal	Crank Seal Kit

No. 7200K	No. 7220K	No. 7224K	No. 7240K
			
750 Top Kit	750 Complete Kit (SS, Xi)	750 Complete Kit W/ Seals (SS, Xi)	750 Complete Kit (SS 92-93)

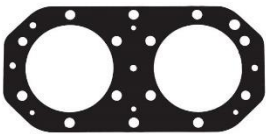
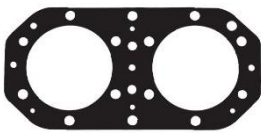
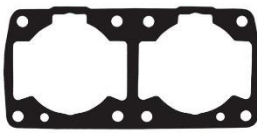

No. 7244K	No. 7230K	No. 7235K
		
750 Complete Kit W/ Seals (SS 92-93)	750 Complete Kit (XiR)	750 Complete Kit W/ Seals (XiR)

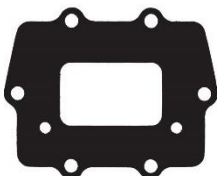
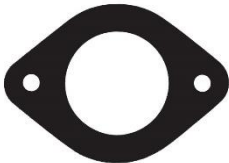


# Kawasaki 750 STS / STX / ZXi

DESCRIPTION	OEM PART#	OURPART#
HEAD STAINLESS STEEL .010 *	11004-3714	7000
HEAD 83.25 MM BORE	NOE**	7000BB
BASE (SEE PIC. MODELS) *	11060-3711	7040
REED STS, STX, ZXi (2 REQ'D) *	11060-3717	7050
REED STS, STX, ZXi (2 REQ'D) *	11060-3757	7430
40MM CARB STS, STX, ZXi (2 REQ'D) *	11060-3758	7060
EXHAUST STS 95-96, ZXi, STX (2 REQ'D) *	11060-3721	7070
HEAD PIPE (95 STS MODEL)	11060-3732	7110
HEAD PIPE (96 STS MODEL / STX)	11060-3771	7115
HEAD PIPE (95-96 ZXi MODEL)	11060-3754	7470
MUFFLER 1 (95 STS MODEL)	11060-3718	7120
EXHAUST JOINT (96 STS MODEL / STX)	11060-3763	7125
MUFFLER 1 (96 STS MODEL / STX)	11060-3766	7135
MUFFLER 2 (96 STS)	11060-3770	7145
MUFFLER (95-96 ZXi MODEL)	11060-3755	7480
CONTROL VALVE (SEE PIC. MODELS)	11060-3723	7150
<b>SEALS</b>		
CRANK SEAL (2 REQ'D)	92049-3713	5920
CRANK SEAL	92049-3706	5930
CRANK SEAL KIT	ALL	5935K
<b>KITS</b>		
750 TOP KIT	ALL	7200K
750 COMPLETE KIT (95 STS)	STS	7225K
750 COMPLETE KIT WITH SEALS (95 STS)	STS	7227K
750 COMPLETE KIT (95+ ZXi)	ZXi	7245K
750 COMPLETE KIT WITH SEALS (95+ ZXi)	ZXi	7247K

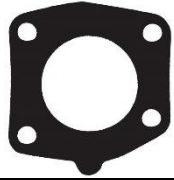



\* DENOTES ITEM IS INCLUDED IN TOP KIT

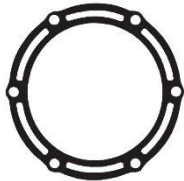
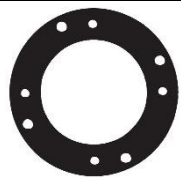
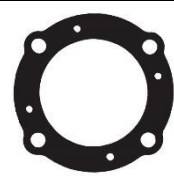
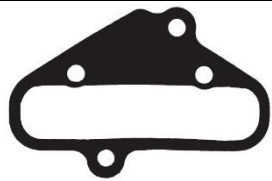
\*\* NOT ORIGINAL EQUIPMENT

No. 7000 OEM. 11004-3714	No. 7000BB NOE	No. 7040 OEM. 11060-3711	No. 7050 OEM. 11060-3717
			
Head Gasket Stainless Steel .010	Head Gasket 83.25 MM Bore	Base All Models	Reed STS, STX, ZXi (2 Required)

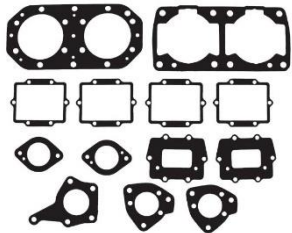
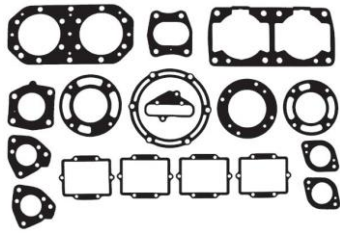
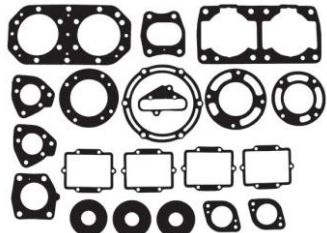
No. 7430 OEM. 11060-3757	No. 7060 OEM. 11060-3758	No. 7070 OEM. 11060-3721 OEM. 11060-3759	No. 7110 OEM. 11060-3732
			
Reed STS, STX, ZXi (2 Required)	40mm Carb STS, STX, ZXi (2 Required)	Exhaust STS 95-96 ZXi, STX (2 Required)	Head Pipe(95 STS Model)

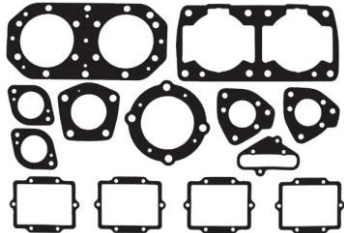
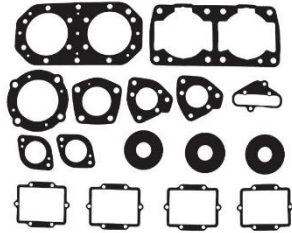
# Kawasaki 750 STS / STX / ZXi

No. 7115 OEM. 11060-3771	No. 7470 OEM. 11060-3754	No. 7120 OEM. 11060-3718	No. 7125 OEM. 11060-3763
			
Head Pipe(96 STS Model / STX)	Head Pipe(95-96ZXi Model)	Muffler 1 (95 STS Model)	Exhaust Joint (96 STS Model / STX)

No. 7135 OEM. 11060-3766	No. 7145 OEM. 11060-3770	No. 7480 OEM. 11060-3755	No. 7150 OEM. 11060-3723
			
Muffler 1 (96 STS Model)	Muffler 2 (96 STS)	Muffler (95-96ZXi Model)	Control Valve (All Models)

No. 5920 OEM. 92049-3705	No. 5930 OEM. 92049-3706	No. 5935K All
		
Crank Seal (2 Required)	Crank Seal	Crank Seal Kit

No. 7200K	No. 7225K	No. 7227K
		
750 Top Kit	750 Complete Kit (95 STS)	750 Complete Kit W/ Seals (95 STS)




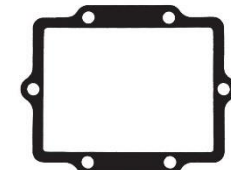
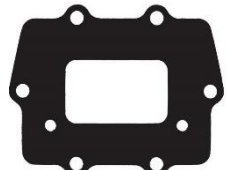
No. 7245K	No. 7247K
	
750 Complete Kit (95+ ZXi)	750 Complete Kit W/ Seals (95+ ZXi)




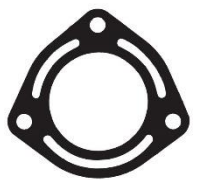

# Kawasaki 800 SXR

DESCRIPTION	OEM PART #	OURPART#
HEAD STAINLESS STEEL .010 *	11004-3720	7000
HEAD 83.25 MM BORE AND 84.50 MM BORE	NOE **	7000BB
BASE SXR *	11060-3711	7042
BASE GASKET P		7042.010
REED SXR (2 REQ'D) *	11060-3717	7050
REED SXR (2 REQ'D) *	11060-3757	7430
40mm CARB SXR (4 REQ'D) *	11060-3761	7067
EXHAUST SXR (2 REQ'D)	11060-3759	7075
EXHAUST WITH LARGER ID		7075-1
HEAD PIPE SXR	11060-3712	7080
UPPER MUFFLER SXR	11060-3713	7090
MUFFLER SXR	11060-3714	7140
<b>SEALS</b>		
CRANK SEAL (2 REQ'D)	92049-3713	5920
CRANK SEAL	92049-3706	5930
CRANK SEAL KIT	ALL	5935K
<b>KITS</b>		
800 TOP KIT	SEE PIC	7300K
800 COMPLETE KIT	SXR	7310K
800 COMPLETE KIT WITH SEALS	SXR	7320K

\* DENOTES ITEM IS INCLUDED IN TOP KIT




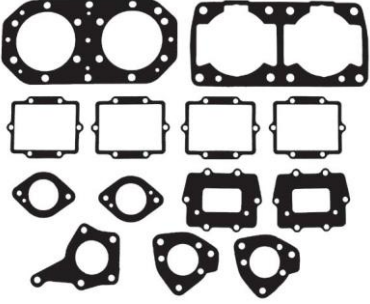


\*\* NOT ORIGINAL EQUIPMENT

No. 7000 OEM. 11004-3714	No. 7000BB	No. 7042 OEM. 11060-3711	No. 7050 OEM. 11060-3717	No. 7430 OEM. 11060-3757
				
Head Gasket Stainless Steel .010	Head Gasket 83.25 MM Bore	Base Gasket SXR	Reed Gasket SXR (2 Required)	Reed Gasket SXR (2 Required)

No. 7067 OEM. 11060-3761	No. 7075 OEM. 11060-3759	No. 7080 OEM. 11060-3712	No. 7090 OEM. 11060-3713	No. 7140 OEM. 11060-3714
				
40mm Carb Gasket (4 Required)	Exhaust SXR (2 Required)	Head Pipe SXR	Upper Muffler SXR	Muffler SXR



# Kawasaki 800 SXR




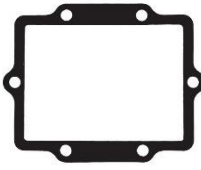
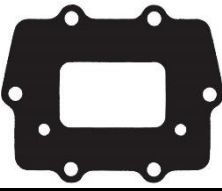
<p>No. 5920 OEM. 92049-3705</p>	<p>No. 5930 OEM. 92049-3706</p>	<p>No. 5935K All</p>
		
<p>Crank Seal (2 Required)</p>	<p>Crank Seal</p>	<p>Crank Seal Kit</p>
<p>No. 7300K</p>	<p>No. 7310K</p>	<p>No. 7320K</p>
		
<p>800 Top Kit</p>	<p>800 Complete Kit</p>	<p>800 Complete Kit W/ Seals</p>

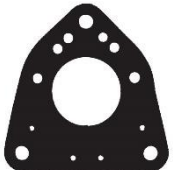



# Kawasaki 900 1995+ STX / ZXi

DESCRIPTION	OEM PART #	OURPART#
HEAD STAINLESS STEEL .010 *	11004-3713	7400
HEAD ULTIMATE GREEN .047	ULTIMATE **	7410
BASE *	11060-3752	7420
REED (3 REQ'D) *	11060-3717	7050
REED CARB (3 REQ'D) *	11060-3757	7430
EXHAUST (3 REQ'D) *	11060-3756	7450
CARB BASE	11060-3753	7460
HEAD PIPE	11060-3754	7470
MUFFLER	11060-3755	7480
<b>SEALS</b>		
CRANK SEAL	92049-3713	5920
CRANK SEAL	92049-3715	7484
CRANK SEAL	92049-3716	7486
CRANK SEAL KIT	ALL	7488K
<b>KITS</b>		
900 TOP KIT	ALL	7500K
900 COMPLETE KIT	ALL	7520K
900 COMPLETE KIT WITH SEALS	ALL	7525K

\* DENOTES ITEM IS INCLUDED IN TOP KIT

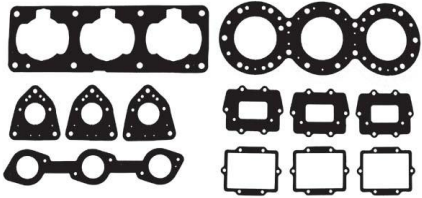
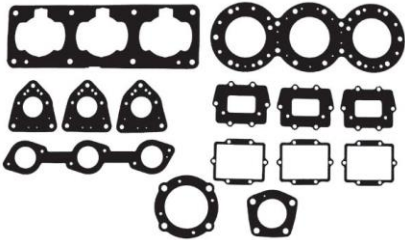
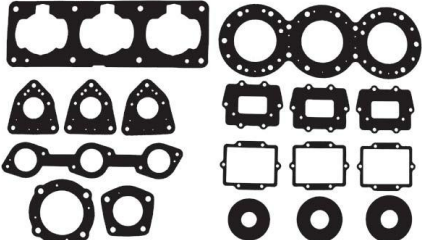
\*\* NOT ORIGINAL EQUIPMENT

No. 7400 OEM. 11004-3713	No. 7410 NOE	No. 7420 OEM. 11060-3752	No. 7050 OEM. 11060-3717	No. 7430 OEM. 11060-3757
				
Head Stainless Steel .010	Head Gasket Ultimate Green .047	Base Gasket	Reed Gasket (3 Required)	Reed Gasket (3 Required)

No. 7450 OEM. 11060-3756	No. 7460 OEM. 11060-3753	No. 7470 OEM. 11060-3754	No. 7480 OEM. 11060-3755
			
Exhaust (3 Required)	Carb Base	Head Pipe	Muffler

# Kawasaki 900 1995+ STX / ZXi




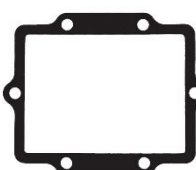
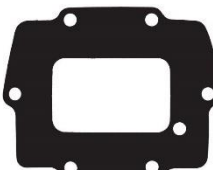
No. 5920 OEM. 92049-3713	No. 7484 OEM. 92049-3715	No. 7486 OEM. 92049-3716	No. 7488K
			
Crank Seal	Crank Seal	Crank Seal	Crank Seal Kit

No. 7500K 	No. 7520K 	No. 7525K 
900 Top Kit	900 Complete Kit	900 Complete Kit W/ Seals

# Kawasaki 1100 1996+ STX & ZXI

DESCRIPTION	OEM PART #	OURPART#
HEAD STAINLESS STEEL .010	11004-3715	7600
HEAD ULTIMATE GREEN .047	ULTIMATE **	7605
BASE GASKET	11060-3760	7615
BASE GASKET .016 PAPER		7615.016
BASE GASKET .020 PAPER		7615.020
BASE GASKET .030 PAPER		7615.030
REED (3 REQ'D)	11060-3717	7050
REED CARB (3 REQ'D)	11060-3757	7630
EXHAUST (3 REQ'D)	11060-3767	7650
CARB (1 REQ'D)	11060-3775	7652
CARB BASE GASKET CUSTOM		7652-1
CARB (1 REQ'D)	11060-3776	7655
HEAD PIPE	11060-3768	7660
MUFFLER	11060-3769	7665
<b>SEALS</b>		
CRANK SEAL	92049-3713	5920
CRANK SEAL	92049-3715	7484
CRANK SEAL	92049-3716	7486
CRANK SEAL KIT	ALL	7488K
<b>KITS</b>		
1100 COMPLETE KIT	ALL	7680K
1100 COMPLETE KIT WITH SEALS	ALL	7685K
1100 SUB KIT		7675K
1100 SUB CUSTOM KIT		7675CK

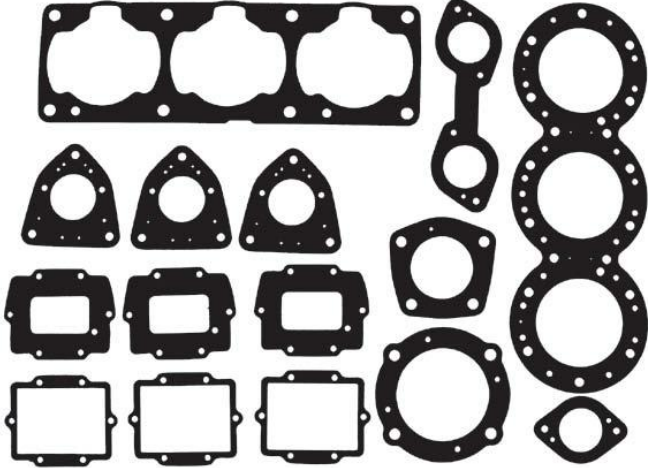
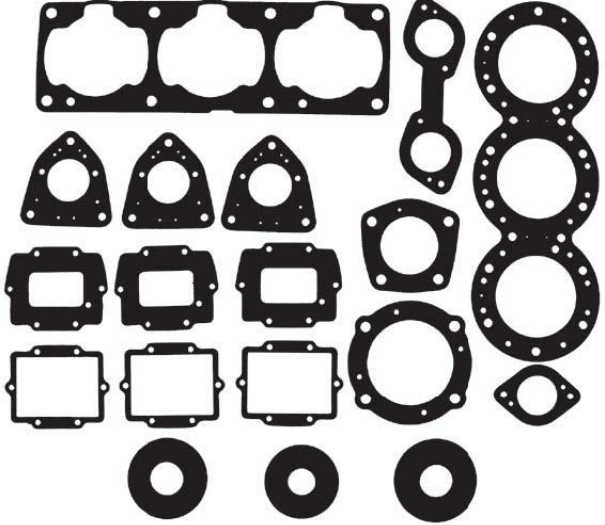
\* DENOTES ITEM IS INCLUDED IN TOP KIT



No. 7600 OEM. 11004-3715	No. 7605	No. 7615 OEM. 11060-3760	No. 7050 OEM. 11060-3717	No. 7630 OEM. 11060-3757
				
Head Stainless Steel .010	Ultimate Green .047	Base Gasket	Reed Gasket (3 Required)	Reed Gasket (3 Required)

No. 7650 OEM. 11060-3767	No. 7652 OEM. 11060-3775	No. 7655 OEM. 11060-3776	No. 7660 OEM. 11060-3768	No. 7665 OEM. 11060-3769
				
Exhaust (3 Required)	Carb (1 Required)	Carb (1 Required)	Head Pipe	Muffler

# Kawasaki 1100 1996+ ZXi

No. 5920 OEM. 92049-3713	No. 7484 OEM. 92049-3715	No. 7486 OEM. 92049-3716	No. 7488K
			
Crank Seal	Crank Seal	Crank Seal	Crank Seal Kit


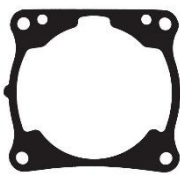
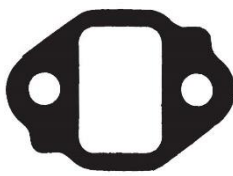
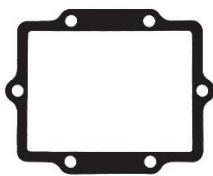
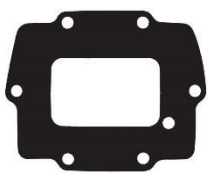
<p data-bbox="402 569 526 594">No. 7680K</p>  <p data-bbox="354 1169 574 1194">1100 Complete Kit</p>	<p data-bbox="1101 569 1224 594">No. 7685K</p>  <p data-bbox="1003 1169 1338 1194">1100 Complete Kit W/ Seals</p>
--	--


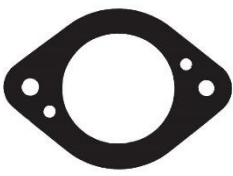
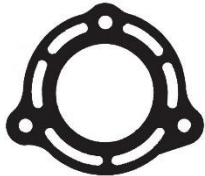


<p data-bbox="500 1234 623 1260">No. 7675K</p>  <p data-bbox="483 1480 639 1505">1100 Sub Kit</p>	<p data-bbox="1192 1234 1315 1260">No. 7675CK</p>  <p data-bbox="1192 1480 1347 1505">1100 Sub Kit</p>
--	---

# Kawasaki Ultra 150 1999+

DESCRIPTION	OEM PART #	OURPART#
HEAD STAINLESS STEEL .010 (3 REQ'D) *	11004-3717	7700
BASE (3 REQ'D) *	11060-3783	7715
WATER PIPE (3 REQ'D)	11060-3784	7720
REED (3 REQ'D) *	11060-3717	7050
REED CARB (3 REQ'D) *	11060-3757	7630
EXHAUST (3 REQ'D) *	11060-3785	7750
CARB (3 REQ'D)	11060-3788	7760
HEAD PIPE *	11060-3786	7770
EXHAUST BODY	11060-3787	7780
FLYWHEEL COVER	11060-3803	7790
<b>SEALS</b>		
CRANK SEAL	92049-3725	7800
CRANK SEAL	92049-3728	7810
CRANK SEAL (1999 ONLY)	92049-3729	7820
CRANK SEAL (2000+)	92049-3730	7822
CRANK SEAL KIT	1999 ONLY	7825K
CRANK SEAL KIT	2000+	7827K
<b>KITS</b>		
ULTRA 150 TOP KIT	ALL	7830K
ULTRA 150 COMPLETE KIT	ALL	7835K
ULTRA 150 COMPLETE KIT WITH SEALS	1999 ONLY	7840K
ULTRA 150 COMPLETE KIT WITH SEALS	2000+	7845K



\* DENOTES ITEM IS INCLUDED IN TOP KIT

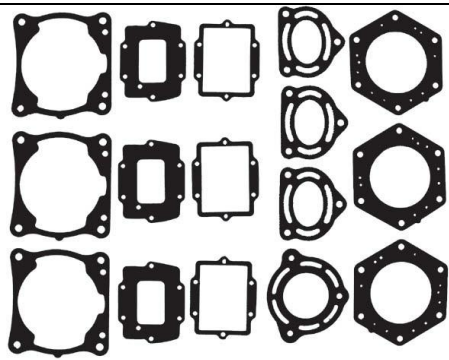
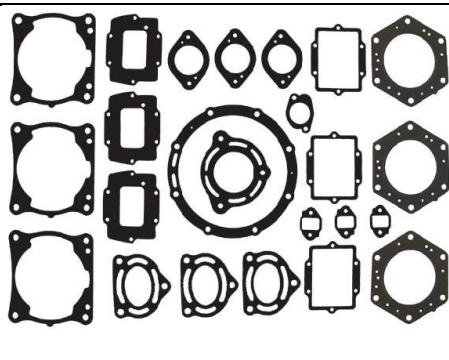
No. 7700 OEM. 11004-3717	No. 7715 OEM. 11060-3783	No. 7720 OEM. 11060-3784	No. 7050 OEM. 11060-3717	No. 7630 OEM. 11060-3757
				
Head Stainless Steel .010 (3 Required)	Base Gasket (3 Required)	Water Pipe (3 Required)	Reed Gasket (3 Required)	Reed Gasket (3 Required)

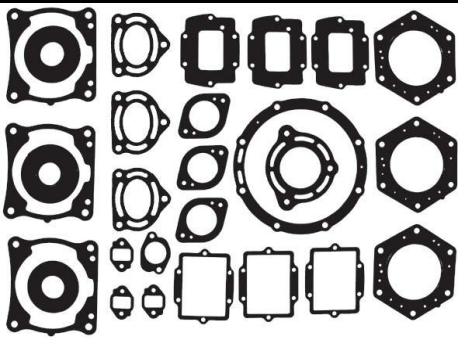
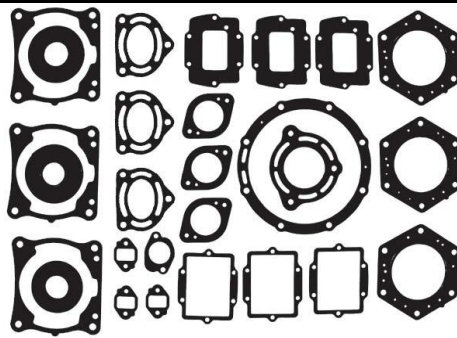
No. 7750 OEM. 11060-3785	No. 7760 OEM. 11060-3788	No. 7770 OEM. 11060-3786	No. 7780 OEM. 11060-3787	No. 7790 OEM. 11060-3803
				
Exhaust (3 Required)	Carb (3 Required)	Head Pipe	Exhaust Body	Flywheel Cover

# Kawasaki Ultra 150 1999+

No. 7800 OEM. 92049-3725	No. 7810 OEM. 92049-3728	No. 7820 OEM. 92049-3729	No. 7822 OEM. 92049-3730
			
Crank Seal	Crank Seal	Crank Seal (1999 ONLY)	Crank Seal (2000+)


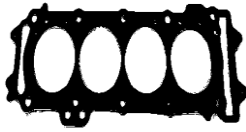
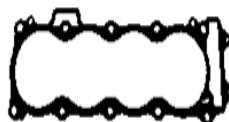


No. 7825K	No. 7827K
	
Crank Seal Kit (1999 ONLY)	Crank Seal Kit (2000+)

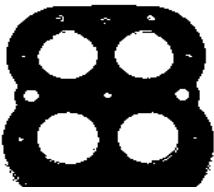



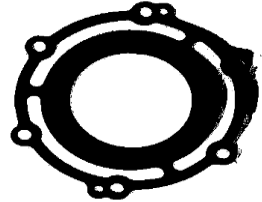
No. 7830K	No. 7835K
	
Ultra 150 Top Kit	Ultra 150 Complete Kit

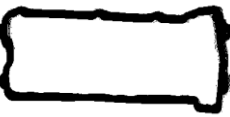
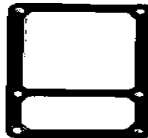



No. 7840K	No. 7845K
	
Ultra 150 Complete Kit W/ Seals 1999	Ultra 150 Complete Kit W/ Seals 2000+

# Kawasaki 4 STROKE / 1500SX-R

DESCRIPTION	OEM PART #	OUR PART#
HEAD 2007-10 250/260/300LX/300X SUPERCHARGED	11004-3723	3723
HEAD 2003-14 STX 12F/15F & ULTRA LX / 1500SX-R	11004-3721	3721
BASE ALL MODELS	11061-3708	3708
INTAKE MANIFOLD GRAFOIL (OEM) 2003-14 STX 12F/15F, ULTRA 250/260, ULTRA LX / 1500SX-R	11061-3716	3716G
INTAKE MANIFOLD PAPER 2003-14 STX 12F/15F, ULTRA 250/260, ULTRA LX / 1500SX-R		3716P
EXHAUST MANIFOLD 2003-14 12F/15F / 1500SX-R	11061-3713	3713
EXHAUST PIPE 2003-14 12F/15F ULTRA LX / 1500SX-R	11061-3714	3714
MUFFLER ULTRA 300X	11061-3768	3768
COMPRESSOR 2011-14 ULTRA 300 X & LX / 310 ALL	11061-3763	3763
COMPRESSOR INTAKE 07-10 ULTRA 250/260X & LX	11061-3764	3764
OUTPUT COVER 2003-14 ALL MODELS	11061-0812	0812
MUFFLER 07-14 ULTRA 250/260/300LX/300X/310 ALL		3768
MUFFLER 07-10 ULTRA 250/ 260X	11061-3760	3760
EXHAUST PIPE 07-14 250/260/300/310	11061-3762	3762
EXHAUST MANIFOLD 07-14 250/260/300/310	11061-3742	3742
<b>FITS ALL MODELS</b>		
VALVE COVER	11061-0090	0090
OIL PAN	11061-3710	3710 PF4N
OIL PAN	11061-3710	3710 GRN

No. 3721 OEM. 11004-3721	No. 3723 OEM. 11004-3723	No. 3708 OEM. 11061-3708	No. 3716 OEM. 11061-3716	No. 3713 OEM. 11061-3713
				
Head Gasket	Head Gasket	Base	INTAKE MANIFOLD	EXHAUST MANIFOLD

No. 3762 OEM. 11061-3762	No. 3714 OEM. 11061-3714	No. 3768 OEM. 11061-3768	No. 3760 OEM. 11061-3760	No. 0812 OEM. 11061-0812
				
EXHAUST PIPE	EXHAUST PIPE	MUFFLER ULTRA 300X	MUFFLER 250/260	OUTPUT COVER

No. 0090 OEM. 11061-0090	No. 3763 OEM. 11061-3763	No. 3742 OEM. 11061-3742	No. 3764 OEM. 11061-3764	No. 3710 OEM. 11061-3710
				
VALVE COVER	COMPRESSOR	EXHAUST MANIFOLD	COMPRESSOR	OIL PAN



