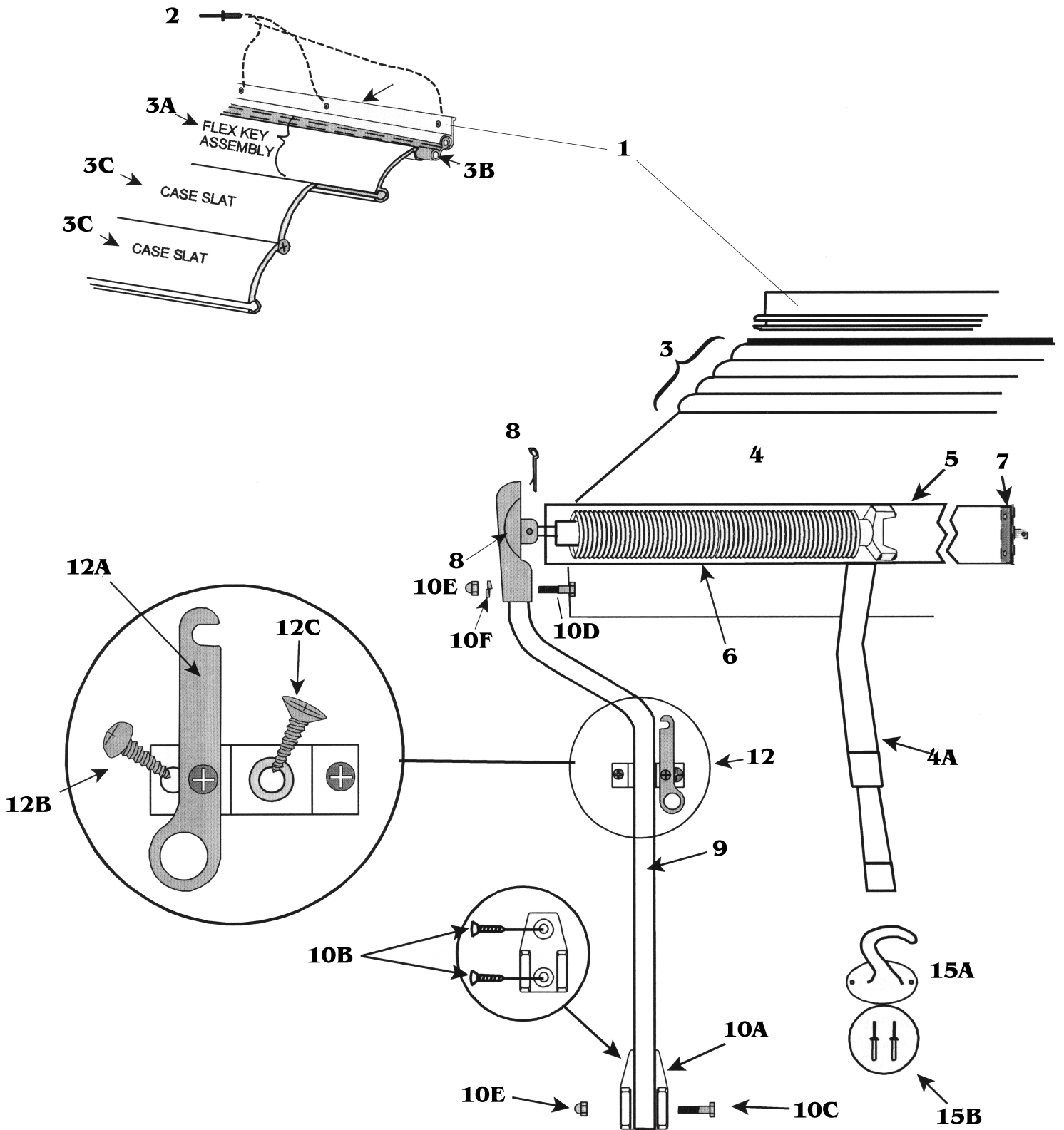


# Slideout Awning Parts



Ref #	PART #	SLIDEOUT AWNING ... all years
1	343240	AWNING RAIL (per ft.)
2	316150	RIVET, 5/32, BLIND (rail)
3	205240	BRIGHT COMPLETE CASE - 8 Slope (3 Slat, Flex Key, per ft.)
3	705240	SATIN COMPLETE CASE - 8 Slope (3 Slat, Flex Key, per ft.)
3A	207240	BRIGHT FLEXKEY ASSEMBLY, STANDARD (per ft.)
3A	707240	SATIN FLEXKEY ASSEMBLY, STANDARD (per ft.)
3B	207241	STANDARD FLEXKEY ONLY (per ft.)
3C	340240	BRIGHT SINGLE CASE SLAT (per ft.)
3C	341240	SATIN SINGLE CASE SLAT (per ft.)
4	229240	FINISHED SLIDEOUT FABRIC (per ft.) (Note: specify slope code)
4A	226910	REPLACEMENT PULL FOR SLIDEOUT AWNING (Note: specify slope code)
5	331240	ROLLER TUBE, 2-1/2" (5'6"-22") (per ft.)
6	221210	SPRING ASSEMBLY, FOR SLIDEOUT, 30"
7	221500	2-1/2" IDLE END ASSEMBLY
8	210430	HEAD CASTING WITH COTTER PIN
9	231304	BRIGHT SLIDEOUT 4" OFFSET ARMS, ( 2 bend )
9	731304	SATIN SLIDEOUT 4" OFFSET ARMS, ( 2 bend )
NS	291423	XLII MOUNTING PLATE, WITH HINGE CASTING
NS	291433	XLII MOUNTING PLATE, WITH STANDOFF ASSEMBLY
	299301	<b>MOUNTING KIT, CURRENT, includes:</b>
10A	210065	(2) HINGE CASTING, VERTICAL
10B	317052	(4) SCREW, 14 X 1", OVAL HEAD SHEET METAL (stainless)
10C	310010	(2) BOLT, 1/4 - 20 X 1-5/8", HEX HEAD
10D	310040	(2) BOLT, 1/4 - 20 X 1-1/4", HEX HEAD
10E	311010	(4) NUT, 1/4 - 20, ACORN CAP (stainless)
10F	312010	(2) LOCKWASHER, 1/4" (stainless)
	299307	<b>ARM LOCK KIT, 1998 AND LATER (for one arm only), includes:</b>
12	255024	LOCKING STANDOFF ASSEMBLY
12A	325610	SLIDEOUT LATCH (stainless)
12B	317051	SCREW, 14 X 3/4", PAN HEAD SHEET METAL (stainless)
12C	317042	SCREW, 14 X 1-1/2, FLAT HEAD SHEET METAL (stainless)
NS	321418	(2) PAD, NEOPRENE, 1/8" X 3/4" X 1", SELF-ADHESIVE
	299330	<b>HOLD DOWN HOOK KIT, includes:</b>
15A	210440	HOOK CASTING
15B	316010	(2) RIVET, 3/16 X 3/4" OLYMPIC
		<b>COMPLETE SET OF HARDWARE,</b> (INCLUDES ITEMS 8(2), 9(2), 10(1) & 15(1) ABOVE)
	230304-XXX	BRIGHT SLIDEOUT HARDWARE
	730304-XXX	SATIN SLIDEOUT HARDWARE

(XXX) - YEAR, MAKE, MODEL OF COACH REQUIRED

