



DOMETIC CORPORATION
 1120 North Main Street, Elkhart, IN 46514
 Please Visit: WWW.DOMETIC.COM



LITERATURE NUMBER MPD 93756

**L.P. GAS
 WATER HEATER**

4 - 6 - 10 GALLON

ENGLISH, FRANCAIS (et Canada)

This water heater design has been certified by the Canadian Standards Association for installation in recreation vehicles. **This water heater is not for use in marine applications.**

SERVICE CALLS & QUESTIONS

Location and phone numbers of qualified Service Centers can be found at our website <http://www.dometic.com>.

SAFETY ALERT SYMBOLS
 Safety Symbols alerting you to potential personal safety hazards. Obey all safety messages following these symbols.

WARNING
 avoid possible injury or death

CAUTION
 avoid possible injury and/or property damage

Installation and service must be performed by a qualified Service Technician, Service Center, OEM or Gas Supplier.

**WARNING
 FIRE OR EXPLOSION**

• If the information in this manual is not followed exactly, a fire or explosion may result causing property damage, personal injury or loss of life.

► Do not store or use gasoline or other flammable vapors and liquids in the vicinity of this or any other appliance.

WHAT TO DO IF YOU SMELL GAS

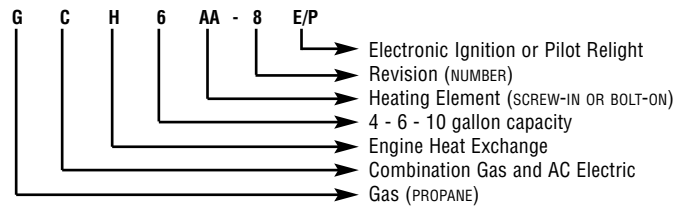
- Evacuate ALL persons from vehicle.
- Shut off gas supply at gas container or source.
- DO NOT touch any electrical switch, or use any phone or radio in vehicle.
- DO NOT start vehicle's engine or electric generator.
- Contact nearest gas supplier or qualified Service Technician for repairs.
- If you cannot reach a gas supplier or qualified Service Technician, contact the nearest fire department.
- DO NOT turn on gas supply until gas leak(s) has been repaired.

•Installation •Operation •Maintenance

Revision A, 10/11/18

WATER HEATER MODEL IDENTIFICATION1
DIMENSIONS1
WEIGHT1
SAFETY INFORMATION2-4
 Water Heater **GENERAL INSTALLATION**2-3
 Electronic Ignition wiring installation
 Pilot Relight wiring installation
 Heat Exchanger
 Combination Gas/Electric
 Water Heater **PILOT OPERATION**3-4
 Electronic Ignition
 Pilot Relight
 Combination Gas/Electric
 Water Heater **MAINTENANCE**4-5
 Electronic Ignition
 Electric
FIGURES 1-116
WIRING DIAGRAMS7
PART IDENTIFICATION8-9
 Water Heater **WARRANTY**16

EXPLANATION OF MODEL NUMBER (EXAMPLE)



- IF YOUR MODEL NUMBER IS NOT LISTED -
 Older revision numbers may be 3, 4, 6, 7, 8 or 9 (_ _ _ _ _ X _)

Regardless of your revision number the current instructions are still generally applicable to your unit. If you have questions contact your dealer, an Dometic Service Center or the Dometic Service Department.

MODEL NUMBER CLARIFICATION					
TYPE	4 GAL	6 GAL		10 GAL	
Pilot Ignition	G4-7	G6A-7	GC6AA-8P	G10-2	GC10A-2
		GC6AA-8	GH6-7	G10-2P	GC10A-2P
Electronic Ignition		G6A-8E	GCH6A-9E	G10-3E	GCH10A-3E
		GC6AA-9E	GH6-8E	GC10A-3E	GH10-3E
Pilot Relight	P IN MODEL # - SEE MODEL CLARIFICATION ABOVE				
Heat Exchanger	H IN MODEL # - SEE MODEL CLARIFICATION ABOVE				
Electronic Ignition	E IN MODEL # - SEE MODEL CLARIFICATION ABOVE				
Combination Gas/Electric	C IN MODEL # - SEE MODEL CLARIFICATION ABOVE				
DIMENSIONS				SHIPPING WT.	
ALL MODEL	WIDTH	HEIGHT			
6 GALLON	16"	12.5"		6 GALLON	25 lbs
10 GALLON	16"	15.5"		10 GALLON	32 lbs



CRITICAL INSTALLATION WARNINGS

- Install in recreation vehicles only. RV's are recreation vehicles designed as temporary living quarters for recreation, camping, or travel use having their own power or towed by another vehicle.
- All combustion air must be supplied from outside the RV, and all products of combustion must be vented to outside the RV.
- DO NOT vent water heater with venting system serving another appliance.
- DO NOT vent water heater to an outside enclosed porch area.
- Protect building materials from flue gas exhaust.
- Install water heater on an exterior wall, with access door opening to outdoors.
- DO NOT modify water heater in any way.
- DO NOT alter water heater for a positive grounding system.
- DO NOT HI-POT water heater unless electronic ignition system (circuit board) has been disconnected.
- DO NOT use battery charger to supply power to water heater even when testing.

USA AND CANADA - FOLLOW ALL APPLICABLE STATE AND LOCAL CODES - IN THE ABSENCE OF LOCAL CODES OR REGULATIONS, REFER TO CURRENT STANDARDS OF:

- Recreation Vehicles ANSI/NFPA 1192.
- National Fuel Gas Code ANSI Z223.1 and/or CAN/CGA B149 Installation Codes
- Federal Mobile Home Construction & Safety Standard, Title 24 CFR, part 3280, or when this Standard is not applicable, the Standard for Manufactured Home Installations (Manufactured Home Sites, Communities and Set-Ups), ANSI A255.1 and/or CAN/CSA-Z240 MH Series, Mobile Homes.
- National Electrical Code ANSI/NFPA No. 70 and/or CSA C22.1
- Park Trailers A119.5
- CSA standard Z240 RV Series, Recreational Vehicle.

GENERAL INSTALLATION

Below is the most common type of installation for the water heater. However, there are other approved methods such as baggage compartment (refer to MPD 90093) and flush mounting installations (refer to MPD 93948). Consult your Field Auditor, Account Manager, or the Dometic Service Department if you have additional questions.

1. Locate water heater on floor of coach before erecting side walls. The water heater tank must be permanently supported at the same level as the bottom of sidewall cutout (by the floor or a raised floor).
2. To install water heater on carpeting, you must install appliance on a metal or wood panel that extends at least three inches beyond the full width and depth of appliance.
3. If water heater is installed where leakage of connections or tank will damage adjacent area, install a drain pan which can be drained to out side of coach, under water heater.
4. Connect both 1/2" NPT water lines - hot water outlet female (FIG 1-A) and cold water inlet female (FIG 1-B) and 3/8" flared LP gas lines (FIG 1-C).
 - a. Allow flexibility in water and gas lines so you can pull unit forward through wall one inch past skin (FIG 2).
 - b. Seal gas line entrance opening by sliding grommet (FIG 1-D) onto 3/8" tubing (FIG 1-F) before flaring tubing (FIG 1-F). Pull gas line and grommet through opening in housing (FIG 1-C). Connect flare fitting (FIG 1-E) and press grommet into opening. If gas line tubing is already flared, cut grommet on one side. Place split grommet over gas line and press it into opening.
 - c. Always use pipe lubricant on threads when connecting hot and cold water couplings. A suitable plastic fitting is recommended.



CAUTION PRODUCT DAMAGE

- Do not lift, pull or push main burner tube (FIG 9-C).

5. Erect side walls and cut opening. See chart and FIG 2-A & B. Frame with 2x2 lumber (or equivalent).

CUTOUT

CAPACITY	CUT OUT DIMENSION		DEPTH
Gallon	A	B	C
4 - 6	12-5/8"	16-1/4"	17-5/8"
10	15-3/4"	16-1/4"	20-5/8"

MINIMUM CLEARANCE FROM COMBUSTIBLE CONSTRUCTION

Sides:	0"	Top:	0"
Back:	0"	Bottom:	0"

6. Bend all flanges 90° along scored lines (FIG 3).
 7. To prevent water leaks caulk thoroughly around opening, including bend slots (FIG 3-A). Butyl Tape (1"x1/8") may be substituted for caulking material.
 8. Push unit against caulking, secure 4-corner brackets FIG 4-A to coach with No.8 - 3/4" round head screws (not furnished) or equivalent. Complete the installation by inserting the same type of #8 screws in the holes provided around the flange of the water heater housing. **Check all gaskets, they must adhere to the pan creating an air tight seal.**
 9. Attach access door (FIG 5).
 - a. Snap hinge pin (FIG 5-A) into clip (FIG 5-B).
 - b. Slide cover (FIG 5-C) onto hinge pin.
 - c. Slide hinge pin into cover, snapping into clip at same time (FIG 5-D).
- NOTE: To remove hinge pin, support access cover and apply force to corner of hinge pin as shown FIG 5-E.
10. Disconnect unit and its individual shut-off valve from gas supply line during any pressure testing of system in excess of 1/2 PSIG (3.4 kPa, 14" water column [W.C.]). DO NOT set inlet pressure higher than maximum indicated on rating plate of gas valve (13" W.C.). Isolate unit from gas supply line by closing its individual manual shutoff valve during any pressure testing ≤ 1/2 psig.



WARNING FIRE AND/OR EXPLOSION

- DO NOT use matches, candles or other sources of ignition when checking for gas leaks.

11. Turn on gas and check water heater and all connections for gas leaks with leak detecting solution.
12. Fill water heater tank, check all connections for water leaks (FIG 1-A & B).

PRESSURE-TEMPERATURE RELIEF VALVE - (FIG 10)



WARNING SCALDING INJURY

- Valve is not serviceable, it must be replaced.
- Tampering with valve will result in scalding injury.
- Tampering with valve will void warranty.



WARNING EXPLOSION

- DO NOT place a valve, plug or reducing coupling on outlet part of pressure temperature relief valve.

THIS VALVE IS A SAFETY COMPONENT AND MUST NOT BE REMOVED FOR ANY REASON OTHER THAN REPLACEMENT. This water heater is equipped with a temperature and pressure relief valve that complies with standard for Relief Valves and Automatic Gas Shutoff Devices for Hot Water Systems, ANSI Z21.22.

If you use a discharge line, do not use a reducing coupling or other restriction smaller than outlet of relief valve. Allow complete drainage of both valve and line.

FOR REPLACEMENT PARTS:

- DO NOT install anything less than a combination temperature-pressure relief valve certified by a nationally recognized testing laboratory that maintains periodic inspection of product of listed equipment or materials, as meeting requirements for Relief Valves and Automatic Gas Shutoff Devices for Hot Water Supply Systems, ANSI Z21.22. Valve must have a maximum set pressure not to exceed 150 psi.
- Install valve into opening provided and marked for this purpose on water heater.
- Installation must conform with local codes or in the absence of local codes, American National Standard for Recreational Vehicles, ANSI A119.2/NFPA 501C.

- For an external electrical source, ground this unit in accordance with National Electrical Code ANSI/NFPA70.

Your Dometic gas water heater is now ready for operation. Continue to **HOW TO OPERATE YOUR WATER HEATER**.

Electronic Ignition continue to **Electronic Ignition WIRING INSTRUCTIONS**.
Pilot Relight continue to **Pilot Relight WIRING INSTRUCTIONS**.

For HEAT EXCHANGE continue —

1. Push 5/8" dia. 2 or 3 coolant system hose with SAE 053 A Type "E" clamp attached (FIG 6-E) onto heat exchange tube as far as possible (FIG 6-B).
2. Spread hose clamp and slide toward heat exchange unit past annular groove (FIG 6-C) and release.
3. Continue to **HOW TO OPERATE YOUR WATER HEATER** and/or **Electronic Ignition OPERATION**.

For COMBINATION GAS/ELECTRIC MODELS continue —

This water heater is designed to operate with gas, electricity, or a combination of both.

Provide adequate clearance at rear of unit for service of water connections and operation of manually re-settable high temperature limit switch on combination gas/electric units.

1. Follow **GENERAL INSTALLATION** instructions.

NOTE: All wiring must comply with applicable electrical codes.

**⚠ CAUTION
 PRODUCT DAMAGE**

- When using Romex® with a bare earth ground, take care to position ground wire so it does not contact the heating element terminals.
 - Use electrical metallic tubing, flexible metal conduit, metal clad cable, or nonmetallic-sheathed cable with grounding conductor. Wire must have a capacity of 1500 watts or greater. The wiring method must conform to applicable sections of article 551 of National Electrical Code ANSI/NFPA 70.
2. Refer to Wiring Diagram. Make 120 VAC electrical connections from junction box on back of unit.
 - a. Connect hot lead to (1) Black.
 - b. Connect common lead to (2) White.
 - c. Connect ground wire from electrical service to (3) green ground lead in junction box
 3. Place switch in "OFF" position.
- When a cord and plug connection to the power supply are used on water heater, power cord must be UL listed as suitable for damp locations, hard or extra hard usage. It must be a flexible cord such as type S, SO, ST, STO, SJ, SJT, SJTO, HS or HSO cord as described in National Electrical Code, ANSI/NFPA 70. The length of external cord to water heater, measured to face of attachment plug, shall be no less than 2 feet nor more than 6 feet. Supply cord must be a minimum of 14 AWG and attachment plug must be rated at 15 amps.

**⚠ CAUTION
 ELECTRICAL DAMAGE**

- Label all wires before disconnecting when servicing controls.
- Verify proper operation after servicing.

Operation using gas continue to **HOW TO OPERATE YOUR WATER HEATER**, electrically continue to **COMBINATION Gas/Electric OPERATION**.

ELECTRONIC IGNITION - WIRING INSTRUCTIONS

1. Install unit according to **GENERAL INSTALLATION** instructions.
- NOTE: It is recommended unit be connected directly to a 12V DC battery or to filtered side of an AC/DC converter. Avoid connections to unfiltered side of an AC/DC converter whenever possible. Use a minimum of 18 gauge wire, UL and CSA listed.
- Refer to **WIRING DIAGRAM**. Install remote switch in a convenient location. Position wall plate with letters up. Before making connections turn switch **OFF**. The switch is off when the button is depressed towards terminal see wiring diagram.

2. Installing wires:
 - a. blue lead to switch terminal (6) on indicator light of switch
 - b. terminal (4) on indicator light of switch to negative battery terminal
 - c. green lead to negative battery terminal
 - d. brown lead on water heater to terminal (3) on switch
 - e. terminal 2 on switch to positive battery terminal.
3. Read **ELECTRONIC IGNITION OPERATION**.

PILOT RELIGHT - WIRING INSTRUCTION

1. Install unit according to **GENERAL INSTALLATION** instructions.
2. Refer to Wiring Diagram. Use 18 gauge wire, UL/CSA listed.
3. Read **PILOT & PILOT RELIGHT OPERATIONS**.

CONSUMER SAFETY WARNINGS

**⚠ WARNING
 EXPLOSION OR FIRE**

- DO NOT store or use gasoline or other flammable vapors and liquids in the vicinity of this or any other appliance.
- Should overheating occur, or gas supply fail to shut off, turn **OFF** manual gas control valve to appliance, or turn gas **OFF** at the LP tank. On **ELECTRONIC IGNITION MODEL** turn operating switch to **OFF** position and remove red wire from left hand terminal of ECO switch or turn gas **OFF** at the LP tank.
- Use with LP gas only.
- Shut off gas appliances and pilot lights when refueling.
- On **PILOT RELIGHT MODELS**, turn off the ignition module when refueling gasoline tanks or LP tanks.
- Turn gas **OFF** at the LP tank when vehicle is in motion. This disables all gas appliances and pilot lights. Gas appliances must never be operated while vehicle is in motion. Unpredictable wind currents may be created which could cause flame reversal in the burner tube, which could result in fire damage. The thermal cut off fuse could also be unnecessarily activated resulting in a complete shutdown of the water heater requiring replacement of the thermal cut off. See maintenance of electronic ignition water heaters for further explanation of the thermal cut off.
- LP tanks must be filled by a qualified gas supplier only.

HOW TO OPERATE YOUR WATER HEATER

**⚠ CAUTION
 FIRE**

- Do not smoke or have any flame near an open faucet.

If water heater has not been used for more than two weeks, hydrogen gas may form in water line. Under these conditions to reduce the risk of injury, open hot water faucet for several minutes at kitchen sink before you use any electrical appliance connected to hot water system.

If hydrogen gas is present, you will probably hear sounds like air escaping through the pipe as water begins to flow.

**⚠ WARNING
 SCALDING INJURY**

- Do not tamper with pilot orifice.

**⚠ CAUTION
 PRODUCT FAILURE**

- Do not operate without water in tank.

PILOT OPERATION

1. Turn gas control valve knob (FIG 7-B or FIG 8-B) to **OFF** position.
2. Wait at least five minutes to allow accumulated gas in burner compartment to escape.
3. Water heater may be equipped with a White Rodgers® or Robertshaw Unitrol® Control.

FOR WHITE RODGERS® CONTROL (FIG 7)

- a. Turn lighting control knob (FIG 7-B) to **PILOT** position and hold against stop while lighting pilot burner (FIG 9-D).
- b. Allow pilot to burn 30 seconds then release lighting control knob.
- c. Turn lighting control knob (FIG 7-B) to **ON** position.
- d. If pilot does not remain lit, repeat operation allowing longer period before releasing lighting control knob.
- e. Set temperature selection lever (FIG 7-A) at mark between warm and hot position.
- f. Close access door.

FOR A ROBERTSHAW UNITROL® (FIG 8)

- a. Turn lighting control dial (FIG 8-B) to **PILOT** position.
- b. Depress and hold reset push button (FIG 8-A) while lighting pilot burner (FIG 9-D).
- c. Allow pilot to burn 30 seconds before releasing reset push button.
- d. If pilot does not remain lit, repeat operation allowing longer period before releasing reset push button.
- e. Turn lighting control dial (FIG 8-B) to **ON** position.
- f. Set temperature control dial (FIG 8-C) at mid-point position between warm and hot.
- g. Close access door.

- 4. For complete shut down and before servicing, turn gas control knob (FIG 7-B or FIG 8-B) to **OFF** position. When water heater is not in use set temperature control lever (White Rogers®) or dial (Robertshaw®) to lowest possible position.

 WARNING SCALDING INJURY
<ul style="list-style-type: none"> • Setting temperature control dial at a higher position will produce excessively hot water.

The temperature knob or lever is factory adjusted to its lowest dial setting. We recommended the mid-point position between warm and hot, as noted above. This will provide for energy efficient operation and sufficient hot water. Valves for reducing point of use temperature by mixing cold and hot water are available. Consult a licensed plumber or local plumbing authority.

- 5. To Adjust Main Burner (FIG 9):
 - a. Loosen air shutter screw (FIG 9-A).
 - b. Slide air shutter (FIG 9-B) to right until some yellow appears in main burner flame.
 - c. Move air shutter (FIG 9-B) to left until yellow disappears.
 - d. Retighten air shutter screw (FIG 9-A).

Read **MAINTENANCE AND CARE INSTRUCTIONS**

ELECTRONIC IGNITION OPERATION

- 1. Refer to **WIRING DIAGRAM**. Place remote switch in **ON** position.
- 2. If remote switch light stays on longer than 15 seconds, place remote switch in **OFF** position and wait 5 minutes.
- 3. Repeat step one.
- 4. For complete shut-down and before servicing:
 - a. Place remote switch in **OFF** position.
 - b. Remove red wire from left hand terminal of ECO switch (ECO to valve).
- 5. If heater fails to operate due to high water temperature, a lockout condition occurs (indicator light on). After water cools, reset switch in **OFF** position for at least 30 seconds, then turn to **ON** position.
- 6. If a lockout condition persists contact an Dometic Service Center.

Read **MAINTENANCE AND CARE INSTRUCTIONS & ELECTRONIC IGNITION MAINTENANCE**

PILOT RELIGHT OPERATION

- 1. Turn the switch located on the spark module to the **ON** position.
- 2. Read **PILOT OPERATION** instructions.
- 3. For complete shut down, turn lighting control knob on thermostat and spark module switch to the **OFF** position.

Read **MAINTENANCE AND CARE INSTRUCTIONS**

COMBO gas/electric ELECTRIC OPERATION

- 1. For gas operation refer to **Pilot, Pilot Relight or Electronic Ignition OPERATION** section (as applicable).
- 2. For electrical operation use switch at the rear of water heater.
- 3. Completely fill tank with water.


- 4. Turn switch **ON** (FIG 11-B) (located at rear of water heater).
- NOTE: Turning power on to heater without water covering heating element may burn out element and void warranty.
- 5. Check for proper operation. Water temperature is set at 140°F (60° C).
 - 6. If the manual reset high temperature limit switch should operate, reset switch (FIG 11-A) by depressing with pencil or other nonmetallic object. If still experiencing problems contact an authorized Dometic Service Center or Dometic Service Department.

Read **MAINTENANCE AND CARE INSTRUCTIONS.**


MAINTENANCE AND CARE INSTRUCTIONS

SERVICE CALLS & QUESTIONS

Location and phone numbers of qualified Service Centers can be found at our website <http://www.dometic.com>.

 WARNING FIRE OR EXPLOSION
<ul style="list-style-type: none"> • Shut off gas supply at LP container before disconnecting a gas line. • Keep control compartment clean and free of gasoline, combustible material, and flammable liquids and vapors.

AFTERMARKET WATER HEATING ELEMENT DEVICES

 WARNING EXPLOSION / BURN INJURY
<ul style="list-style-type: none"> • DO NOT alter water heater, it will void warranty. • DO NOT USE Aftermarket heating elements, they can lack critical safety controls. • Use of Aftermarket heating elements can lead to an out of control heating of water tank and a catastrophic wet side explosion.

The use of any aftermarket heating element devices may also result in damage to components or water heater. Dometic's written warranty states - "failure or damage resulting from any alteration to our water heater is the owner's responsibility". Any alteration, like the addition of an aftermarket heating element device, will void the warranty.

GENERAL INFORMATION

- LP and Water system must be turned on.
- Have gas pressure tested periodically. Should be set at 11 inches of water column with three appliances running.
- Drain water heater at regular intervals (at least one time during the year).
- Drain water heater before storing RV for the winter or when the possibility of freezing exists.
- Keep vent and combustion air grill clear of any obstructions.
- Periodically, compare flame of main and pilot burners with FIG 9 and main burner adjustments in **HOW TO OPERATE YOUR WATER HEATER**.
- When water heater is not in use set temperature control lever (White Rogers) or dial (Robertshaw) to lowest possible position. This will reduce the effects of low outdoor temperatures on calibration of temperature control mechanism.
- Presence of soot indicates the need to adjust flue.

ELECTRONIC IGNITION MAINTENANCE

- The water heater comes factory-equipped with a fused circuit board, which will protect the circuit board from wiring shorts. If the fuse should activate, the water heater will not operate. Before replacing the fuse, check for a short external to the board. Once the short is corrected, replace the 2 amp fuse with a mini ATO style fuse. Do **not** install a fuse larger than 3 amps.
- If the fuse is good and the unit is inoperative, check for excessively high voltage to the unit (more than 14 volts).
- If the previous two steps did not solve the problem, check the thermal cut-off. The thermal cutoff is a device installed in the power supply line. This device will shut off electrical power and stop heater operation when activated. For example, if an obstruction within the flue tube should occur, such as described above in the Preventative maintenance section, the burner flame/heat may contact the cutoff, resulting in a melting of the fuse element incorporated in the thermal cutoff. In order to restore power and proper operation of the water heater, the obstruction must be removed and the thermal cutoff must be replaced.

PREVENTATIVE MAINTENANCE

Spiders, mud wasps, and other insects can build nests in burner tube. This causes poor combustion, delayed ignition or ignition outside combustion tube. Listen for a change in burner sounds or in flame appearance from a hard blue flame to a soft lazy flame or one that is very yellow. These are indications of an obstruction in burner tube (FIG 9-C). Inspect and clean on a regular basis.

- Remove air shutter screw (FIG 9-A) and slide air shutter (FIG 9-B) down burner tube.
- Run a flexible wire brush down burner tube (FIG 9-C) until it is visible at end of burner tube.
- Vacuum burner where it enters combustion tube.
- Return air shutter to original position and replace screw.
- The orifice, burner tube and shutter must be aligned so that the shutter is not binding on the air tube.**

HOW TO CLEAN PILOT MODELS

- Check main burner orifice and pilot assembly for contamination (dirt, spider webs, etc.).
- Clean main burner tube with small brush.
- Main burner adjustment - open air shutter 1/4 way.
- Low pilot flame. Check for contamination - if clean have the pilot orifice replaced.

HOW TO CLEAN ELECTRONIC IGNITION MODEL

- Check main burner orifice.
- Clean and adjust main burner.
- Main burner and valve manifold must align with each other
- Check electrode for cracked porcelain.
- Check electrode for proper gap - 1/8" between electrode and ground.
- If module board functions intermittently, remove board and clean terminal block with pencil eraser.

WATER HEATER TANK CARE

WARNING **SCALDING INJURY**

- Turn off water heater and allow time for water to cool before removing drain plug to flush tank.

WINTERIZING (FLUSHING) INSTRUCTIONS

To insure the best performance of your water heater and add to the life of the tank, periodically drain and flush the water heater tank. Before long term storage or freezing weather drain and flush the tank.

- Turn off main water supply (the pump or water supply (the pump or water hook up source)).
- Drain Water Heater Tank by removing the drain plug. If the water flows sporadically or trickles instead of a steady stream of water, we recommend the following action; first open the Pressure Temperature Relief Valve to allow air into the tank and secondly, take a small gauge wire or coat hanger and poke through the drain opening to eliminate any obstructions.
- After draining the tank, because of the placement of the Drain Plug, approximately two quarts of water will remain in the tank. This water contains most of the harmful corrosive particles. To remove these harmful corrosive particles flush the tank with either air or water. Whether using air or water pressure, it may be applied through the inlet or outlet on the rear of the tank or the Pressure Temperature Relief Valve. (If using the Pressure Temperature Relief Valve the Support Flange must be removed). The pressure will force out the remaining water and the corrosive particles.
If you use water pressure, pump fresh water into the tank with the assistance of the on-board pump or use external water for 90 seconds to allow the fresh water to agitate the stagnant water on the bottom of the tank and force deposits through the drain opening. Continue repeating adding water and draining until the particles have been cleared from the water remaining in the tank.
- Replace the Drain Plug and close the Pressure Temperature Relief Valve. The approximately two quarts of water remaining in the tank after draining will not cause damage to the tank should freezing occur.

PRESSURE-TEMPERATURE RELIEF VALVE

WARNING **EXPLOSION**

- Do not place a valve, plug or reducing coupling on outlet part of pressure-temperature relief valve.

A Pressure Temperature Relief Valve, dripping while the water heater is running, DOES NOT mean it is defective. During normal expansion of water, as it is heated in the closed water system of a recreation vehicle, the Pressure Temperature Relief Valve will sometimes drip. The Dometic water heater tank is designed with an internal air gap at the top of the tank to reduce the possibility of dripping. In time, the expanding water will absorb this air and it must be restored.

WARNING **SCALDING INJURY**

- Turn off water heater before opening pressure-temperature relief valve to establish air space. Storage water must be cool.

TO REPLACE THE AIR GAP FOLLOW THESE STEPS:

- Turn off main water supply (the pump or water hook up source).
- Let water cool or let run until cool.
- Open the hot water faucet closest to the water heater.
- Pull handle of pressure temperature relief valve straight out and allow water to flow until it stops.
- Allow pressure temperature relief valve to snap shut; close faucet; turn on water supply.
- Turn on water heater and test.
 - At least once a year manually operate pressure-temperature relief valve (FIG 10).

When pressure-temperature relief valve discharges again, repeat above procedure. For a permanent solution, we recommend one of the following:

- Install a pressure relief valve in cold water inlet line to water heater and attach a drain line from valve to outside of coach. Set to relieve at 100-125 PSI.
- Install a diaphragm-type expansion tank in cold water inlet line. Tank should be sized to allow for expansion of approximately 15 oz. of water and pre-charged to a pressure equal to water supply pressure. These devices can be obtained from a plumbing contractor or service center.

FLUSHING TO REMOVE UNPLEASANT ODOR

A rotten egg odor (hydrogen sulfide) may be produced when the electro galvanic action of the cladding material releases hydrogen from the water. If sulfur is present in the water supply the two will combine and produce an unpleasant smell.

- Turn off main water supply. Drain the water heater tank and reinstall drain plug. Remove the pressure-temperature relief valve. Mix solution of 4 parts white vinegar to two parts water. With a funnel, carefully pour solution into tank.
- Cycle water heater with the above solution, letting it run under normal operation 4-5 times.
- Remove the drain plug and thoroughly drain all water from the tank. Flush the water heater to remove any sediment. You may flush the tank with air pressure or fresh water. pressure may be applied through either the inlet or outlet valves on the rear of the tank or through the pressure-temperature relief valve coupling located on the front of the unit.

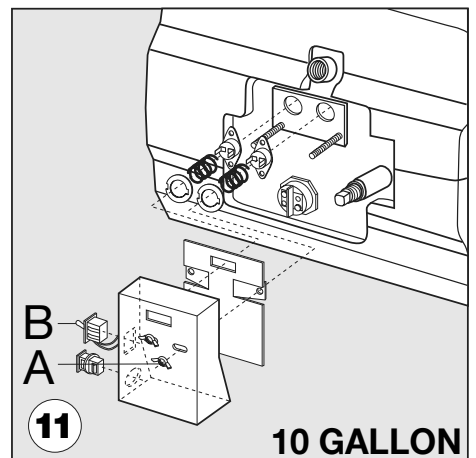
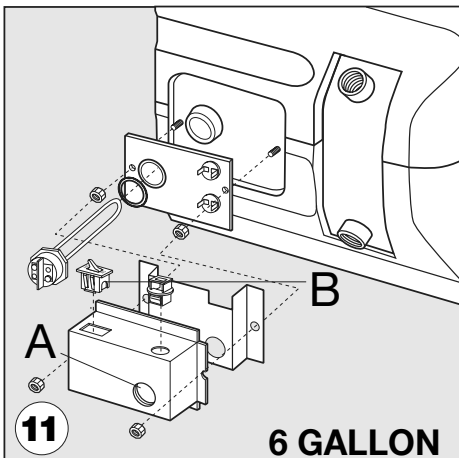
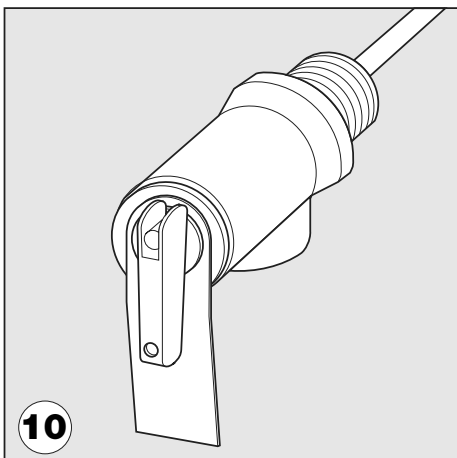
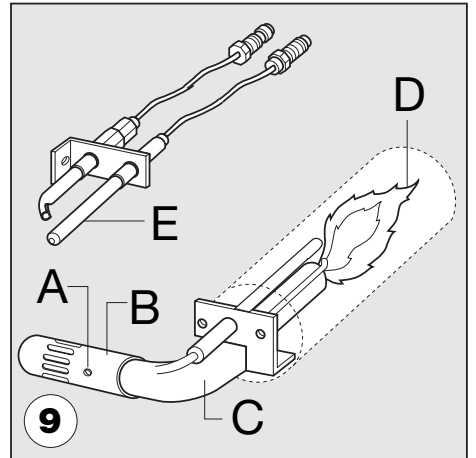
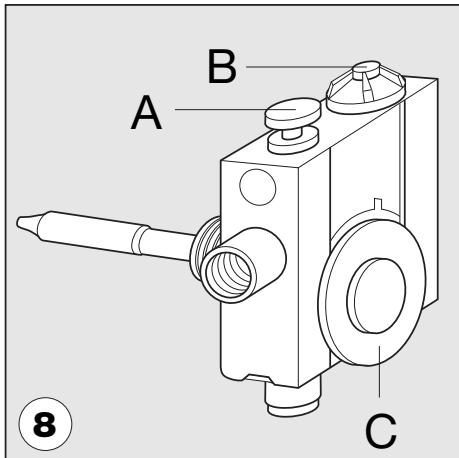
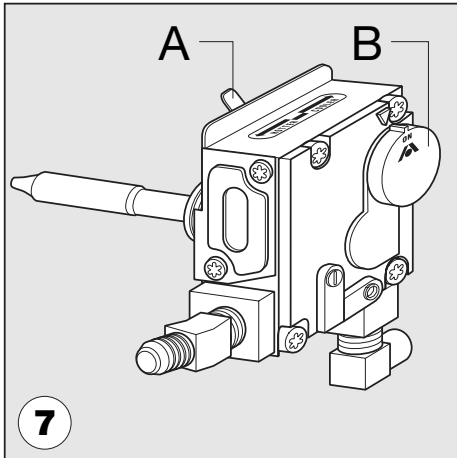
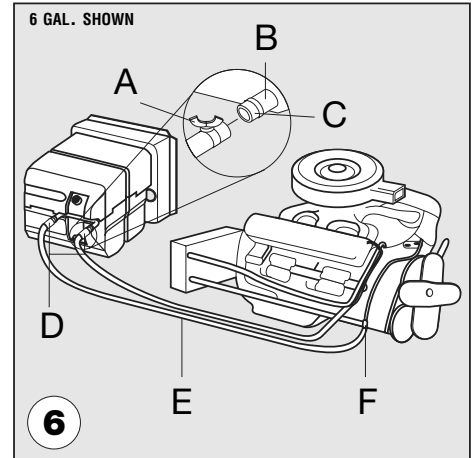
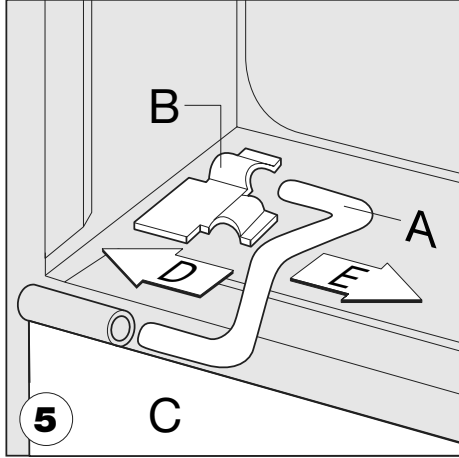
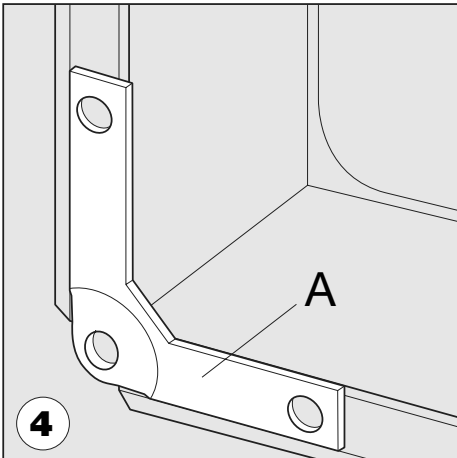
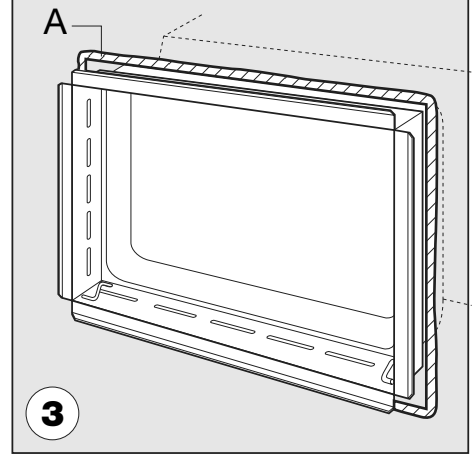
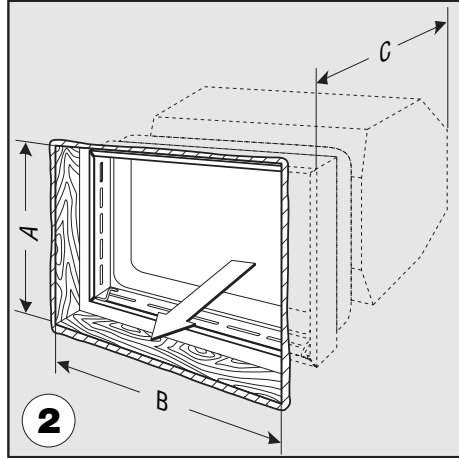
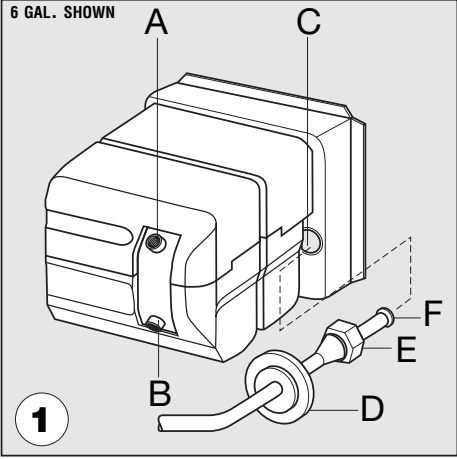
TO FLUSH TANK WITH AIR PRESSURE:

Insert your air pressure through the pressure-temperature relief valve coupling. With the drain valve open, the air pressure will force the remaining water out of the unit.

To flush tank with water pressure:

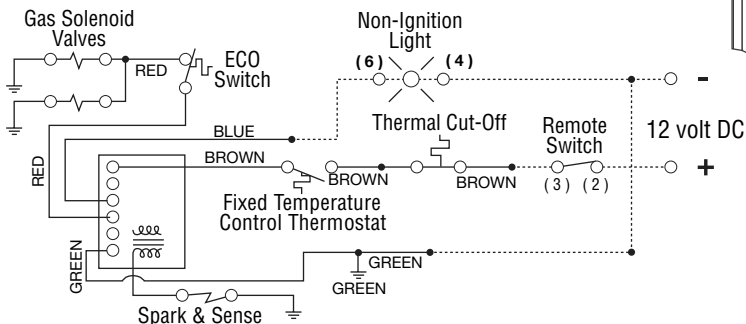
- Fresh water should be pumped into the tank with either the onboard pump or external water pressure. Continue this flushing process for approximately 5 minutes, allowing the fresh water to agitate the stagnant water on the bottom of the tank and forcing the deposits through the drain opening.
- Replace drain plug and pressure-temperature relief valve.
 - Refill tank with fresh water that contains no sulphur.

The Dometic water heater is designed for use in a recreation vehicle. If you use your vehicle frequently or for long periods of time, flushing the water heater several times a year will prolong the life of the storage tank.

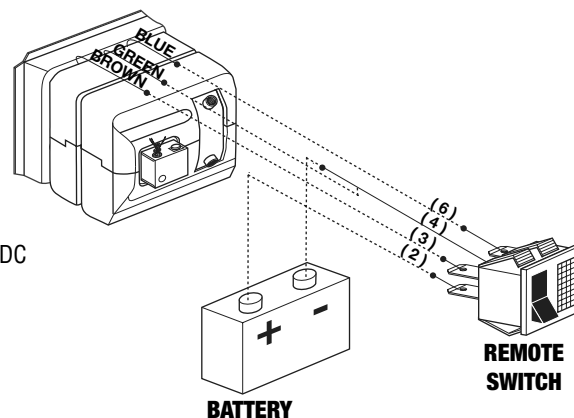


WIRING DIAGRAMS

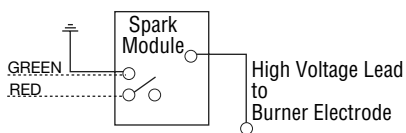
Dotted lines are wired by customer



SPARK IGNITION



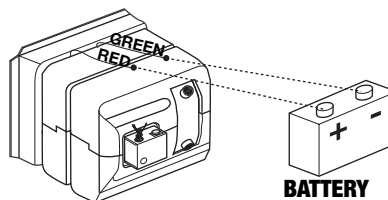
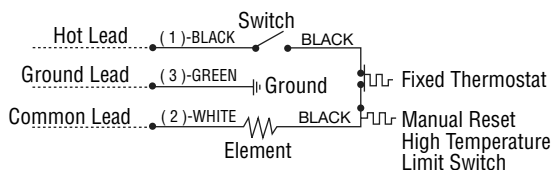
PILOT RELIGHT



CAUTION
ELECTRICAL DAMAGE

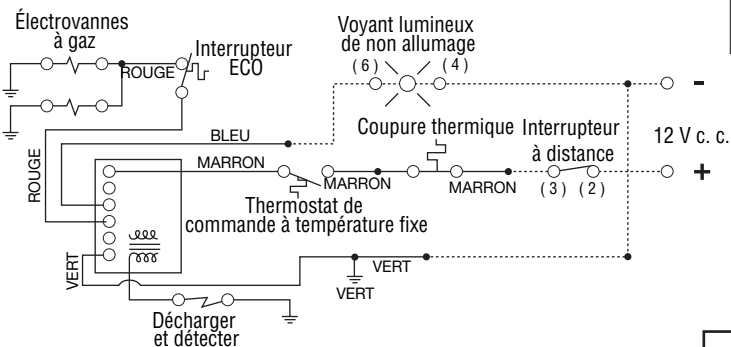
- Label all wires before disconnecting when servicing controls.
- Verify proper operation after servicing.

COMBO gas/electric

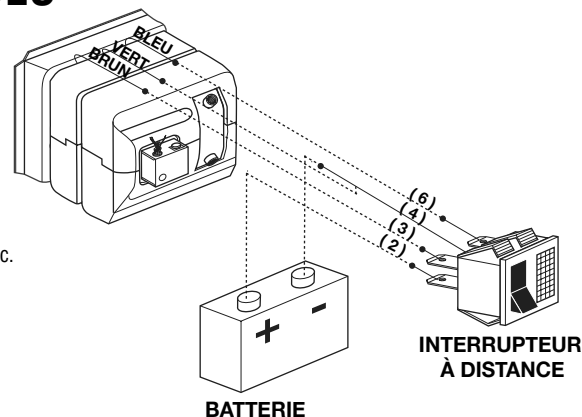


SCHÉMAS ÉLECTRIQUES

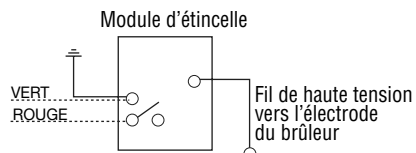
Les lignes en pointillés sont branchées par le client



ALLUMAGE ÉLECTRONIQUE



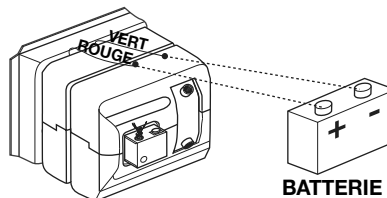
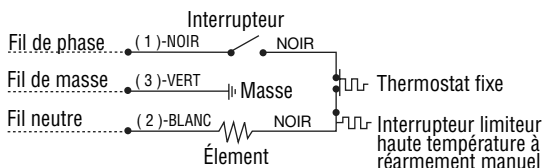
RALLUMAGE DE VEILLEUSE



ATTENTION
DOMMAGES ÉLECTRIQUES

- Lors de la réparation des commandes, étiqueter tous les fils avant de les déconnecter.
- Après toute réparation, vérifier au bon fonctionnement de l'unité.

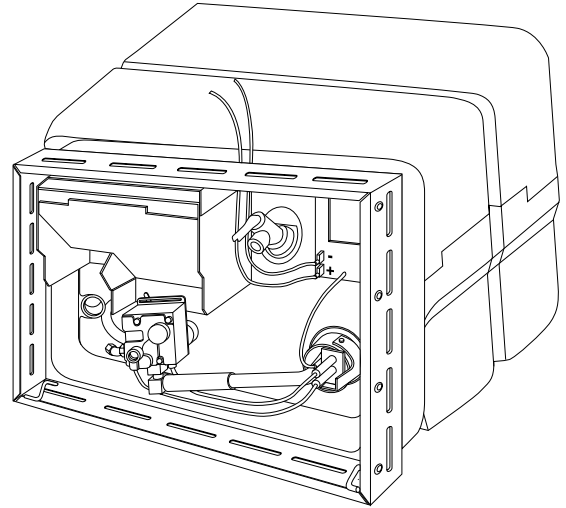
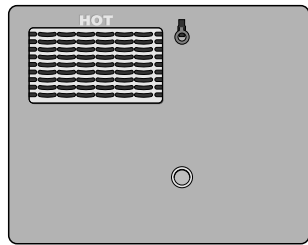
COMBINAISON gaz-électricité



PART IDENTIFICATION

IDENTIFICATION DES PIÈCES

WATER HEATER CHAUFFE-EAU
PILOT RELIGHT RALLUMAGE DE VEILLEUSE

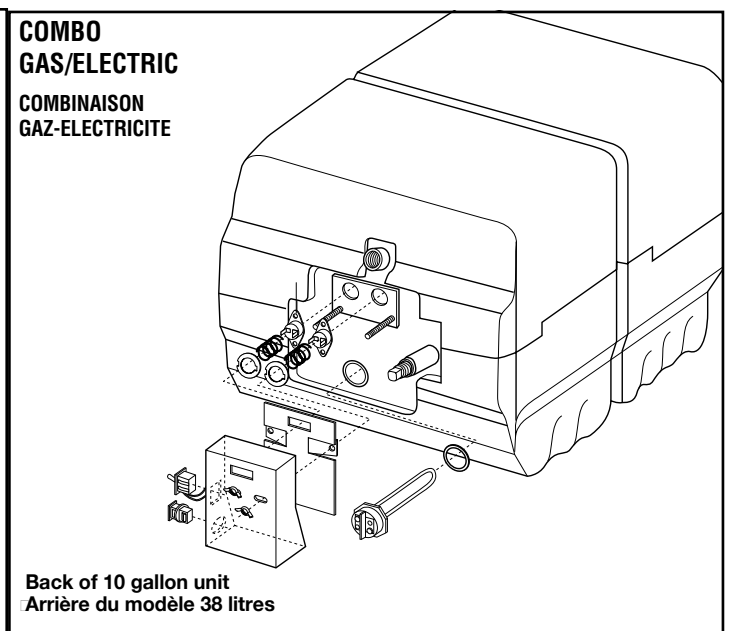
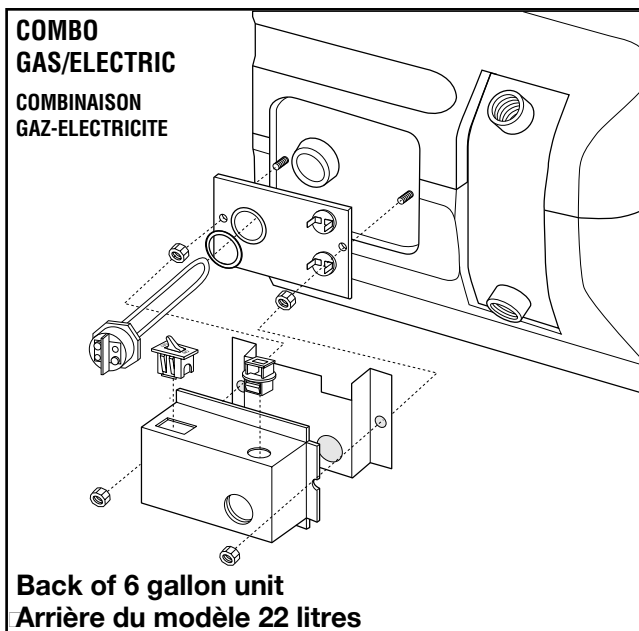


FOR IDENTIFICATION AND REPAIR PARTS GO TO:

WWW.DOMETIC.COM

CHOOSE WATER HEATER CATEGORY THEN STYLE OF WATER HEATER

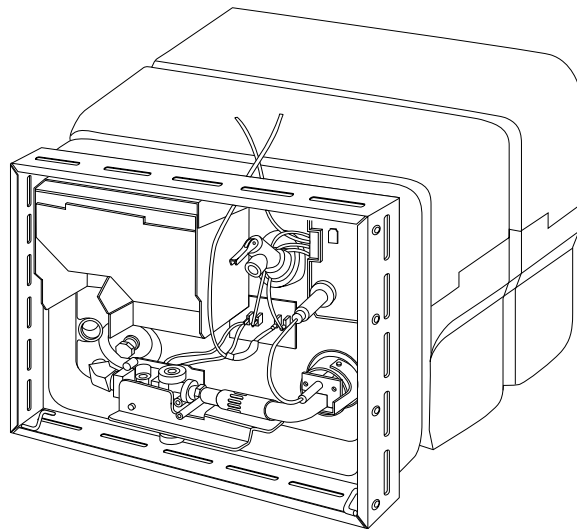
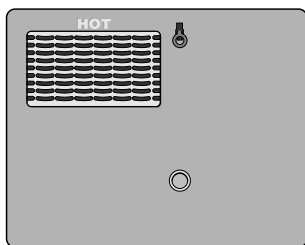
USE MODEL NUMBER LOCATED ON UNIT TO FIND PARTS



PART IDENTIFICATION

IDENTIFICATION DES PIÈCES

SPARK IGNITION ALLUMAGE PAR ÉTINCELLE



LIMITED TWO-YEAR WARRANTY

LIMITED TWO-YEAR WARRANTY AVAILABLE AT
WWW.DOMETIC.COM/WARRANTY.

IF YOU HAVE QUESTIONS OR TO OBTAIN A COPY OF THE
LIMITED WARRANTY FREE OF CHARGE, CONTACT:

DOMETIC CORPORATION
CUSTOMER SUPPORT CENTER
1120 NORTH MAIN STREET
ELKHART, INDIANA, USA 46514
+1-800-544-4881 OPT 3

GARANTIE LIMITÉE DE DEUX ANS

GARANTIE LIMITÉE DE DEUX ANS DISPONIBLE À
WWW.DOMETIC.COM/WARRANTY.

POUR TOUTE QUESTION OU POUR OBTENIR UNE COPIE
GRATUITE DE LA GARANTIE LIMITÉE, CONTACTER :

DOMETIC CORPORATION
CUSTOMER SUPPORT CENTER
1120 NORTH MAIN STREET
ELKHART, INDIANA, USA 46514
+1-800-544-4881 OPT 3