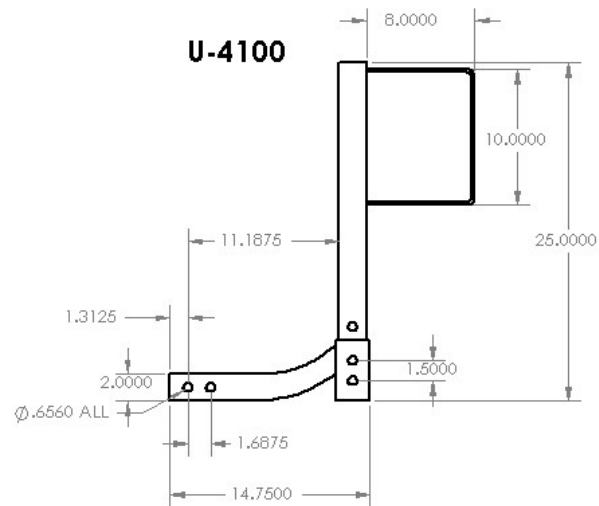


Hornet Outdoors manufactures a number of different sizes, styles, and capacities of Receiver Hitch Spare Tire Mounts for ATV's, UT-V's and the Auto, Truck, RV Market.

All Hornet Hitch Spare Tire carriers feature a 2 piece design, making it a simple task to remove the wheel/tire if you need to access that bed of your vehicle, or you simple don't want to haul a spare tire for that particular trip.

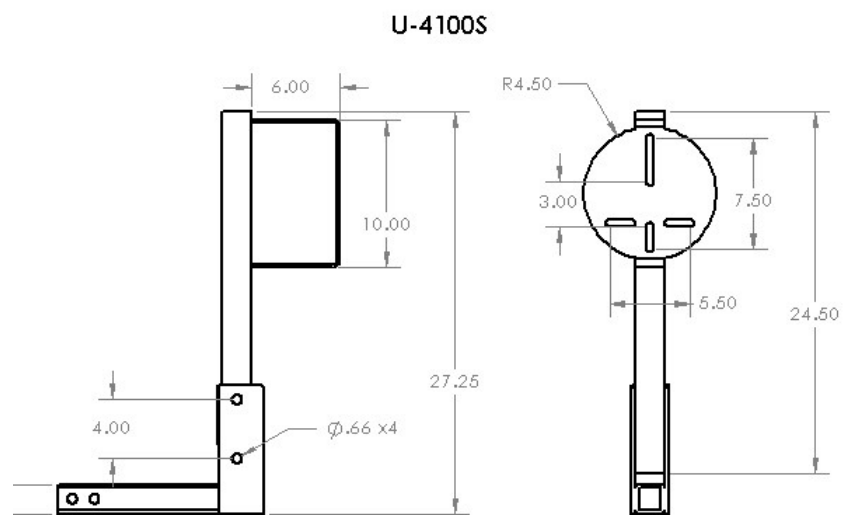
The Hornet U-4100 is a hitch designed for autos, trucks, and RV's where you require a heavy duty mount. This hitch is rated to carry a spare up to 100 lbs.

If you'd like to go directly to this product on the web site [click here](#).



The Hornet U-4100 S is a Fold Down hitch designed for autos, trucks, and RV's where you require a heavy duty mount and features the convenience of easy access to your tailgate or rear compartment. This hitch is rated to carry a spare up to 100 lbs.

If you'd like to go directly to this product on the web site [click here](#).



The Hornet U-4800 is for autos, trucks, and RV's where you require an extended wheel mount. This hitch is rated to carry a spare up to 100 lbs.

If you'd like to go directly to this product on the web site [click here](#).

