



Photo Courtesy of Millennium Luxury Coach Co.

Century Lateral Arm Awning

ADJUSTMENTS AND REPAIRS

Revised September 2008

FOR USE WITH NICE MOTORS ONLY

96 Crossen Avenue, Elk Grove Village, IL 60007
Ph: (800) 338-2378 or (847) 437-0980 Fax: (847) 437-7064

Adjustment of Arms not Running Parallel to one Another

- Roll out awning all the way.
- Retract awning and take care that the arms are bending uniformly.
- If needed, loosen fabric locks, located in the channel of the front cover on both ends of the awning and push one of the two arms inwardly and pull the other arm outwardly until both are in the same position (Fig1).
- Tighten fabric locks.

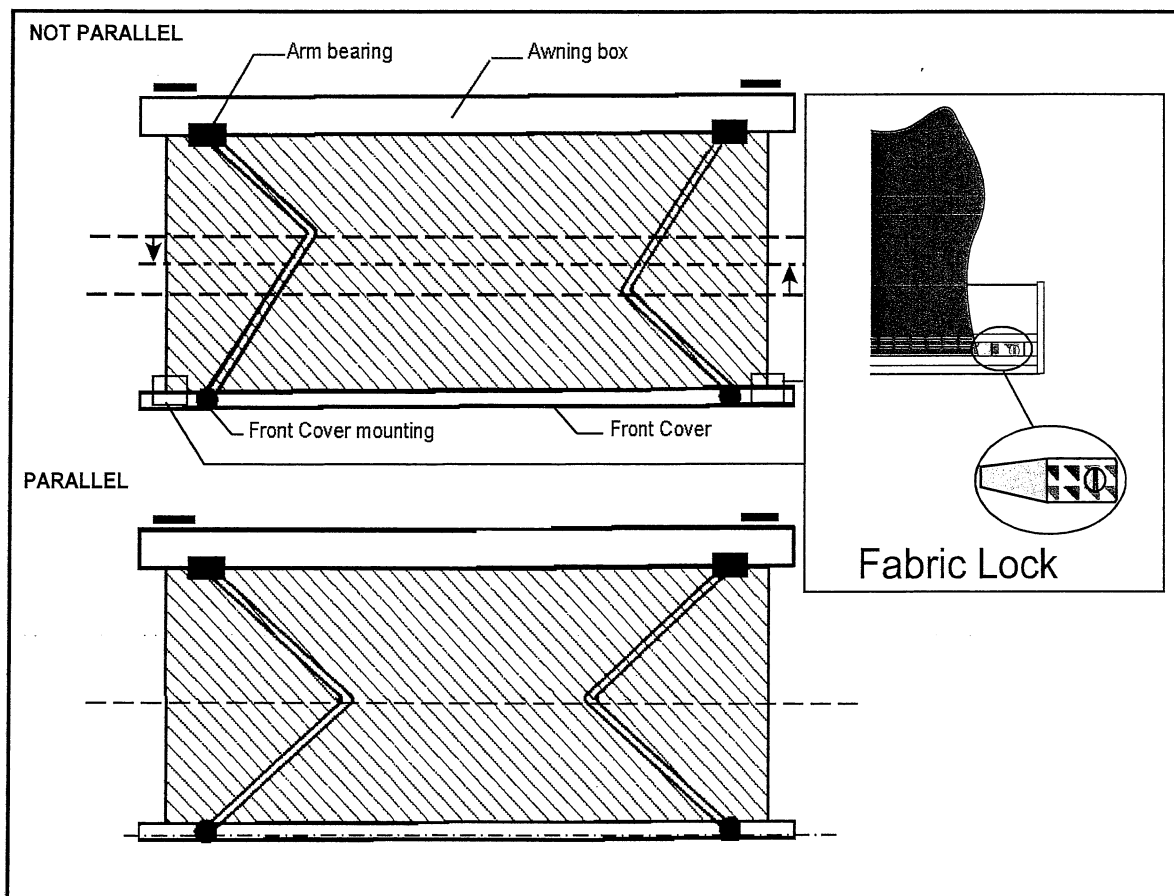


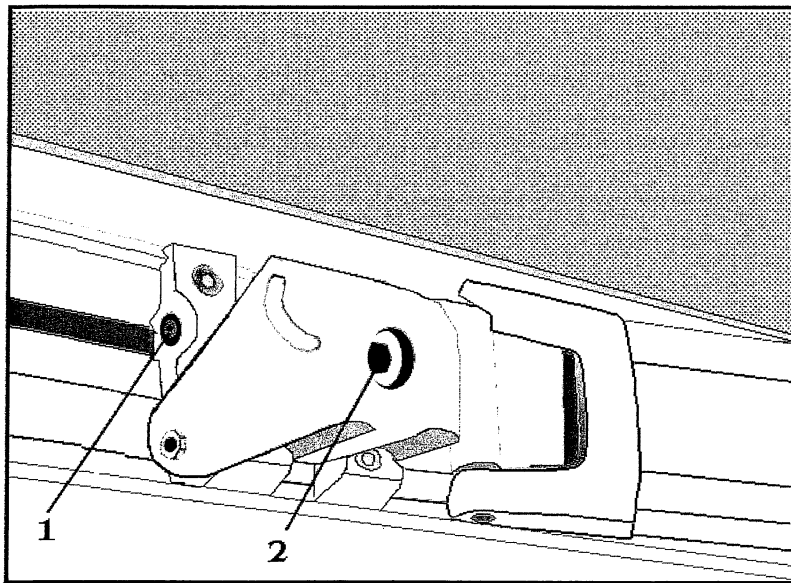
Fig. 1

- Retract awning all the way and check whether the Front Cover closes properly.

Note: If the above procedures do not remedy the problem (e.g. extreme displacement of the joints), try to adjust according to "Adjustment of Tensions in the Front Cover".

Adjustment and Change of Pitch

- Extend awning fully open.
- Loosen the set-screw 1 with a 4mm Allen hex key.
- Take the load off of the adjusting element, carefully lift the articulated arm or front bar of the awning until the round screw 2 can be turned easily.
- Turning the screw to the left (counter-clockwise) increases the pitch (the articulated arm moves downward). Turning to the right (clockwise) reduces the pitch.



1. Pitch Adjustment Set Screw
(4 mm)

2. Pitch Adjustment Screw
(8 mm)

Note: In order to avoid damage to the Front Cover mounting, the difference of the Pitch between the articulated arms shall not be larger than 10°.

- Repeat the adjustment procedure on the other articulated arm.
- Upon repeated adjustments made, tighten the set screw 1.

Tension in Cover causes bow

Extend awning until screws 1 on the connector that attaches rafter arms to the front cover can be accessed (Fig 3).

- Loosen screws 1.
- Retract awning (down to approx. 12 in.)
- Move Front Cover mounting slightly towards the appropriate direction.

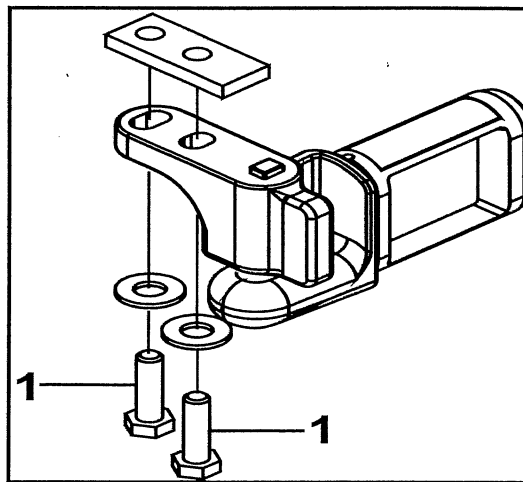


Fig 3

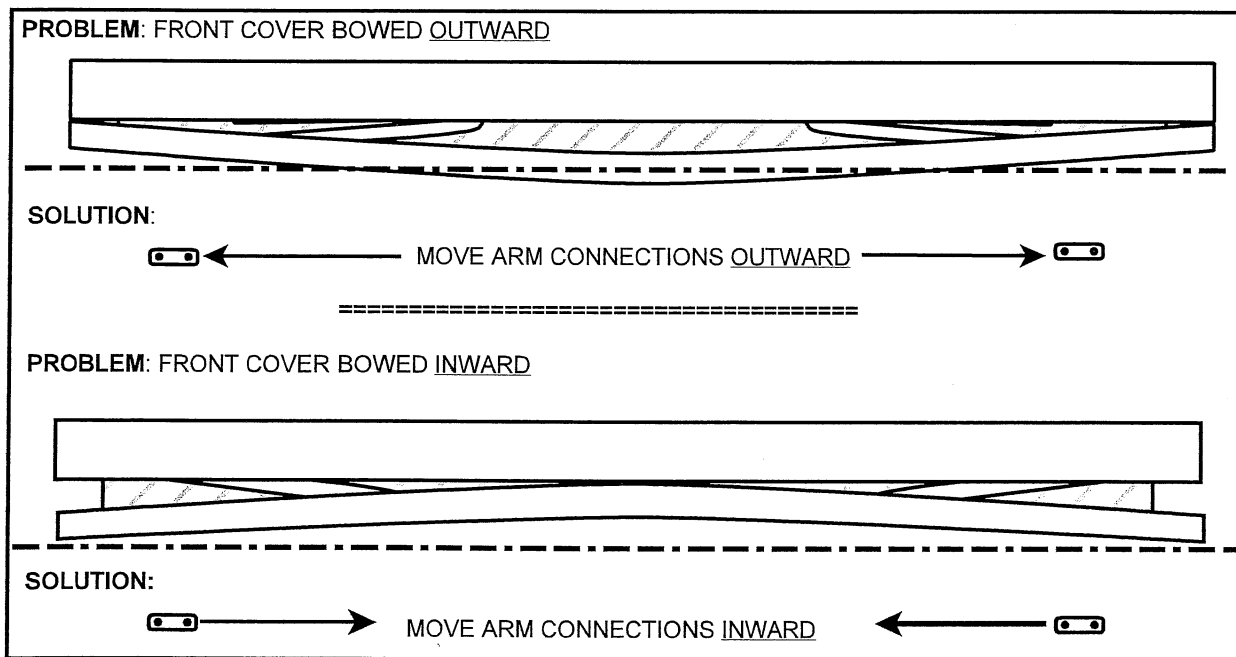
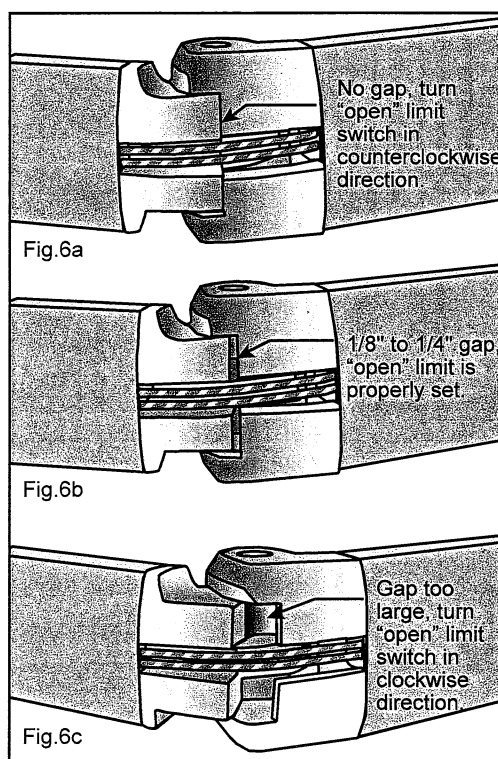
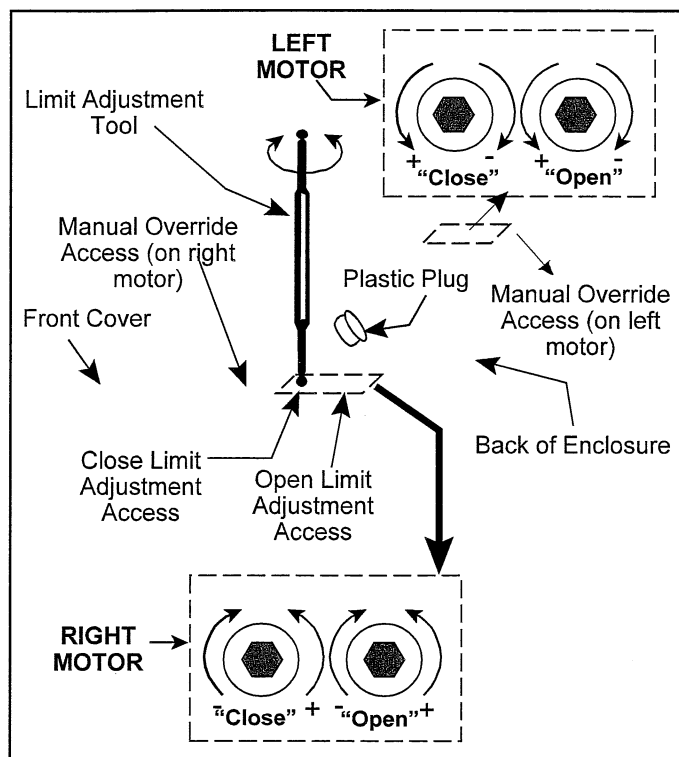


Fig. 4

- Tighten screws 1.
- Repeat procedure, if necessary.

Note: Tensions in the Front Cover may also be due to irregularities in the fabric. Should the irregularities in the fabric be too large, the tensions in the Front Cover cannot be adjusted by moving the mountings.

Setting Limits



Setting The Open Limit

Press the open button on either the remote or the wall switch. When the awning stops, the elbow of the lateral arms should have a 1/8" to 1/4" gap as in **Fig. 6b**.

If the elbow of the arm closes completely as in **Fig. 6a**, the motor has opened too far and the limit must be decreased by turning the open limit in a clockwise direction.

If the elbow is open more than 1/4" as in **Fig. 6c**, the motor has not opened far enough and the limit must be increased by turning the open limit in a counterclockwise direction.

Setting The Close Limit

Press the close button on either the remote or the wall switch. If the awning closes tightly, listen closely for a humming sound at the motor end. If there is no hum the close limit is properly set.

If you hear a slight hum, the motor is still running and must be stopped with the stop button and the close limit must be decreased by turning the close limit in a clockwise direction. Note: if the motor was running, you will hear an audible "click" when the motor stops using the "STOP" button.

If the motor stops before the awning closes tightly, the motor has not closed far enough and the limit must be increased by turning the close limit in a counterclockwise direction.