

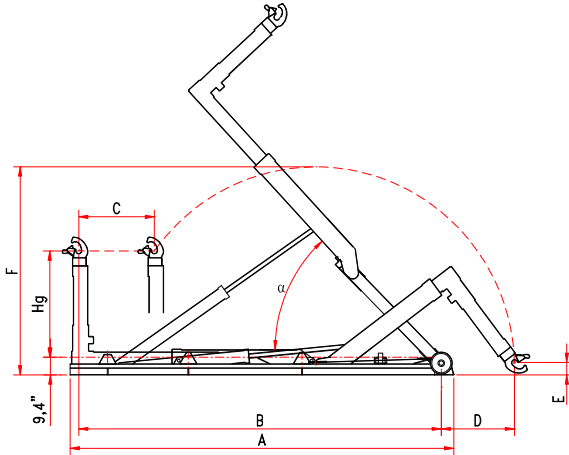


b.o.b. Sistemi Idraulici S.p.A.

**unilift**<sup>®</sup>

COMPANY WITH  
QUALITY SYSTEM  
CERTIFIED BY DNV GL  
= ISO 9001 =

**HOOKLIFT « T 40.000 »**



MODEL	T 40.000 C	T 40.000 NC	T 40.000 6N	T 40.000 6NL	T 40.000 6L
Hg	53,88"/61,75" (1.369/1.569 mm)	53,88"/61,75" (1.369/1.569 mm)	53,88"/61,75" (1.369/1.569 mm)	53,88"/61,75" (1.369/1.569 mm)	53,88"/61,75" (1.369/1.569 mm)
A	189,76" (4.820 mm)	197,63" (5.020 mm)	219,68" (5.580 mm)	227,55" (5.780 mm)	235,43" (5.980 mm)
B	177,95" (4.520 mm)	185,82" (4.720 mm)	204,72" (5.200 mm)	212,59" (5.400 mm)	220,47" (5.600mm)
C	40,74" (1.035 mm)	40,74" (1.035 mm)	40,74" (1.035 mm)	40,74" (1.035 mm)	40,74" (1.035 mm)
D	55,11" (1.400 mm)	47,24" (1.200 mm)	50" (1.270 mm)	42,12" (1.070 mm)	34,25" (870 mm)
E	5,9" (150 mm)	5,9" (150 mm)	9,44" (240 mm)	9,44" (240 mm)	9,44" (240 mm)
F	110,23" (2.800 mm)	110,23" (2.800 mm)	118,11" (3.000 mm)	118,11" (3.000 mm)	118,11" (3.000 mm)
Weight*	4.510 lb (2.050Kg)	4.570 lb (2.080 Kg)	4.730 lb (2.150 Kg)	4.790 lb (2.180 Kg)	4.860 lb (2.210 Kg)
α	55°	51°	49°	46°	44°
Container min. max.	13' – 18' (3.960 – 5.480 mm)	14' – 19' (4.270 – 5.790mm)	15' – 20' (4.570 – 6.090 mm)	16' – 21' (4.870 – 6.400 mm)	17' – 22' (5.180 – 6.700 mm)
LIFTING CAPACITY	40.000 lb (18.180 Kg)	40.000 lb (18.180 Kg)	40.000 lb (18.180 Kg)	40.000 lb (18.180 Kg)	40.000 lb (18.180 Kg)
TIPPING CAPACITY	40.000 lb (18.180 Kg)	40.000 lb (18.180 Kg)	40.000 lb (18.180 Kg)	40.000 lb (18.180 Kg)	40.000 lb (18.180 Kg)

\*Weight: basic hooklift weight without kit and options

The technical details shown in this sheet are indicative and can be changed by the builder without prior notice

**B.O.B. Sistemi Idraulici S.p.A.** – Regione Oltre Rea, 32 – 12060 Monchiero (CN) - Italia

P. I.V.A. 00496180043 - Tel.: +39 (0173) 780002/3 – Fax: +39 (0173) 780004

Internet: [www.bobspa.com](http://www.bobspa.com) - E-mail: [info@bobspa.com](mailto:info@bobspa.com)