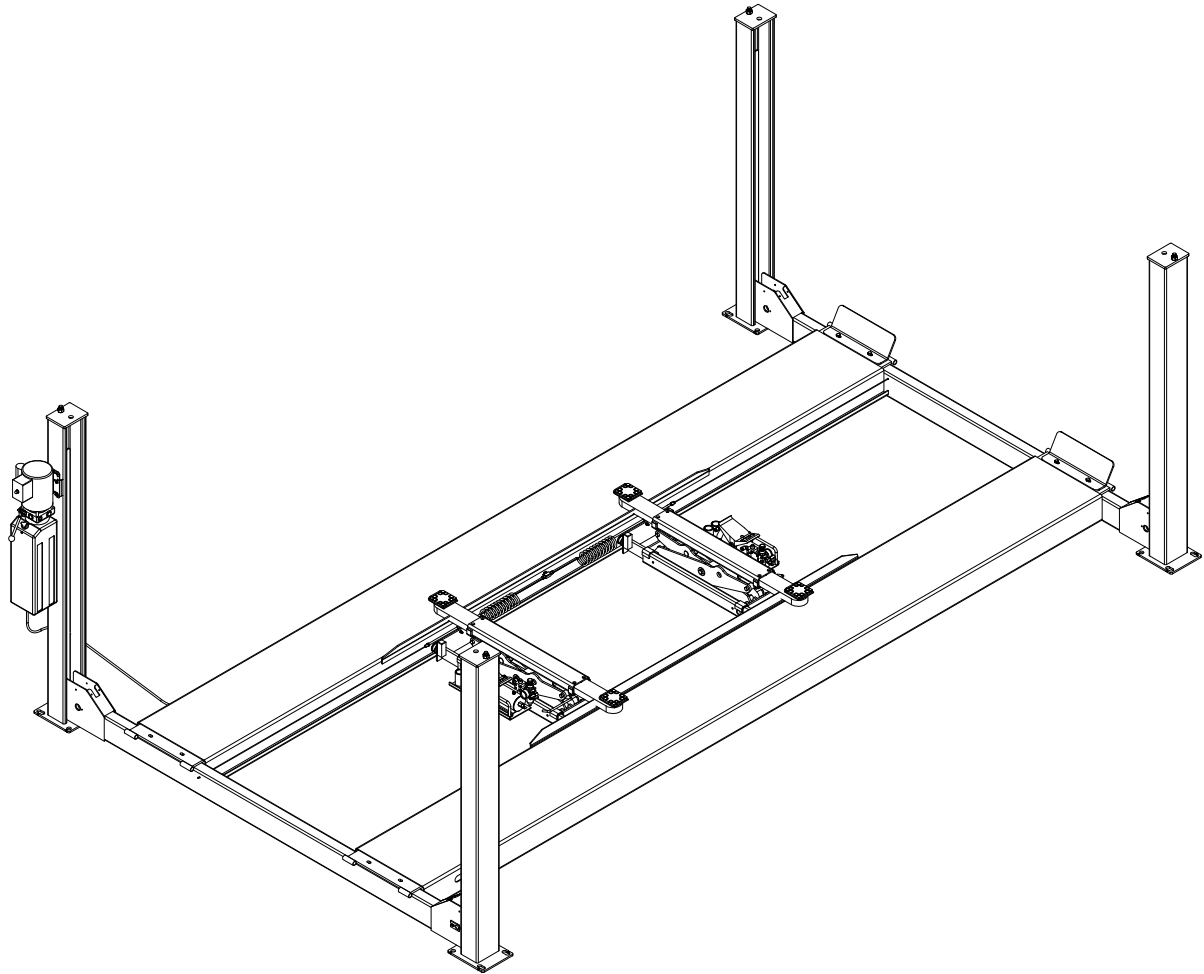


CL Challenger Lifts

INSTALLATION & OPERATION MANUAL SUPPLEMENT

AIR LINE ACCESSORY KIT

FOR MODEL 40000 SERIES



200 CABLE STREET, P.O. Box 3944 LOUISVILLE, KENTUCKY 40201-3944

EMAIL: SALES@CHALLENGERLIFTS.COM WEB SITE: WWW.CHALLENGERLIFTS.COM

OFFICE 800-648-5438 / 502-625-0700 FAX 502-587-1933

**IMPORTANT: READ THIS MANUAL COMPLETELY BEFORE INSTALLING OR
OPERATING LIFT**

Read entire manual before assembling, installing, operating, or servicing this equipment. Proper maintenance and inspection is necessary for safe operation. DO NOT operate a damaged lift.

Rev 10/8/2007
40230-IOM.doc

Air Line Accessory Kit
Installation & Operation Supplement

LAYOUT VIEW

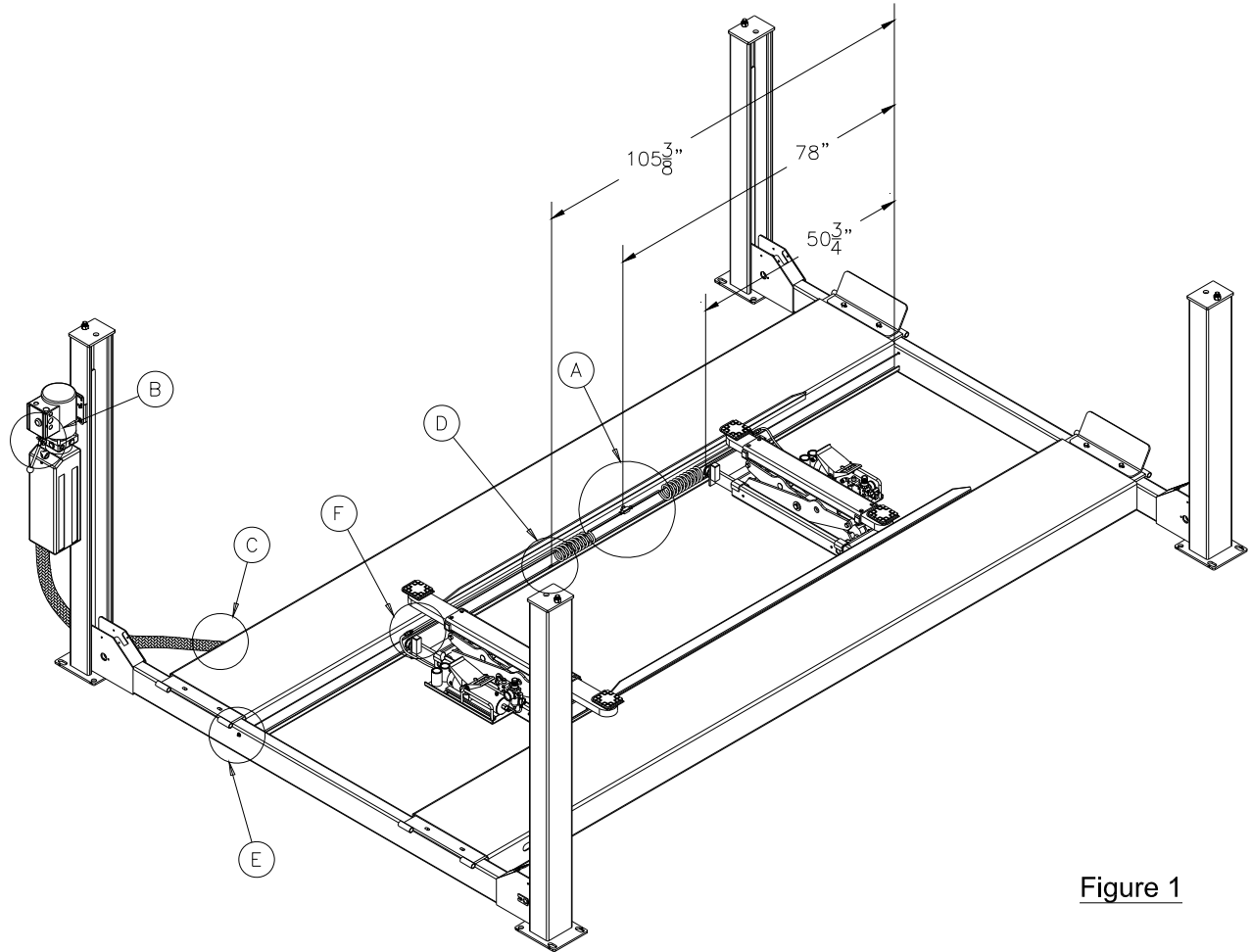
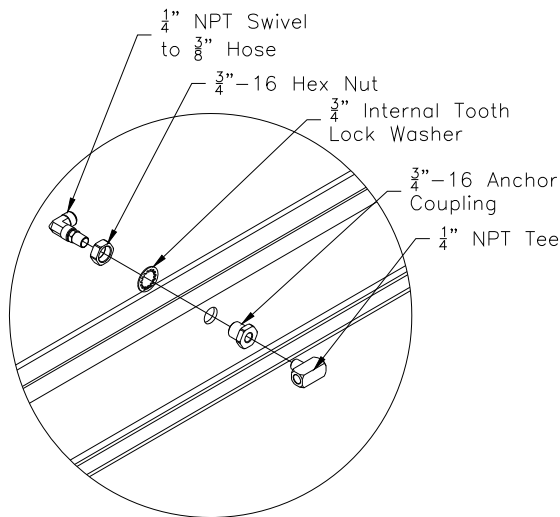


Figure 1

TEE FITTING INSTALLATION

1. Move lift to comfortable working height and rest in locks.
2. Locate $\text{Ø}13/16''$ on the vertical wall of the power runway 78'' from the front. As shown in Figure 1.
3. Assemble fittings as show in Detail A.



Detail A

AIR HOSE ROUTING

1. Locate Air Valve Bracket and assemble components supplied as shown in Detail B.
2. Rout $\frac{3}{8}''$ plastic air hose with hydraulic hose in cloth sheath to underside of power runway.

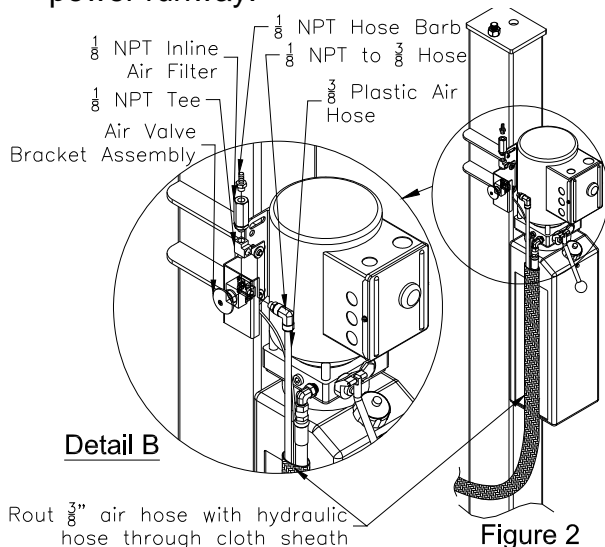
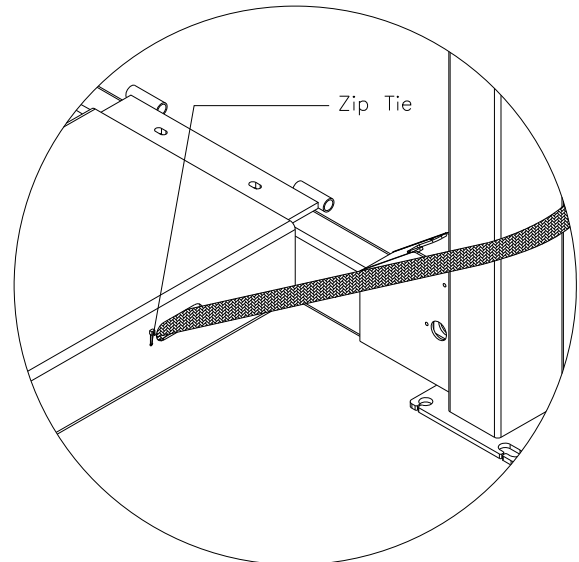


Figure 2

3. Use provided zip ties to secure $\frac{3}{8}''$ air hose to the power runway as shown in Detail C.



Detail C

4. Once routed inside the runway, run along the outside wall of the runway until hose can clear hydraulic cylinder.
5. Secure other end with zip tie to runway as before.
6. Making sure to clear cylinder then rout along inside wall of runway and connect to Tee. Figure 3.

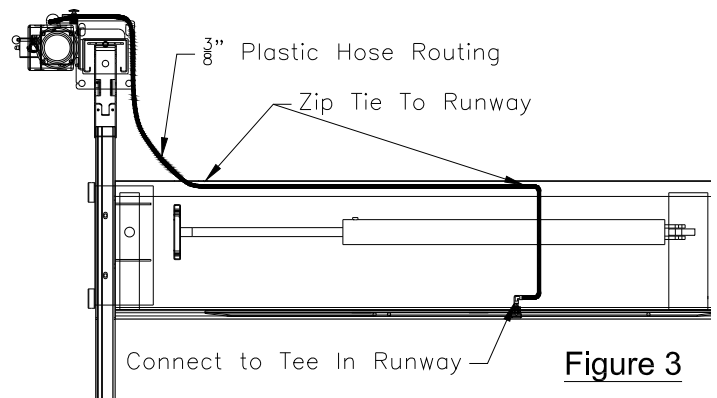
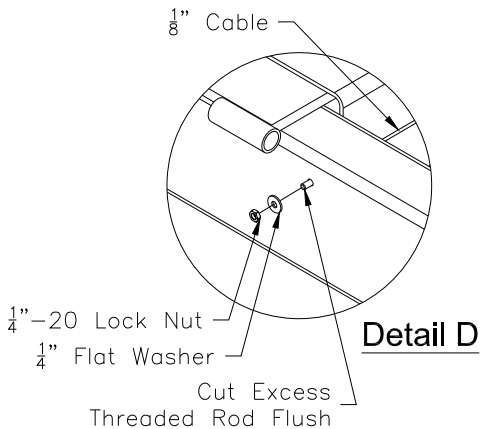
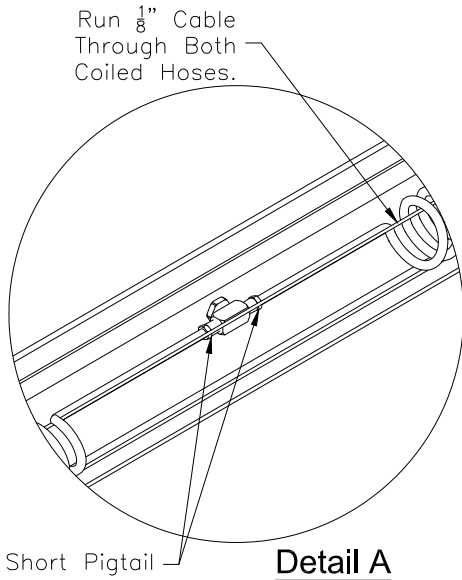


Figure 3

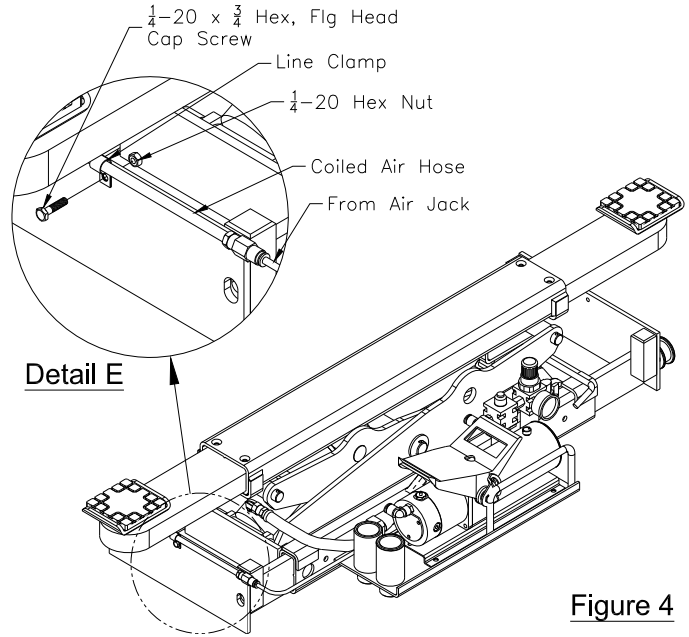
**Air Line Accessory Kit
Installation & Operation Supplement**

COILED HOSE INSTALLATION

1. Attach the coiled hose to the Tee in the runway and to the jacks.
 - a. Connect the short pigtail with the swivel end to the tee. Detail A.
 - b. Run $\text{Ø}1/8$ " steel cable through the coiled hoses and into both cross beams, attaching with $1/4$ " washer and lock nut. Cut excess thread flush. Detail D.

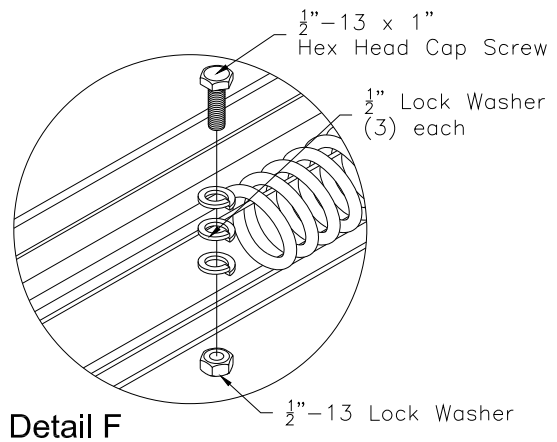


2. Use line clamp and provide provided hardware to secure the coiled hose to the jack as shown in Detail E.



BOLT STOP INSTALLATION

1. Locate $\text{Ø} 1/2$ " holes on the power runway located at $50 3/4$ " and $105 3/8$ " from the front of the runway as show in Figure 1.
2. Move the jacks to the ends of the runways and install $1/2$ "-13 bolts with no more then (3) $1/2$ " lock washers as shown in Detail F.



Air Line Accessory Kit
Installation & Operation Supplement

COILED HOSE TO JACK CONNECTION

1. When coiled hoses are attached to the jacks with the clamps provided, cut the provided $\frac{1}{4}$ " OD plastic tubing into lengths shown in Figure 5 and attach fittings by pushing onto end of tubing.
2. Rout hose with connections as shown in Figure 6. Note: different routing for Front or Rear jack location.

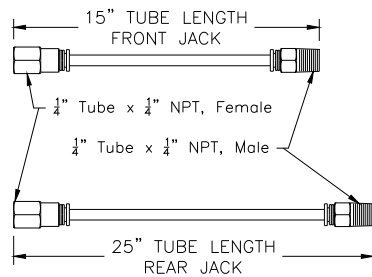


Figure 5

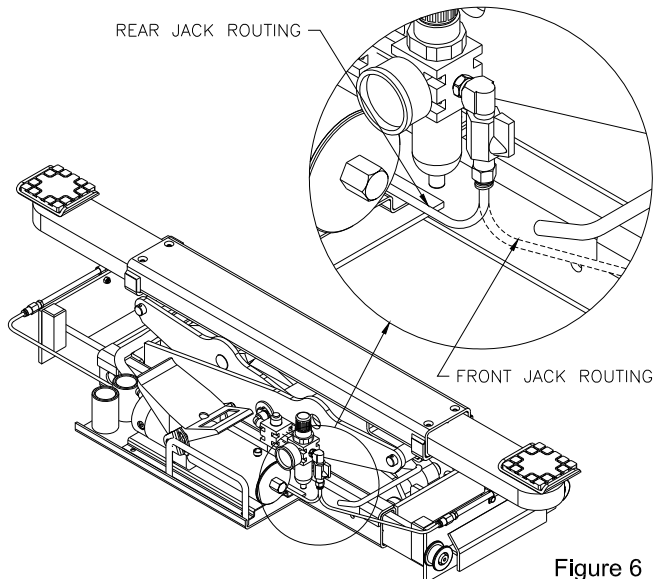


Figure 6