

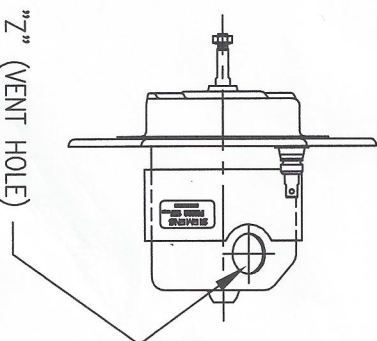
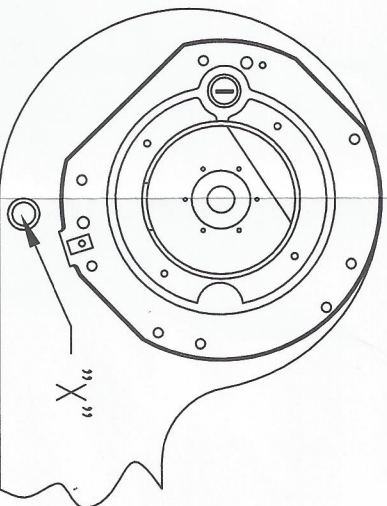
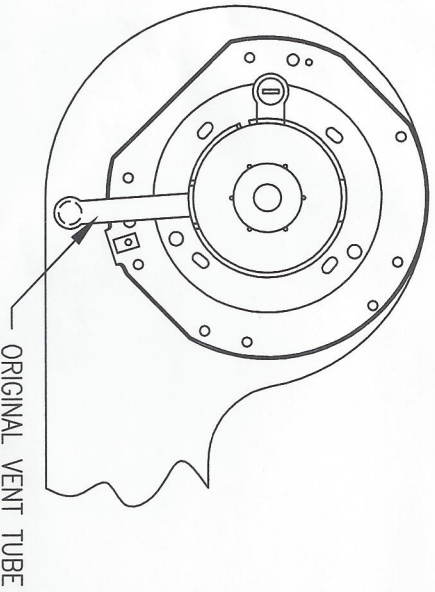
# INSTRUCTION SHEET

**WARNING: PLEASE READ THESE INSTRUCTIONS BEFORE INSTALLATION**

**ORIGINAL MOTOR**

**REPLACEMENT MOTOR**  
SIEMENS PART # PM102/PM102E

**REPLACEMENT MOTOR**  
SIEMENS PART # PM102/PM102E



## WITHOUT AIR CONDITIONING APPLICATIONS

### (HEATER MOTOR ONLY)

1. ORIGINAL MOTOR HAS A  $\phi 2-1/2$ " MOTOR AND REQUIRES A VENT TUBE FOR COOLING PURPOSES.
2. IF POSSIBLE, RE-USE & TRANSFER ORIGINAL VENT TUBE TO THE SIEMENS REPLACEMENT MOTOR BY CONNECTING THE VENT TUBE TO THE VENT HOLE LOCATED IN THE SIDE OF THE MOTOR CASE (MARKED "Z") AND THE AIR CONDITIONING HOUSING (MARKED "X").

**IF MOTOR BEING REPLACED IS  $\phi 3-1/4$ "**

**SEE STEPS 3 & 4.**

3. IF THE TUBE DOES NOT FIT OR IS NOT REQUIRED, USE THE ENCLOSED VENT HOLE PLUG (LARGE) AND INSERT IT INTO THE VENT HOLE LOCATED ON THE SIDE OF THE MOTOR CASE (MARKED "Z").

**NOTE: REPLACEMENT MOTOR DOES NOT REQUIRE COOLING**

## WITH AIR CONDITIONING APPLICATIONS

1. ORIGINAL MOTOR HAS A  $\phi 3-1/4$ " AND REQUIRES COOLING (VENTING)
2. RE-USE VENT TUBE BY CONNECTING IT INTO THE VENT HOLE LOCATED IN THE SIDE OF THE REPLACEMENT MOTOR CASE (MARKED "Z"), AND RE-CONNECT OPPOSITE END TO AIR CONDITIONING HOUSING (MARKED "X").

4. USE VENT PLUG (SMALLER) TO SEAL THE VENT HOLE LOCATED IN THE AIR CONDITIONING HOUSING (MARKED "X")