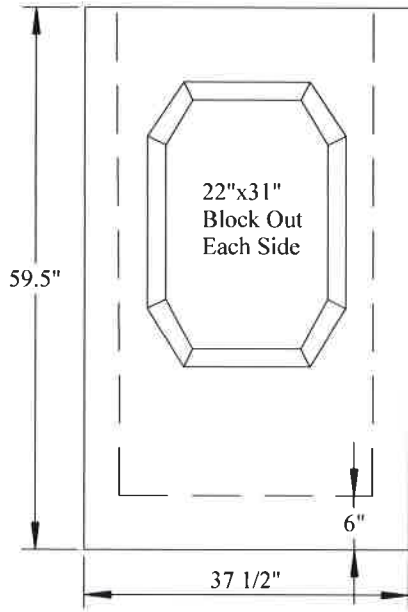
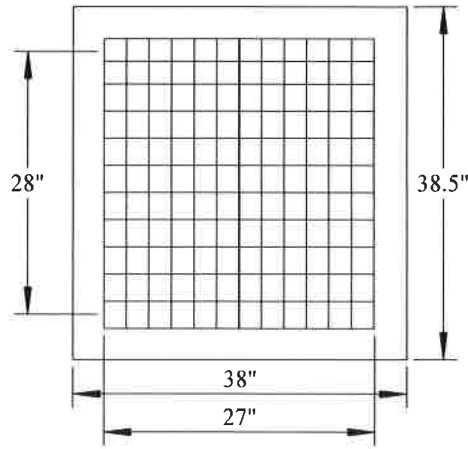


G2 Catch Basin - 5'

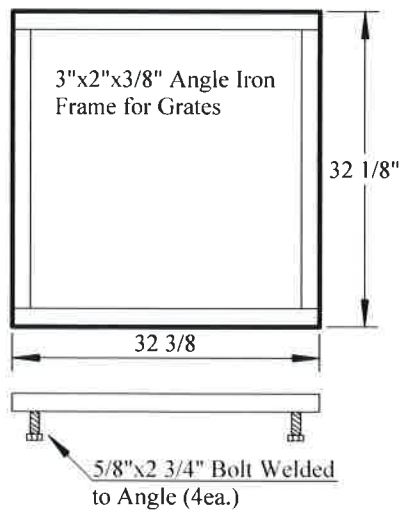
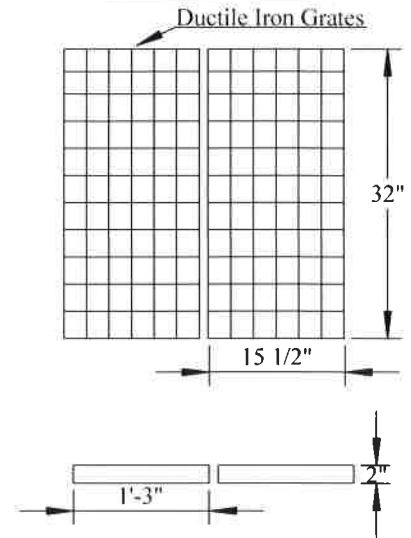
Side



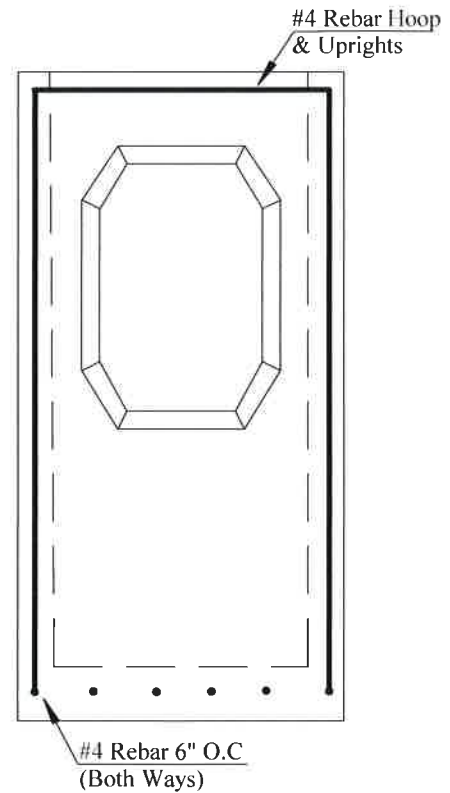
Top



Grate Detail



Frame Detail



Rebar Placement

