

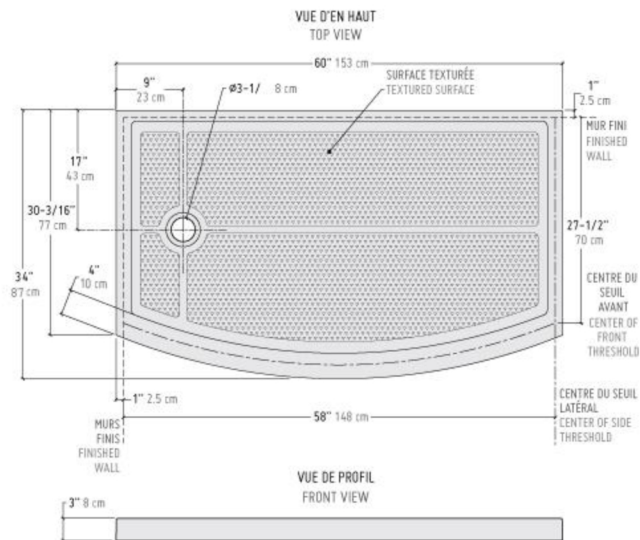


Standard Features:

- Available in left hand and right hand version.
- 4" Radius treshholds.
- Solid one- piece construction.
- Pre leveled, rests on subfloor.
- Mold and mildew resistant.
- "Grout free" and non-porous.
- Stain resistan and easy to clean.
- Waterproof and leakproof.

Specifications:

- Size: 34" x 60" size.
- Offset Drain.



NOTE: In the casting process slight shrinkage in length will occur 1/8" - 1/2"