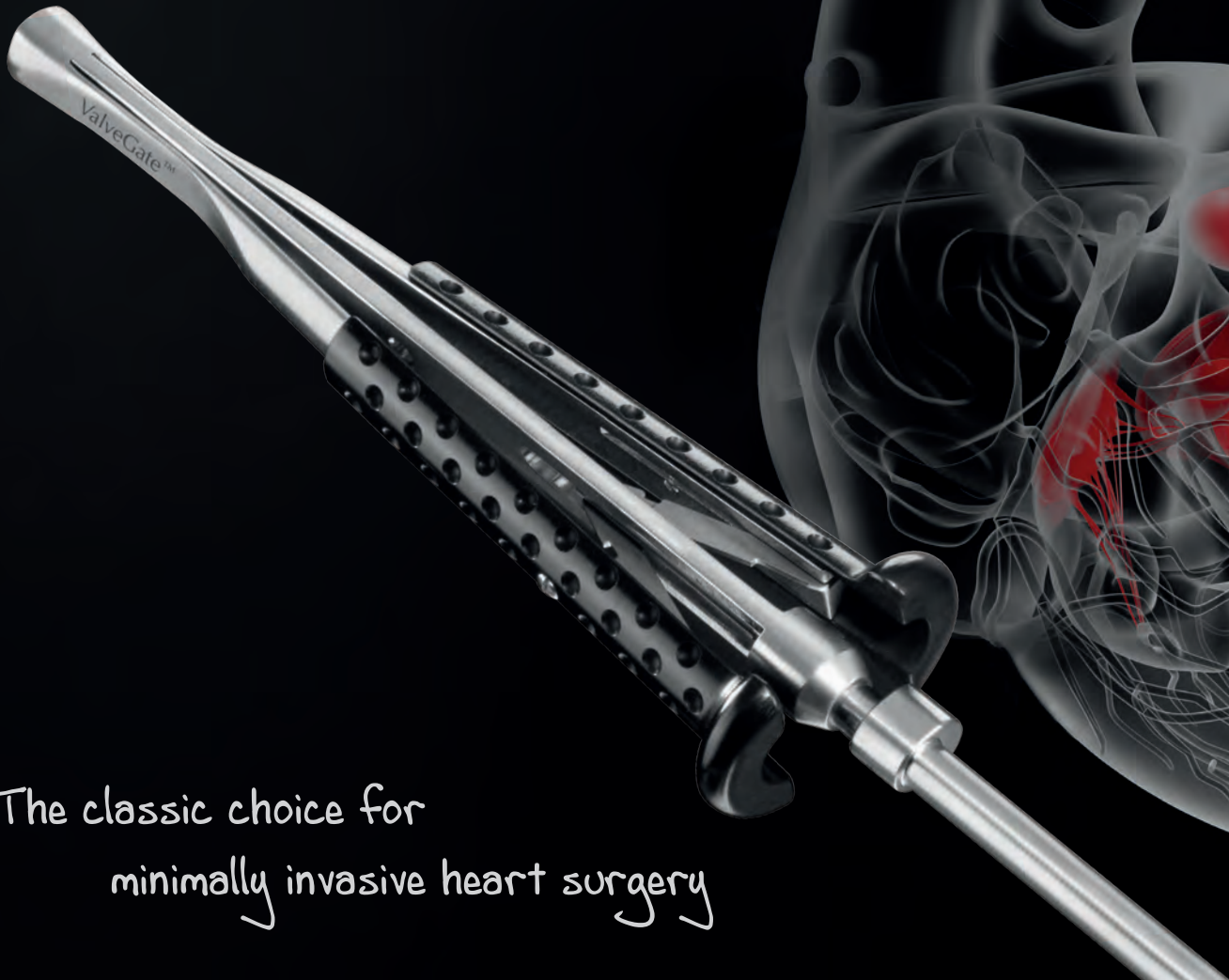




ValveGate™



The classic choice for
minimally invasive heart surgery



1995

1999

2000

2003

2004

Leipzig



Evolution of ValveGate™ instruments



2007

2010



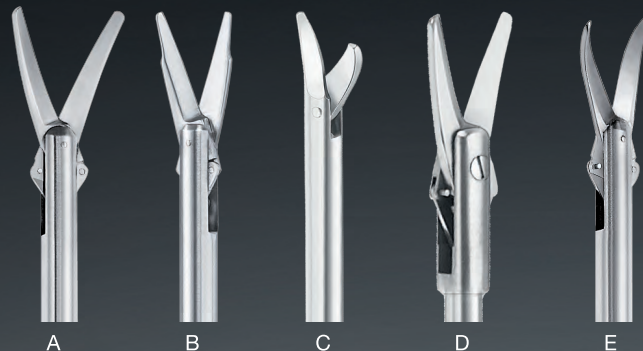
ValveGate™







ValveGate™



ValveGate™ Scissors

Fig. Art.-No.

A	34-7830	15° curved
B	34-7831	Jameson Scissors, curved, tenotomy tips
C	34-7832	20° curved, single action
D	34-7833	robust, 30° curved, 7 mm shaft
E	34-7835	30° curved
F	34-7836	40° curved, single action
G	34-7840	70° curved
H	34-7842	Ligature Scissors, 70° curved wave-cut
I	34-7860	Potts Scissors 125°, 3,4 mm shaft
J	34-7862	Potts Scissors 45°, 3,4 mm shaft
K	34-7861	Potts Scissors 30°, heavy pattern



5 mm shaft diameter, unless otherwise specified. Standard working length 25 cm/10" for minimally invasive valve surgery. For different length add "B", "C", "S", "L" or "XL" behind article number.

B = 12 cm/5" C = 15 cm/6" S = 17 cm/6¾" L = 30 cm/12" XL = 35 cm/14"



ValveGate™ Clip Applying Forceps

Fig.	Art.-No.	
L	34-7460	small, for use with SLS/Vitalitec* Clips
	34-7460.HZ	small, for use with Horizon* Clips
	34-7462	medium, for use with SLS/Vitalitec* Clips
	34-7462.HZ	medium, for use with Horizon* Clips

5 mm shaft diameter, unless otherwise specified. Standard working length 25 cm/10" for minimally invasive valve surgery. For different length add "B", "C", "S", "L" or "XL" behind article number.

B = 12 cm/5" C = 15 cm/6" S = 17 cm/6¾" L = 30 cm/12" XL = 35 cm/14"

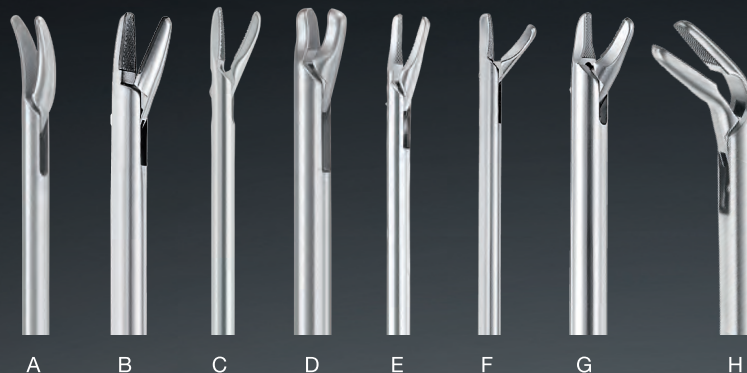
*Trademarks property of their respective trademark owner.



ValveGate™ Needle Holders with ratchet

Fig. Art.-No.

A	34-7799	TC curved, Crile-Wood, 3,4 mm shaft
B	34-7800	TC straight
C	34-7802	TC curved
D	34-7803	TC curved, short Colvin jaw
	34-7801	TC straight, short Colvin jaw
E	34-7804	TC Ryder straight, 3 mm shaft
F	34-7806	Mini TC curved, 2,7 mm shaft
G	34-7805	TC Ryder, straight
H	34-7807	TC angled up



ValveGate™ Dissecting Forceps

Fig. Art.-No.

I	34-7823	Leaflet Grasper, long, with ratchet
J	34-7828	Gemini Dissecting Forceps, smooth dilating tips



5 mm shaft diameter, unless otherwise specified. Standard working length 25 cm/10" for minimally invasive valve surgery. For different length add "B", "C", "S", "L" or "XL" behind article number.

B = 12 cm/5" C = 15 cm/6" S = 17 cm/6¾" L = 30 cm/12" XL = 35 cm/14"



K

L

ValveGate™ Knot Pusher

Fig. Art.-No.

K 34-7850

push to close

L 34-7851

push to open, short jaw



M

ValveGate™ IMA Holding Forceps

Fig. Art.-No.

M 34-7878

Mini IMA Holding, 0,8 mm upwards, 1x2 mouse teeth, Sapphire™, 3,4 mm shaft

5 mm shaft diameter, unless otherwise specified. Standard working length 25 cm/10" for minimally invasive valve surgery. For different length add "B", "C", "S", "L" or "XL" behind article number.

B = 12 cm/5" C = 15 cm/6" S = 17 cm/6¾" L = 30 cm/12" XL = 35 cm/14"



ValveGate™

ValveGate™ Gentle Graspers

Fig. Art.-No.

- | | | |
|---|---------|---|
| A | 34-7816 | extra wide jaw, straight, 4,5x14 mm, TC |
| B | 34-7826 | extra wide jaw, straight, 2x3 teeth, 4,5x14 mm, with extra fine teeth |



5 mm shaft diameter, unless otherwise specified. Standard working length 25 cm/10" for minimally invasive valve surgery. For different length add "B", "C", "S", "L" or "XL" behind article number.

B = 12 cm/5" C = 15 cm/6" S = 17 cm/6¾" L = 30 cm/12" XL = 35 cm/14"



ValveGate™ BeBaKey Graspers

Fig. Art.-No.

C	34-7820	1x2 teeth, narrow, straight, 1,5x11 mm
D	34-7821	1x2 teeth, narrow, angled upwards,, 1,5x18 mm
E	34-7822	1x2 teeth, narrow, angled sidwards, 1,5x18 mm, vertically opening
F	34-7824	Grasper Resano, strong, jaw for valves, straight
G	34-7825	1x2 teeth, wide jaw, 2,8x11 mm, straight
H	34-7827	1x2 teeth, delicate, 1,5x11 mm, 5/3 mm malleable shaft
I	34-7881	1x2 teeth, 1,5x15 mm, length of jaw 22 mm, narrow, straight
J	34-7918	1x2 teeth, narrow, 1,5x15 mm, angled sidwards 10°
K	34-7919	1x2 teeth, narrow, 1,5x15 mm, angled sidwards 25°
L	34-7922	1x2 teeth, narrow, angled sidwards, 1,5x18 mm, horizontally opening

5 mm shaft diameter, unless otherwise specified. Standard working length 25 cm/10" for minimally invasive valve surgery. For different length add "B", "C", "S", "L" or "XL" behind article number.

B = 12 cm/5" C = 15 cm/6" S = 17 cm/6¾" L = 30 cm/12" XL = 35 cm/14"



ValveGate™

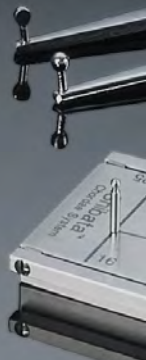


03-5420

03-5432

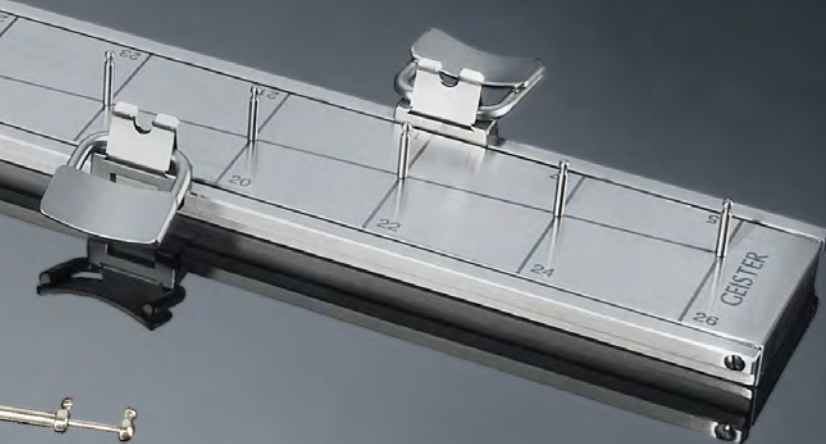


03-5409





03-5430



03-5425

ValveGate™ Mohr Suture Ruler

(Chordae Tendinae Measuring and Knotting Device for ePTFE sutures)

03-5409 ValveGate™ Suture Ruler
3-60 mm, 35 cm/13¾"

ValveGate™ Mohr Knotting Device

for chordal reconstruction with ePTFE sutures

03-5420

Shibata Chordae System

knotting device for facilitating chordal loop making

03-5425 15-26 mm

03-5425L 11-30 mm

Adams-Yozu Suture Gauge

03-5432

Adams-Yozu Knotting Caliper

with weight holder

03-5430



ValveGate™

34-7494

34-7465

34-7480

34-7495

34-7496



A B C D E F G H I J K



A	34-7486	ValveGate™ Fine Nerve and Vessel Hook, ball point, 90°	35 cm/13¾"
	34-7487	ValveGate™ Fine Nerve and Vessel Hook, ball point, 70°	35 cm/13¾"
B	34-7485	ValveGate™ Nerve and Vessel Hook	35 cm/13¾"
C	34-7484	ValveGate™ Vessel Hook	35 cm/13¾"
D	34-7475	ValveGate™ Suture Catcher fine, 1.8 mm	35.5 cm/14"
	34-7476	ValveGate™ Suture Catcher extra fine, 1.5mm	35.5 cm/14"
E	34-7480	ValveGate™ Magnetic Retriever	35 cm/13¾"
F	34-7471	ValveGate™ Holder for Scalpel blades #11 (without blades)	35 cm/13¾"
	16-2011	Scalpel Blades #11 (pack of 100, sterile)	
G	34-7470	ValveGate™ Holder for Mini Blades (without blades)	37 cm/14½"
	16-2065	Mini Scalpel Blades #65 (pack of 10, sterile)	
H	34-7465	ValveGate™ Valve Pusher	35 cm/13¾"
I	34-7494	ValveGate™ Knot Pusher, both sided	35 cm/13¾"
J	34-7495	ValveGate™ Knot Pusher	35 cm/13¾"
K	34-7496	ValveGate™ Knot Pusher with disc	35 cm/13¾"



ValveGate™



ValveGate™ Accessories

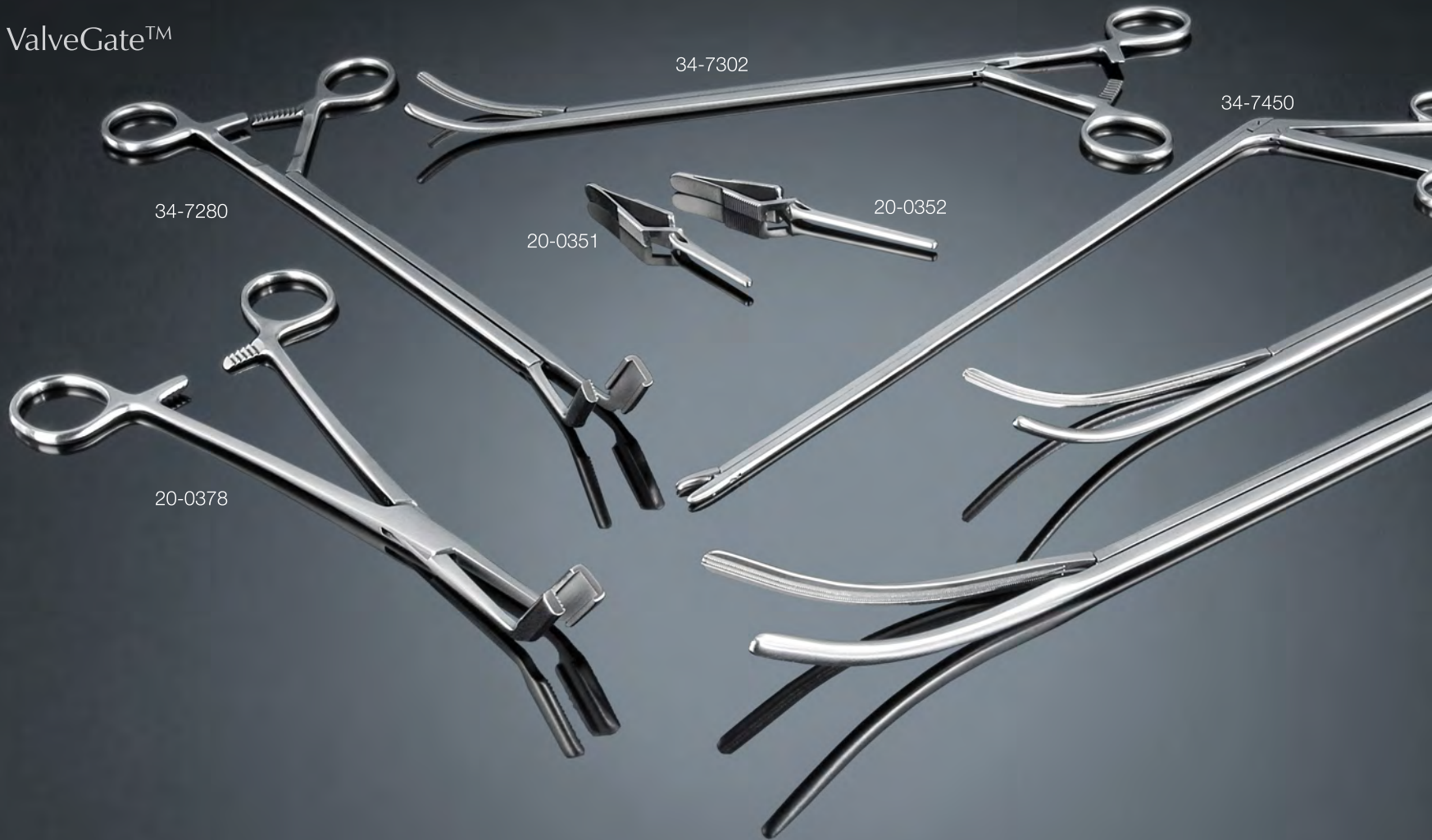


18-0050	ValveGate™ Cardioplegia Needle ø 2 mm	30.5 cm/12½"
18-0050L	ValveGate™ Cardioplegia Needle ø 2 mm	34 cm/13½"
18-0051	ValveGate™ Cardioplegia Needle ø 3 mm	30.5 cm/12"
34-0960.AC	ValveGate™ Endoscope ø 5 mm, direction of view 0° *	30 cm/12"
34-0961.AC	ValveGate™ Endoscope ø 5 mm, direction of view 30° *	30 cm/12"
18-4530	Heavy Bullet Vent	14x56 mm
18-4540	Double Lumen Bullet Vent	14x50 mm
18-4520	Ross Vent, Adult	47 mm
18-4521	Ross Vent, Child	37 mm
18-4522	Ross Vent, Infant	24 mm
34-0855	Thoracic Trocar	ø 6 mm
34-7510	Flexible Trocar	ø 6 mm, 70 mm
34-7511	Flexible Trocar	ø 6 mm, 100 mm
34-0952	Automatic Introducer cannula, automatic action, working length 103 mm, metal shaft, smooth	ø 5.5 mm
34-0952.PL	Automatic Introducer cannula, automatic action, working length 103 mm, plastic shaft, smooth	ø 5.5 mm
34-0952.VV	Silicone valve ø 3.5 mm - 8 mm, pack of 5 pieces for 34-0952 and 34-0952.PL	
34-0952.WC	White seal for 34-0952 and 34-0952.PL	
34-0956	Trocar, pyramidal point	ø 5.5 mm
34-3400	Veress Insufflation Needle, working length	120 mm
34-0860	Adams-Yozu Introducer Trocar	ø 2.3 mm

* autoclavable, universal eyepiece for C-Mount adapters with adapters compatible for Storz/Wolf/ACMI-type lightcables



ValveGate™




ValveGate™ DeBakey Transthoracic Aortic Clamp, with ratchet, sliding shaft

34-7301	100 mm (1x2) regular jaw, working length 29 cm	36 cm
34-7302	50 mm (1x2) regular jaw, working length 22 cm	32 cm
34-7303	75 mm (1x2) regular jaw, working length 24,5 cm	34 cm
34-7306	100 mm (2x3) wide jaw, working length 26,5 cm	36 cm
34-7311	100 mm (2x3) wide jaw, acutely curved, working length 26,5 cm	35 cm

ValveGate™ Aortic Valve Rongeur/Biopsy Forceps

34-7450	3mm, straight	30 cm
34-7450.Z	3mm, straight, detachable	30 cm
34-7451	3mm, 30° upwards	30 cm
34-7451.Z	3mm, 30° upwards, detachable	30 cm

20-0351	DeBakey Bulldog Clamp straight	9 cm/3½"
20-0352	DeBakey Bulldog Clamp straight	10.5 cm/4"
20-0378	Bulldog Clamp Applying Forceps, jaw 45° angled up	24 cm/9½"
20-0378.SO	Bulldog Clamp Applying Forceps, jaw 25° angled up	24 cm/9½"
34-7280	Endoscopic Bulldog Clamp Applying Forceps, angled	27 cm/10½"
34-7281	Endoscopic Bulldog Clamp Applying Forceps, straight	27 cm/10½"

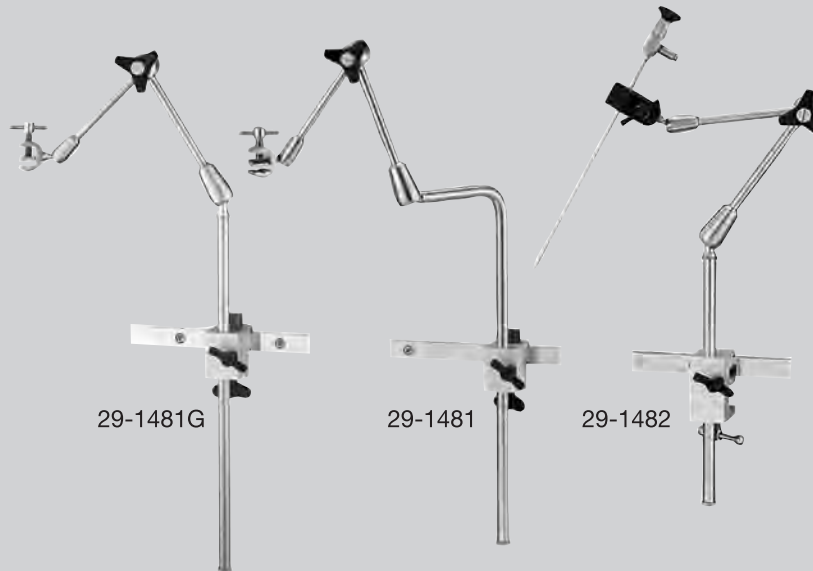


ValveGate™



29-1380

29-1379



29-1481G

29-1481

29-1482



- 29-1380 ValveGate™ Set of 6 Mitral Blades
(35x40/35x60/35x50/45x50/45x60/45x70 mm)
with 2 Holders and Introducer
- 29-1379 ValveGate™ Set of 6 Tricuspidal Blades
(19x25.5/24.5x25.5/38x25.5/34.5x38.5/25.5x51/48x25.5 mm)
with 2 Holders and Introducer
- 29-1481G Iron-Assistant™ Instrument Holder, extra long straight bar
- 29-1481 Iron-Assistant™ Instrument Holder, L-shaped bar
- 29-1481/I ditto, insulated for use with HF-surgery
- 29-1482 Iron-Assistant™ Endoscope Holder, straight bar
- 29-1482/I ditto, insulated for use with HF-surgery

29-5000 Iron-Assistant™ Pneumatic Endoscope Holder for direct connection with the compressed air supply in the OR (working pressure 5 bar up to 7 bar). Enables instantaneous and unlimited one-hand manipulation of an endoscope or tube shaft instrument within the operating field followed by total steadiness and stability under load once in the „locked“ position. Easy handling and highest reliability due to the one-hand concept with only 3 hinges and the use of titanium components for weight reduction. The pneumatic arm can be easily attached to the OR table rail and is autoclavable completely or partially (if draping is preferred) for quick sterile set-up.

77-3623 ValveGate™ Pro System Tray (see page 29)



ValveGate™



29-1395

29-1397.06

30-0740

30-0546.16

29-1390

ValveGate™ Retractors

**ValveGate™ Mini-Thoracotomy Retractor**

- 29-1395 with straight arms, 40 mm x 60 mm tubular blades and turnable crossbar (detachable) for accessories
- 29-1390 with curved arms, 40 mm x 60 mm tubular blades with strong spreading bar and turnable crossbar (detachable) for accessories
- 29-1390.45 as above, but 40 mm x 45 mm blades
- 29-1390.80 as above, but 40 mm x 80 mm blades

Recommended ValveGate™ Accessories:

- 29-1397.06 ValveGate™ Suture Ring 6 mm with removable springs
- 29-1397.08 ValveGate™ Suture Ring 8 mm with removable springs
- 29-1395.TB Extra turnable crossbar
- 29-1500.BH Malleable Atrial Retractor 20 mm
- 29-1500.HS Cooley Atrial Hook 20 mm curved basket
- 29-1501.HS Cooley Atrial Hook 20 mm straight basket
- 29-1500.HS/D Cooley Atrial Hook 20 mm curved basket, long shaft
- 29-1428 Fixation Clamp, 6 mm
- 29-1437 Multi-Purpose Spatula

ValveGate™ Mini-Thoracotomy Retractor

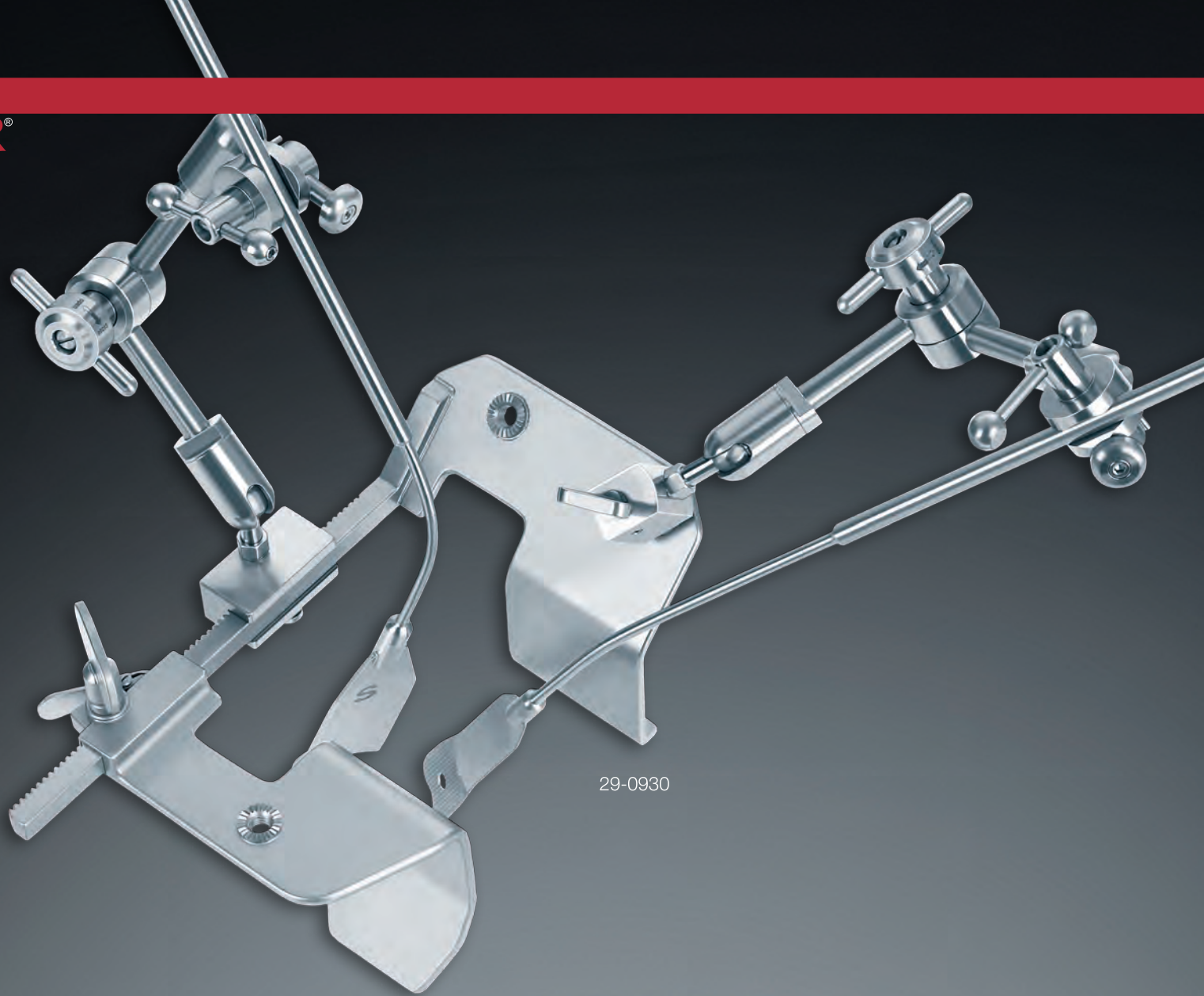
- 29-1396 with hinged arms, 2 x 2 exchangeable parallel blades 36 mm x 38 mm and 36 mm x 52 mm, turnable crossbar (detachable) for accessories*
- 29-1396E2 as above, but 2 x 2 tubular blades 40 mm x 50 mm and 40 mm x 70 mm**
- 29-1396E3 as above, but 3 x 2 tubular blades 40 mm x 30 mm and 40 mm x 50 mm and 40 mm x 70 mm**
- 30-0740 Cone Retractor 14.5 cm/5¾" deep pattern
- 30-0546.16 Memory Malleable Spatula 16 mm 18 cm/7"
- 30-0546.19 Memory Malleable Spatula 19 mm 18 cm/7"
- 30-0546.24 Memory Malleable Spatula 24 mm 18 cm/7"

* shown with 29-1428 and 29-1500.HS (not included)

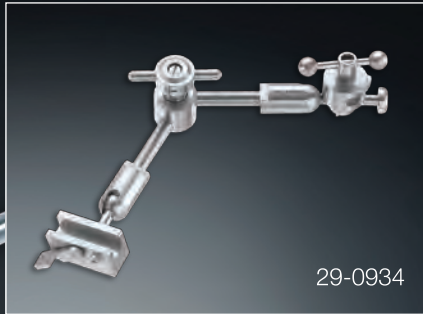
** also available with fenestrated blades. Add "M" behind article number.



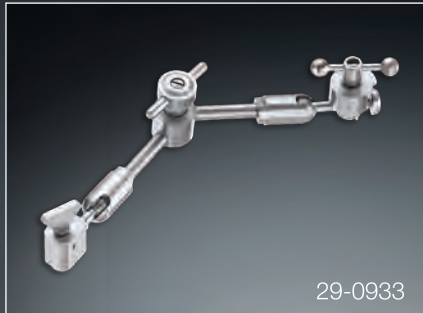
ValveGate™



29-0930



29-0934



29-0933



29-0935



29-0937.35



29-0938



29-0930

Adams-Yozu Mini Valve System

Art.-No.	A	B	C	D
29-0930	55 mm	50 mm	95 mm	85 mm
	65 mm	50 mm		

small version

Art.-No.	A	B	C	D
29-0929	45 mm	40 mm	95 mm	85 mm
	55 mm	40 mm		

Accessories:

29-0933	Adams-Yozu Mini Arm with M6 screw connector
29-0934	Adams-Yozu Mini Arm with quick connector for spreading bar
29-0935	Attachment and Extension blade
29-0937.18	Depressor blade malleable 18 mm, "XXS" Ped., 85 mm deep, 44 cm
29-0937.23	Depressor blade malleable 23 mm, "XS", 70 mm deep, 44 cm
29-0937.28	Depressor blade malleable 28 mm, "S", 70 mm deep, 44 cm
29-0937.35	Depressor blade malleable 35 mm, "M", 70 mm deep, 44 cm
29-0937.45	Depressor blade malleable 45 mm, "L", 70 mm deep, 44 cm
29-0937.45L	Depressor blade malleable 45 mm, "XL", 90 mm extra deep, 44 cm
29-0938	Spatula malleable 20 mm, 70 mm deep, 36 cm



ValveGate™





ValveGate™ Soft Tissue Protector

The ValveGate™ Soft Tissue Protector for Minimally Invasive Valve Surgery is a sterile, single patient use wall access device consisting of 2 overlaid plastic rings that are interconnected by means of a silicone rubber membrane. The bottom ring is a flexible ring made with a shape memory allow to be inserted in situ.

The special features are:

- clear and unimpeded access to surgical site in minimally invasive valve or bypass surgery, MIDCAB, V.A.T.S., transcatheter or transapical valve replacement a.o.
- protects wound edge and surrounding tissue
- usable with or without retractor
- can be used in combination with incision foil
- reduces risk of embolic fat particles on instruments, sutures and knot pushers
- improves visibility and exposure
- self-holding, for incisions from 6 cm to 9 cm (regular size) and from 3 cm to 5 cm (small size)
- very easy to insert in situ
- high flexibility
- latex-free silicone rubber

Art.-No. 29-1399

regular Size

Art.-No. 29-1399S

small size



For easy placement simply push the flexible ring downwards as illustrated and insert it into the wound cavity. Then push the reversed portion carefully down as well and expand it. Remove it in the opposite way by inserting some fingers, grabbing a part of the flexible ring, and pulling it out carefully. Dispose after use.



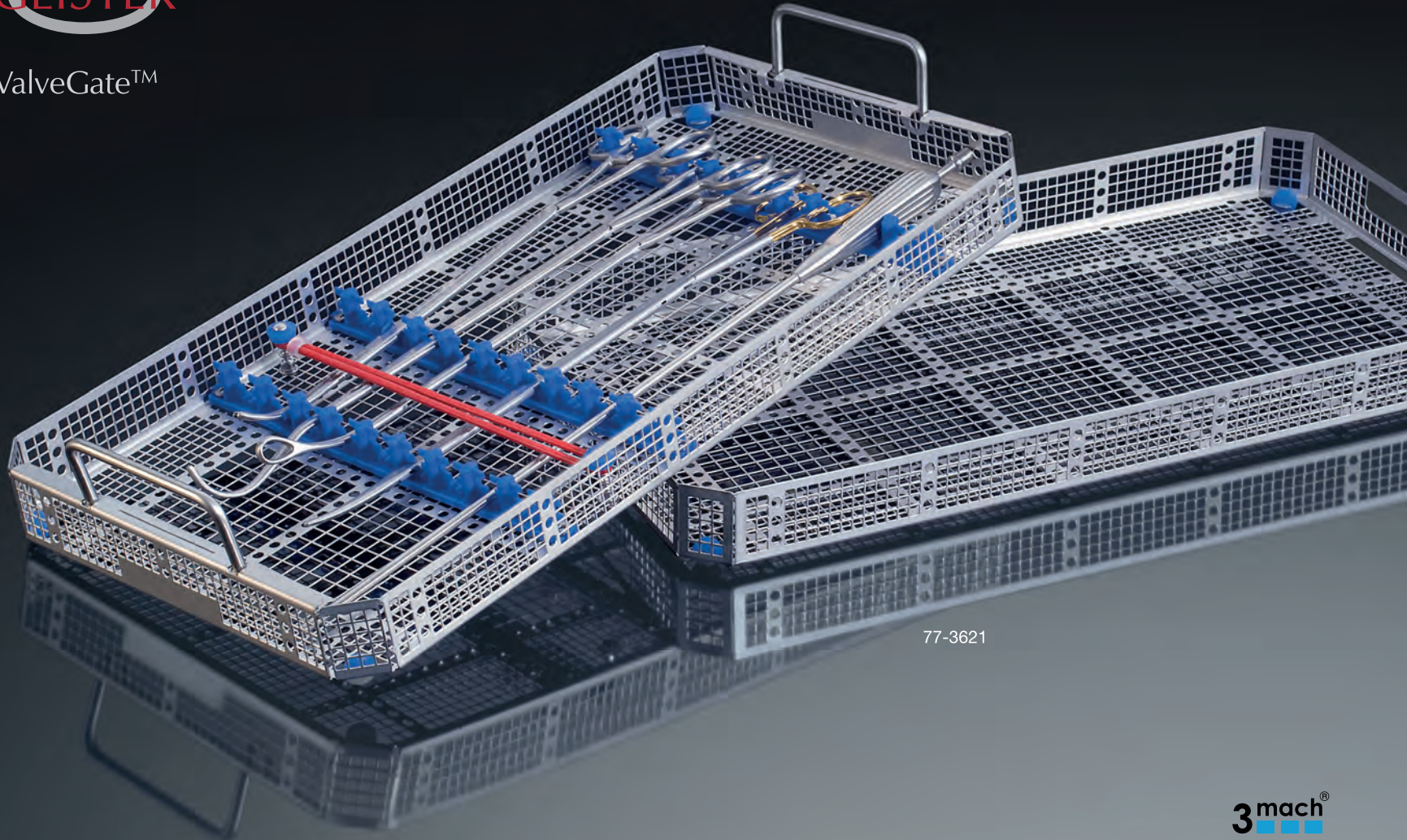
Art.-No. 25-8010

Punch Forceps for Soft Tissue Protector

26 cm, for cutting circular holes for placement of tubes and drains.



ValveGate™



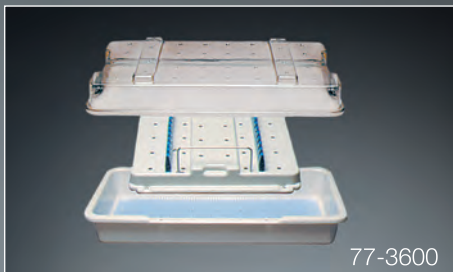
77-3621



00-3800



77-3623



77-3600

77-3621 ValveGate™ PRO System Tray basket container
Special Tray DIN with variable bracket and mounts
484x254x45 mm, with lid

00-3800 Charly ValveGate Trainer
with USB-camera and -light

77-3623 ValveGate™ Pro System Tray
large special Tray for Iron-Assistant™,
536 x 240 x 85 mm, with lid

77-3600 Plastic Speciality Containers
Convertible ValveGate™ & Laparoscopy, Base w. mat,
removable insert, 478 x 203x130 mm, clear lid

1/1 Type CleanLoop™ Sterilization Box

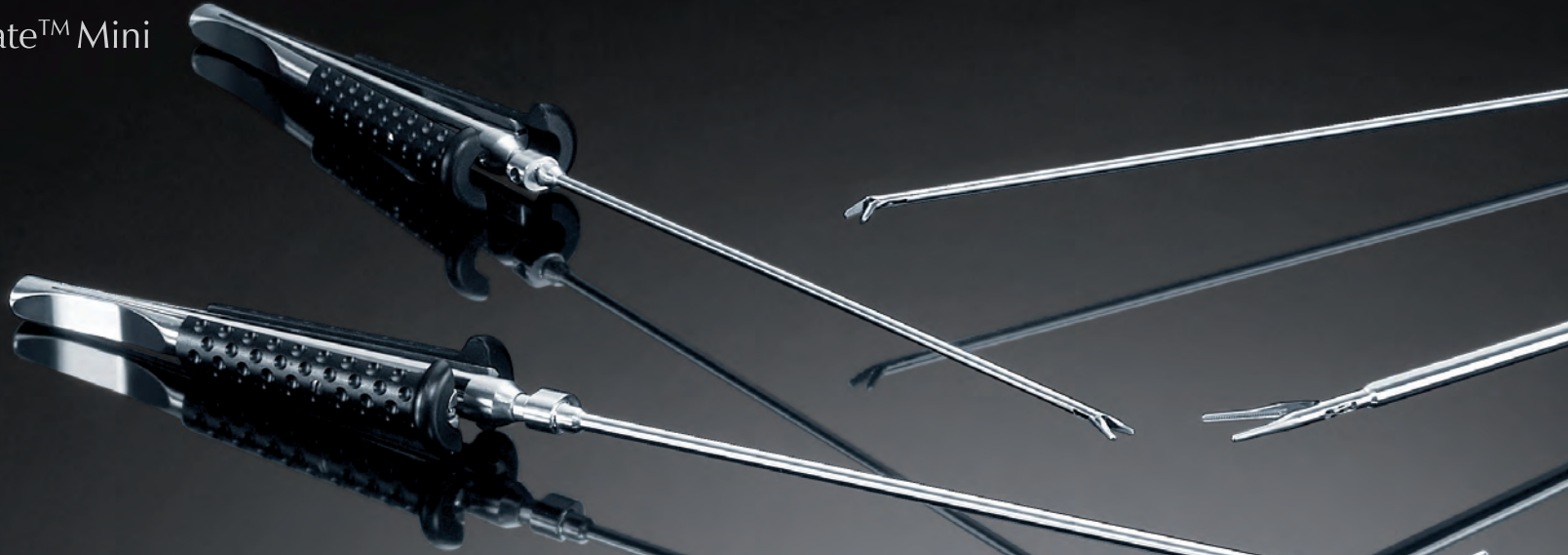
77-7010	Sterilization Box Aluminium	590x290x100 mm, Lid standard (red)
77-7011	Sterilization Box Aluminium	590x290x135 mm, Lid standard (red)
77-7012	Sterilization Box Aluminium	590x290x150 mm, Lid standard (red)
77-7013	Sterilization Box Aluminium	590x290x170 mm, Lid standard (red)
77-7015	Sterilization Box Aluminium	590x290x220 mm, Lid standard (red)
77-7017	Sterilization Box Aluminium	590x290x270 mm, Lid standard (red)

**Accessories see special catalog
"Trays and Containers"**





ValveGate™ Mini



A

B

C

D

E

F

G

H

I

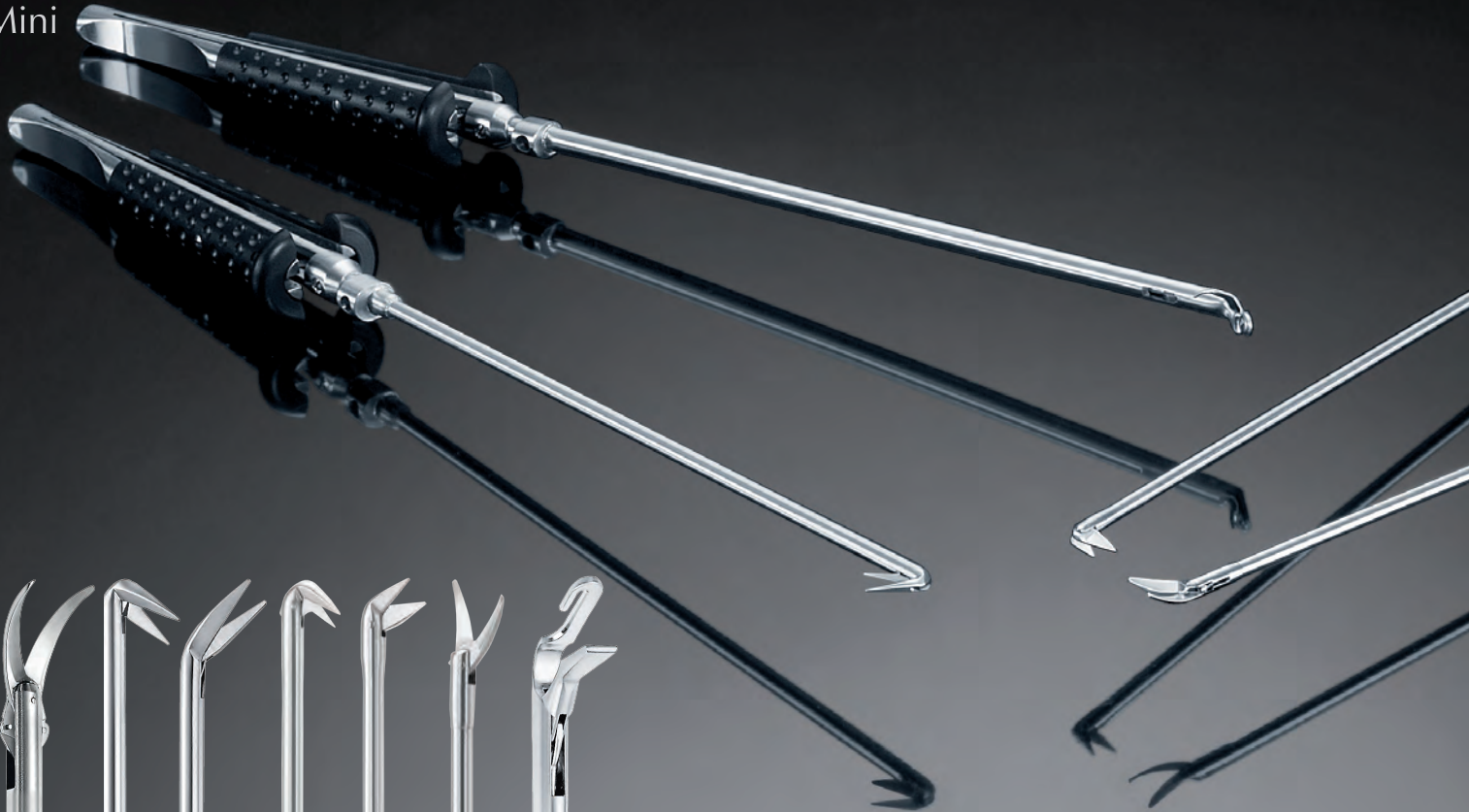


- A 34-7826S **ValveGate™ Gentle Grasper 17 cm**
extra wide jaw, straight, 2x3 teeth,
4.5x14 mm, with extra fine teeth
- ValveGate™ DeBakey Grasper 17 cm**
- B 34-7820S 1x2 teeth, narrow, straight, 1.5x11 mm
C 34-7821S 1x2 teeth, narrow, angled upwards, 1.5x18 mm
D 34-7822S 1x2 teeth, narrow, angled sideways, 1.5 x18 mm
E 34-7825S ValveGate™ DeBakey Grasper, 1x2 teeth,
wide 2.8x11 mm
F 34-7827S ValveGate™ DeBakey Grasper, 5/3 mm malleable shaft,
1x2 teeth, narrow 1.5x11 mm
G 34-7875S ValveGate™Mini DeBakey Grasper, 3.4 mm shaft
1x2 teeth, 1.5x15 mm angled up,
H 34-7876S ValveGate™Mini DeBakey Grasper, 3.4 mm shaft
1x2 teeth, 1.5x15 mm straight, length of jaw 20 mm
I 34-7881S 1x2 teeth, 1.5x15 mm, length of jaw 22 mm,
narrow, straight
- ValveGate™ Needle Holders with ratchet 17 cm**
- J 34-7800S TC straight
K 34-7802S TC curved
L 34-7805S TC Ryder, straight, 1,2 mm tip,
M 34-7806S Mini TC curved, 2.7 mm shaft
N 34-7804S TC Ryder straight, 3 mm shaft, 0,8 mm tip,
O 34-7808S Mini TC , angled upwards, 2.7 mm shaft

5 mm shaft diameter, unless otherwise specified. Alternative lengths B=12 cm and C=15 cm instead of S=17 cm available at same price.



ValveGate™ Mini



A B C D E F G H I



- ValveGate™ Scissors 17 cm**
- A 34-7830S 15° curved
 - B 34-7835S 30° curved
 - C 34-7840S 70° curved
 - D 34-7860S Potts Scissors 125°, 3.4 mm shaft
 - E 34-7862S Potts Scissors 45°, 3.4 mm shaft
 - F 34-7863S Mini Potts Scissors 125°, 4mm blade, 3 mm shaft
 - G 34-7864S Mini Potts Scissors 45°, 4mm blade, 3 mm shaft
 - H 34-7865S Mini Dissecting Scissors, slightly curved, 3 mm shaft
- ValveGate™ Knot Pusher 17 cm**
- I 34-7850S push to close
 - 34-7849S push to close, short jaw
 - J 34-7851S push to open, short jaw
 - K 34-7852S Mini Knot Pusher, push to close, 3mm shaft
- Mini IMA Holding 17 cm**
- L 34-7878S Mini IMA Holding, 0.8 mm upwards, 1x2 mouse teeth, Sapphire™, 3.4 mm shaft
- ValveGate™ Mini Pulling Forceps 17 cm**
- M 34-7879S 0,8mm, straight, Sapphire™
- ValveGate™ Forceps 17 cm**
- N 34-7829S Ring Tissue Forceps, Sapphire™ jaws, single action
- ValveGate™ Clip Applying Forceps 17 cm**
- O 34-7460S small, for use with SLS/Vitalitec* Clips
- Chest Tube Passer**
- P 03-7611 35cm with ratchet
(used as retractor to depress lung), with ring handle

5 mm shaft diameter, unless otherwise specified. Alternative lengths B=12 cm and C=15 cm instead of S=17 cm available at same price.

*Trademarks property of their respective trademark owner.



MICS CABG



Suggested Instrument Kit for the MICS CABG



MICS CABG

MICS CABG is an "off-pump", multi-vessel coronary artery bypass surgery. Much less invasive than traditional bypass surgery, the procedure can even be performed through three small incisions only, without cutting ribs or the sternum.

03-7611BN	1x	Chest Tube Passer 35cm with ratchet, bullet nose
34-7830S	1x	ValveGate™ Scissors curved 15°, 5 mm shaft, 17 cm
34-7806S	2x	ValveGate™ Mini TC Needle Holder curved, 2.7 mm shaft, with ratchet, 17 cm
34-7826S	1x	ValveGate™ DeBakey Grasper soft, 2x3 atraumatic serration extra wide, 4.5x 14 mm, 5 mm shaft, 17 cm
34-7864S	1x	ValveGate™ Mini Potts Scissors 45°, 4 mm blade, single action, 3 mm shaft, 17 cm
34-7863S	1x	ValveGate™ Mini Potts Scissors 125°, 4 mm blade, single action, 3 mm shaft, 17 cm
34-7876S	1x	Valve Gate™ DeBakey Mini Grasper 1x2 atraumatic serration, 1.5x 15 mm straight, 3.4 mm shaft, 17 cm
34-7878S	1x	Valve Gate™ Mini IMA Holding Forceps upwards angled 0.8 mm jaw, 1x2 mouse teeth, Sapphire™, 3.4 mm shaft, 17 cm
34-7460	2x	ValveGate™ Clip Applying Forceps for SLS/Vitalitec* small, 25 cm
34-7462	1x	ValveGate™ Clip Applying Forceps for SLS/Vitalitec* medium, 25 cm
optional		
34-7827S	A 1x	ValveGate™ DeBakey Grasper 1x2 atraumatic serration delicate, 5/3 mm malleable shaft, 17 cm
34-7852S	B 1x	ValveGate™ Mini Knot Pusher, push to close, 3 mm shaft, 17 cm
22-0430	C 1x	DeBakey-Beck Aortic Clamp 19.5 cm

*Trademarks property of their respective trademark owner.





GEISTER Medizintechnik GmbH

Föhrenstrasse 2 | D-78532 Tuttlingen | Germany

☎ +49 7461/966240 | +49 7461/9662422

www.geister.com | info@geister.com