



Protruding Windows - Bay, Bow, and Box Style

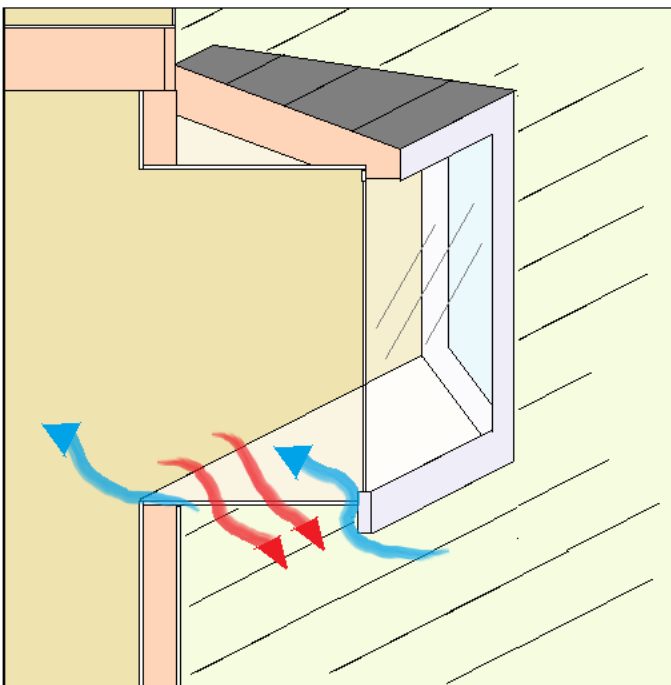
Protruding windows are a beautiful addition to any room but they are usually completely un insulated. The sill portion of the window is just plywood. This means that the only thing between your cozy living space and the sub zero winter temperatures outside is a thin piece of plywood. The sill allows cold air to leak in and conditioned air to leak out. In many cases, the home owner's who have these features cannot even go near the window in the winter.

The good news is that these beautiful windows do not need to be removed or replaced to fix this issue. Our solution to this problem is to seal the underside of the sill with foam and then fill the sill with closed cell spray foam or 2" polyiso foam board. This eliminates air leakage and results in a much more comfortable living space year round.



Bay Window Sill - No Insulation

Before



Bay Window Insulated with Closed Cell Spray Foam

After

