



**Ratings**

**Front Armor: 11**  
**Flank Armor: 7**  
**Speed: 5**  
**Mobility: Tracked (T)**

**Badger**  
**Armored Earthmoving Vehicle**

**FN MAG 7.62mm Machinegun**  
**Ammunition: SA**  
**Armor: Welded Steel (+4/+4)**  
**ERA (—)**

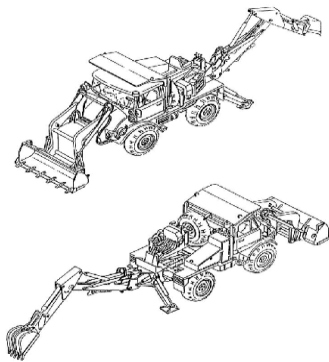


**Special Abilities: Earthmover**  
**OPTICS: Infra-red (Driver only)**

| Unit   | Ammo | ROF | Range Effectiveness |   |   |   |   |   |   |    |    |    |    |    |    | Ammo Supply | ERA Mod. |    |
|--------|------|-----|---------------------|---|---|---|---|---|---|----|----|----|----|----|----|-------------|----------|----|
|        |      |     | Range in hexes      |   |   |   |   |   |   |    |    |    |    |    |    |             |          |    |
|        |      |     | 0                   | 1 | 2 | 3 | 4 | 6 | 8 | 10 | 12 | 14 | 16 | 18 | 20 |             |          | 22 |
| Badger | SA   | 2   | 3                   | 4 | 4 | 3 | 1 | — | — | —  | —  | —  | —  | —  | —  | —           | 9        | —  |

**Ratings**

**Armor Class: V**  
**Speed: 3**  
**Mobility Class: W (Wheeled)**



**Small**  
**Emplacement**  
**Excavator**

**Special Abilities: Earthmover**  
**OPTICS: Starlight (Driver Only)**

**No Armament**