

# PEERLESS CONCRETE PRODUCTS CO.

## SINCE 1959

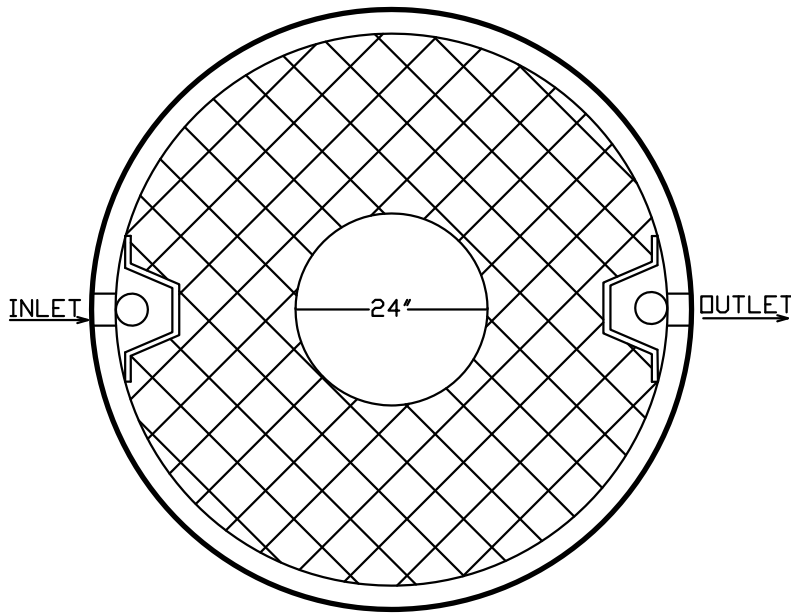
### INDEX

ITEM	PAGE
<b>Section A- <i>Septic Products (Index)</i></b>	A-1
500 Gallon Round Septic Tank	A-2
1000 Gallon Round Septic Tank	A-3
1000 Gallon Round Pump/Dosing Tank	A-4
1000 Gallon Rectangular Septic Tank	A-5
1000 Gallon Rectangular Pump Tank	A-6
1000 Gallon Round Septic Tank (Lo-Profile)	A-7
1000 Gallon Rectangular Septic Tank (Lo-Profile)	A-8
1250 Gallon Round Septic Tank	A-9
1250 Gallon Round Pump/Dosing Tank	A-10
1250 Gallon Rectangular Septic Tank	A-11
1250 Gallon Rectangular Pump Tank	A-12
1500 Gallon Round Septic Tank	A-13
1500 Gallon Round Pump/Dosing Tank	A-14
1500 Gallon Rectangular Septic Tank	A-15
1500 Gallon Rectangular Pump Tank	A-16
1500 Gallon Rectangular Septic Tank (2 Compartment)	A-17
2000 Gallon Rectangular Septic Tank (2 Compartment)	A-18
2500 Gallon Rectangular Septic Tank (2 Compartment)	A-19
3000 Gallon Rectangular Septic Tank (2 Compartment)	A-20
500 Gallon Heavy Duty Round Septic Tank	A-21
1000 Gallon Heavy Duty Round Septic Tank	A-22
1000 Gallon Heavy Duty Round Pump Tank	A-23
500 Gallon Heavy Duty Rectangular Septic Tank	A-24
1000 Gallon Heavy Duty Rectangular Septic Tank	A-25
1250 Gallon Heavy Duty Rectangular Septic Tank	A-26
1250 Gallon Heavy Duty Rectangular Septic Tank (2 Compartment)	A-27
1500 Gallon Heavy Duty Rectangular Septic Tank	A-28
1500 Gallon Heavy Duty Rectangular Septic Tank (2 Compartment)	A-29
2000 Gallon Heavy Duty Rectangular Septic Tank	A-30
2000 Gallon Heavy Duty Rectangular Septic Tank (2 Compartment)	A-31
3000 Gallon Heavy Duty Rectangular Septic Tank	A-32
3000 Gallon Heavy Duty Rectangular Septic Tank (2 Compartment)	A-33
Distribution Box Guide	A-34
5 Outlet Small Distribution Box	A-35
5 Outlet Distribution Box	A-36
7 Outlet Distribution Box	A-37
8 Outlet Distribution Box	A-38
13 Outlet Distribution Box	A-39
Light Duty Manhole Extension	A-40
Heavy Duty Manhole Extension	A-41

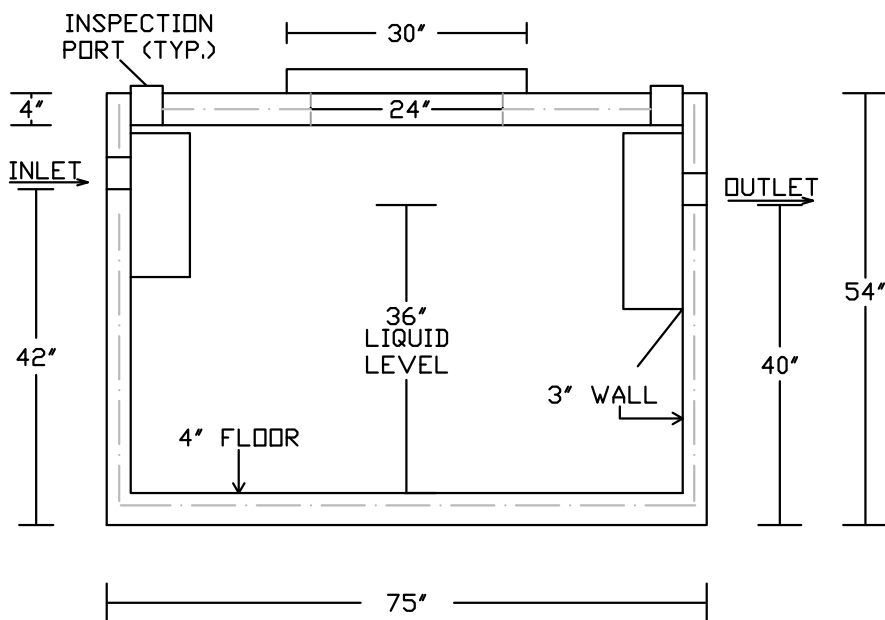
A-1

# PEERLESS CONCRETE PRODUCTS CO.

— SINCE 1959 —



PLAN VIEW



SECTION VIEW

## 500 GALLON ROUND SEPTIC TANK (AS BUILT BY PEERLESS)

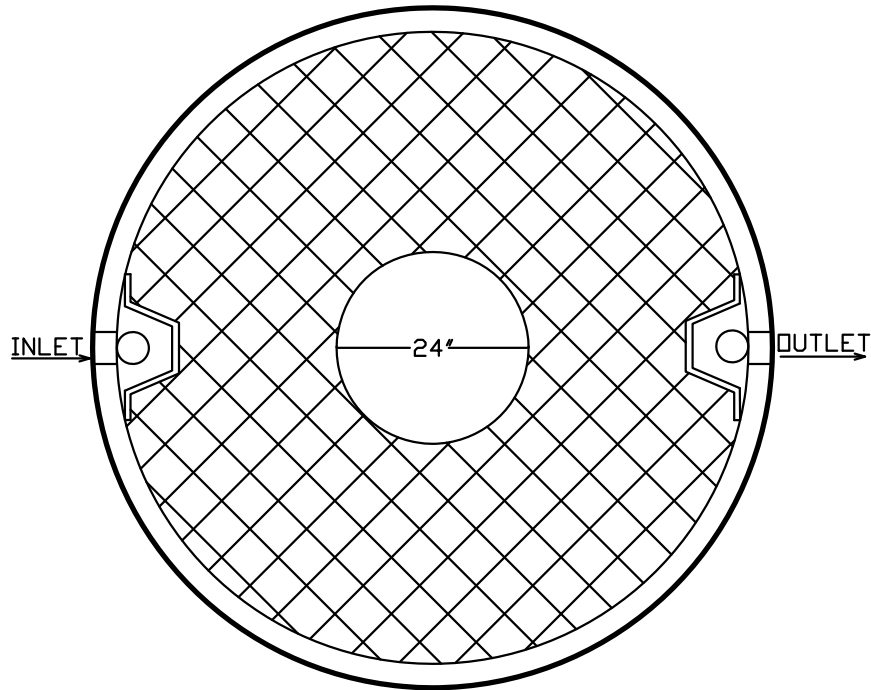
### NOTES:

- NON-TRAFFIC RATED
- CONCRETE 4,500PSI @ 28 DAYS
- REINFORCING: DETAILS FURNISHED UPON REQUEST
- SCALE: 1/2"=1'-0"
- 6' MAX. BACKFILL ON TOP OF TANK
- INTERIOR COATED 2 COATS OF APPROPRIATE SEALER
- PLASTIC BAFFLES, GAS DEFLECTOR- OUTLET
- WEIGHT: 6000LBS ±

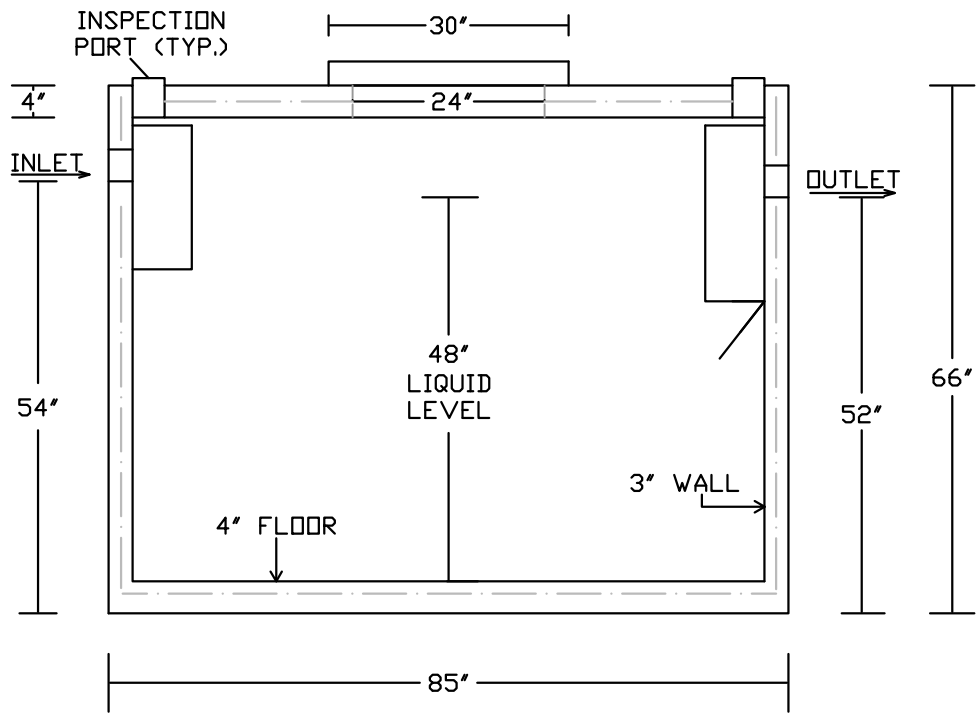
**A-2**

# PEERLESS CONCRETE PRODUCTS CO.

— SINCE 1959 —



PLAN VIEW



SECTION VIEW

## 1000 GALLON ROUND SEPTIC TANK (AS BUILT BY PEERLESS)

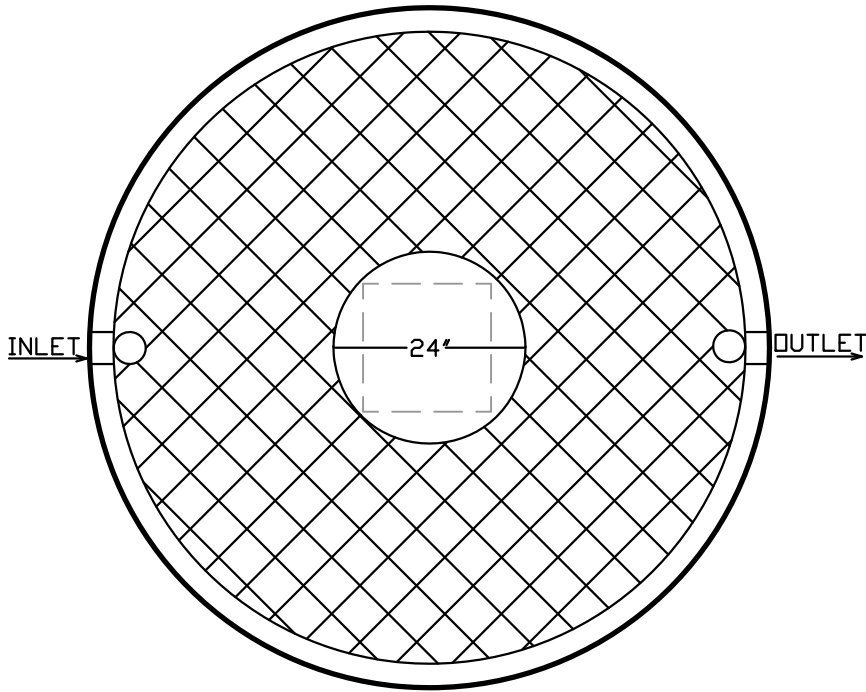
### NOTES:

- NON-TRAFFIC RATED
- CONCRETE 4,500PSI @ 28 DAYS
- REINFORCING: DETAILS FURNISHED UPON REQUEST
- SCALE: 1/2"=1'-0"
- 6' MAX. BACKFILL ON TOP OF TANK
- INTERIOR COATED 2 COATS OF APPROPRIATE SEALER
- PLASTIC BAFFLES, GAS DEFLECTOR- OUTLET
- WEIGHT: 9000LBS ±

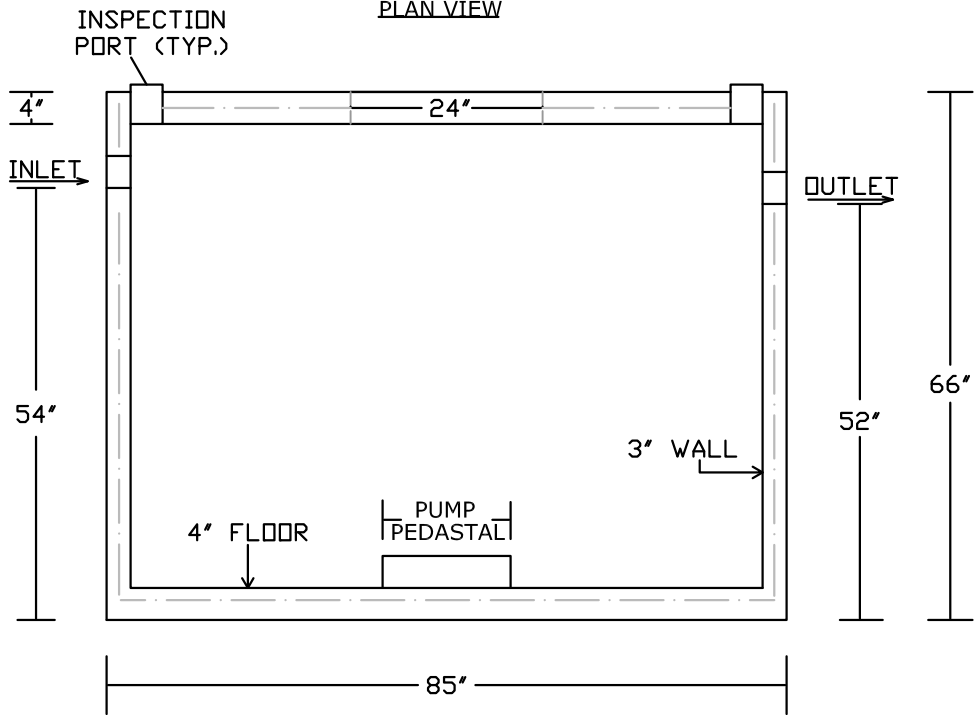
**A-3**

**PEERLESS CONCRETE PRODUCTS CO.**

—SINCE 1959—



PLAN VIEW



SECTION VIEW

**1000 GALLON ROUND PUMP/ DOSING TANK**  
(AS BUILT BY PEERLESS)

- NON-TRAFFIC RATED
- CONCRETE 4,500PSI @ 28 DAYS
- REINFORCING: DETAILS FURNISHED UPON REQUEST
- SCALE: 1/2"=1'-0"
- 6' MAX. BACKFILL ON TOP OF TANK

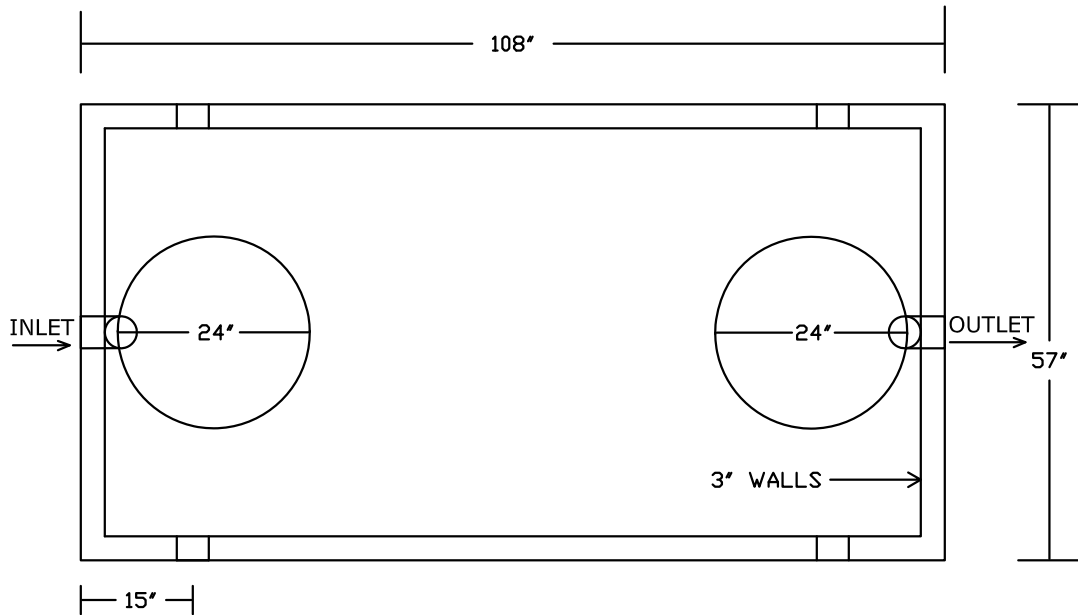
**NOTES:**

- INTERIOR COATED 2 COATS OF APPROPRIATE SEALER
- PLASTIC BAFFLES, GAS DEFLECTOR- OUTLET
- WEIGHT: 9000LBS ±

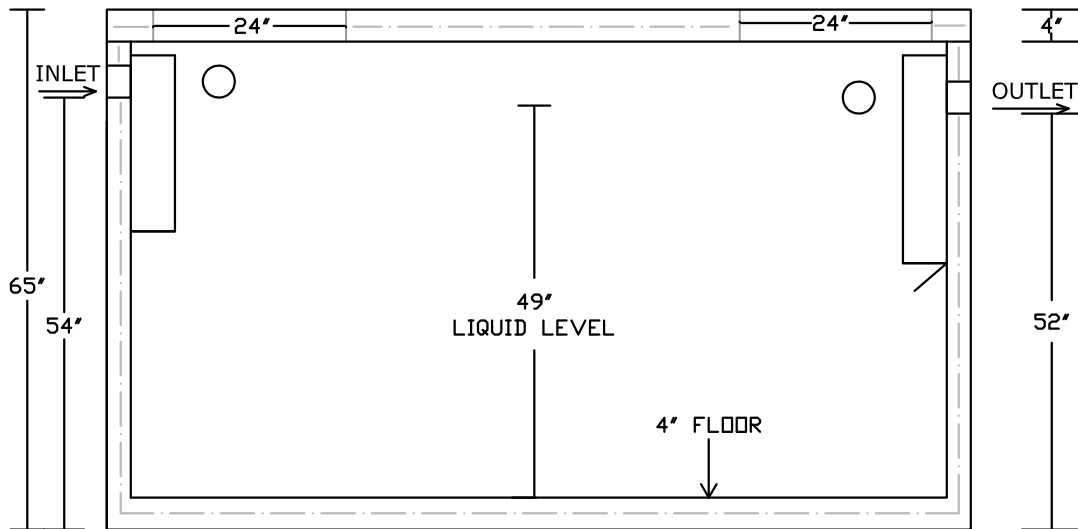
**A-4**

# PEERLESS CONCRETE PRODUCTS CO.

—SINCE 1959—



PLAN VIEW



SECTION VIEW

## 1000 GALLON RECTANGULAR SEPTIC TANK

(AS BUILT BY PEERLESS)

### NOTES:

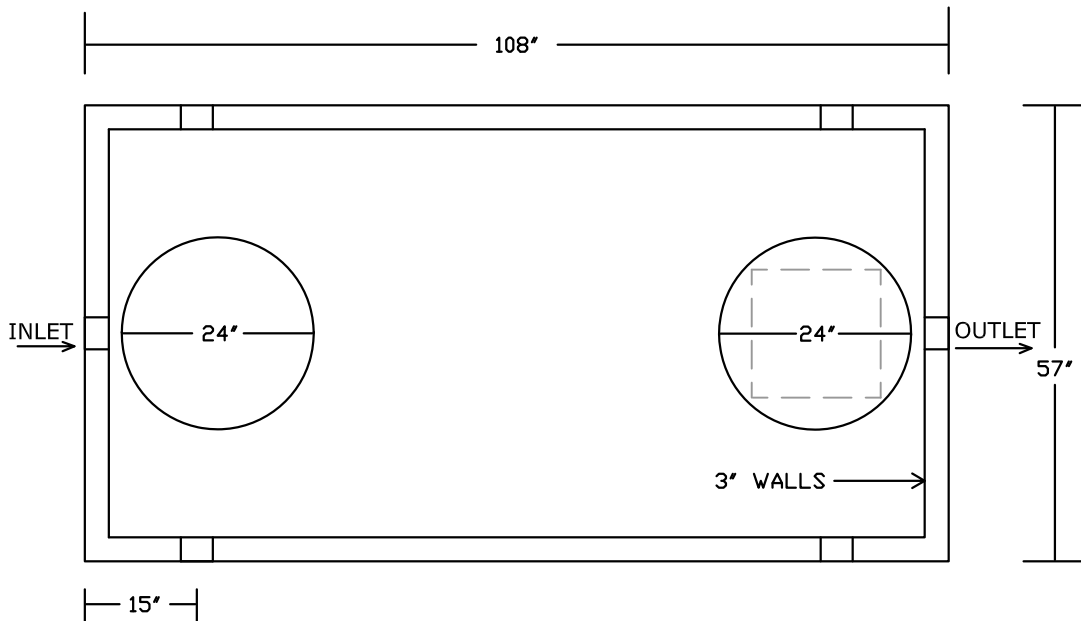
- NON-TRAFFIC RATED
- CONCRETE: 4500PSI @ 28 DAYS
- REINFORCING: DETAILS FURNISHED UPON REQUEST
- SCALE: 1/2"=1'-0"
- 4' MAX. BACKFILL ON TOP OF TANK

- INTERIOR COATED 2 COATS OF APPROPRIATE SEALER
- PLASTIC Baffles, GAS DEFLECTOR- OUTLET
- TOTAL WEIGHT: 9,250 LBS.±
- TOTAL WGT OF TANK W/O LID: 7,100 LBS.±

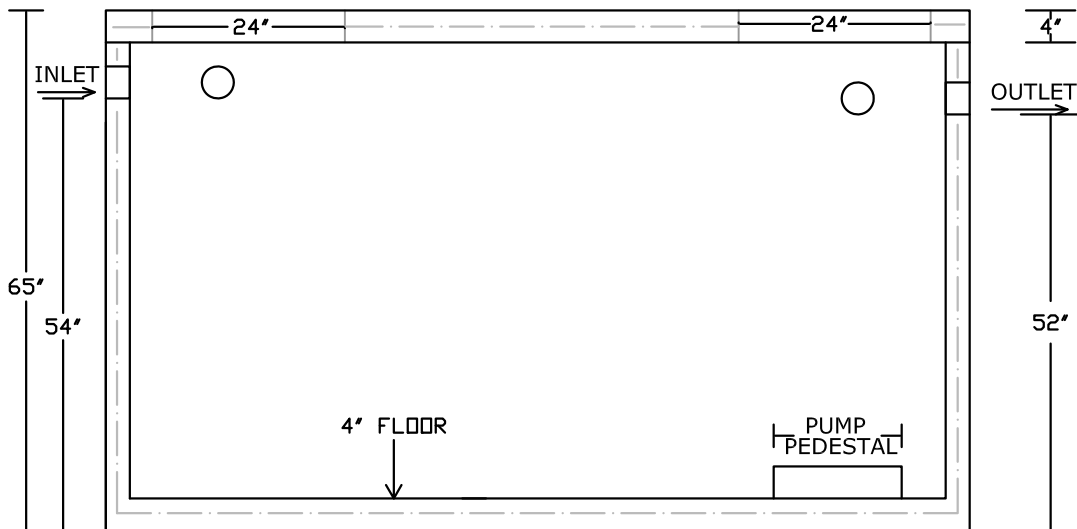
**A-5**

# PEERLESS CONCRETE PRODUCTS CO.

—SINCE 1959—



PLAN VIEW



SECTION VIEW

## 1000 GALLON RECTANGULAR PUMP TANK (AS BUILT BY PEERLESS)

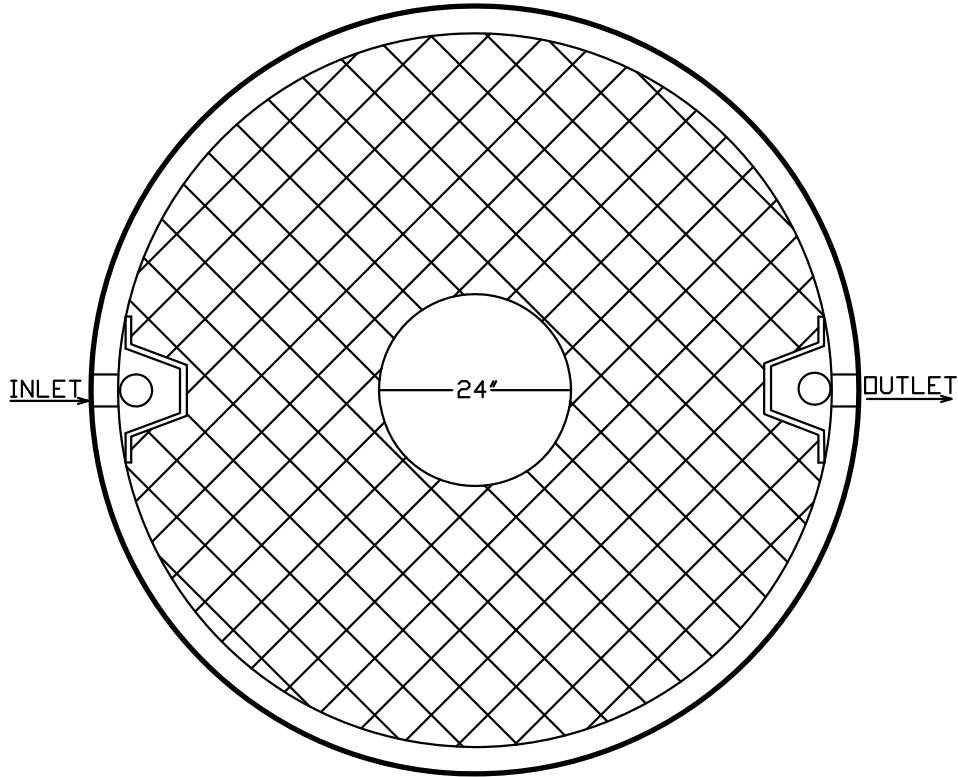
### NOTES:

- NON-TRAFFIC RATED
- CONCRETE: 4500PSI @ 28 DAYS
- REINFORCING: DETAILS FURNISHED UPON REQUEST
- SCALE: 1/2"=1'-0"
- 4' MAX. BACKFILL ON TOP OF TANK
- INTERIOR COATED 2 COATS OF APPROPRIATE SEALER
- TOTAL WEIGHT:9,250 LBS.±
- TOTAL WGT OF TANK W/O LID: 7,100 LBS.±

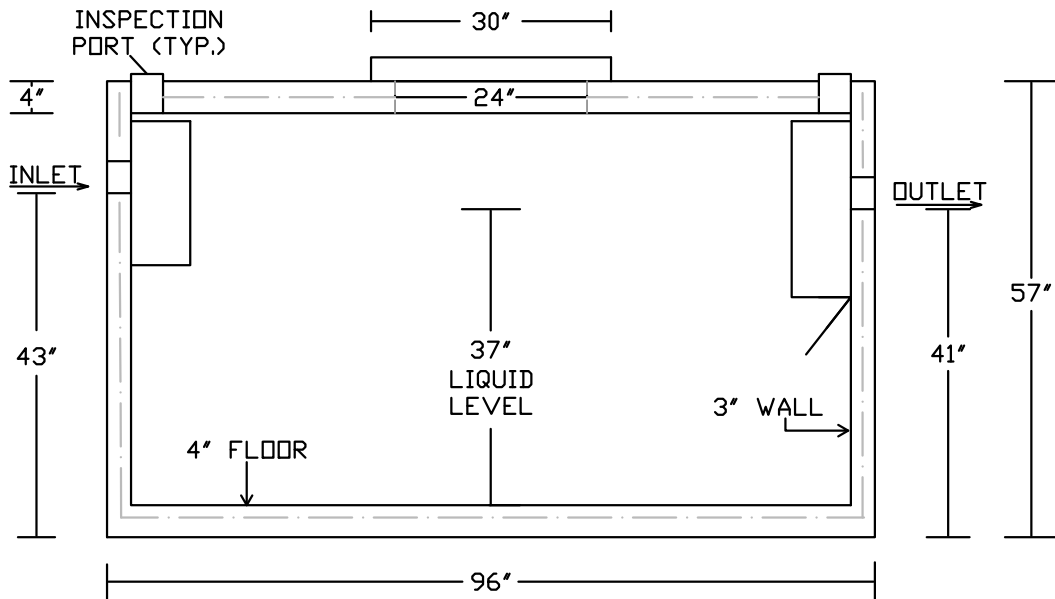
**A-6**

# PEERLESS CONCRETE PRODUCTS CO.

—SINCE 1959—



PLAN VIEW



SECTION VIEW

## 1000 GALLON ROUND SEPTIC TANK (LO-PROFILE) (AS BUILT BY PEERLESS)

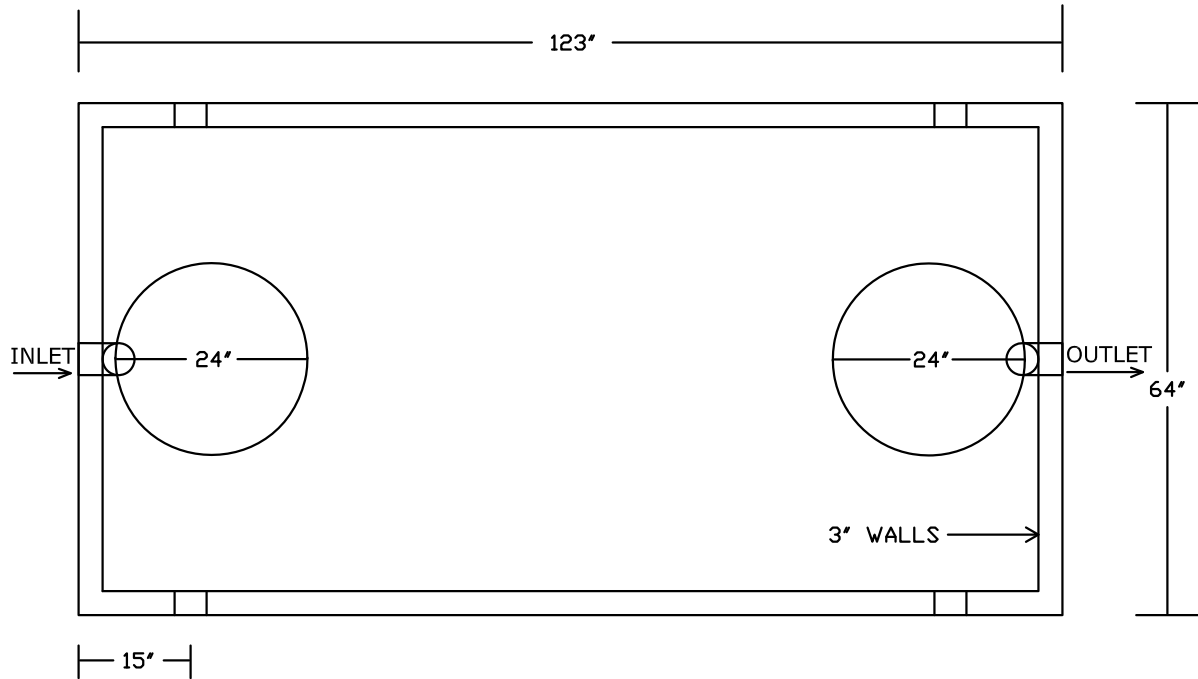
### NOTES:

- NON-TRAFFIC RATED
- CONCRETE 4,500PSI @ 28 DAYS
- REINFORCING: DETAILS FURNISHED UPON REQUEST
- SCALE: 1/2"=1'-0"
- 6' MAX. BACKFILL ON TOP OF TANK
- INTERIOR COATED 2 COATS OF APPROPRIATE SEALER
- PLASTIC BAFFLES, GAS DEFLECTOR- OUTLET
- WEIGHT: 9000LBS ±

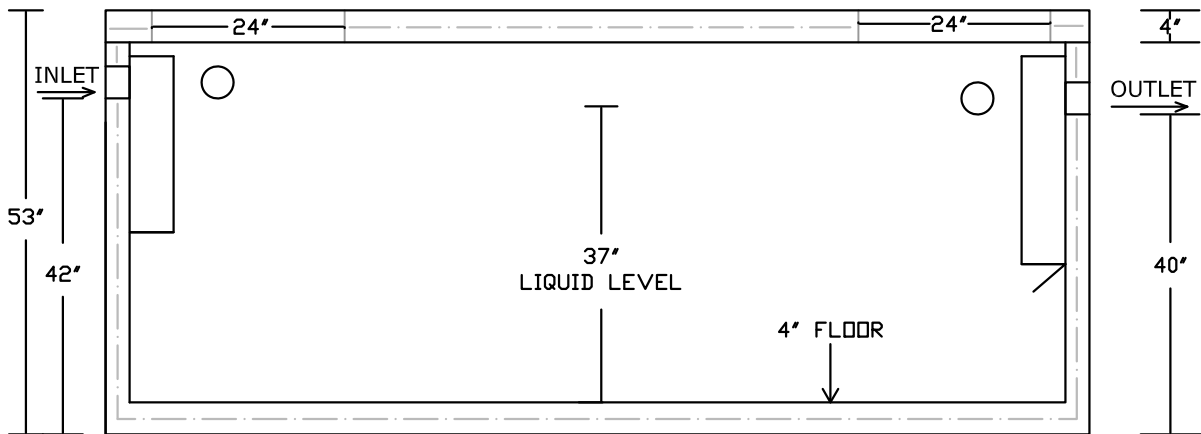
**A-7**

# PEERLESS CONCRETE PRODUCTS CO.

—SINCE 1959—



PLAN VIEW



SECTION VIEW

## 1000 GALLON RECTANGULAR SEPTIC TANK (LO-PROFILE) (AS BUILT BY PEERLESS)

### NOTES:

- NON-TRAFFIC RATED
- CONCRETE: 4500PSI @ 28 DAYS
- REINFORCING: DETAILS FURNISHED UPON REQUEST
- SCALE: 1/2"=1'-0"
- 4' MAX. BACKFILL ON TOP OF TANK

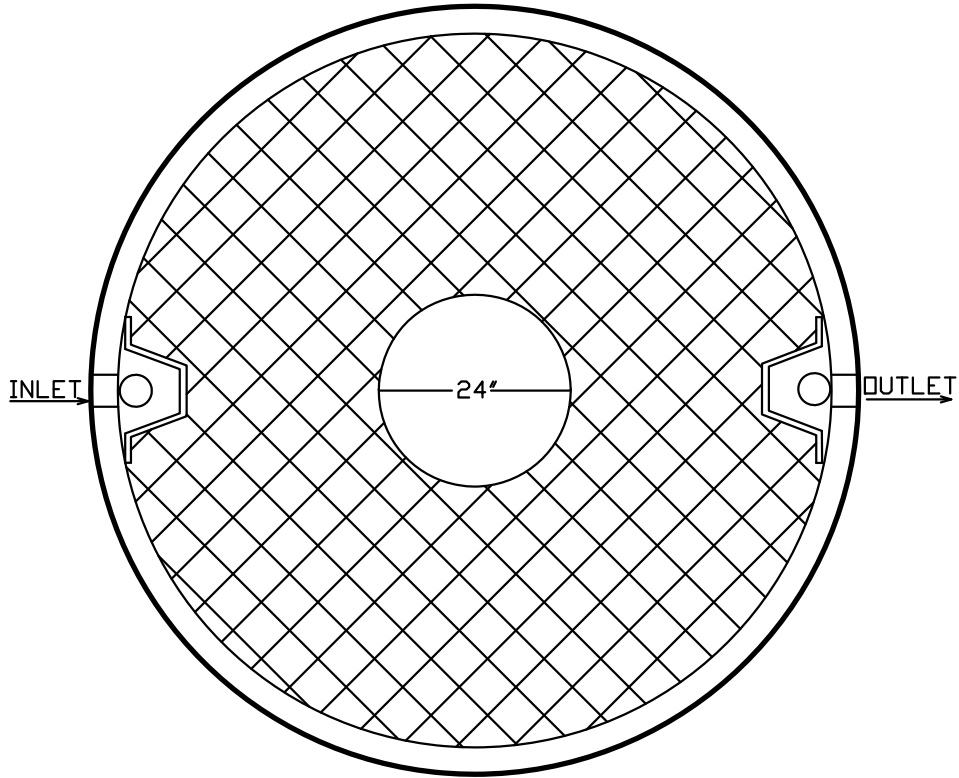
- INTERIOR COATED 2 COATS OF APPROPRIATE SEALER
- PLASTIC BAFFLES, GAS DEFLECTOR- OUTLET
- TOTAL WEIGHT: 9,970 LBS.±
- TOTAL WGT OF TANK W/O LID:7,200 LBS.±

**A-8**

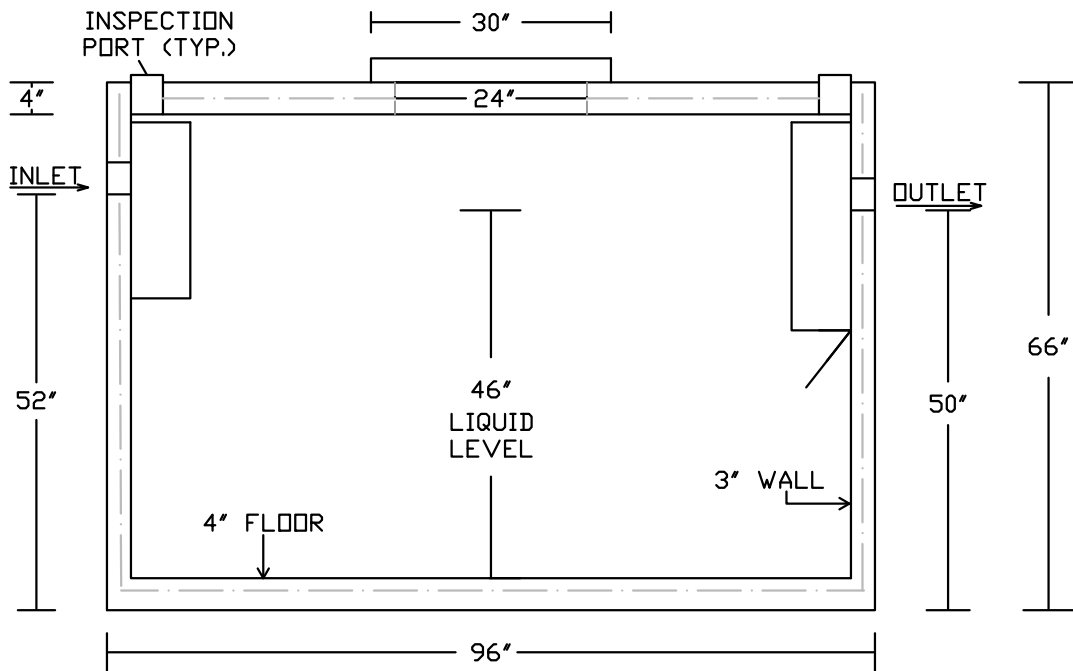


**PEERLESS CONCRETE PRODUCTS CO.**

— SINCE 1959 —



PLAN VIEW



SECTION VIEW

**1250 GALLON ROUND SEPTIC TANK**

(AS BUILT BY PEERLESS)

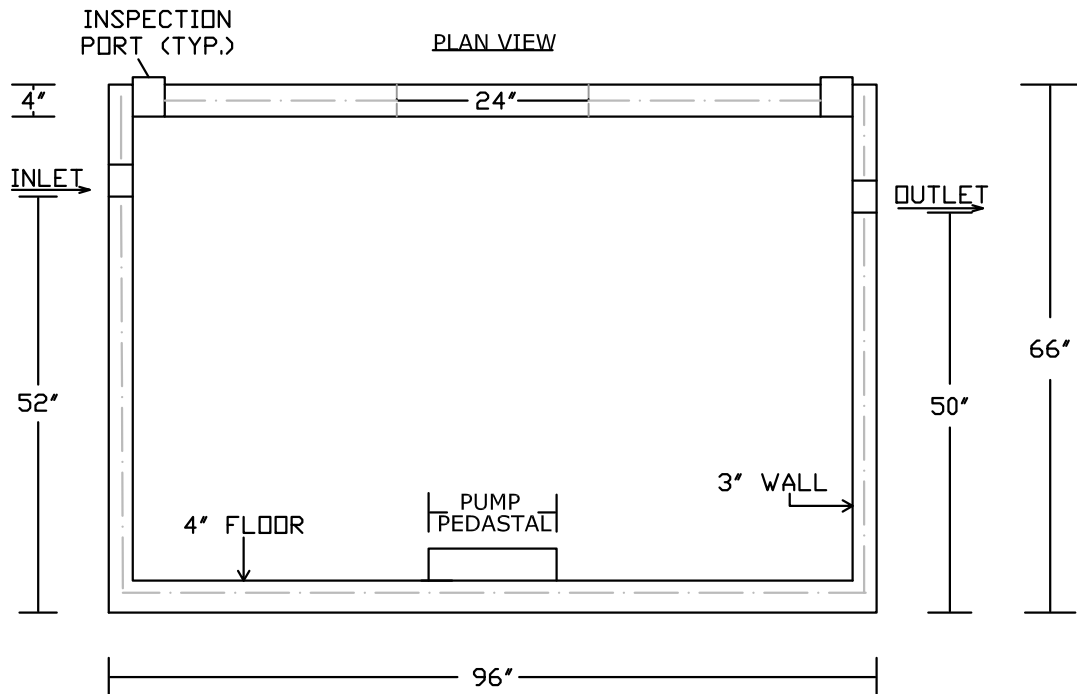
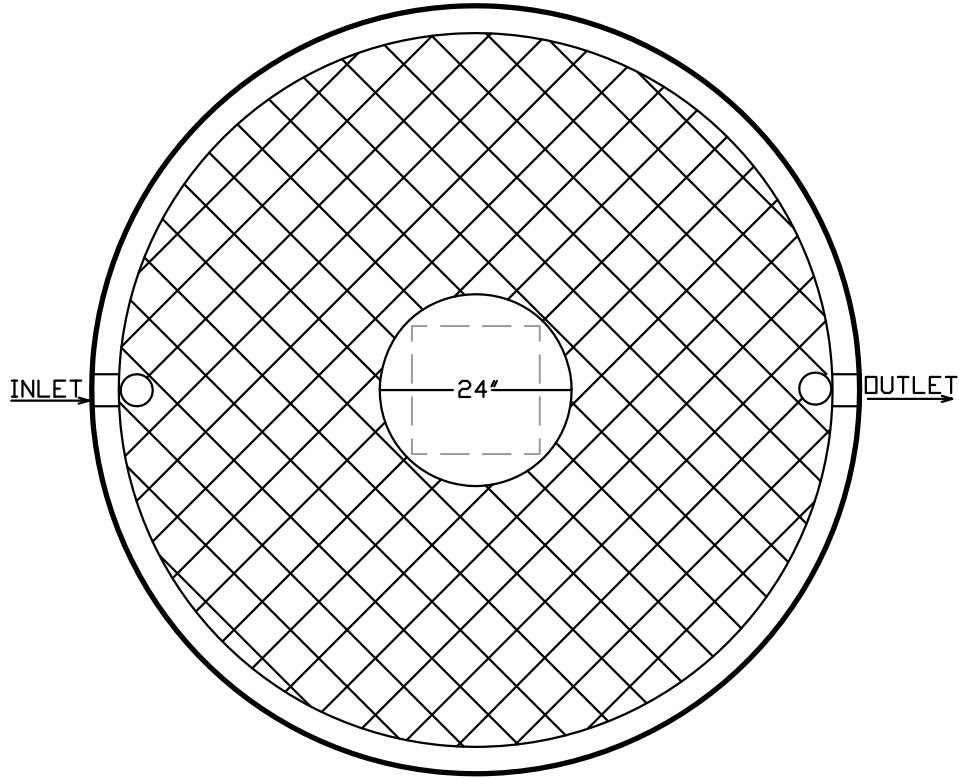
NOTES:

- NON-TRAFFIC RATED
- CONCRETE 4,500PSI @ 28 DAYS
- REINFORCING: DETAILS FURNISHED UPON REQUEST
- SCALE: 1/2"=1'-0"
- 6' MAX. BACKFILL ON TOP OF TANK
- INTERIOR COATED 2 COATS OF APPROPRIATE SEALER
- PLASTIC BAFFLES, GAS DEFLECTOR-OUTLET
- WEIGHT: 10,000LBS ±

**A-9**

**PEERLESS CONCRETE PRODUCTS CO.**

—SINCE 1959—



**1250 GALLON ROUND PUMP/ DOSING TANK**  
(AS BUILT BY PEERLESS)

**NOTES:**

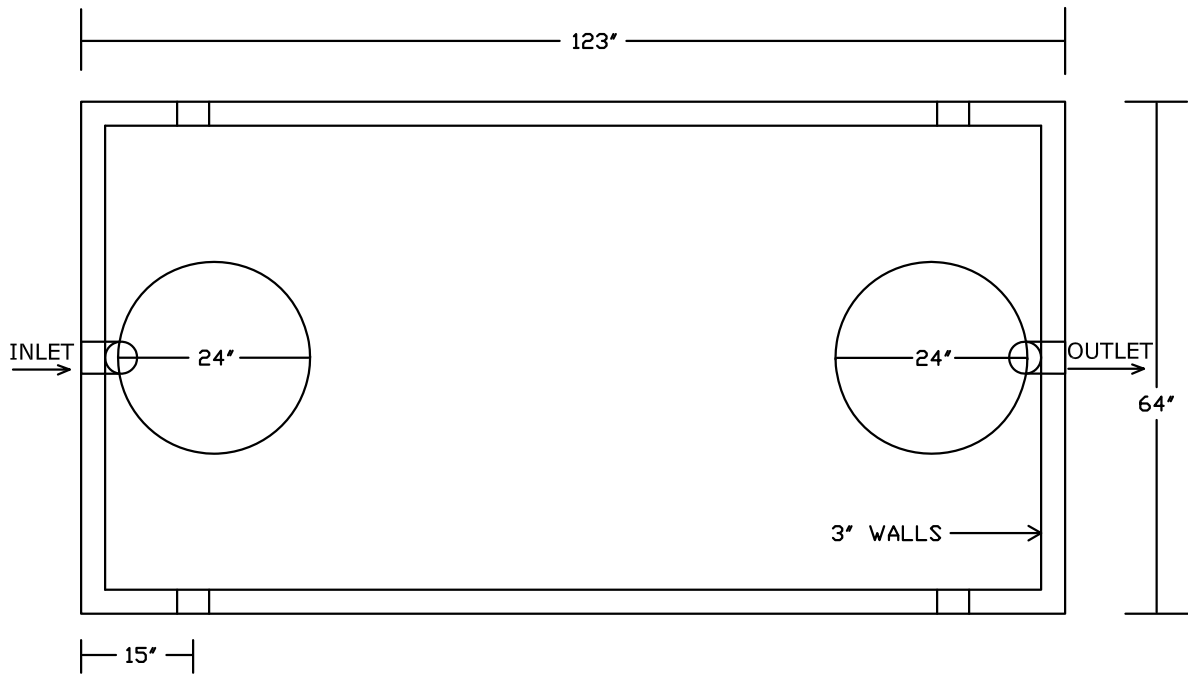
- NON-TRAFFIC RATED
- CONCRETE 4,500PSI @ 28 DAYS
- REINFORCING: DETAILS FURNISHED UPON REQUEST
- SCALE: 1/2"=1'-0"
- 6' MAX. BACKFILL ON TOP OF TANK

- INTERIOR COATED 2 COATS OF APPROPRIATE SEALER
- PLASTIC BAFFLES, GAS DEFLECTOR- OUTLET
- WEIGHT: 10,000LBS ±

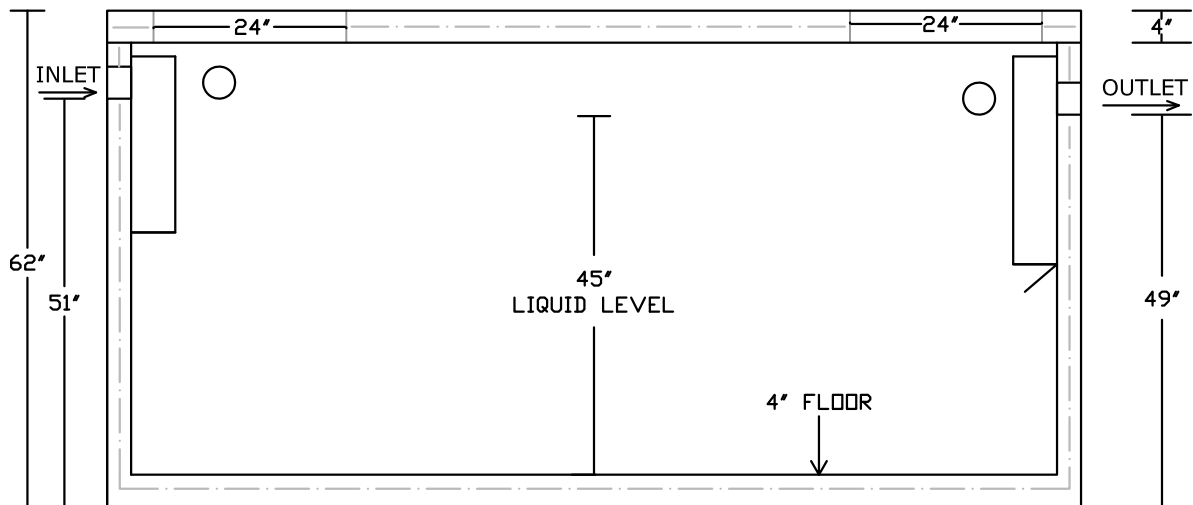
**A-10**

# PEERLESS CONCRETE PRODUCTS CO.

—SINCE 1959—



PLAN VIEW



SECTION VIEW

## 1250 GALLON RECTANGULAR SEPTIC TANK (AS BUILT BY PEERLESS)

### NOTES:

- NON-TRAFFIC RATED
- CONCRETE: 4500PSI @ 28 DAYS
- REINFORCING: DETAILS FURNISHED UPON REQUEST
- SCALE: 1/2"=1'-0"
- 4' MAX. BACKFILL ON TOP OF TANK

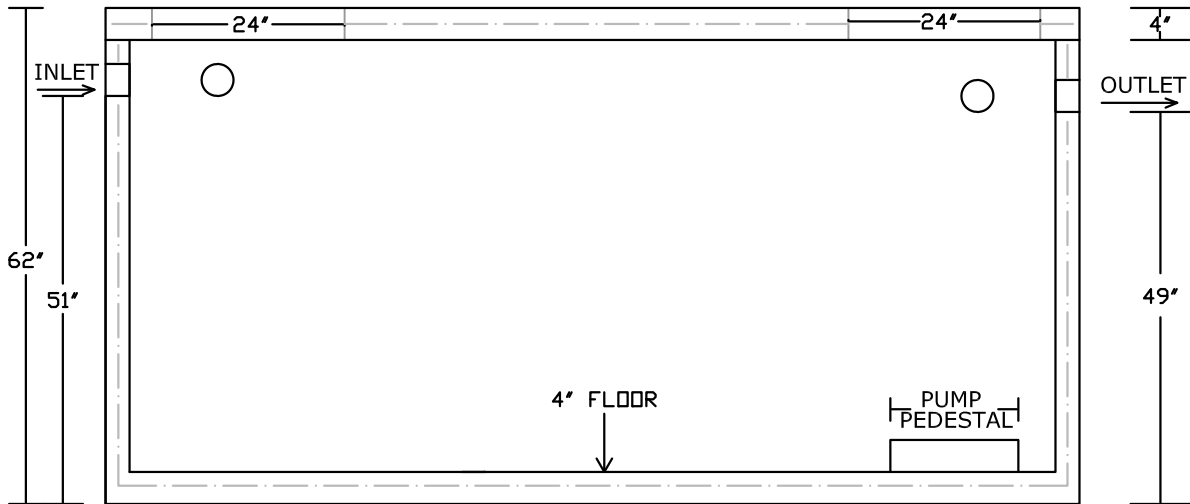
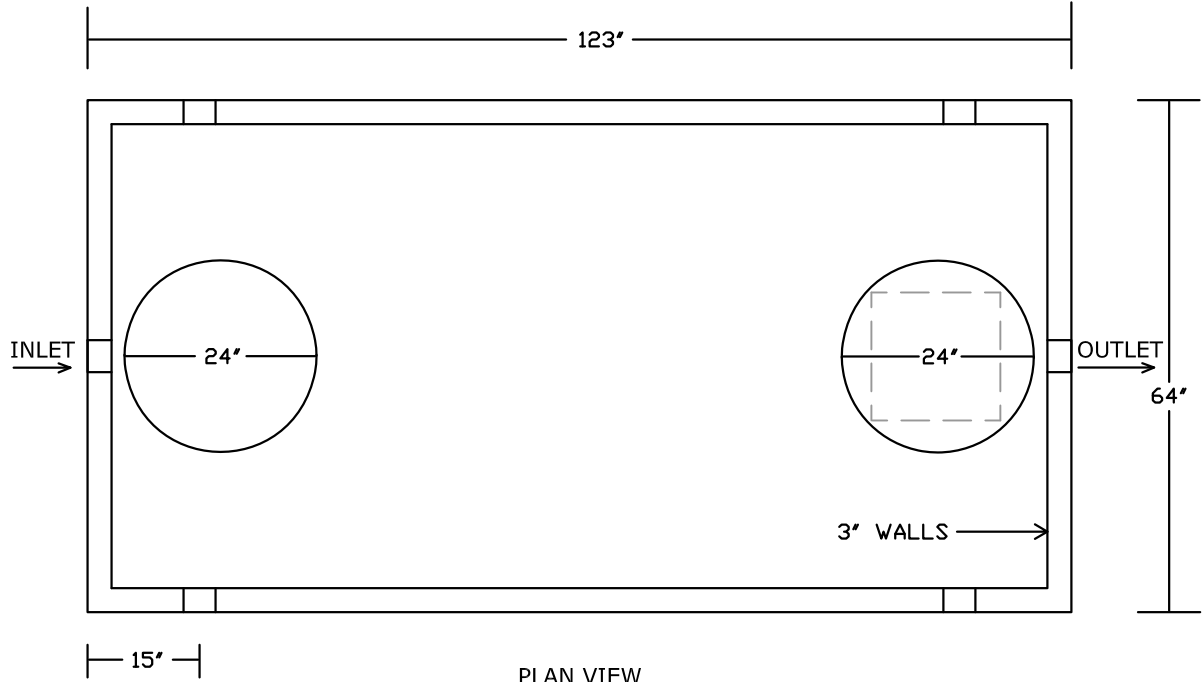
- INTERIOR COATED 2 COATS OF APPROPRIATE SEALER
- PLASTIC BAFFLES, GAS DEFLECTOR- OUTLET
- TOTAL WEIGHT: 10,850 LBS. ±
- TOTAL WGT OF TANK W/O LID: 8,100 LBS. ±

**A-11**

**973.838.3060p - www.peerlessconcrete.com - 973.838.3385f**  
**Butler, NJ**

# PEERLESS CONCRETE PRODUCTS CO.

— SINCE 1959 —



## 1250 GALLON RECTANGULAR PUMP TANK

(AS BUILT BY PEERLESS)

### NOTES:

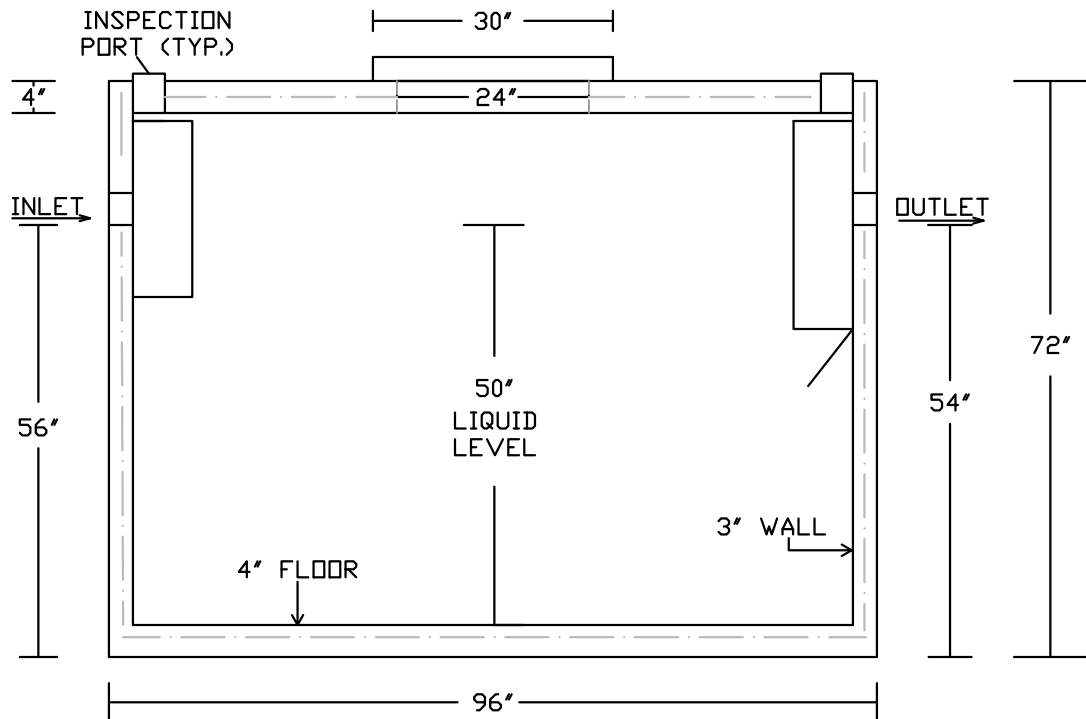
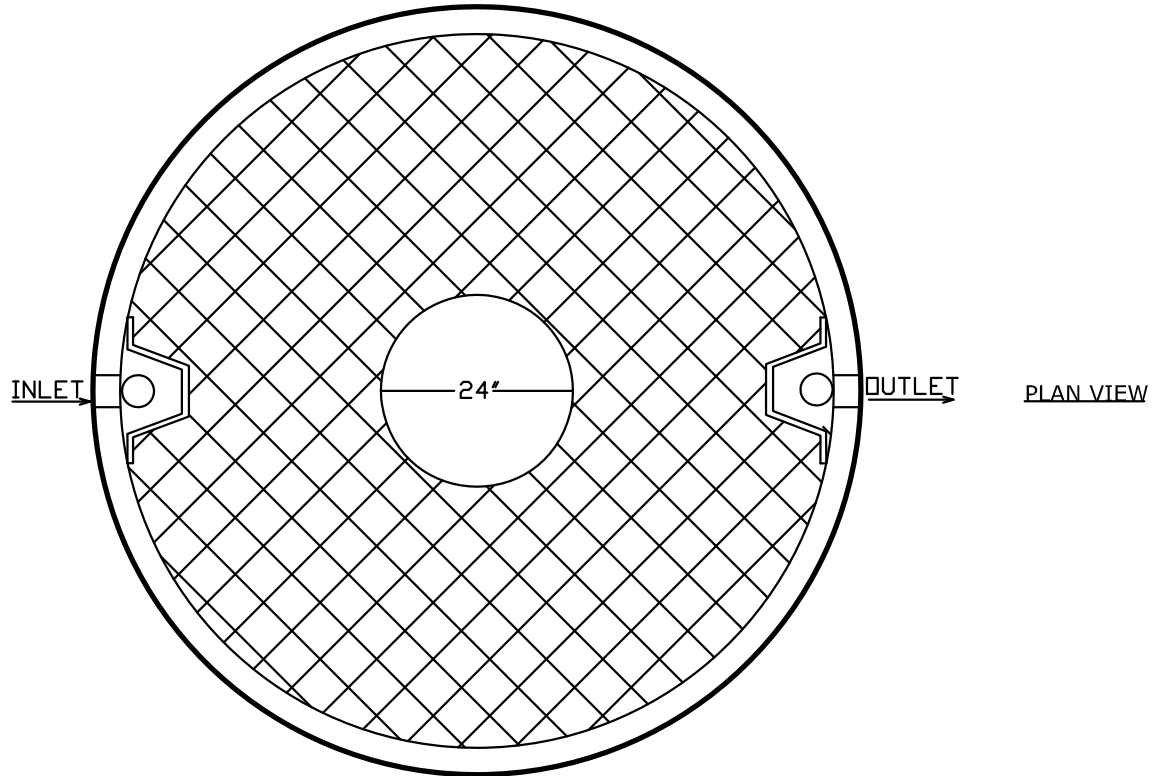
- NON-TRAFFIC RATED
- CONCRETE: 4500PSI @ 28 DAYS
- REINFORCING: DETAILS FURNISHED UPON REQUEST
- SCALE: 1/2"=1'-0"
- 4' MAX. BACKFILL ON TOP OF TANK

- INTERIOR COATED 2 COATS OF APPROPRIATE SEALER
- TOTAL WEIGHT: 10,850 LBS. ±
- TOTAL WGT OF TANK W/O LID: 8,100 LBS. ±

**A-12**

# PEERLESS CONCRETE PRODUCTS CO.

— SINCE 1959 —



## 1500 GALLON ROUND SEPTIC TANK

(AS BUILT BY PEERLESS)

### NOTES:

- NON-TRAFFIC RATED
- CONCRETE 4,500PSI @ 28 DAYS
- REINFORCING: DETAILS FURNISHED UPON REQUEST
- SCALE: 1/2"=1'-0"
- 6' MAX. BACKFILL ON TOP OF TANK
- INTERIOR COATED 2 COATS OF APPROPRIATE SEALER
- PLASTIC BAFFLES, GAS DEFLECTOR- OUTLET
- WEIGHT: 12,000LBS ±

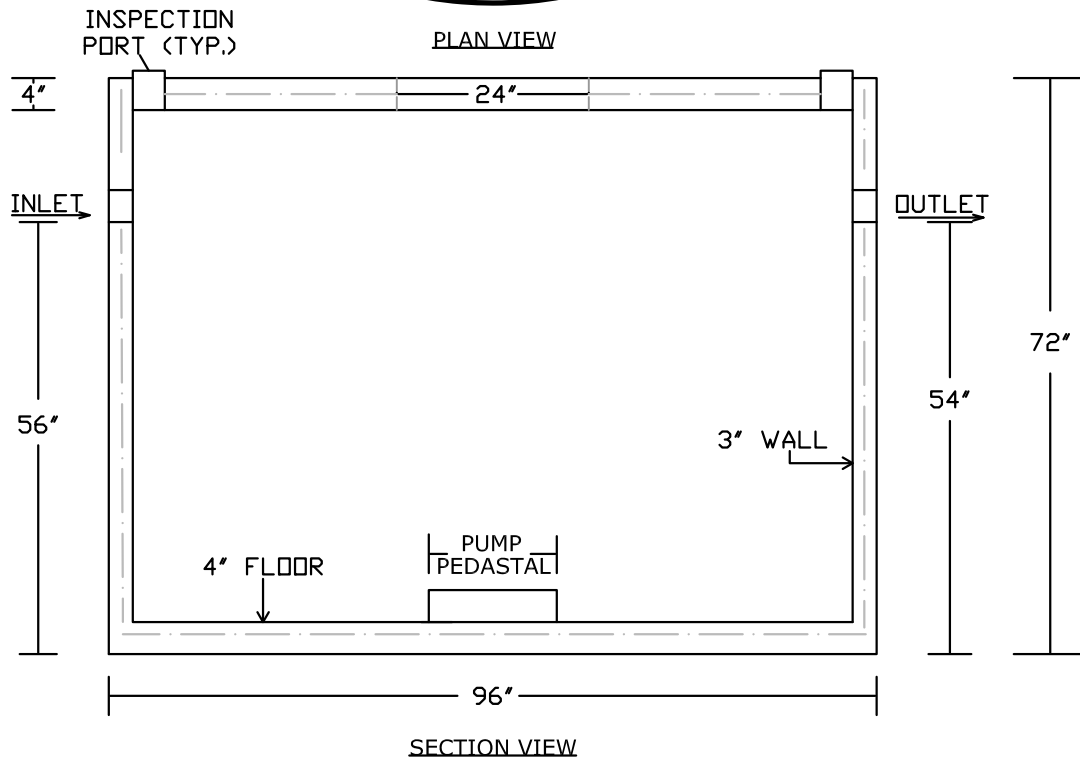
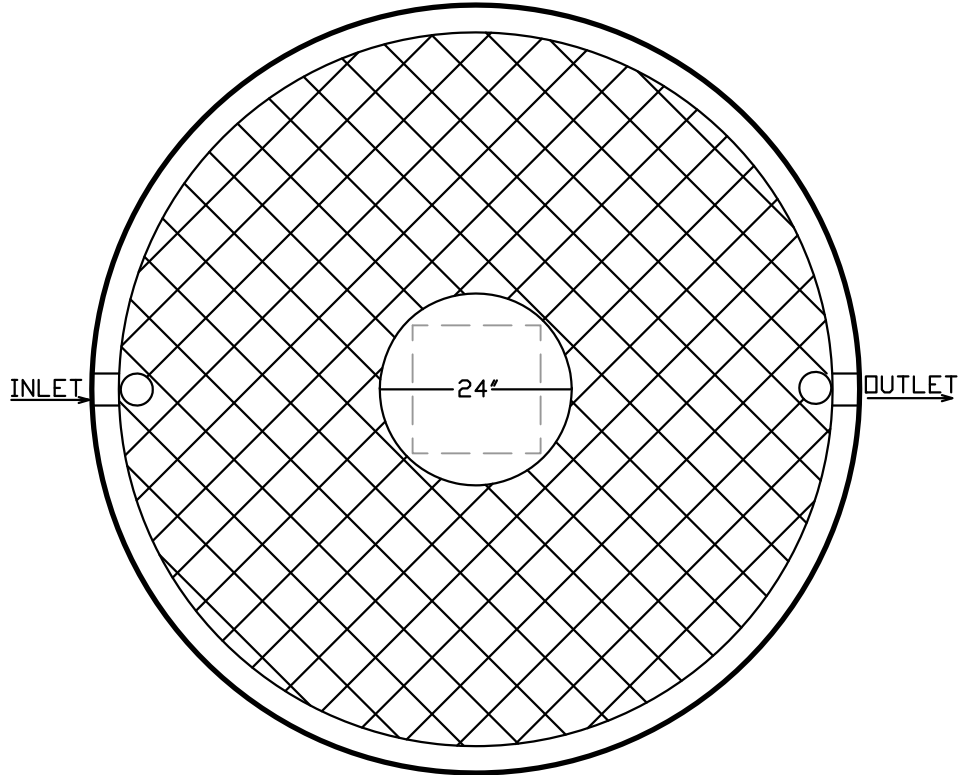
**A-13**

973.838.3060p - [www.peerlessconcrete.com](http://www.peerlessconcrete.com) - 973.838.3385f

Butler, NJ

# PEERLESS CONCRETE PRODUCTS CO.

—SINCE 1959—



## 1500 GALLON ROUND PUMP/ DOSING TANK

(AS BUILT BY PEERLESS)

### NOTES:

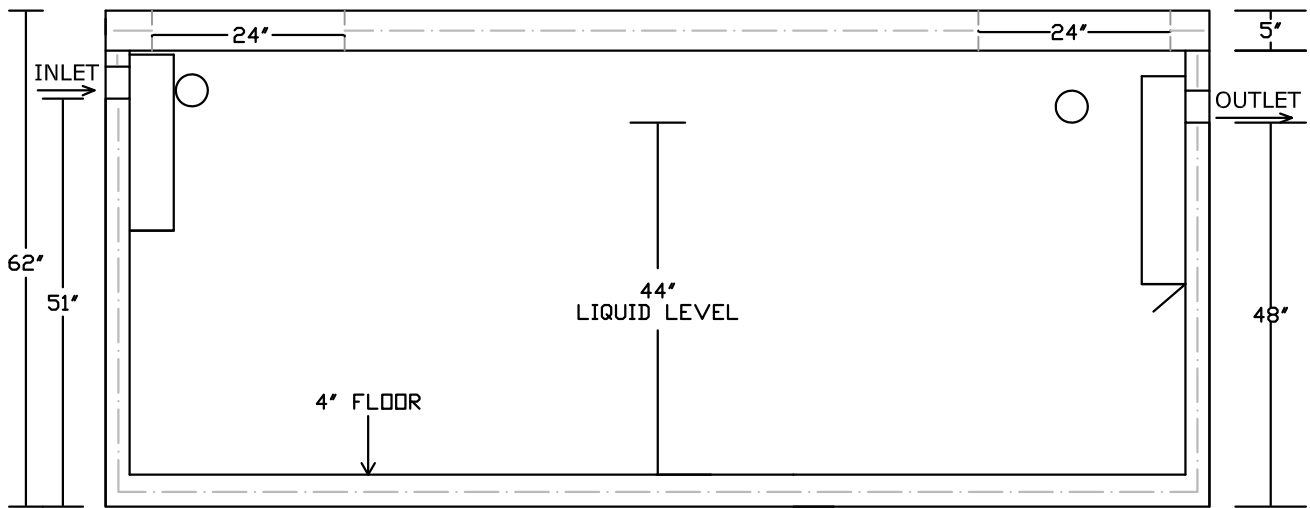
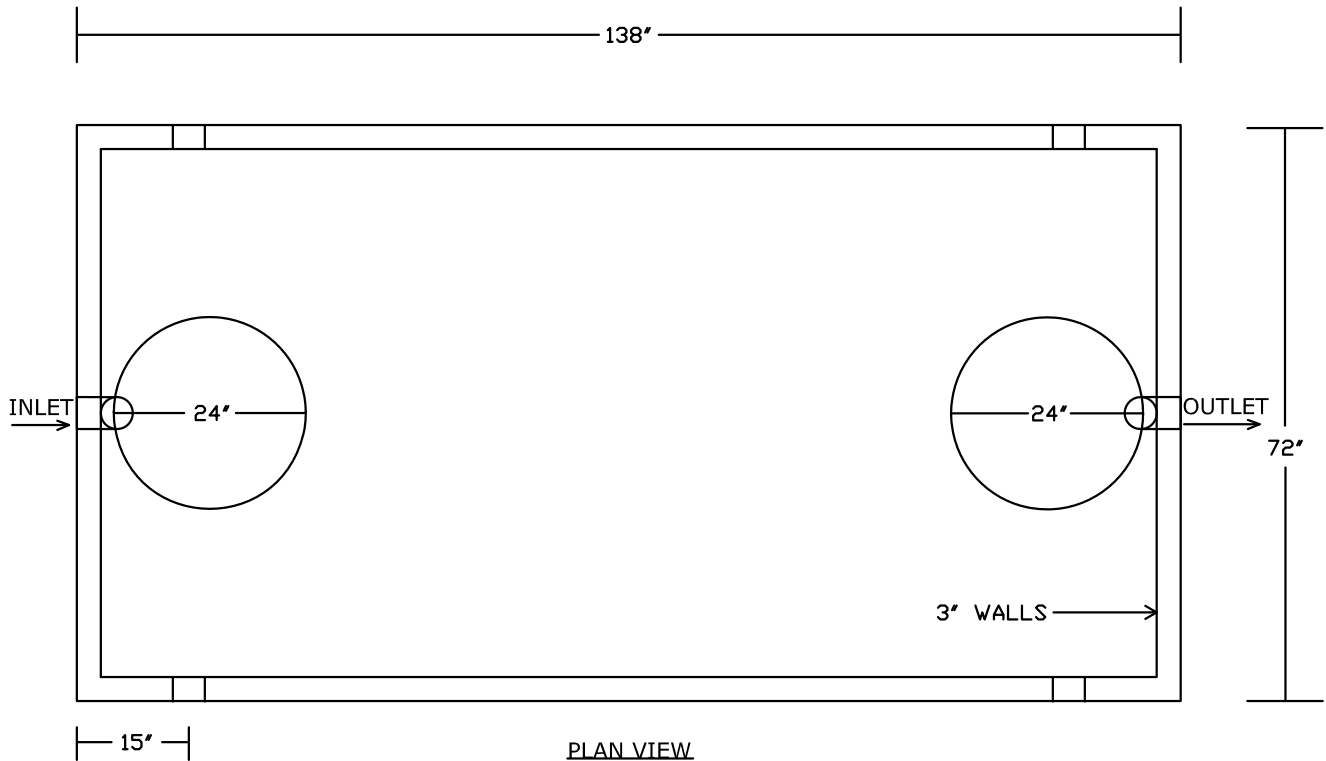
- NON-TRAFFIC RATED
- CONCRETE 4,500PSI @ 28 DAYS
- REINFORCING: DETAILS FURNISHED UPON REQUEST
- SCALE: 1/2"=1'-0"

- 6' MAX. BACKFILL ON TOP OF TANK
- INTERIOR COATED 2 COATS OF APPROPRIATE SEALER
- WEIGHT: 12,000LBS±

**A-14**

**PEERLESS CONCRETE PRODUCTS CO.**

—SINCE 1959—



**1500 GALLON RECTANGULAR SEPTIC TANK**  
(AS BUILT BY PEERLESS)

NOTES:

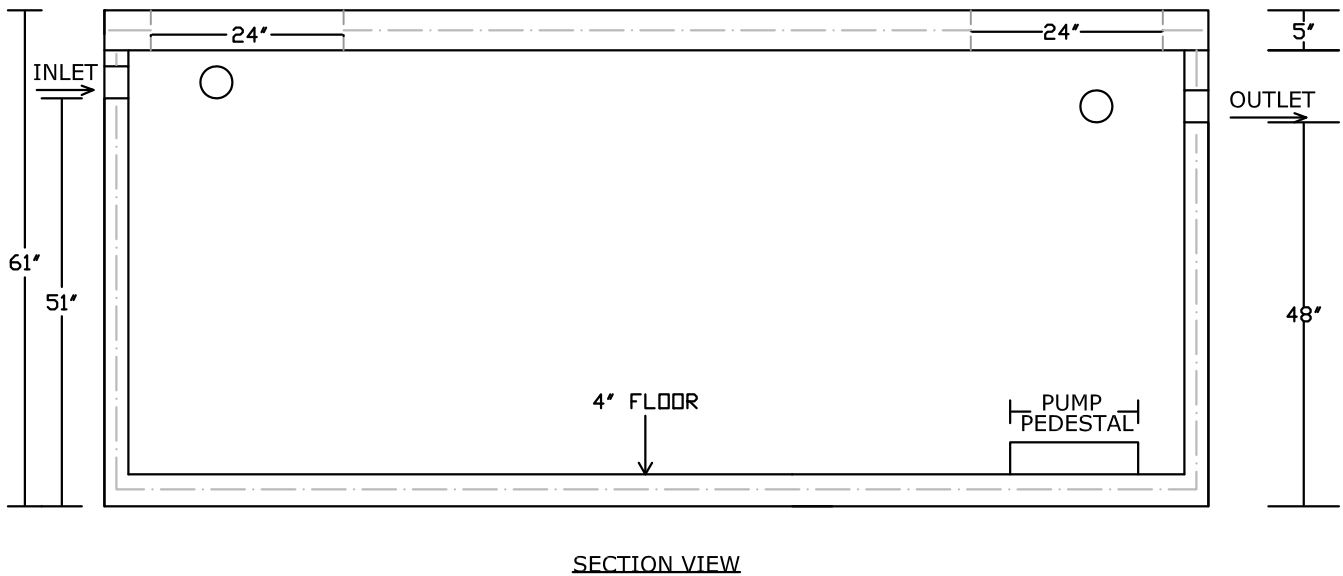
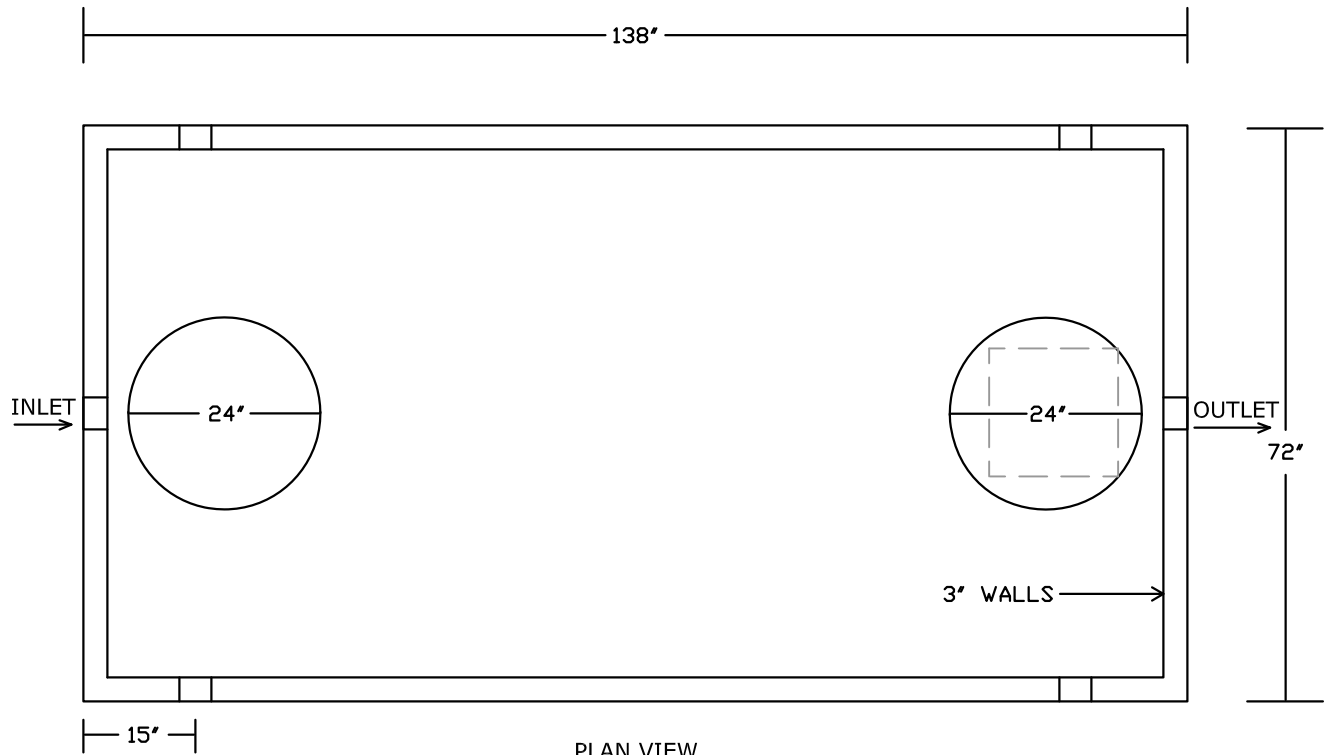
- NON- TRAFFIC RATED
- CONCRETE: 4500PSI @ 28 DAYS
- REINFORCING: DETAILS FURNISHED UPON REQUEST
- SCALE: 1/2"=1'-0"
- 4' MAX. BACKFILL ON TOP OF TANK

- INTERIOR COATED 2 COATS OF APPROPRIATE SEALER
- PLASTIC BAFFLES, GAS DEFLECTOR- OUTLET
- TOTAL WEIGHT: 13,800 LBS.±
- TOTAL WGT OF TANK W/O LID: 9,400 LBS.±

**A-15**

# PEERLESS CONCRETE PRODUCTS CO.

—SINCE 1959—



## 1500 GALLON RECTANGULAR PUMP TANK (AS BUILT BY PEERLESS)

### NOTES:

- NON-TRAFFIC RATED
- CONCRETE: 4500PSI @ 28 DAYS
- REINFORCING: DETAILS FURNISHED UPON REQUEST
- SCALE: 1/2"=1'-0"
- 4' MAX. BACKFILL ON TOP OF TANK

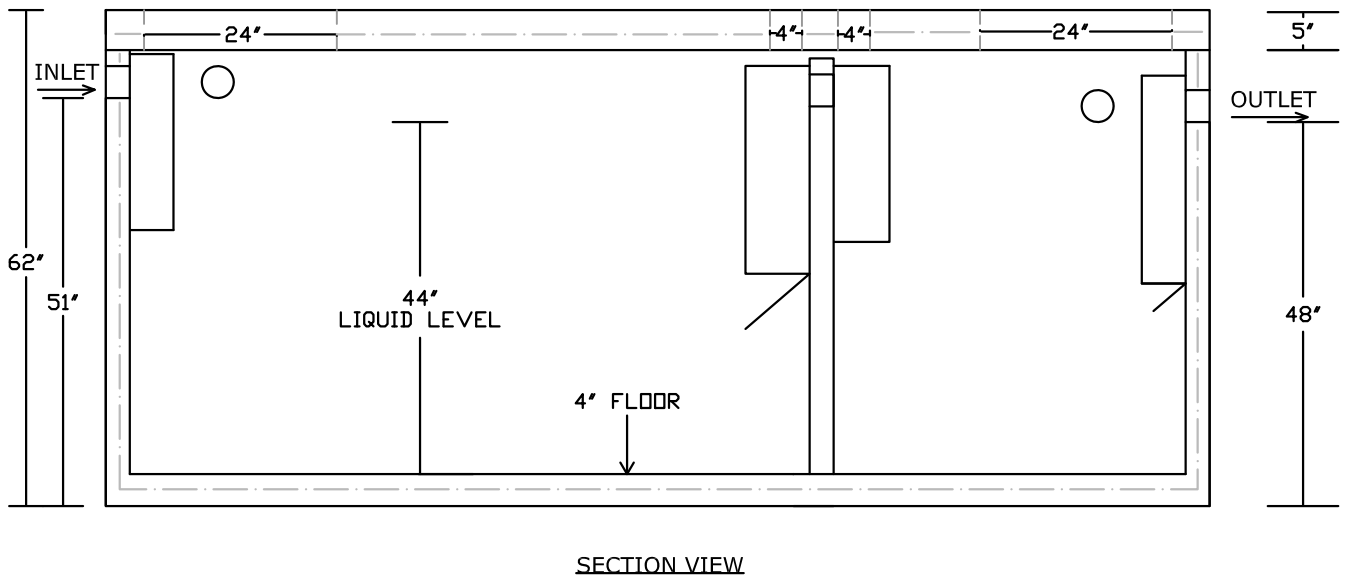
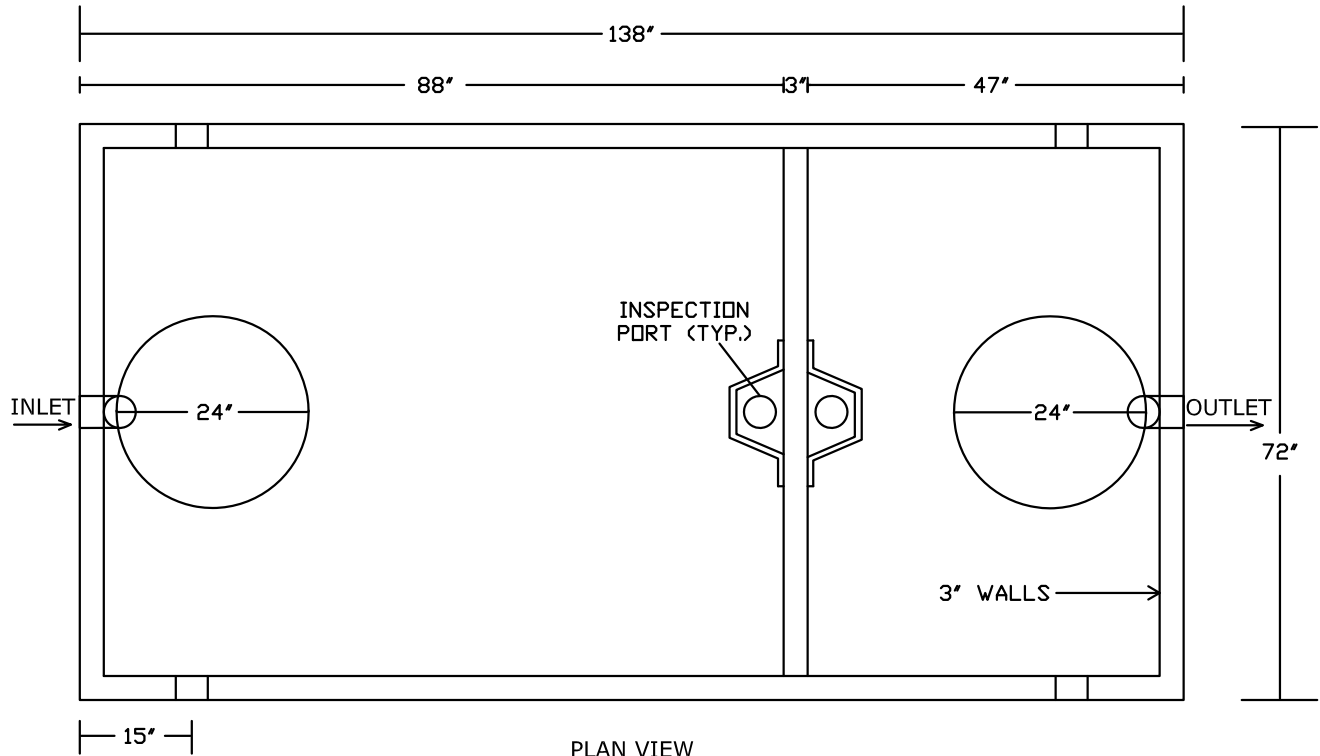
- INTERIOR COATED 2 COATS OF APPROPRIATE SEALER
- TOTAL WEIGHT: 13,800 LBS.±
- TOTAL WGT OF TANK W/O LID: 9,400 LBS.±

**A-16**



**PEERLESS CONCRETE PRODUCTS CO.**

—SINCE 1959—



**1500 GALLON RECTANGULAR SEPTIC TANK (2 COMPARTMENT)**  
(AS BUILT BY PEERLESS)

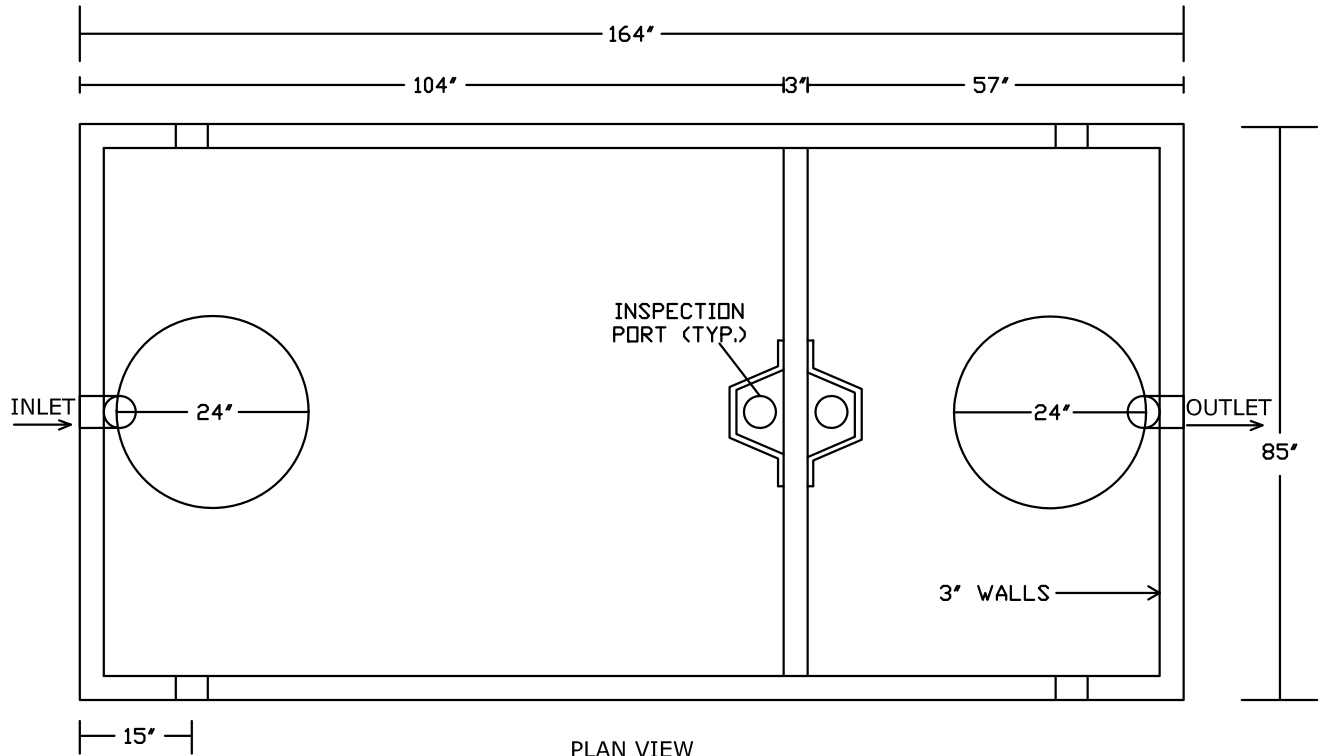
NOTES:

- NON- TRAFFIC RATED
- CONCRETE: 4500PSI @ 28 DAYS
- REINFORCING: DETAILS FURNISHED UPON REQUEST
- SCALE: 1/2"=1'-0"
- 4' MAX. BACKFILL ON TOP OF TANK
- INTERIOR COATED 2 COATS OF APPROPRIATE SEALER
- PLASTIC BAFFLES, GAS DEFLECTOR- OUTLET
- TOTAL WEIGHT: 15,000 LBS.±
- TOTAL WGT OF TANK W/O LID: 10,600 LBS.±

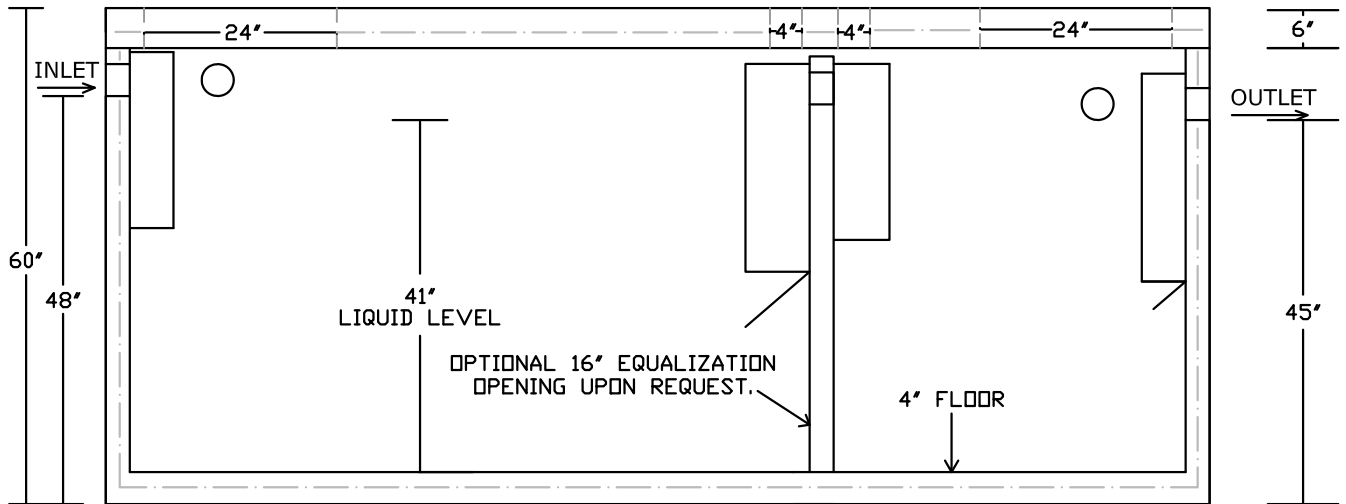
**A-17**

**PEERLESS CONCRETE PRODUCTS CO.**

—SINCE 1959—



PLAN VIEW



SECTION VIEW

**2000 GALLON RECTANGULAR SEPTIC TANK (2 COMPARTMENT)**  
(AS BUILT BY PEERLESS)

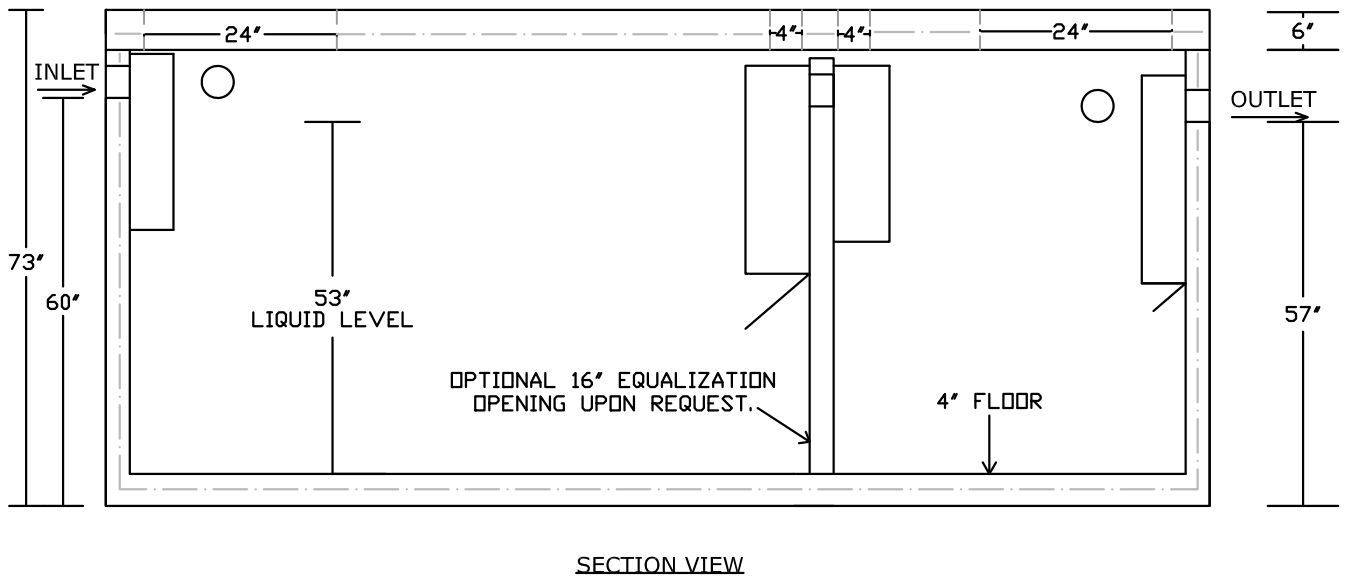
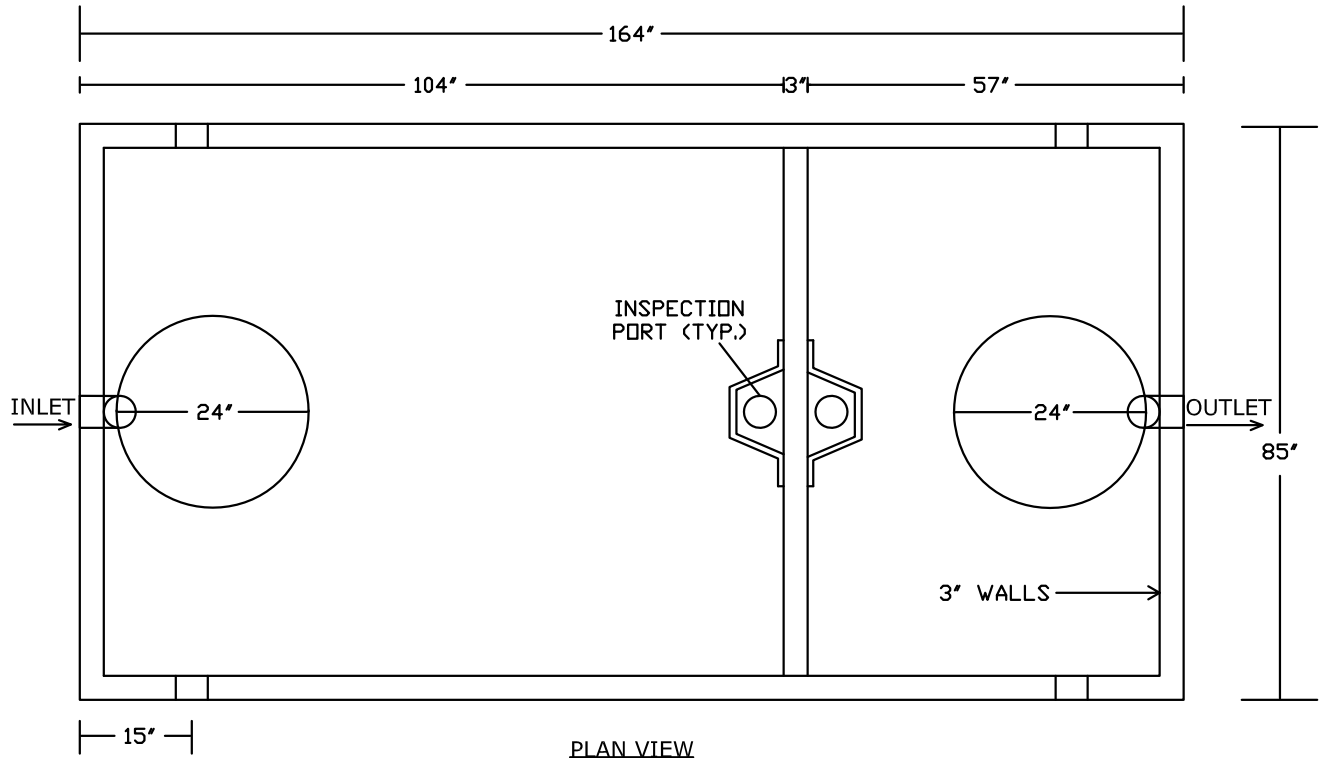
NOTES:

- NON- TRAFFIC RATED
- CONCRETE: 4500PSI @ 28 DAYS
- REINFORCING: DETAILS FURNISHED UPON REQUEST
- SCALE: NTS
- 4' MAX. BACKFILL ON TOP OF TANK
- INTERIOR COATED 2 COATS OF APPROPRIATE SEALER
- PLASTIC BAFFLES, GAS DEFLECTOR- OUTLET
- TOTAL WEIGHT: 19,500 LBS.±
- TOTAL WGT OF TANK W/O LID: 12,500 LBS.±

**A-18**

**PEERLESS CONCRETE PRODUCTS CO.**

—SINCE 1959—



**2500 GALLON RECTANGULAR SEPTIC TANK (2 COMPARTMENT)**  
(AS BUILT BY PEERLESS)

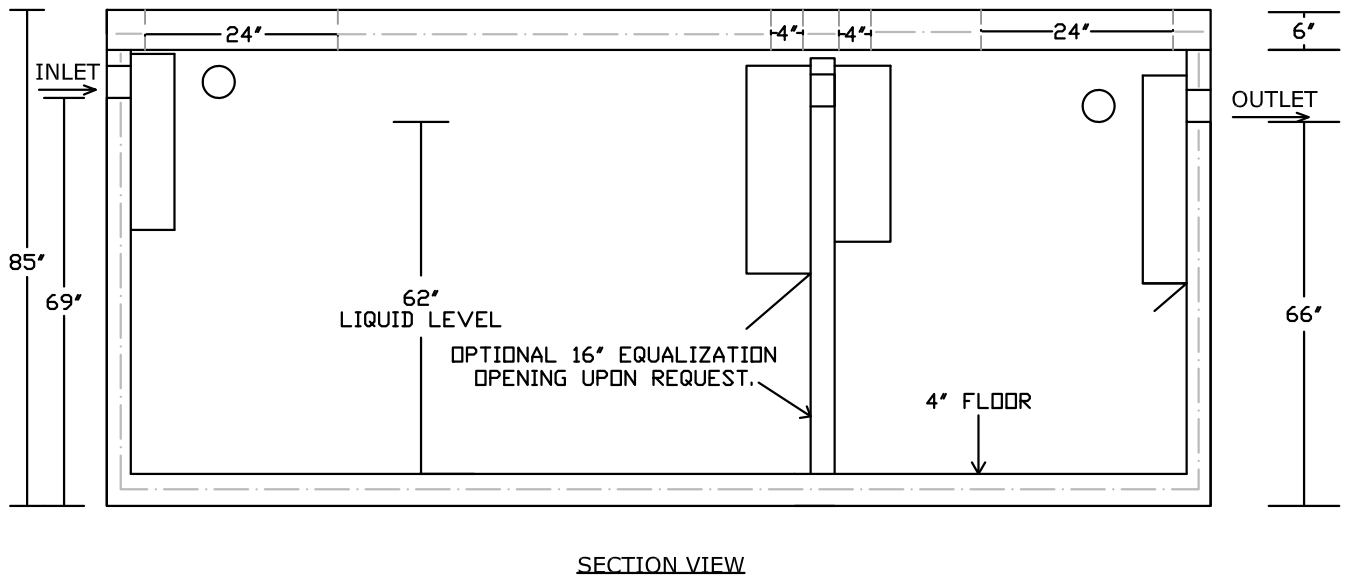
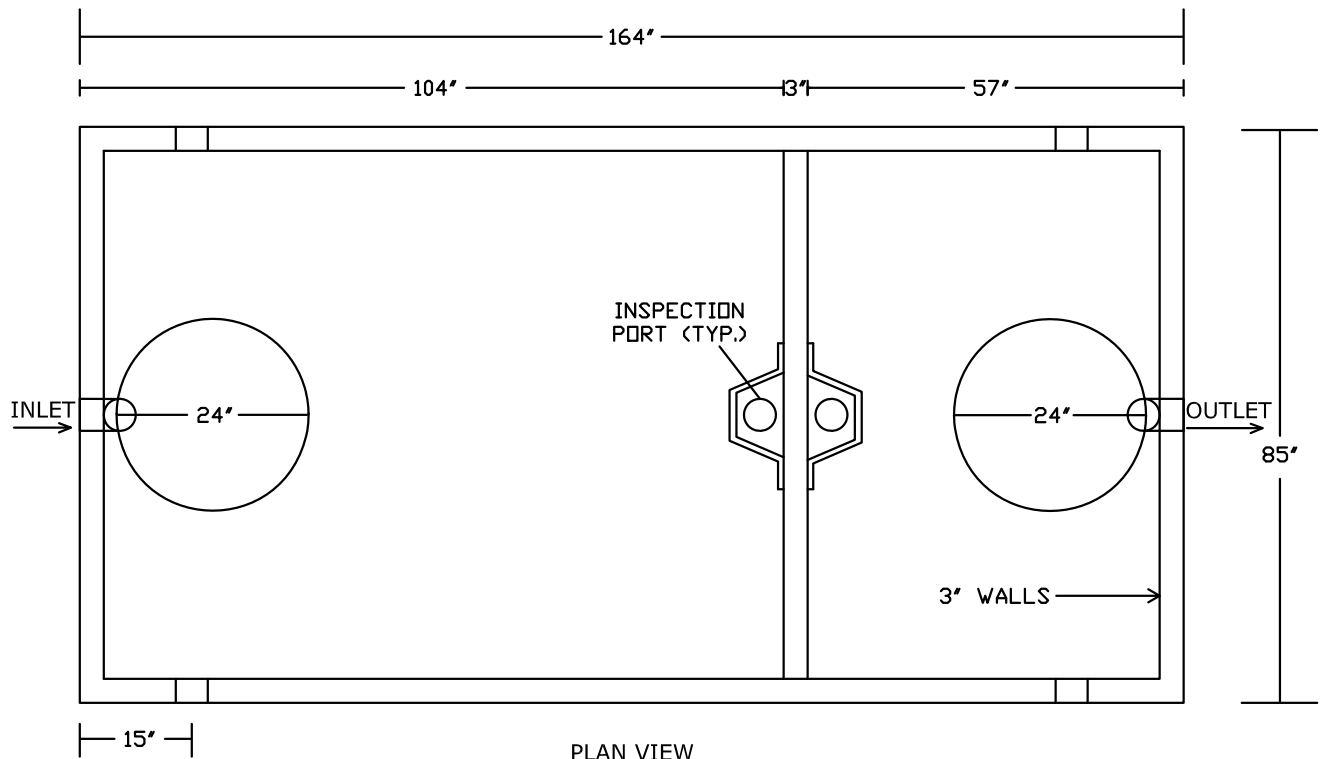
NOTES:

- NON- TRAFFIC RATED
- CONCRETE: 4500PSI @ 28 DAYS
- REINFORCING: DETAILS FURNISHED UPON REQUEST
- SCALE: NTS
- 4' MAX. BACKFILL ON TOP OF TANK
- INTERIOR COATED 2 COATS OF APPROPRIATE SEALER
- PLASTIC BAFFLES, GAS DEFLECTOR- OUTLET
- TOTAL WEIGHT: 21,600 LBS.±
- TOTAL WGT OF TANK W/O LID: 14,600 LBS.±

**A-19**

**PEERLESS CONCRETE PRODUCTS CO.**

—SINCE 1959—



**3000 GALLON RECTANGULAR SEPTIC TANK (2 COMPARTMENT)**  
(AS BUILT BY PEERLESS)

NOTES:

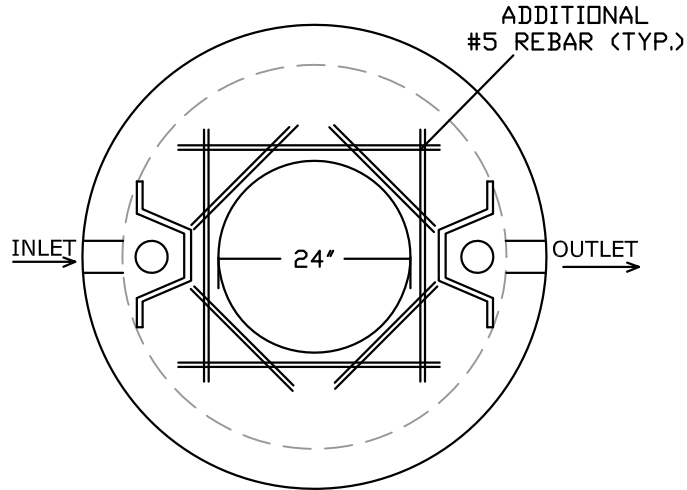
- NON- TRAFFIC RATED
- CONCRETE: 4500PSI @ 28 DAYS
- REINFORCING: DETAILS FURNISHED UPON REQUEST
- SCALE: NTS
- 4' MAX. BACKFILL ON TOP OF TANK
- INTERIOR COATED 2 COATS OF APPROPRIATE SEALER
- PLASTIC BAFFLES, GAS DEFLECTOR- OUTLET
- TOTAL WEIGHT: 23,900 LBS.±
- TOTAL WGT OF TANK W/O LID: 16,400 LBS.±

**A-20**

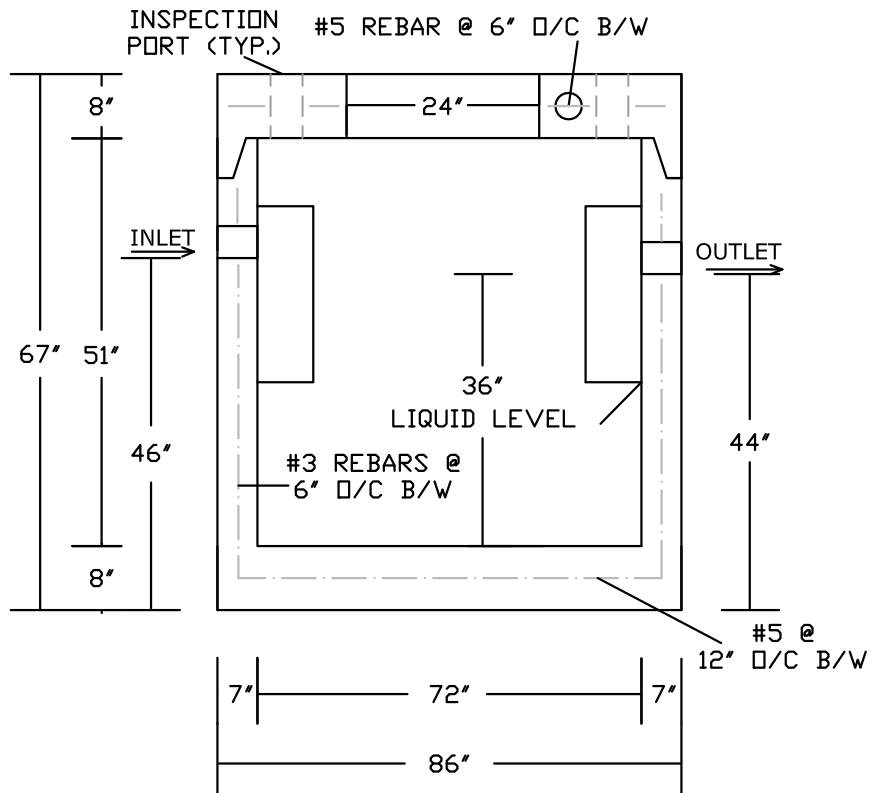
**973.838.3060p - www.peerlessconcrete.com - 973.838.3385f**  
**Butler, NJ**

**PEERLESS CONCRETE PRODUCTS CO.**

— SINCE 1959 —



PLAN VIEW



SECTION VIEW

**500 GALLON HEAVY DUTY ROUND SEPTIC TANK**  
(AS BUILT BY PEERLESS)

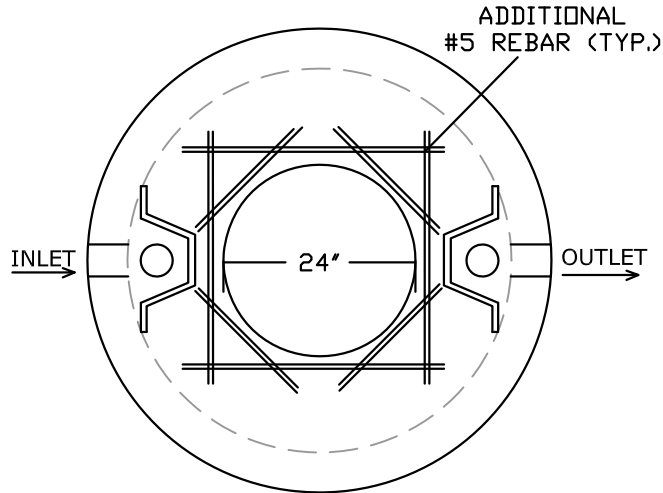
**NOTES:**

- LOAD RATING: HS-20
- CONCRETE 4,500PSI @ 28 DAYS
- REINFORCING: AS SPECIFIED, GRADE 60 REBAR
- SCALE: NTS
- INTERIOR COATED 2 COATS OF APPROPRIATE SEALER
- PLASTIC BAFFLES, OUTLET WITH GAS GAS DEFLECTOR- OUTLET
- WEIGHT OF TANK BASE: 7,200 LBS.±
- WEIGHT OF LID: 5,000 LBS.±

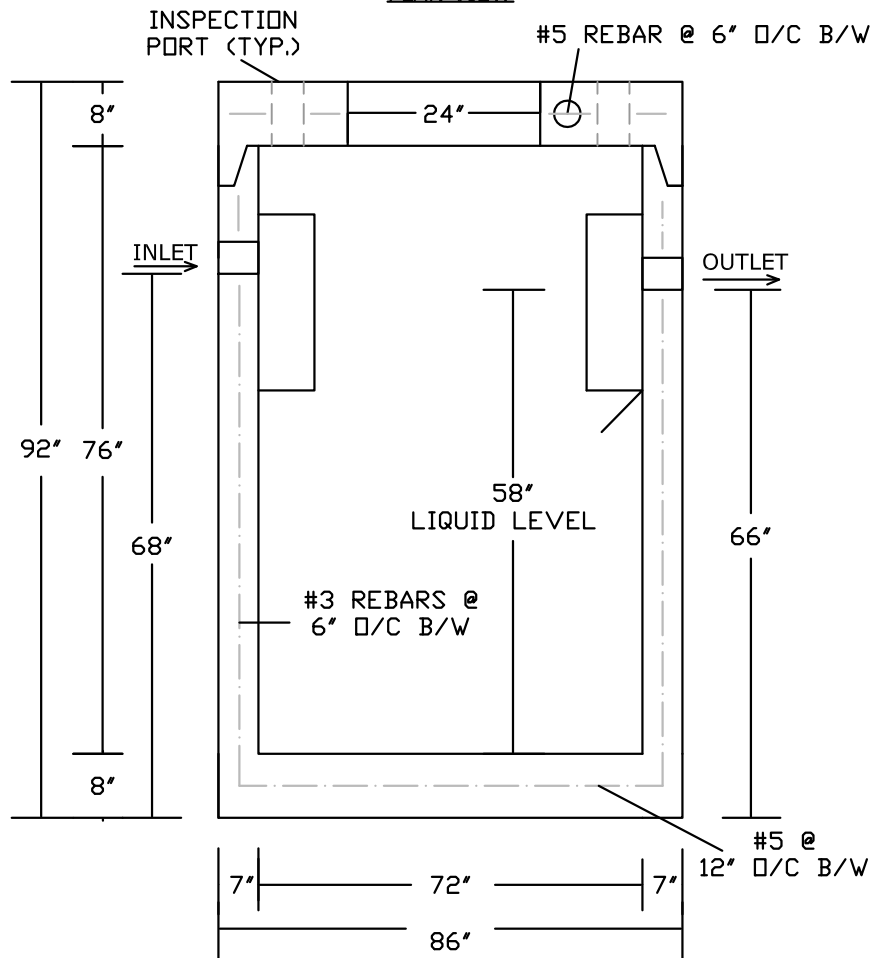
**A-21**

# PEERLESS CONCRETE PRODUCTS CO.

—SINCE 1959—



PLAN VIEW



SECTION VIEW

## 1000 GALLON HEAVY DUTY ROUND SEPTIC TANK

(AS BUILT BY PEERLESS)

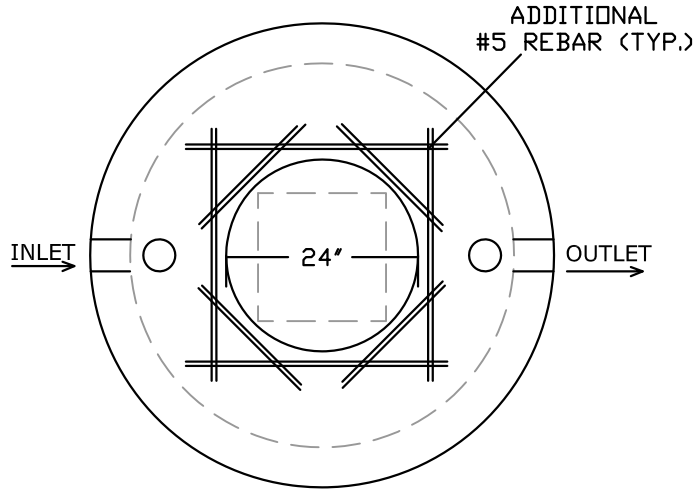
**NOTES:**

- LOAD RATING: HS-20
- CONCRETE 4,500PSI @ 28 DAYS
- REINFORCING: AS SPECIFIED, GRADE 60 REBAR
- SCALE: NTS
- INTERIOR COATED 2 COATS OF APPROPRIATE SEALER
- PLASTIC BAFFLES, GAS DEFLECTOR- OUTLET
- WEIGHT OF TANK BASE: 16,000 LBS.±
- WEIGHT OF LID: 5,000 LBS.±

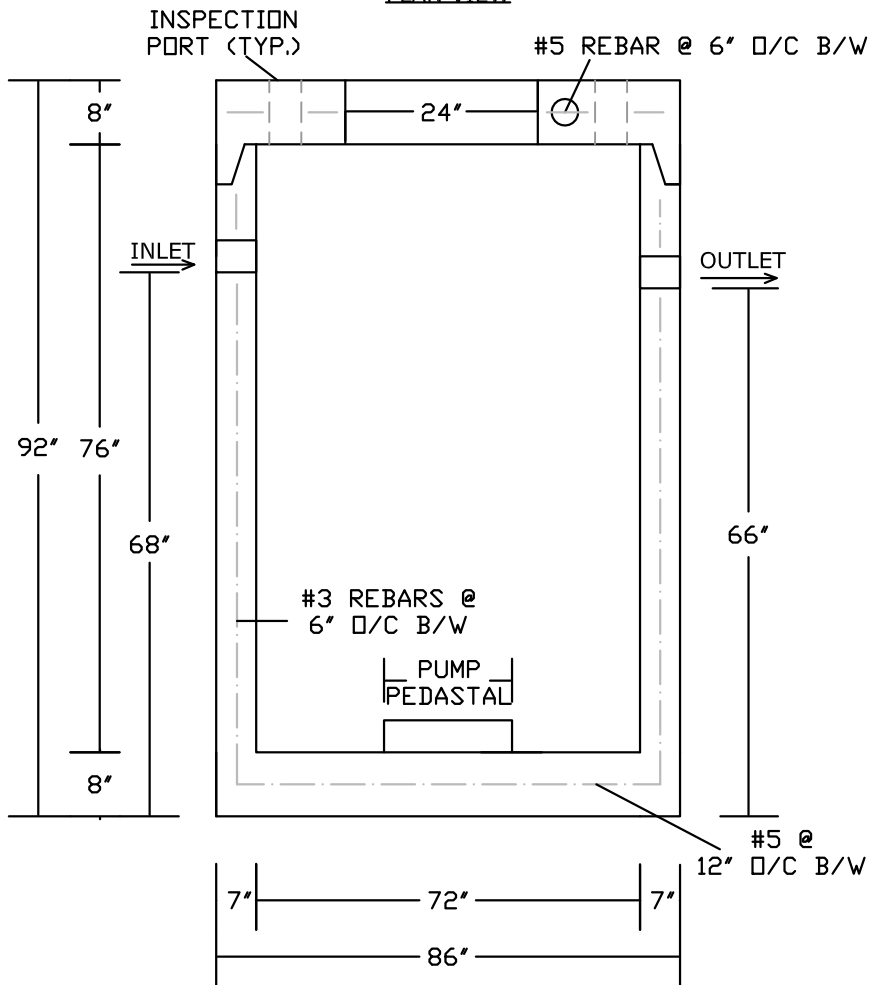
**A-22**

**PEERLESS CONCRETE PRODUCTS CO.**

— SINCE 1959 —



PLAN VIEW



SECTION VIEW

**1000 GALLON HEAVY DUTY ROUND PUMP TANK**  
(AS BUILT BY PEERLESS)

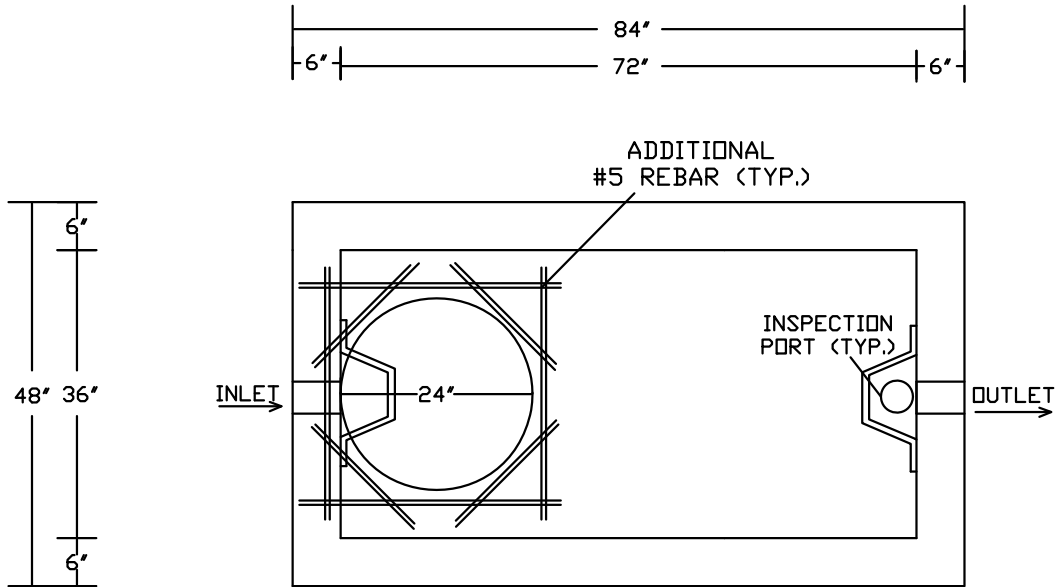
**NOTES:**

- LOAD RATING: HS-20
- CONCRETE 4,500PSI @ 28 DAYS
- REINFORCING: AS SPECIFIED, GRADE 60 REBAR
- SCALE: NTS
- INTERIOR COATED 2 COATS OF APPROPRIATE SEALER
- WEIGHT OF TANK BASE: 16,000 LBS.±
- WEIGHT OF LID: 5,000 LBS.±

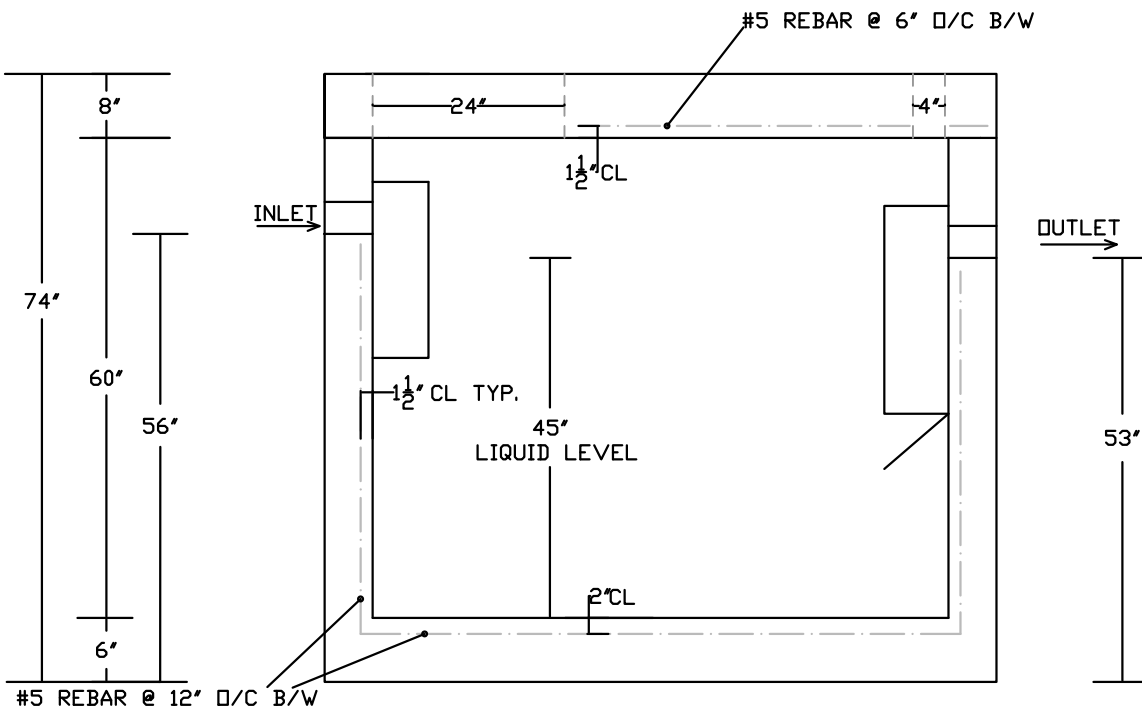
**A-23**

# PEERLESS CONCRETE PRODUCTS CO.

— SINCE 1959 —



PLAN VIEW



SECTION VIEW

## 500 GALLON HEAVY DUTY RECTANGULAR SEPTIC TANK (AS BUILT BY PEERLESS)

NOTES:

- LOAD RATING: HS-20
- CONCRETE: 4500PSI @ 28 DAYS
- REINFORCING: AS SPECIFIED, GRADE 60 REBAR
- SCALE: 1/2"=1'-0"

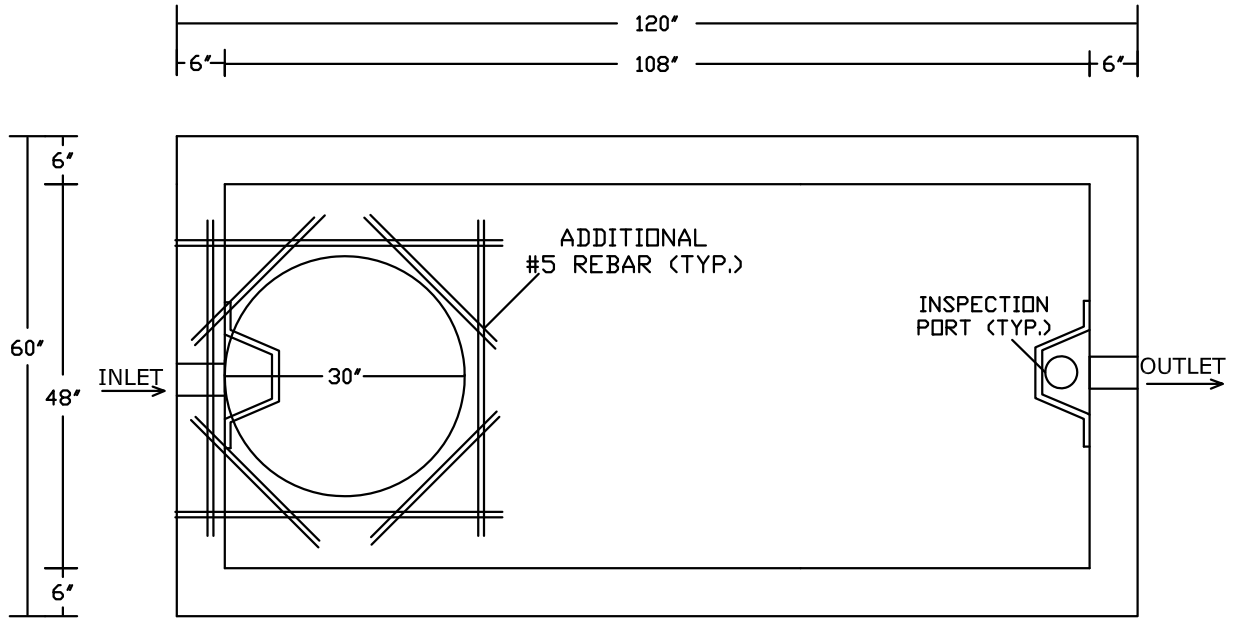
- INTERIOR COATED 2 COATS OF APPROPRIATE SEALER
- PLASTIC BAFFLES, GAS DEFLECTOR- OUTLET
- WEIGHT OF TANK BASE: 10,000 LBS. ±
- WEIGHT OF LID: 3,000 LBS. ±

**A-24**

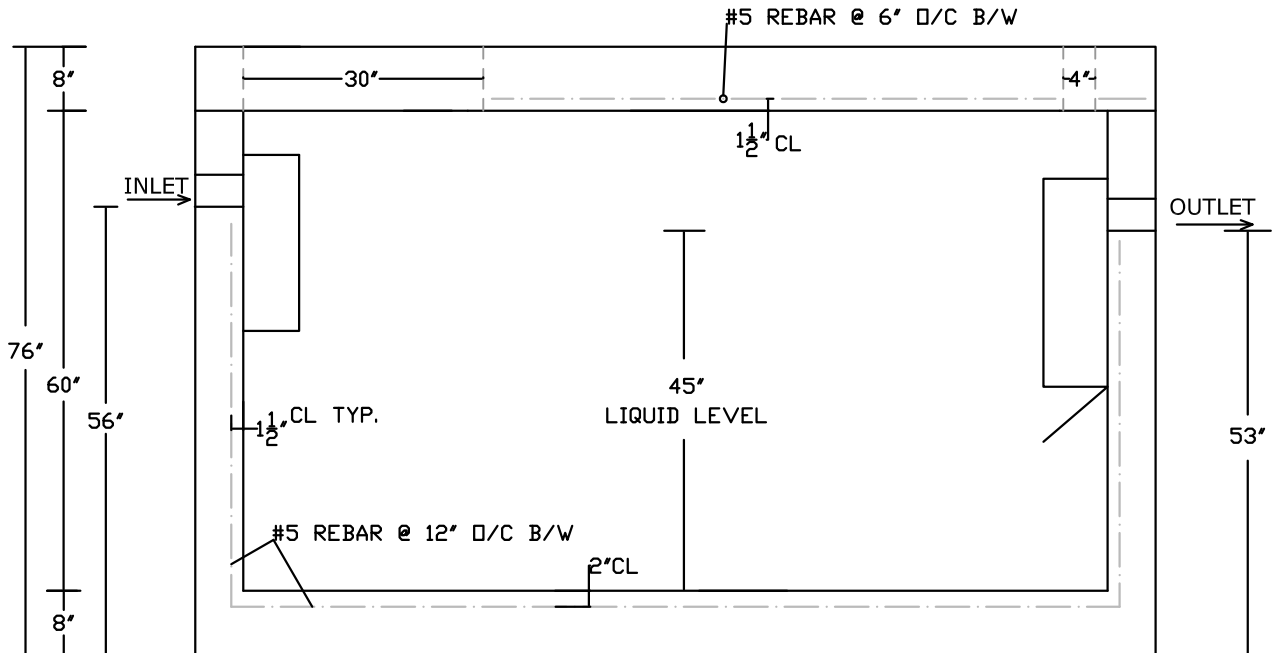


**PEERLESS CONCRETE PRODUCTS CO.**

—SINCE 1959—



PLAN VIEW



SECTION VIEW

**1000 GALLON HEAVY DUTY RECTANGULAR SEPTIC TANK**

(AS BUILT BY PEERLESS)

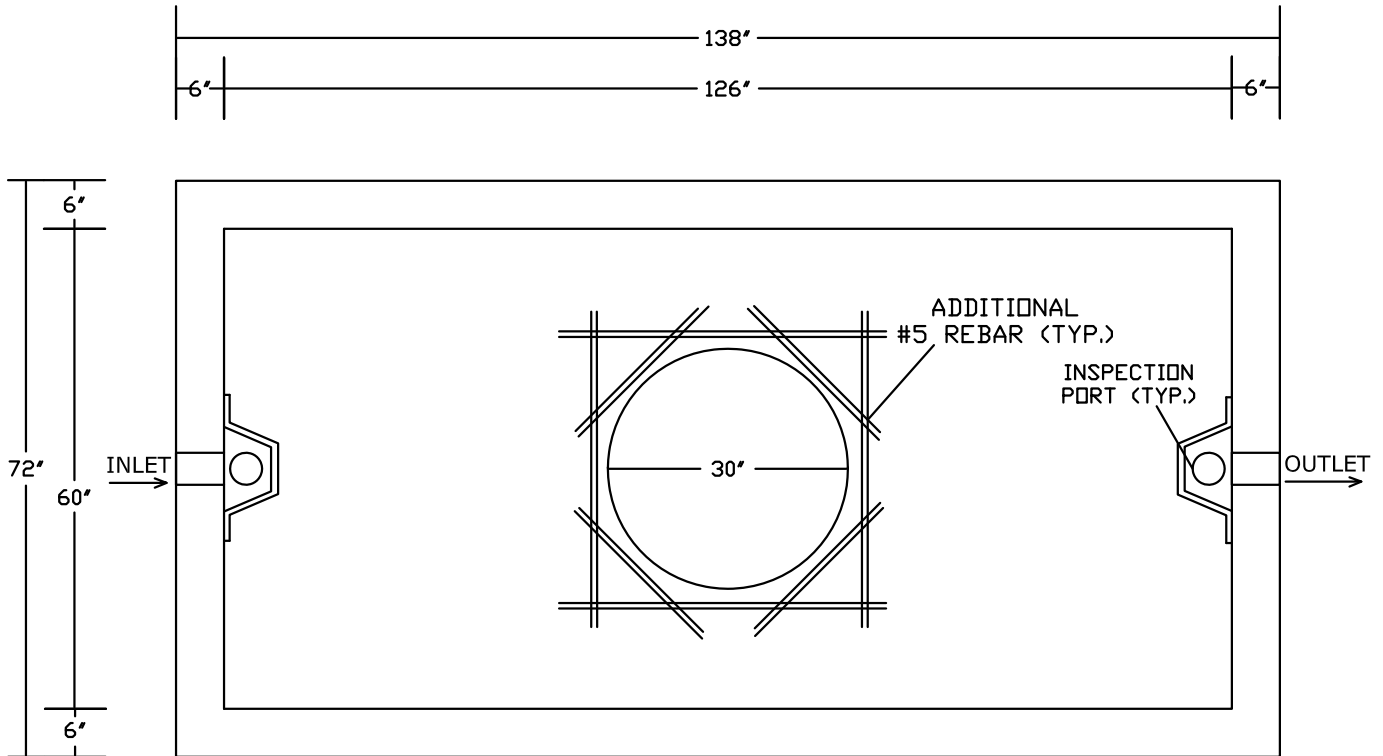
NOTES:

- LOAD RATING: HS-20
- CONCRETE: 4500PSI @ 28 DAYS
- REINFORCING: AS SPECIFIED, GRADE 60 REBAR
- SCALE: 1/2"=1'-0"
- INTERIOR COATED 2 COATS OF APPROPRIATE SEALER
- PLASTIC BAFFLES, GAS DEFLECTOR- OUTLET
- WEIGHT OF TANK BASE: 16,000 LBS. ±
- WEIGHT OF LID: 5,000 LBS. ±

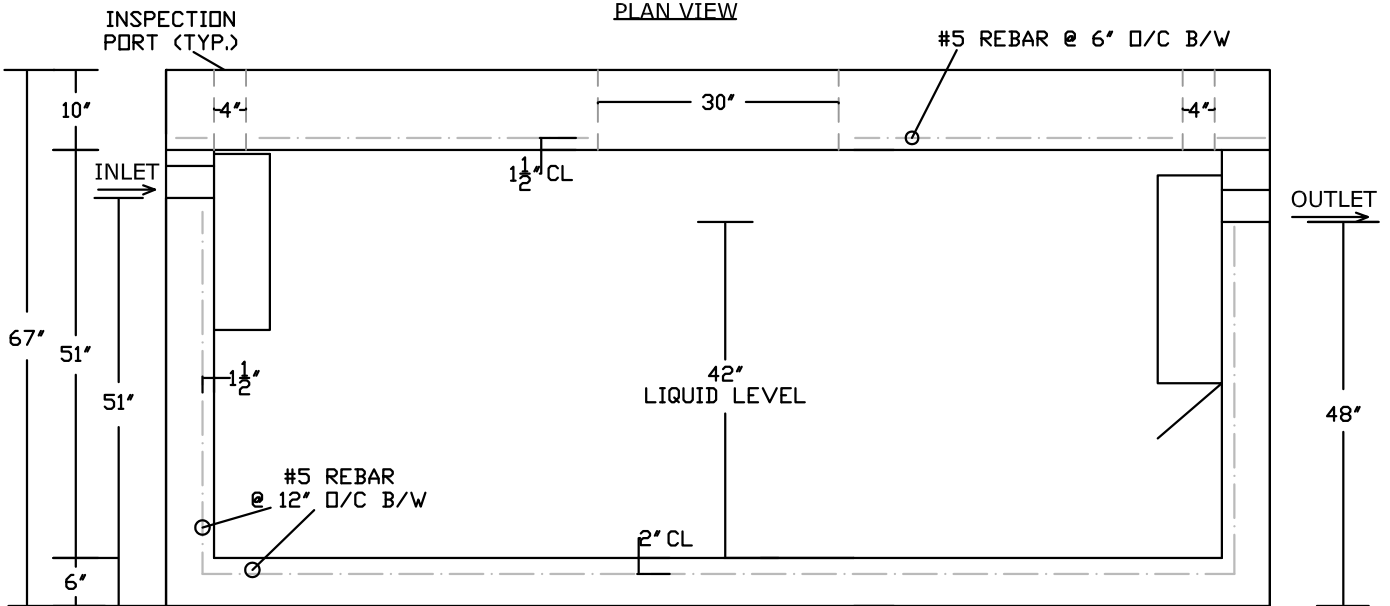
**A-25**

**PEERLESS CONCRETE PRODUCTS CO.**

— SINCE 1959 —



PLAN VIEW



SECTION VIEW

**1250 GALLON HEAVY DUTY RECTANGULAR SEPTIC TANK**  
(AS BUILT BY PEERLESS)

NOTES:

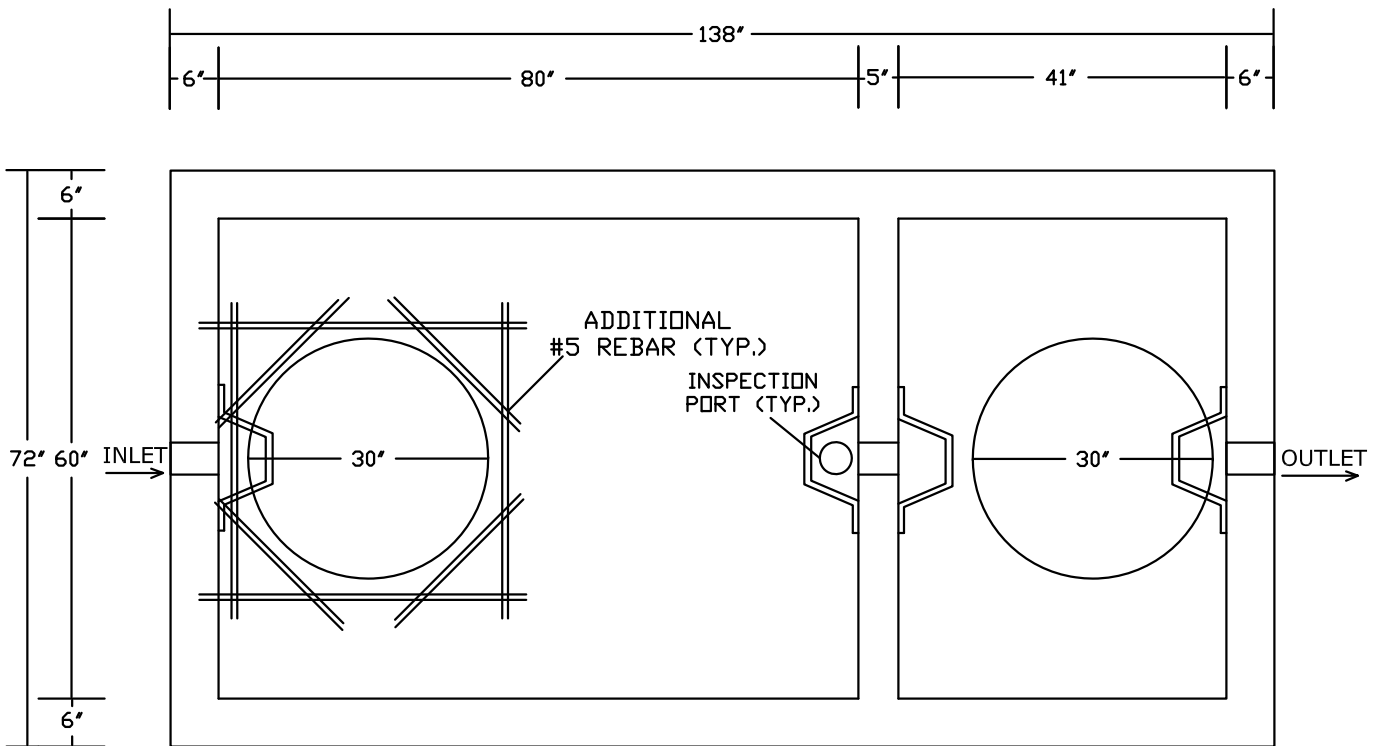
- LOAD RATING: HS-20
- CONCRETE: 4500PSI @ 28 DAYS
- REINFORCING: GRADE 60 REBAR, DETAILS FURNISHED UPON REQUEST
- SCALE: 1/2"=1'-0"

- INTERIOR COATING- PPS 922 APPROPRIATE SEALER
- PLASTIC BAFFLES, GAS DEFLECTOR- OUTLET
- WEIGHT OF TANK BASE: 1,700 LBS.±
- WEIGHT OF LID: 9,000 LBS.±

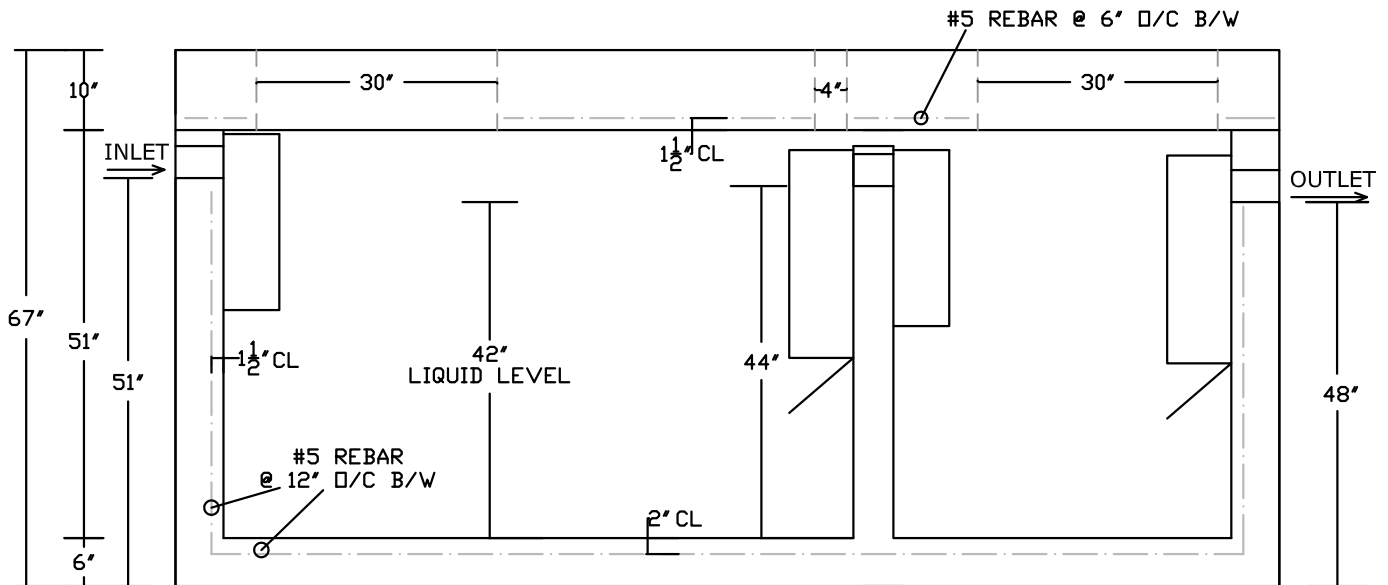
**A-26**

# PEERLESS CONCRETE PRODUCTS CO.

—SINCE 1959—



PLAN VIEW



SECTION VIEW

## 1250 GALLON HEAVY DUTY RECTANGULAR SEPTIC TANK (2 COMPARTMENT) (AS BUILT BY PEERLESS)

### NOTES:

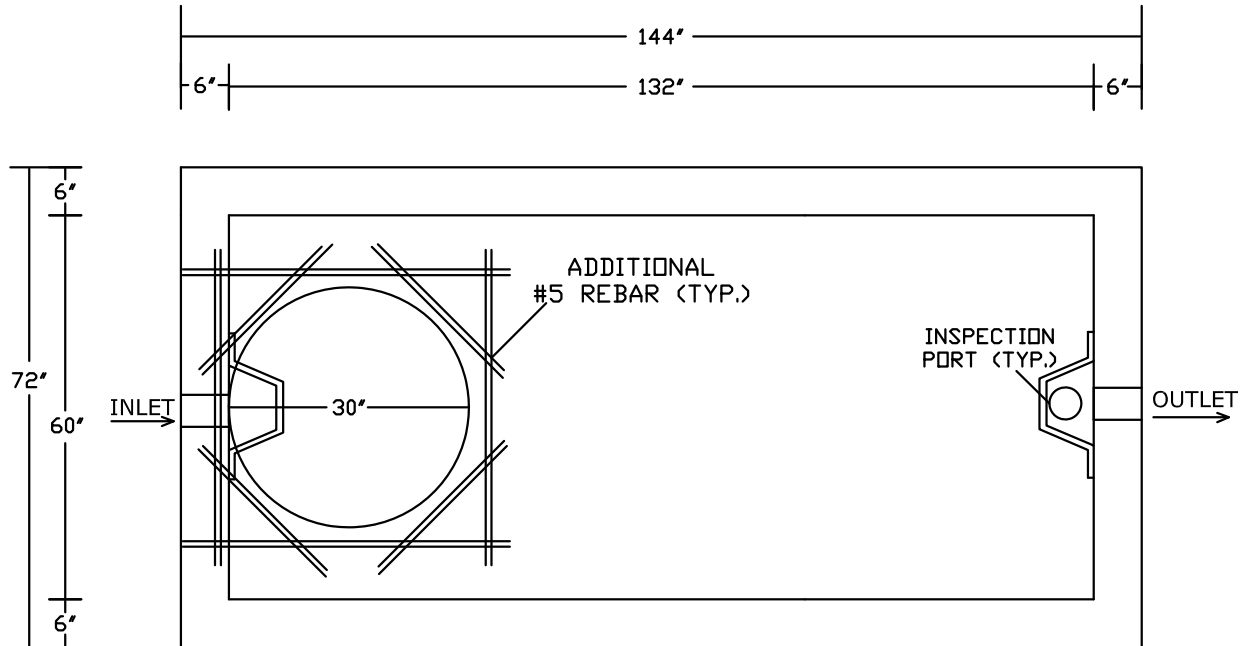
- LOAD RATING: HS-20
- CONCRETE: 4500PSI @ 28 DAYS
- REINFORCING: GRADE 60 REBAR  
UPON REQUEST
- SCALE: 1/2"=1'-0"

- INTERIOR COATING 2 COATS OF  
APPROPRIATE SEALER
- PLASTIC BAFFLES,  
GAS DEFLECTOR- OUTLET
- WEIGHT OF TANK BASE: 18,000 LBS.±
- WEIGHT OF LID: 9,000 LBS.±

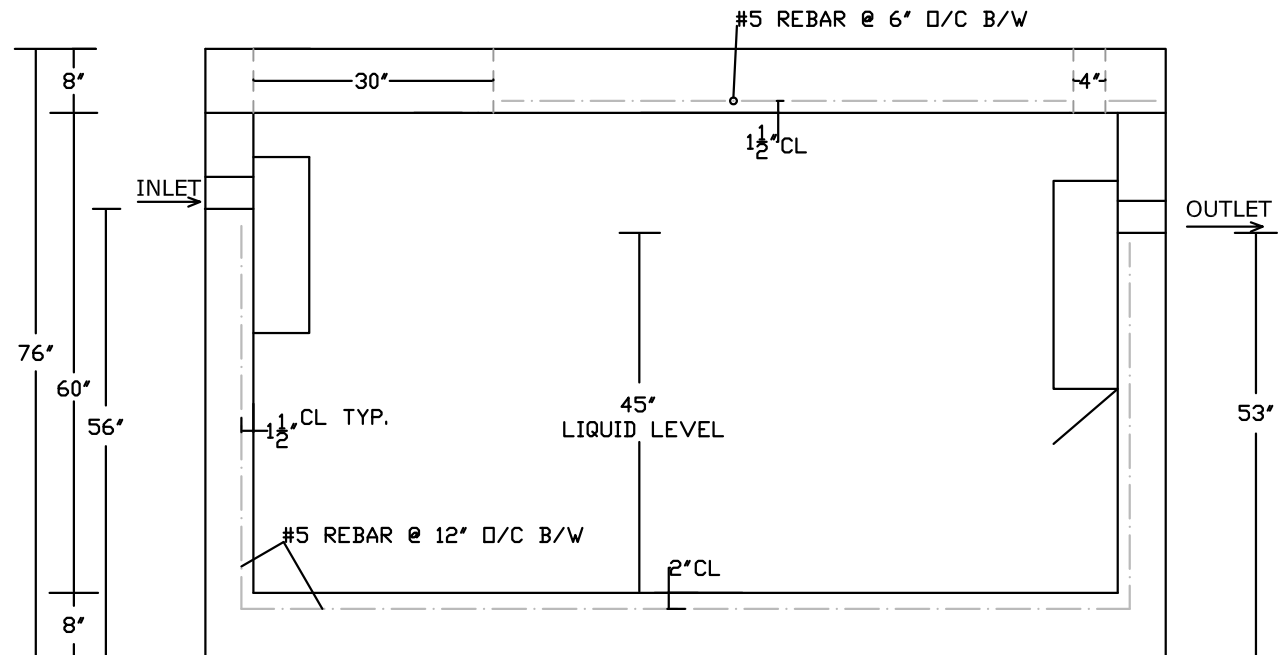
**A-27**

# PEERLESS CONCRETE PRODUCTS CO.

— SINCE 1959 —



PLAN VIEW



SECTION VIEW

## 1500 GALLON HEAVY DUTY RECTANGULAR SEPTIC TANK (AS BUILT BY PEERLESS)

### NOTES:

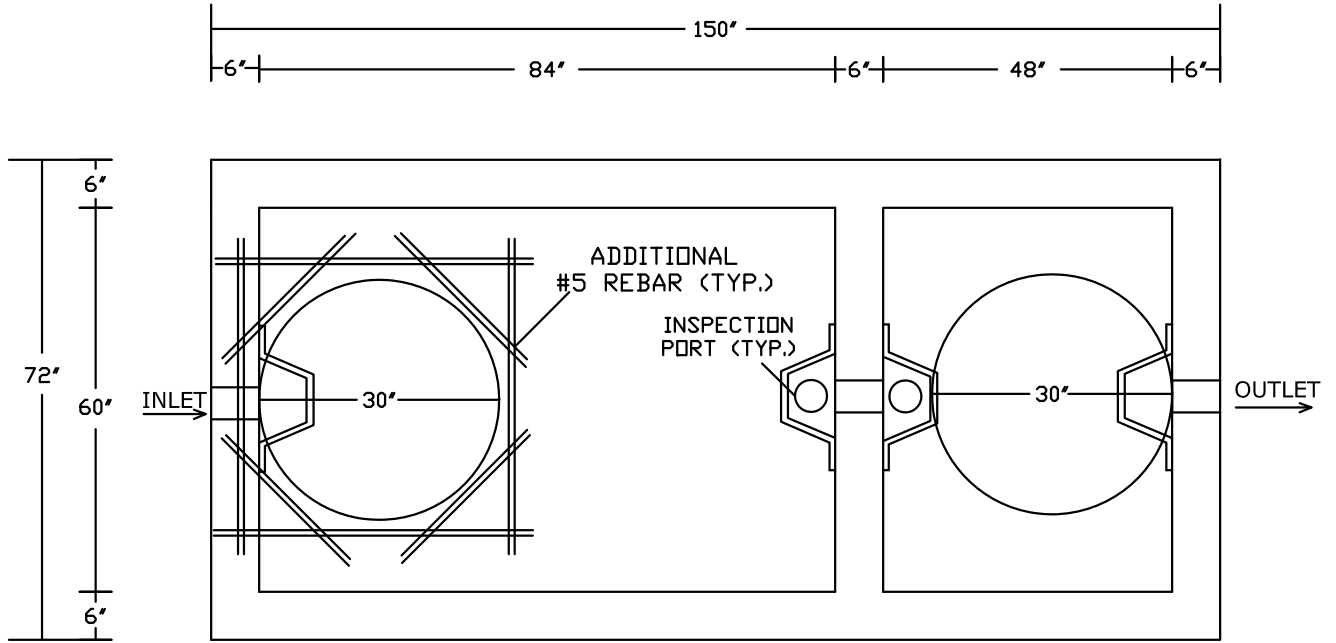
- LOAD RATING: HS-20
- CONCRETE: 4500PSI @ 28 DAYS
- REINFORCING: AS SPECIFIED, GRADE 60 REBAR
- SCALE: NTS

- INTERIOR COATED- 2 COATS PPS 922 APPROPRIATE SEALER
- PLASTIC BAFFLES, GAS DEFLECTOR- OUTLET
- WEIGHT OF TANK BASE: 20,000 LBS.±
- WEIGHT OF LID: 8,000 LBS.±

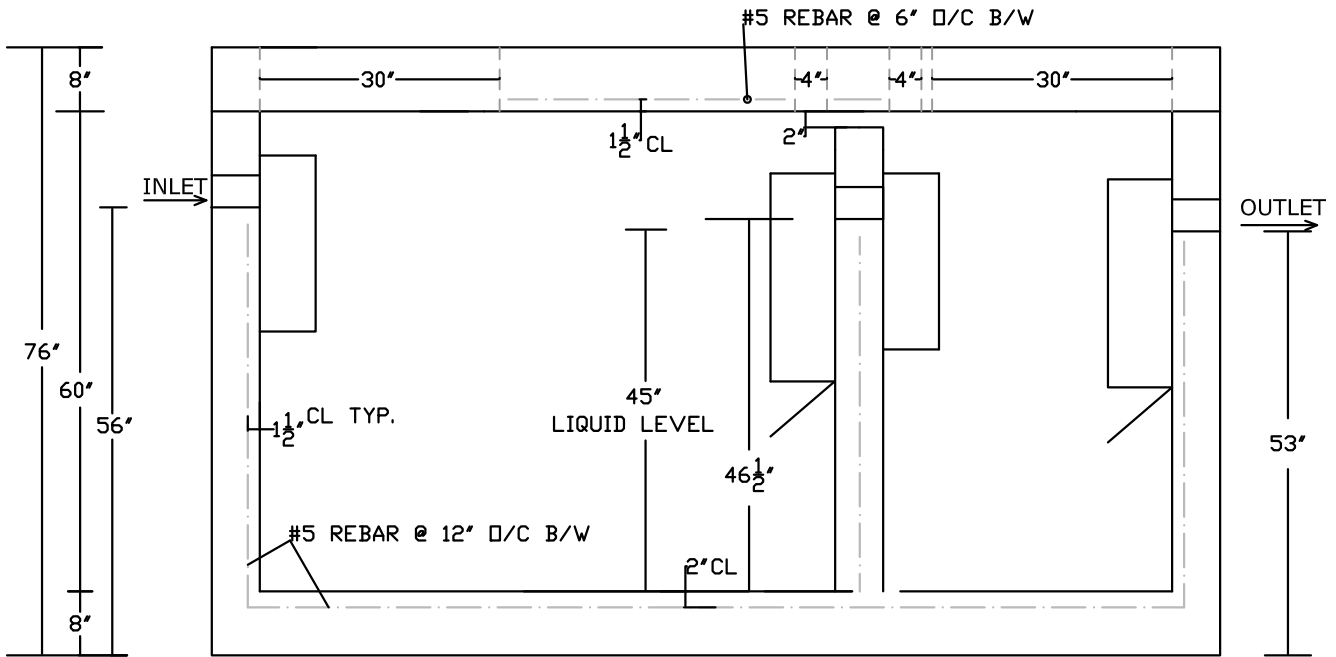
**A-28**

# PEERLESS CONCRETE PRODUCTS CO.

—SINCE 1959—



PLAN VIEW



SECTION VIEW

## 1500 GALLON HEAVY DUTY RECTANGULAR SEPTIC TANK (2 COMPARTMENT) (AS BUILT BY PEERLESS)

NOTES:

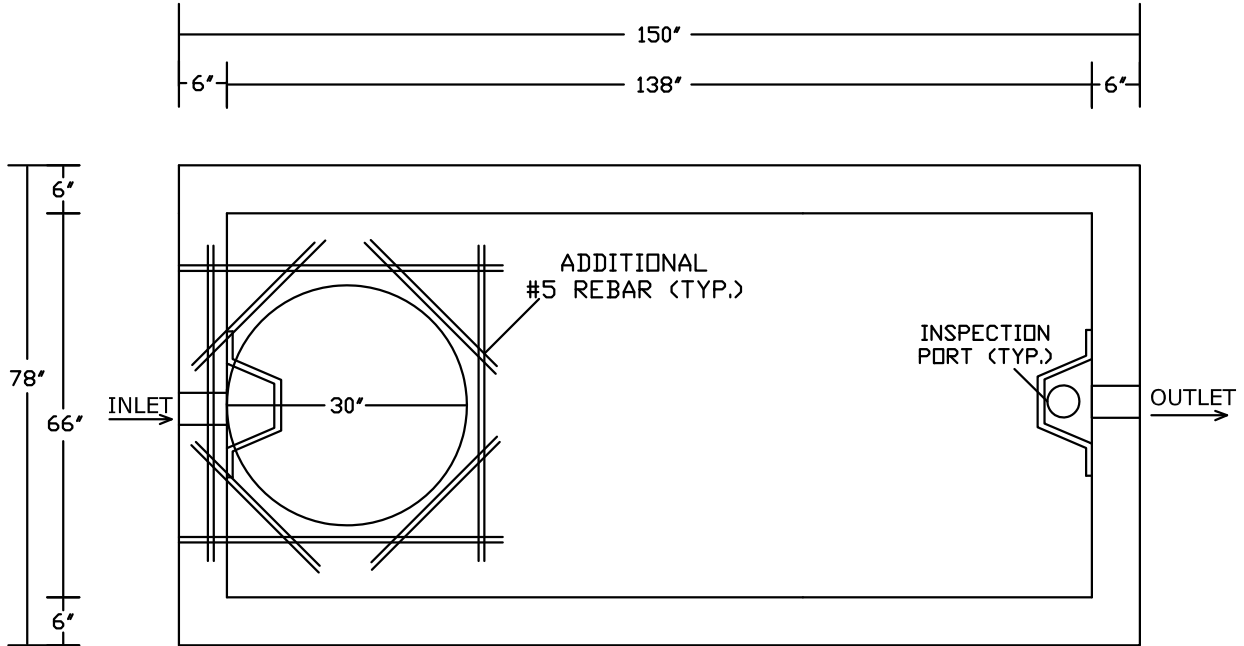
- LOAD RATING: HS-20
- CONCRETE: 4500PSI @ 28 DAYS
- REINFORCING: GRADE 60 REBAR
- SCALE: NTS

- INTERIOR COATED 2 COATS OF APPROPRIATE SEALER
- PLASTIC BAFFLES, GAS DEFLECTOR- OUTLET
- WEIGHT OF TANK BASE: 23,000 LBS. ±
- WEIGHT OF LID: 8,000 LBS. ±

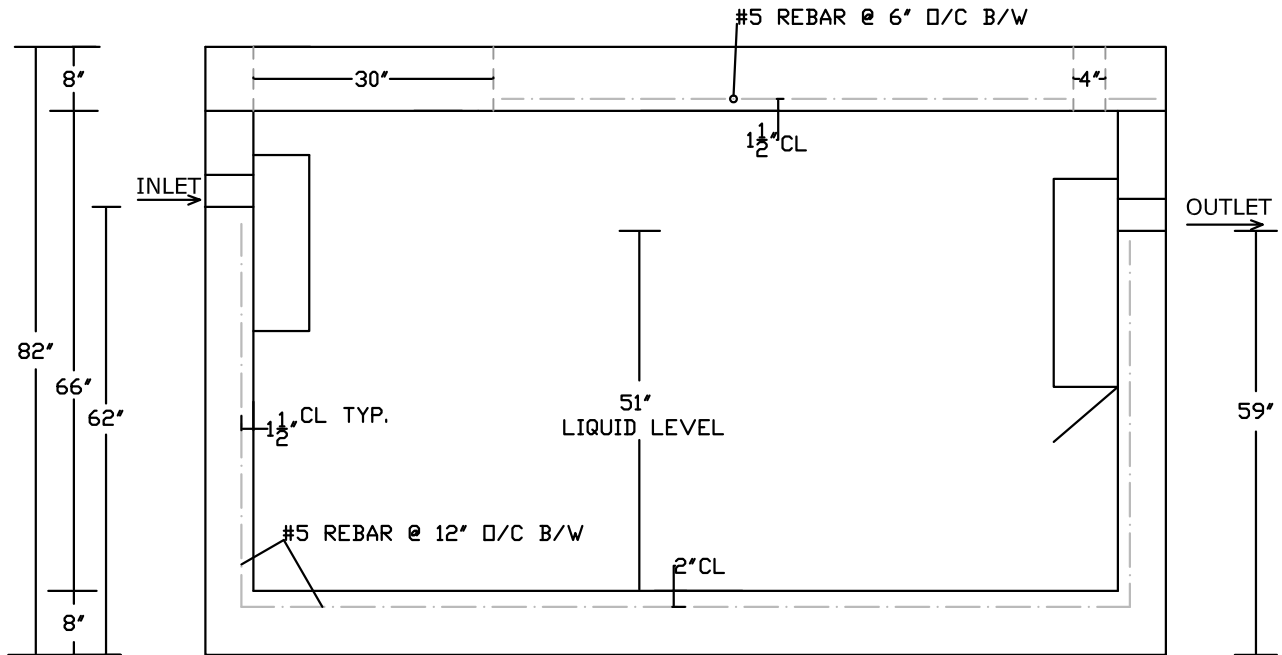
**A-29**

**PEERLESS CONCRETE PRODUCTS CO.**

— SINCE 1959 —



PLAN VIEW



SECTION VIEW

**2000 GALLON HEAVY DUTY RECTANGULAR SEPTIC TANK**  
(AS BUILT BY PEERLESS)

NOTES:

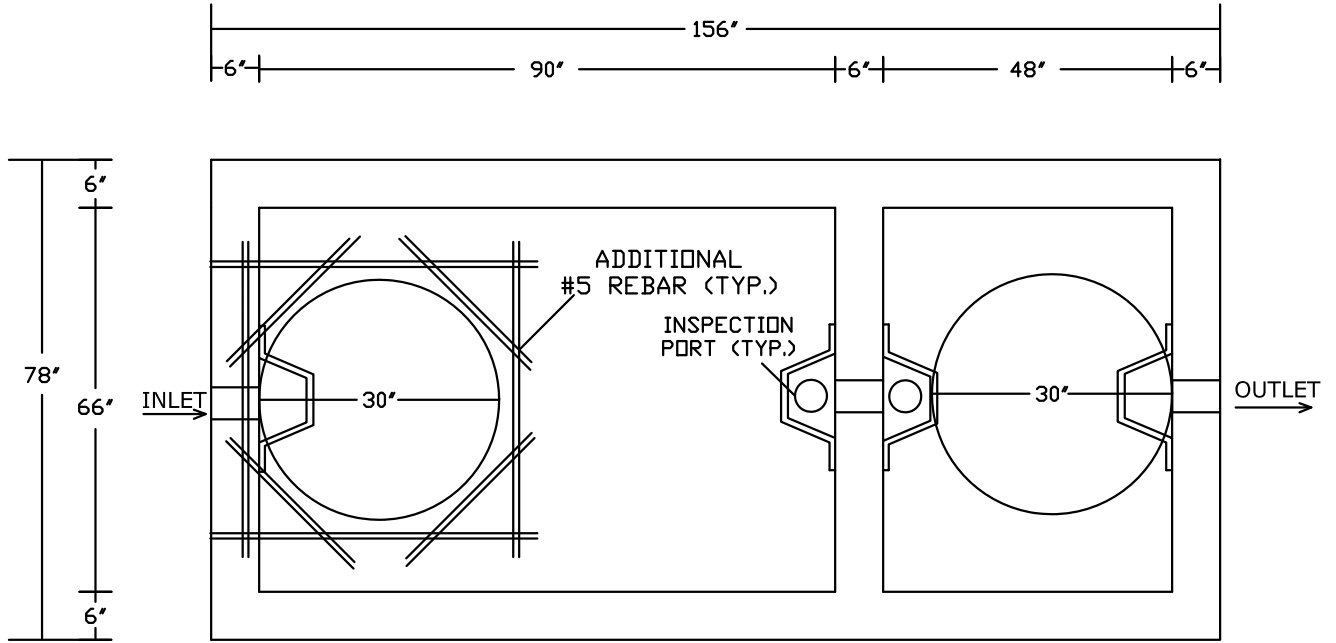
- LOAD RATING: HS-20
- CONCRETE: 4500PSI @ 28 DAYS
- REINFORCING: AS SPECIFIED, GRADE 60 REBAR
- SCALE: NTS

- INTERIOR COATED- 2 COATS PPS 922 APPROPRIATE SEALER
- PLASTIC BAFFLES, GAS DEFLECTOR- OUTLET
- WEIGHT OF TANK BASE: 23,000 LBS.±
- WEIGHT OF LID: 11,000 LBS.±

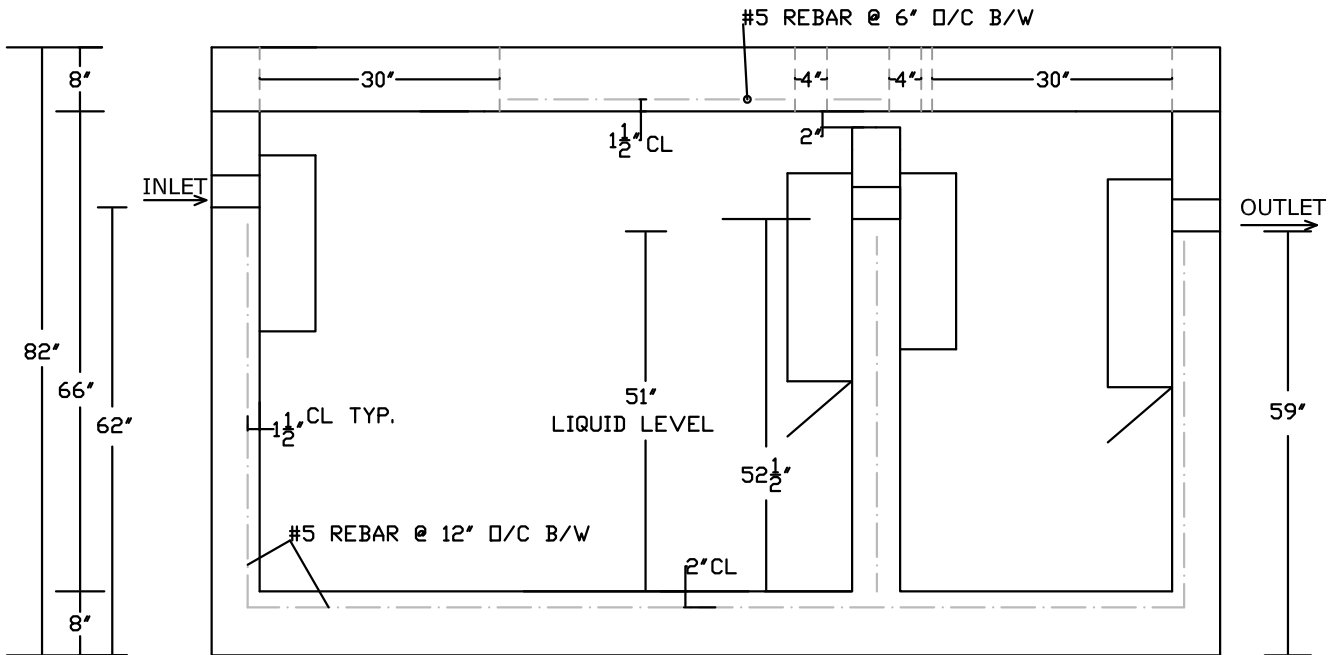
**A-30**

# PEERLESS CONCRETE PRODUCTS CO.

—SINCE 1959—



PLAN VIEW



SECTION VIEW

## 2000 GALLON HEAVY DUTY RECTANGULAR SEPTIC TANK (2 COMPARTMENT) (AS BUILT BY PEERLESS)

NOTES:

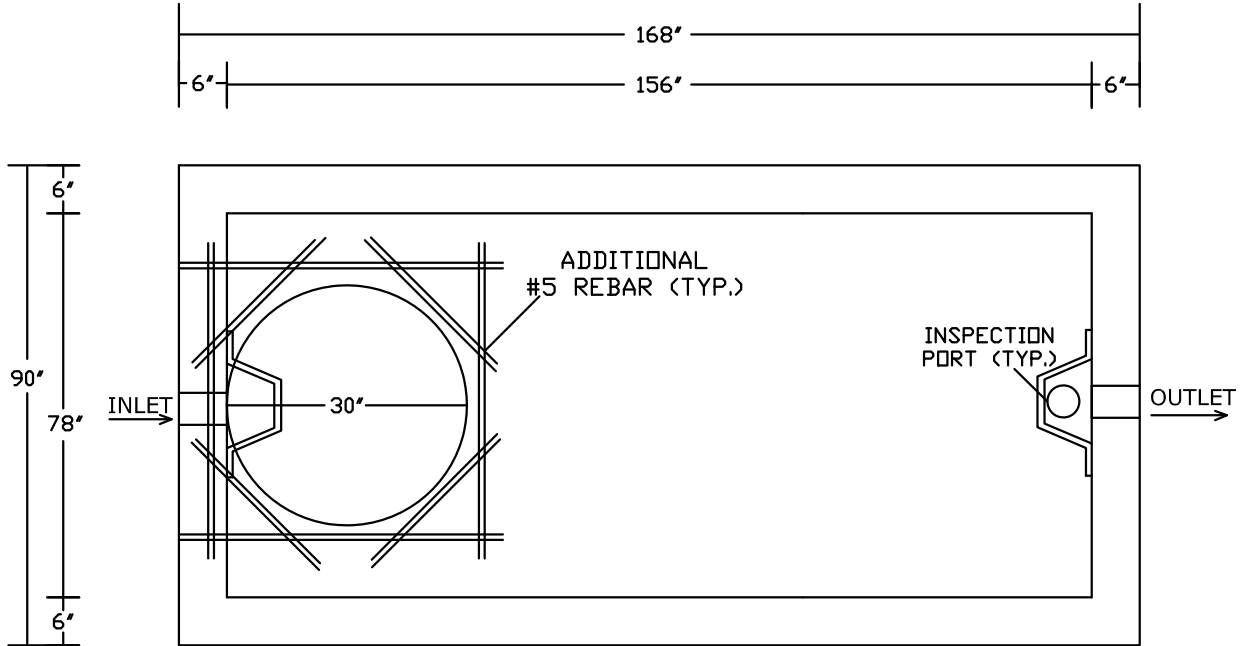
- LOAD RATING: HS-20
- CONCRETE: 4500PSI @ 28 DAYS
- REINFORCING: AS SPECIFIED  
GRADE 60 REBAR
- SCALE: NTS

- INTERIOR COATED 2 COATS OF  
APPROPRIATE SEALER
- PLASTIC BAFFLES,  
GAS DEFLECTOR- OUTLET
- WEIGHT OF TANK BASE: 26,000 LBS.±
- WEIGHT OF LID: 11,000 LBS.±

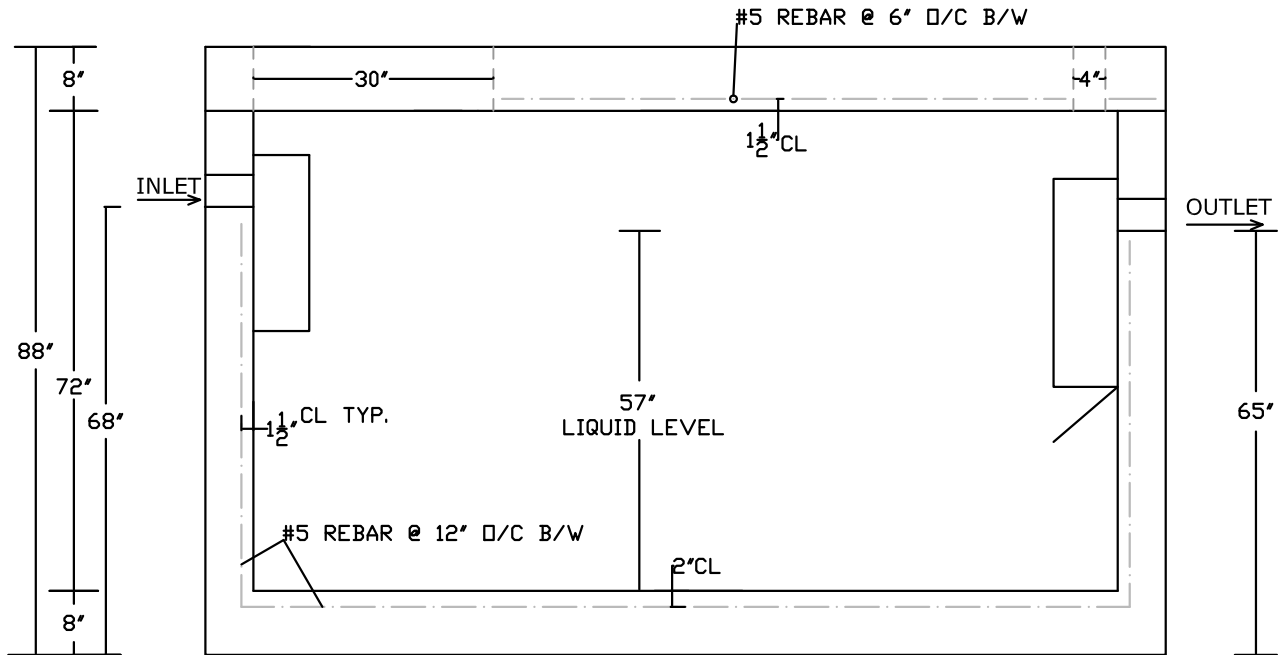
**A-31**

**PEERLESS CONCRETE PRODUCTS CO.**

— SINCE 1959 —



PLAN VIEW



SECTION VIEW

**3000 GALLON HEAVY DUTY RECTANGULAR SEPTIC TANK**  
(AS BUILT BY PEERLESS)

NOTES:

- LOAD RATING: HS-20
- CONCRETE: 4500PSI @ 28 DAYS
- REINFORCING: AS SPECIFIED, GRADE 60 REBAR
- SCALE: NTS

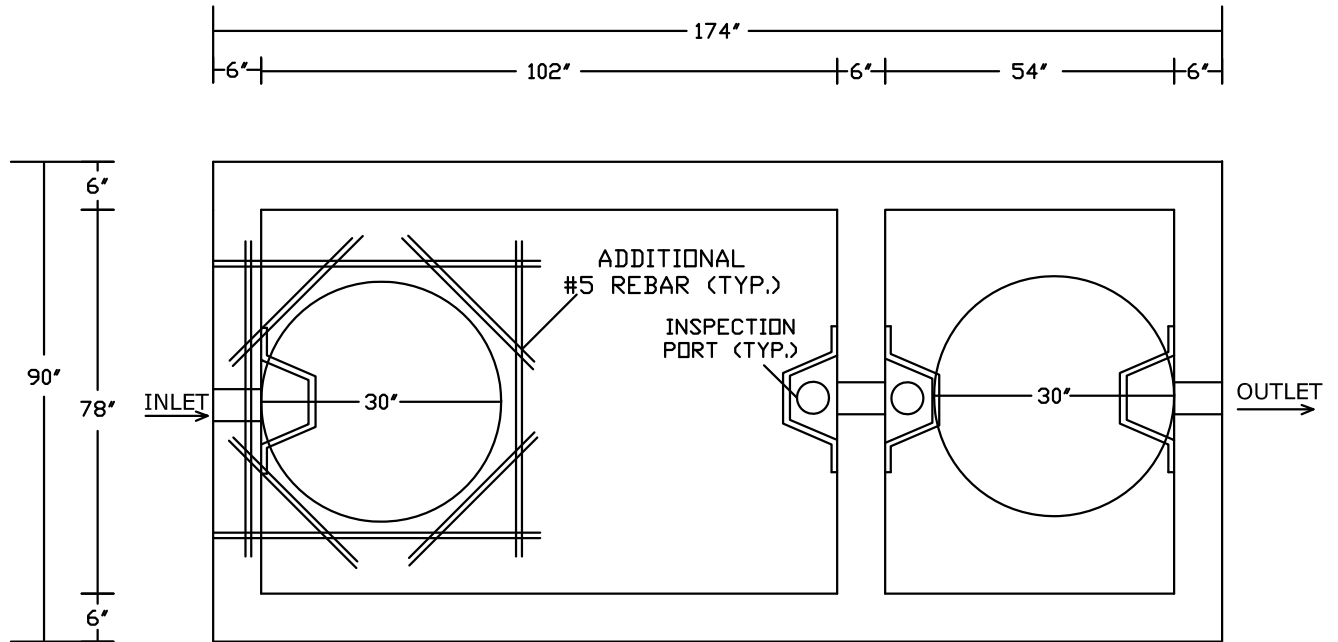
- INTERIOR COATED- 2 COATS PPS 922 APPROPRIATE SEALER
- PLASTIC BAFFLES, GAS DEFLECTOR- OUTLET
- WEIGHT OF TANK BASE: 30,000 LBS. ±
- WEIGHT OF LID: 11,000 LBS. ±

**A-32**

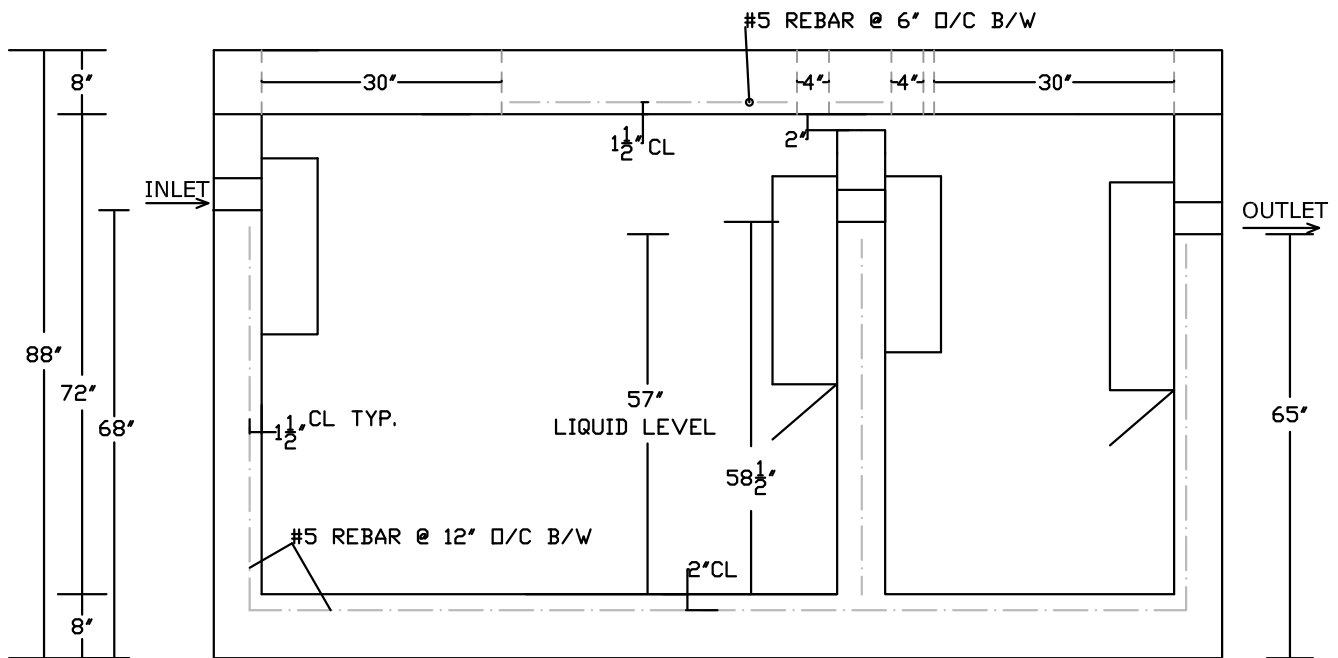


# PEERLESS CONCRETE PRODUCTS CO.

—SINCE 1959—



PLAN VIEW



SECTION VIEW

## 3000 GALLON HEAVY DUTY RECTANGULAR SEPTIC TANK (2 COMPARTMENT)

(AS BUILT BY PEERLESS)

NOTES:

- LOAD RATING: HS-20
- CONCRETE: 4500PSI @ 28 DAYS
- REINFORCING: GRADE 60 REBAR
- SCALE: NTS

- INTERIOR COATED 2 COATS OF APPROPRIATE SEALER
- PLASTIC BAFFLES, GAS DEFLECTOR- OUTLET
- WEIGHT OF TANK BASE: 33,000 LBS. ±
- WEIGHT OF LID: 11,000 LBS. ±

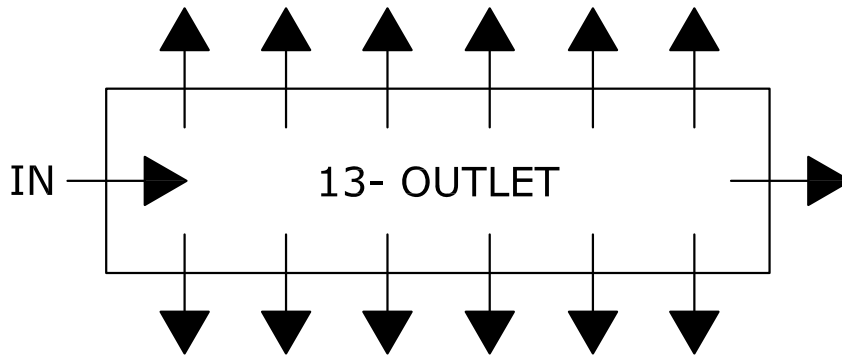
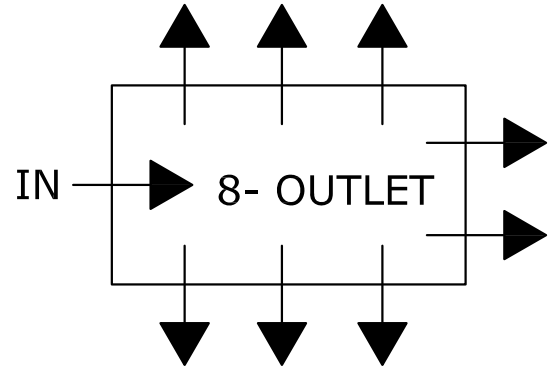
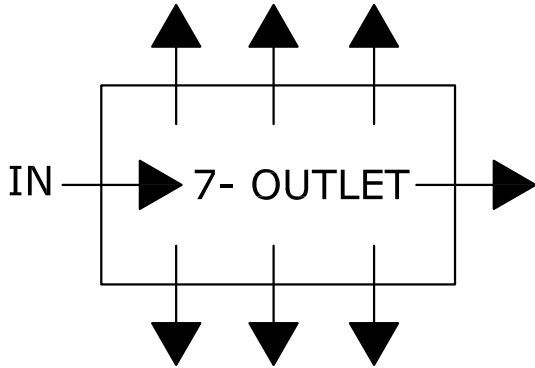
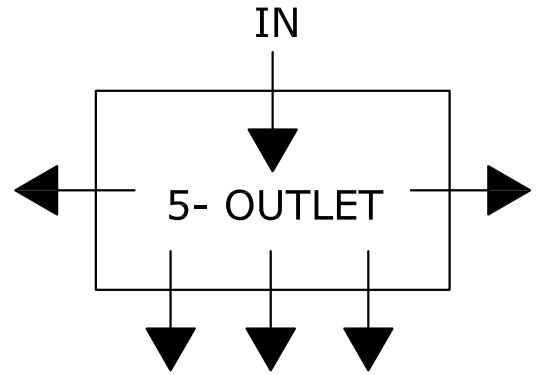
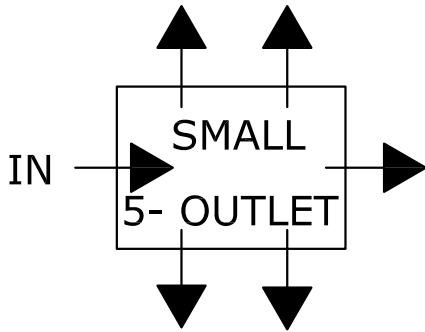
**A-33**

973.838.3060p - [www.peerlessconcrete.com](http://www.peerlessconcrete.com) - 973.838.3385f

Butler, NJ

**PEERLESS CONCRETE PRODUCTS CO.**

—SINCE 1959—



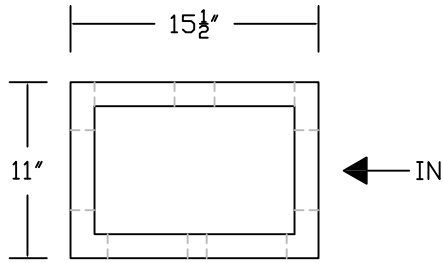
**DISTRIBUTION BOX GUIDE**  
(AS BUILT BY PEERLESS)

NOTES:

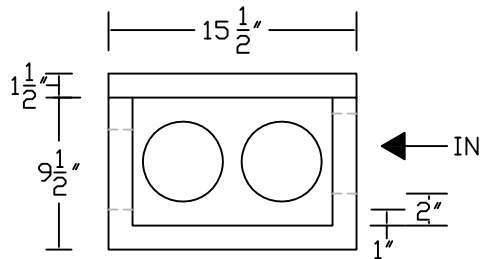
- 4" PIPE SEALS

# PEERLESS CONCRETE PRODUCTS CO.

— SINCE 1959 —

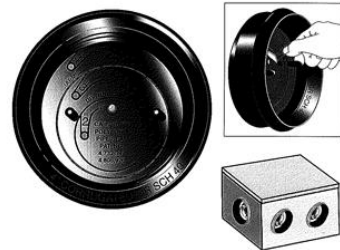


PLAN VIEW



SECTION VIEW

IMAGE 1



## 5 OUTLET SMALL DISTRIBUTION BOX

(AS BUILT BY PEERLESS)

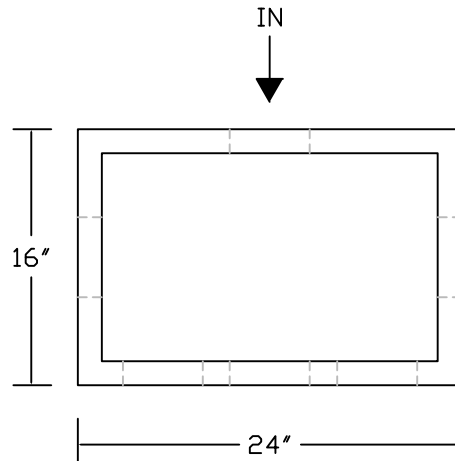
### NOTES:

- CONCRETE: 4,500 PSI @ 28 DAYS
- SCALE: 1"=1'-0"
- NOT DESIGNED FOR TRAFFIC BEARING APPLICATIONS
- WATERTIGHT PLASTIC SEALS TO ACCOMMODATE 4" PIPE (SEE IMAGE 1)
- INTENDED USE IN SEPTIC INSTALLATIONS;

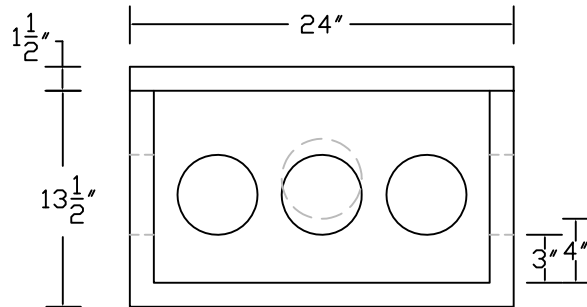
**A-35**

# PEERLESS CONCRETE PRODUCTS CO.

—SINCE 1959—

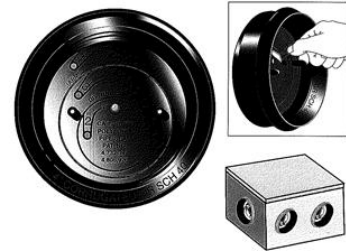


PLAN VIEW



SECTION VIEW

IMAGE 1



## 5 OUTLET DISTRIBUTION BOX (AS BUILT BY PEERLESS)

### NOTES:

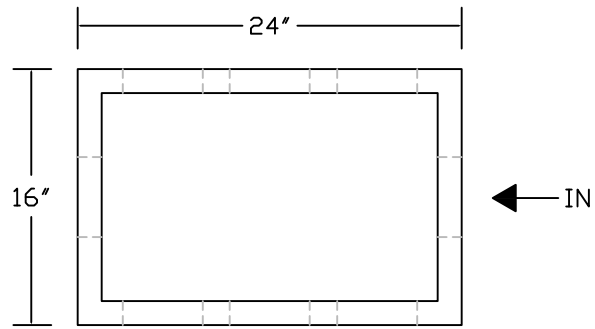
- CONCRETE: 4,500 PSI @ 28 DAYS
- SCALE: 1"=1'-0"
- NOT DESIGNED FOR TRAFFIC BEARING APPLICATIONS
- WATERTIGHT PLASTIC SEALS TO ACCOMMODATE 4" PIPE (SEE IMAGE 1)
- INTENDED USE IN SEPTIC INSTALLATIONS;

**A-36**

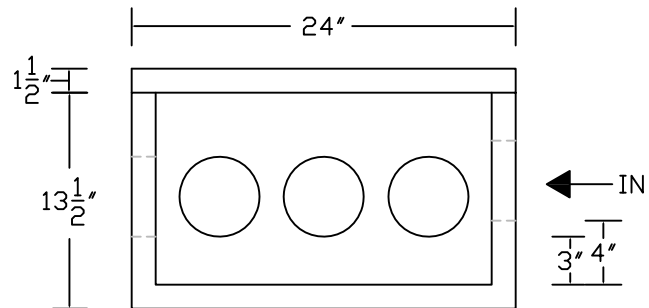
**973.838.3060p - www.peerlessconcrete.com - 973.838.3385f**  
**Butler, NJ**

# PEERLESS CONCRETE PRODUCTS CO.

—SINCE 1959—

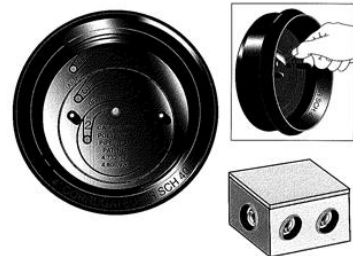


PLAN VIEW



SECTION VIEW

IMAGE 1



## 7 OUTLET DISTRIBUTION BOX

(AS BUILT BY PEERLESS)

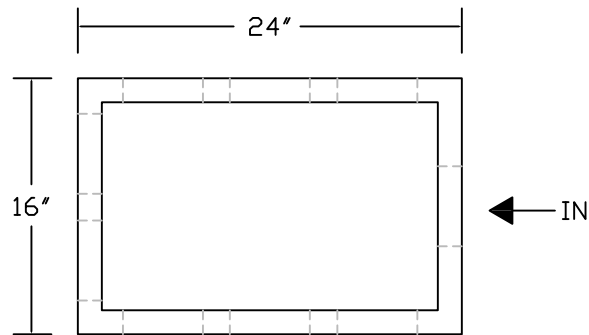
### NOTES:

- CONCRETE 4,500 PSI @ 28 DAYS
- SCALE: 1"=1'-0"
- NOT DESIGNED FOR TRAFFIC BEARING APPLICATIONS
- WATERTIGHT PLASTIC SEALS TO ACCOMMODATE 4" PIPE (SEE IMAGE 1)
- INTENDED USE IN SEPTIC INSTALLATIONS;

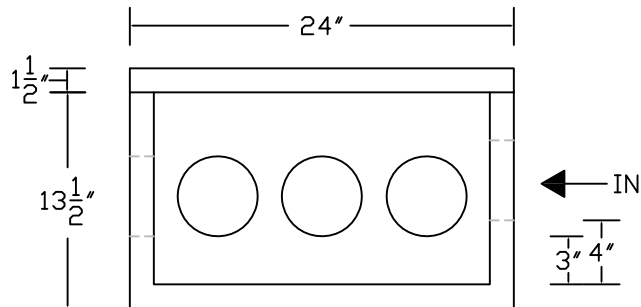
**A-37**

# PEERLESS CONCRETE PRODUCTS CO.

SINCE 1959



PLAN VIEW



SECTION VIEW

IMAGE 1



## 8 OUTLET DISTRIBUTION BOX

(AS BUILT BY PEERLESS)

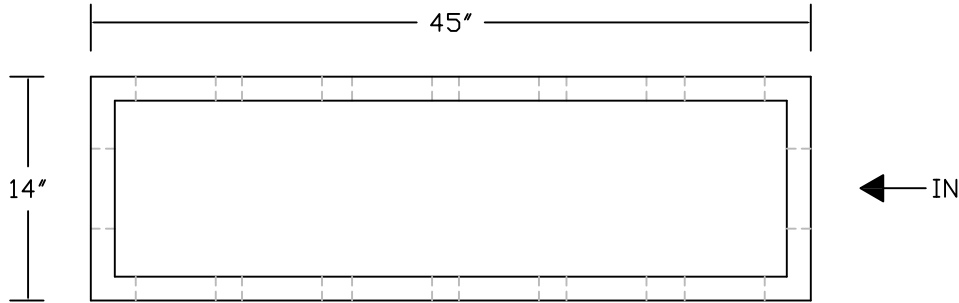
### NOTES:

- CONCRETE 4,500 PSI @ 28 DAYS
- SCALE: 1"=1'-0"
- NOT DESIGNED FOR TRAFFIC BEARING APPLICATIONS
- WATERTIGHT PLASTIC SEALS TO ACCOMMODATE 4" PIPE (SEE IMAGE 1)
- INTENDED USE IN SEPTIC INSTALLATIONS;

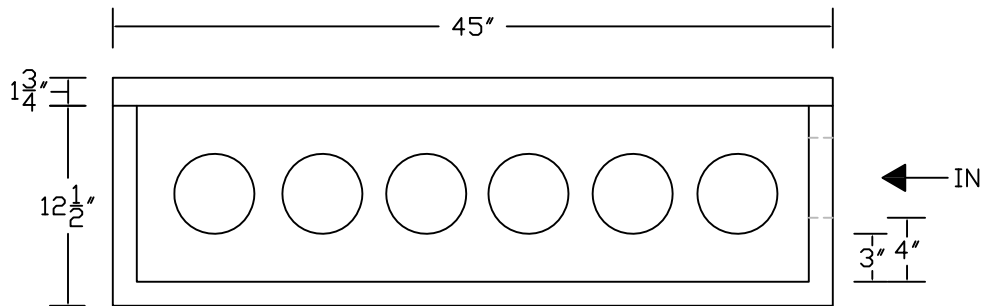
A-38

# PEERLESS CONCRETE PRODUCTS CO.

—SINCE 1959—

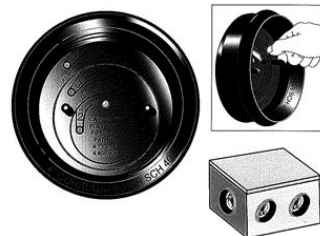


PLAN VIEW



SECTION VIEW

IMAGE 1



## 13 OUTLET DISTRIBUTION BOX (AS BUILT BY PEERLESS)

### NOTES:

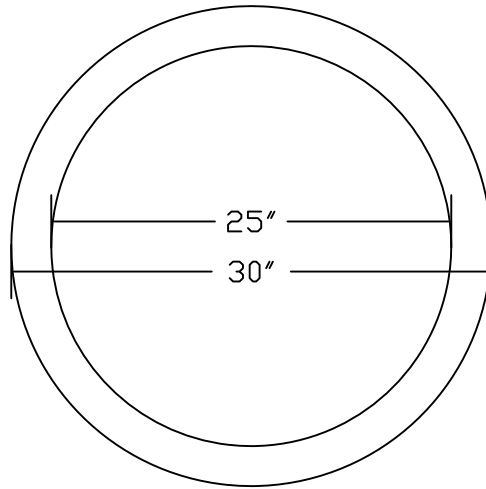
- CONCRETE: 4,500 PSI @ 28 DAYS
- SCALE: 1"=1'-0"
- NOT DESIGNED FOR TRAFFIC BEARING APPLICATIONS
- WATERTIGHT PLASTIC SEALS TO ACCOMMODATE 4" PIPE (SEE IMAGE 1)
- INTENDED USE IN SEPTIC INSTALLATIONS;

**A-39**

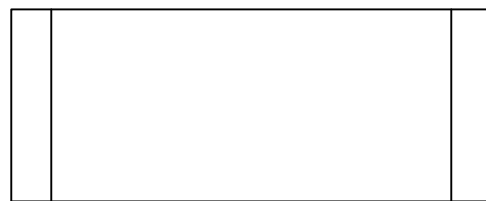
**973.838.3060p - www.peerlessconcrete.com - 973.838.3385f  
Butler, NJ**

# PEERLESS CONCRETE PRODUCTS CO.

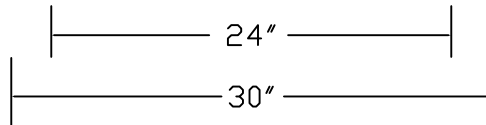
—SINCE 1959—



PLAN VIEW



6", 12",  
18", 24"



SECTION VIEW

## LIGHT DUTY MANHOLE EXTENSION

(AS BUILT BY PEERLESS)

### NOTES:

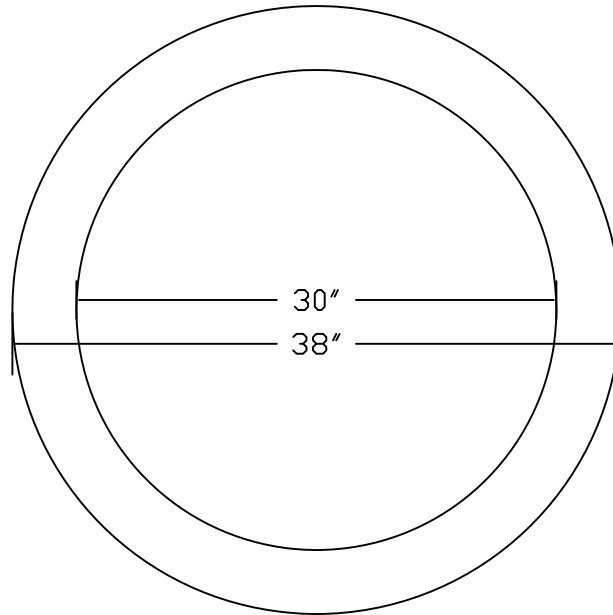
- CONCRETE 4,500 PSI @ 28 DAYS
- FOR USE WITH 24" I.D. MANHOLE OPENING
- SCALE: NTS
- STACK TO DESIRED HEIGHT

**A-40**

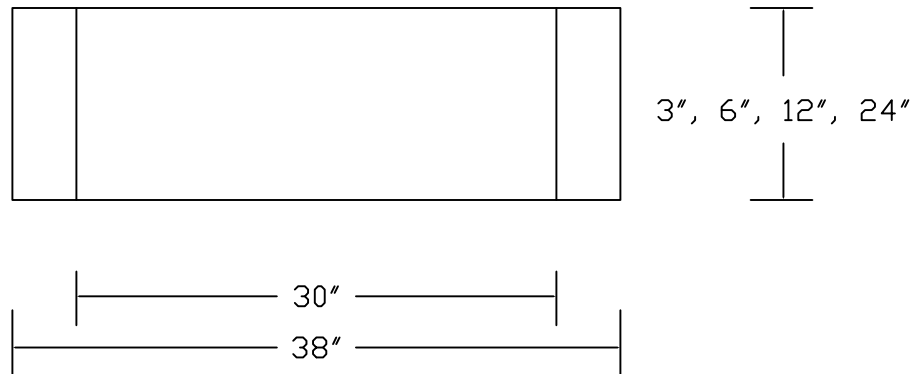


# PEERLESS CONCRETE PRODUCTS CO.

—SINCE 1959—



PLAN VIEW



SECTION VIEW

## **HEAVY DUTY MANHOLE EXTENSION** (AS BUILT BY PEERLESS)

### NOTES:

- CONCRETE: 4,500 PSI @ 28 DAYS  
- SCALE: NTS

- FOR USE WITH 30" I.D. MANHOLE OPENING  
- STACK TO DESIRED HEIGHT

**A-41**

**973.838.3060p - [www.peerlessconcrete.com](http://www.peerlessconcrete.com) - 973.838.3385f**  
**Butler, NJ**