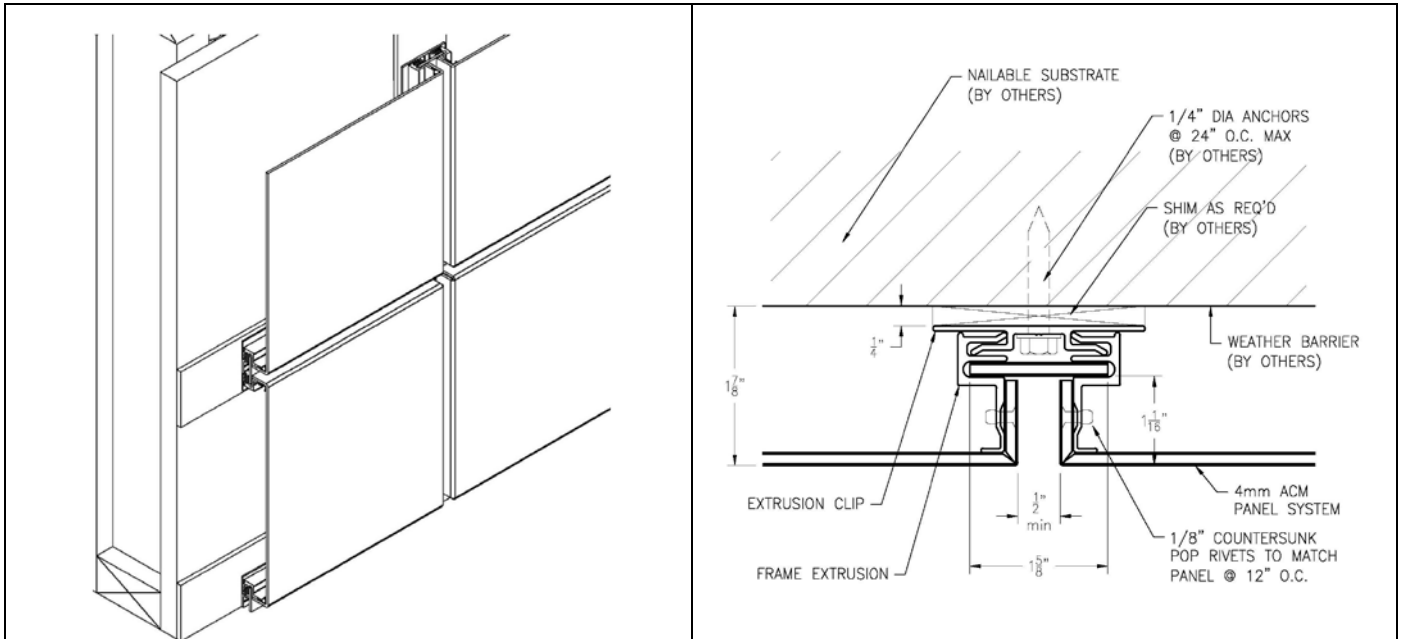


## PRODUCT DATA SHEET

The D7-100 is a route and return aluminum composite panel system using filler strips between panels. It is designed for ease in installation and provides a truly finished look to any facade. The system uses extruded aluminum framing and wall mounted clips for a secure attachment to your substrate. Our system has been independently tested and meets the highest standards in the industry.

### D7-100 Features and Information:

<b>System:</b>	Progressive Installation
<b>Joint Type</b>	Dry Joint with 1/2" reveal and Filler Strips matching panel colors
<b>Underlayment</b>	Waterproofing Weather Barrier Required
<b>Required Substrate</b>	Minimum of 5/8" Plywood waterproofed prior to installation
<b>Radius Surfaces</b>	YES, using our Micro Seam fabrication method
<b>System Depth</b>	1-5/8" Minimum – 1-7/8" Design
<b>Tested Certifications</b>	ASTM E283, E331, E330, E1233 and AAMA 501
<b>Required Maintenance</b>	Minimal : Clean with low pressure water and mild detergents
<b>Thermal Expansion</b>	YES
<b>Price</b>	Ranges with complexity of the project
<b>Weather Sealed</b>	NO
<b>Installation Rating</b>	Easy



<p><b>Material Manufacturers:</b></p> <p>Alpolic (Mitsubishi Plastics) Alucobond (3A Composites) Larson (Alucoil) Reynobond (Alcoa) See Manufacturer for product technical specifications, finish and color options available.</p>	<p><b>Base Material Sizing:</b></p> <p>50" x 196" 62" x 196" Standard Custom Sizes also available PE Core = Polyethylene FR Core = Fire Rated (Mineral)</p>
<p><b>Material Thickness:</b></p> <p>4mm (.157") Standard</p>	<p><b>Panel Extrusions:</b></p> <p>Aluminum Alloy: 6063-T6 Finish</p>
<p><b>System Depth:</b></p> <p>1-5/8" Minimum - Design 1-7/8" Custom Systems Available</p>	<p><b>Fabrication Tolerances:</b></p> <p>Width: 0.08" nominal Length: 0.08" nominal Panel Depth: 0.040" nominal Square: 0.08" nominal</p>
<p><b>Joint Width:</b></p> <p>½" Standard Customer Systems Available</p>	<p><b>Performance Testing:</b></p> <p>ASTM E 283 - Static Air Infiltration ASTM E331 - Static Water Infiltration ASTM E330 - Structural Design Loads (40psf) ASTM E 1233 - Cyclic Air Pressure Differential AAMA 501 - Dynamic Water Infiltration</p>