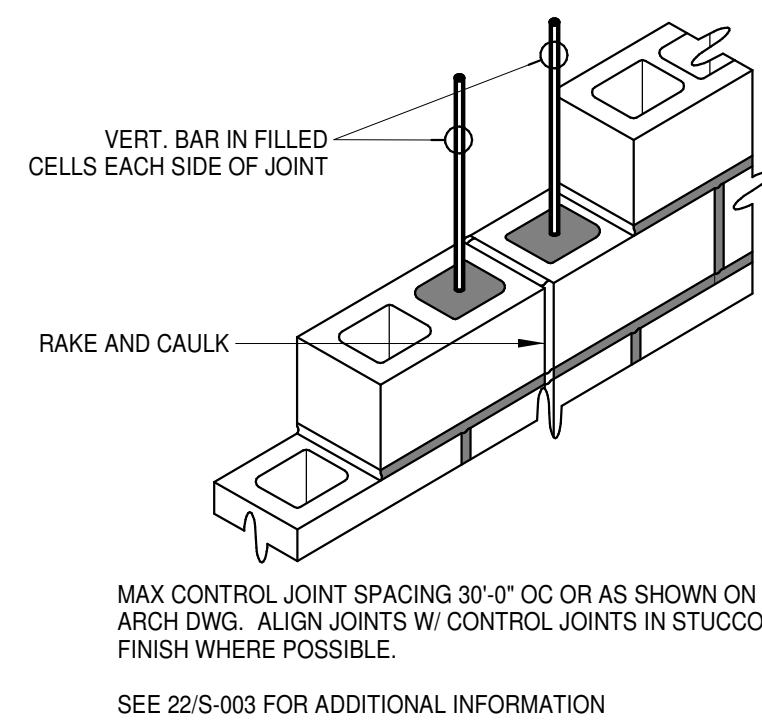
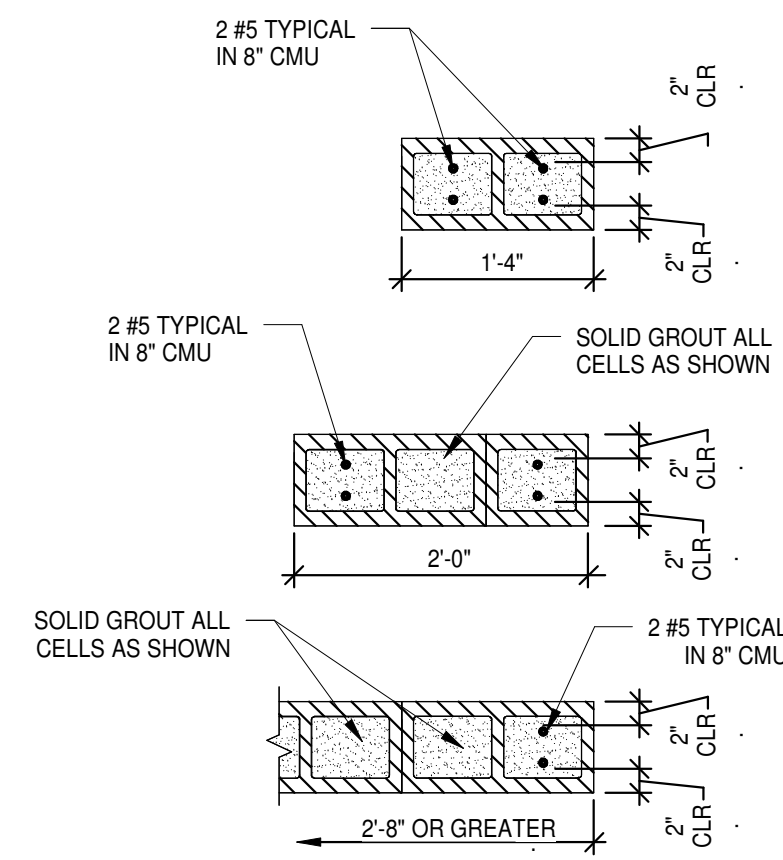


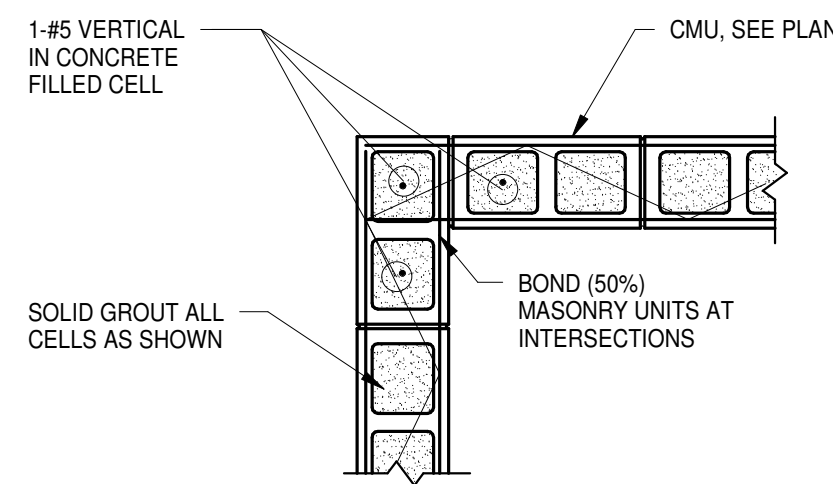
4 VERTICAL REBAR DETAIL IN CMU WALL
S0.2 3/4" = 1'-0"



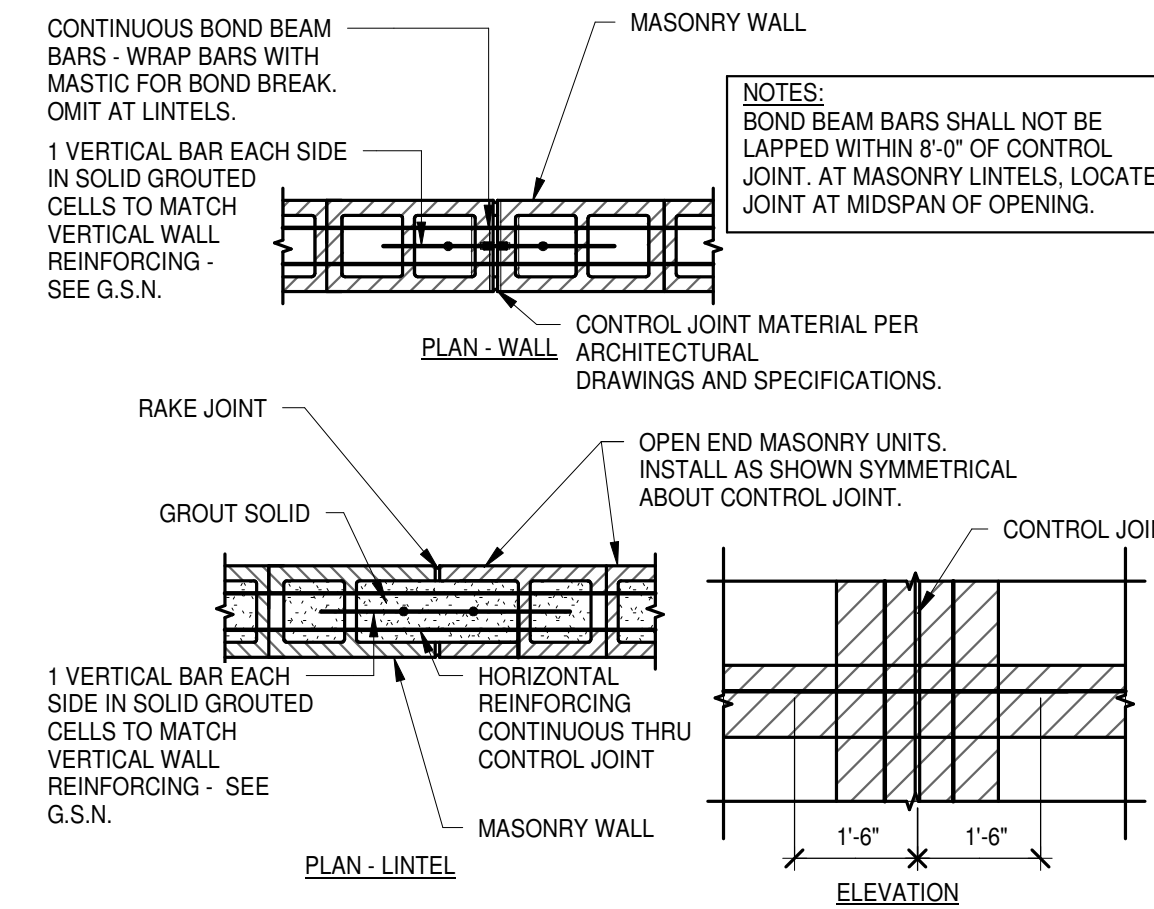
8 MASONRY CONTROL JOINT
S0.2 3/4" = 1'-0"



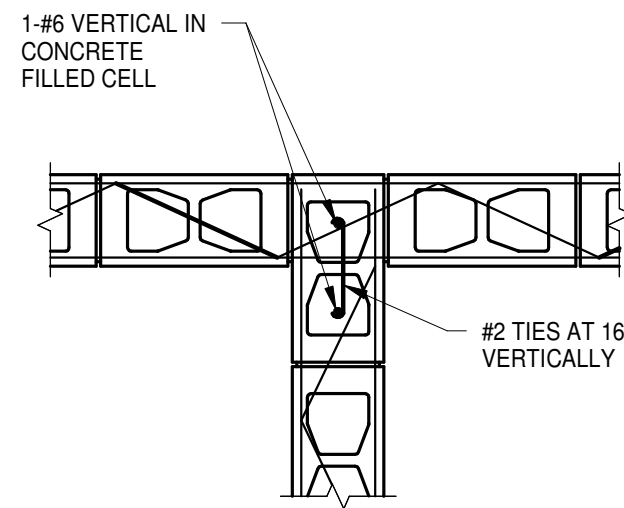
3 REINFORCING MASONRY WALL JAMBS
S0.2 3/4" = 1'-0"



7 TYPICAL REINFORCING AT CMU WALL CORNER
S0.2 3/4" = 1'-0"



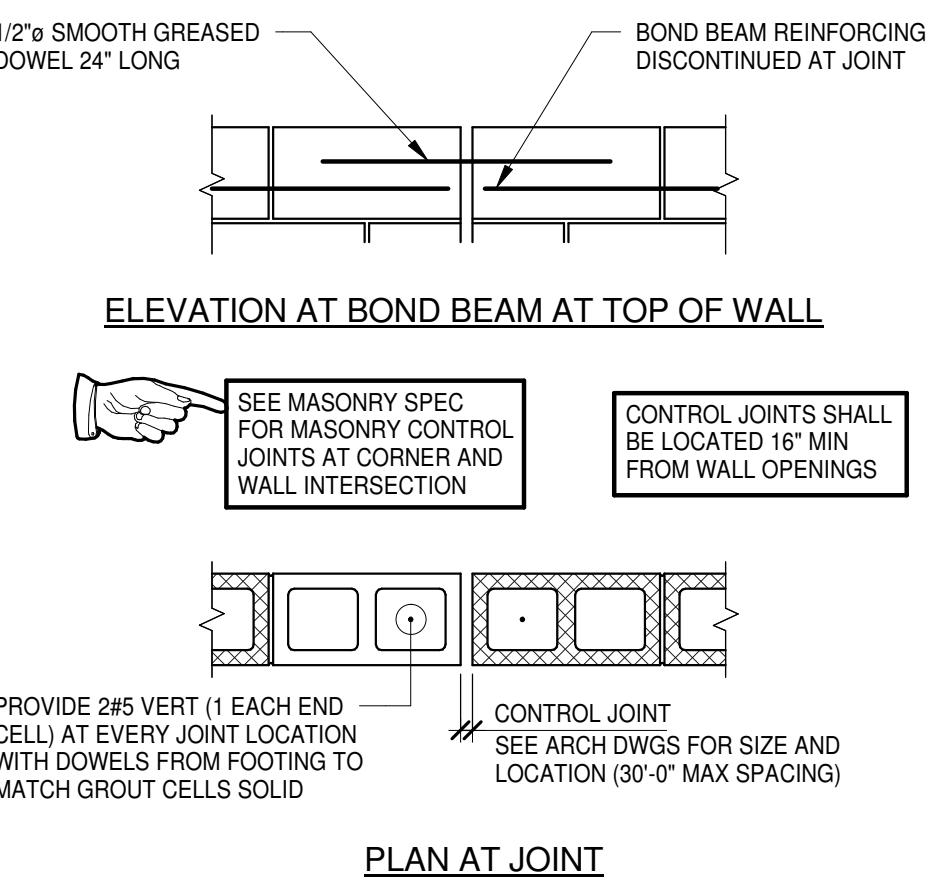
2 CONTROL JOINT IN MASONRY AND LINTEL
S0.2 3/4" = 1'-0"



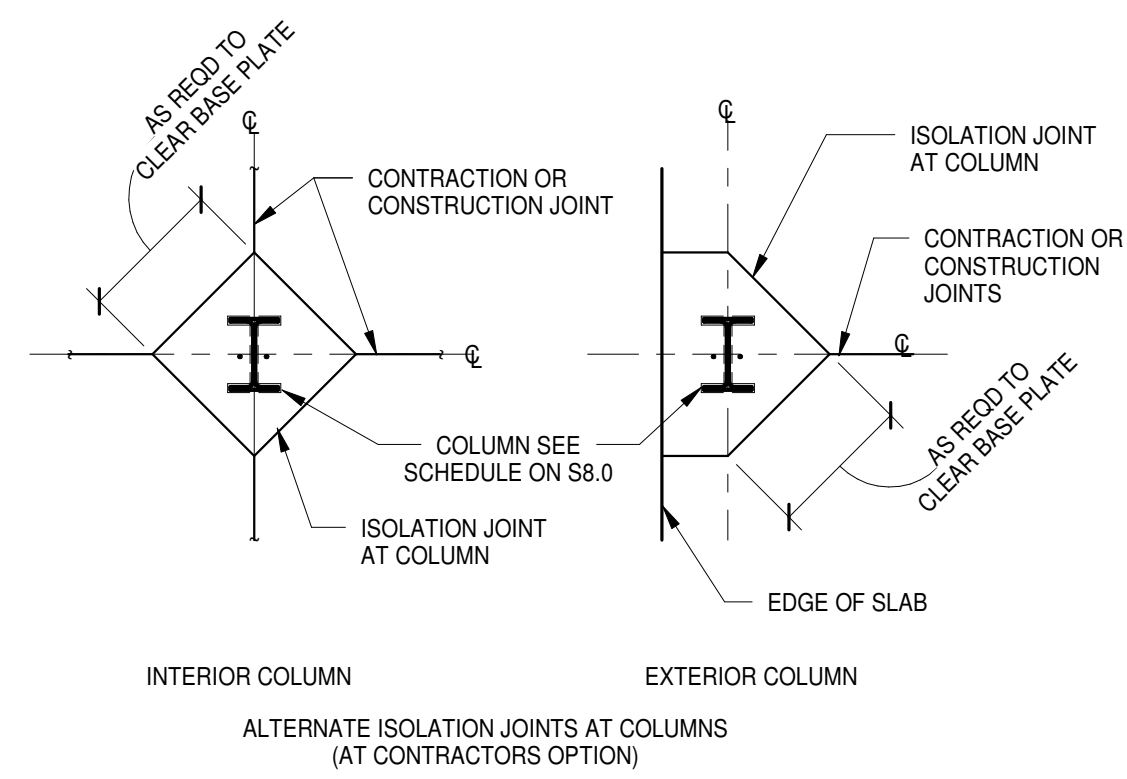
6 TYPICAL REINF AT WALL INTERSECTION
S0.2 3/4" = 1'-0"

REBAR SIZE (METRIC)	REBAR GRADE	MASONRY LAP SPLICE LENGTH				
		STEEL AT CENTER OF WALL			STEEL AT FACE OF WALL (& BOND BEAMS)	
		6" BLK	8" BLK	12" BLK	8" BLK	12" BLK
#4 (13)	60	26"	26"	26"	32"	32"
#5 (16)	60	40"	32"	32"	50"	50"
#6 (19)	60	N/A	58"	58"	100"	100"
#7 (22)	60	N/A	80"	80"	N/A	135"
#8 (25)	60	N/A	N/A	115"	N/A	189"

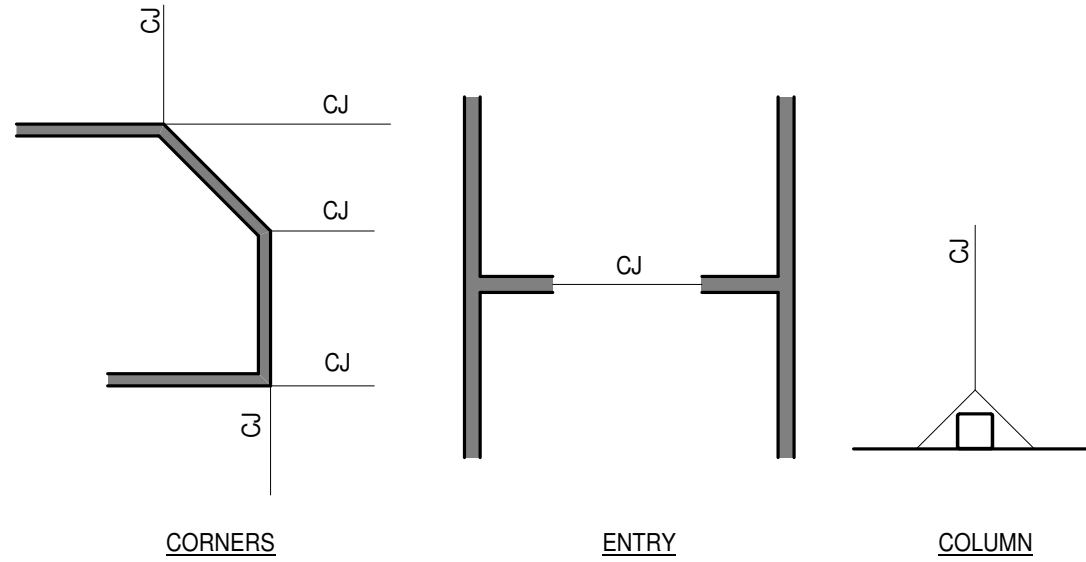
1 MASONRY LAP AND REINFORCING SCHEDULE
S0.2 3/4" = 1'-0"



5 CONTROL JOINT DETAIL IN CMU WALL
S0.2 3/4" = 1'-0"



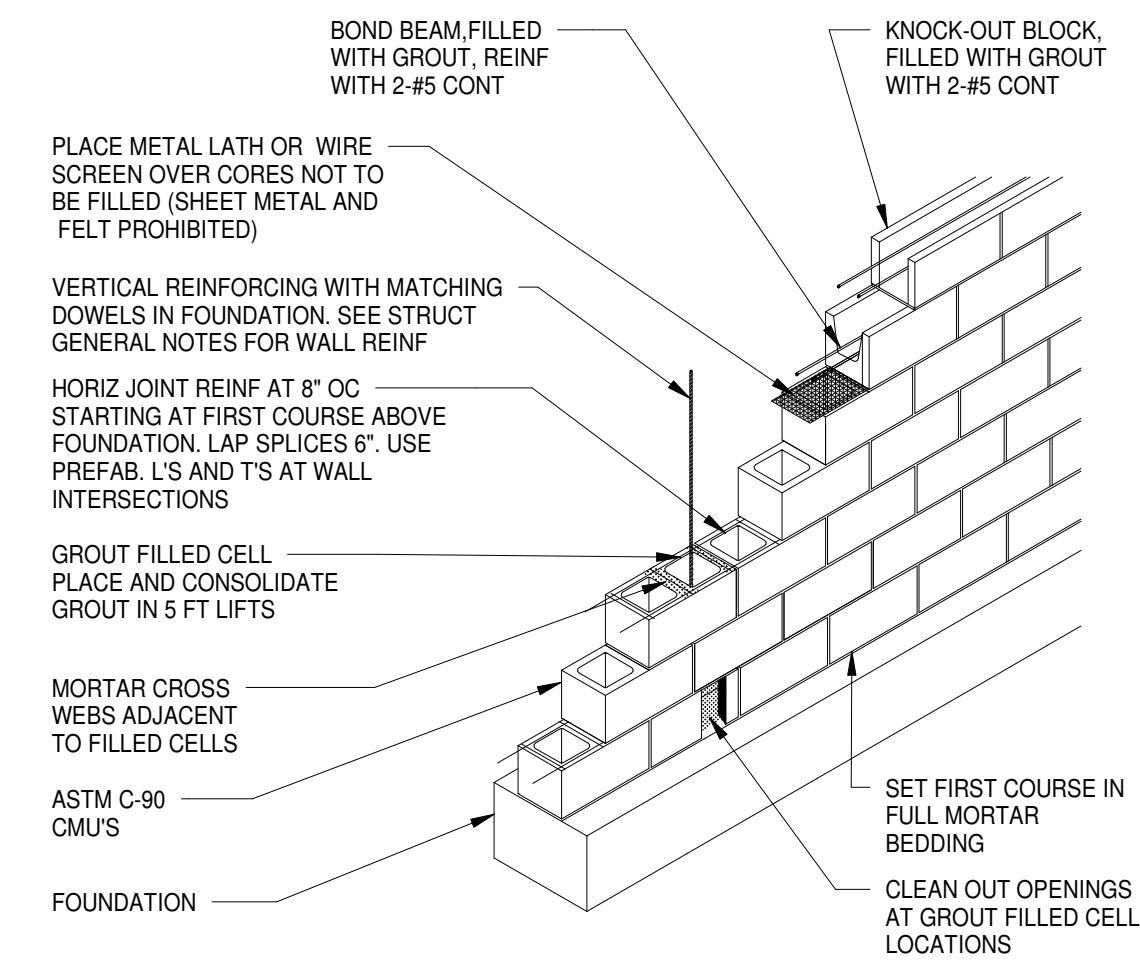
16 TYPICAL ISOLATION JOINT DETAILS AT STEEL COLUMNS
S0.2 3/4" = 1'-0"



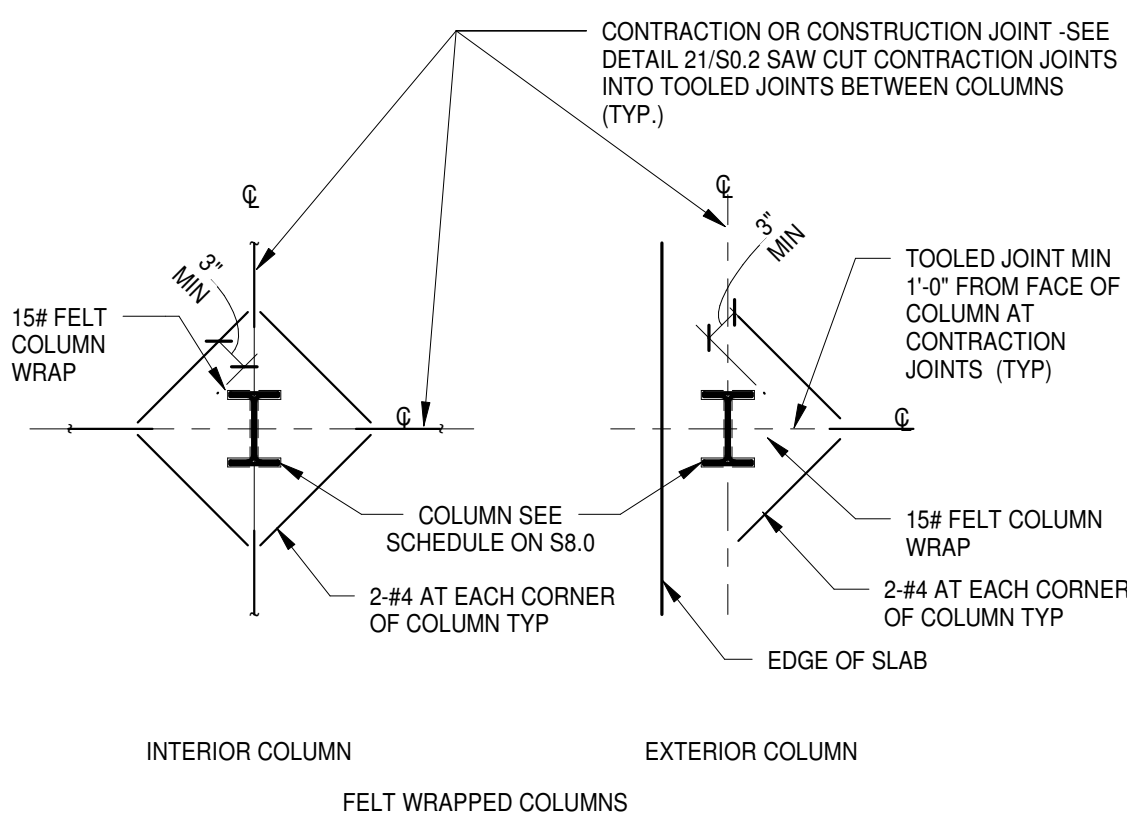
11 TYPICAL CONTROL JOINTS
S0.2 3/4" = 1'-0"

CONC PSI	CLASS B TENSION SPLICE LENGTHS						COMP. BARS	
	f _c =2500/3000 PSI		f _c =4000 PSI		f _c =5000 PSI		STD LAP	ENCLOSED W/SPIRAL TIES
BAR LOCATION	REGULAR	TOP	REGULAR	TOP	REGULAR	TOP		
#3	16" 14"	21" 16"	16" 16"	16" 16"	16" 16"	16" 16"	18" 12"	12"
#4	22" 22"	28" 28"	19" 19"	24" 24"	17" 17"	22" 22"	15" 12"	
#5	27" 27"	35" 35"	23" 23"	30" 30"	21" 21"	27" 27"	18" 14"	
#6	35" 32"	48" 42"	31" 28"	40" 36"	27" 25"	38" 33"	23" 17"	
#7	48" 38"	63" 49"	42" 33"	54" 42"	37" 29"	48" 38"	26" 28"	
#8	63" 43"	82" 58"	55" 37"	71" 46"	49" 33"	64" 43"	30" 23"	
#9	80" 48"	104" 63"	69" 42"	90" 55"	52" 38"	81" 48"	34" 25"	
#10	102" 58"	132" 76"	88" 60"	114" 65"	79" 45"	102" 59"	38" 28"	
#11	125" 71"	162" 93"	108" 82"	140" 80"	97" 65"	128" 72"	42" 32"	

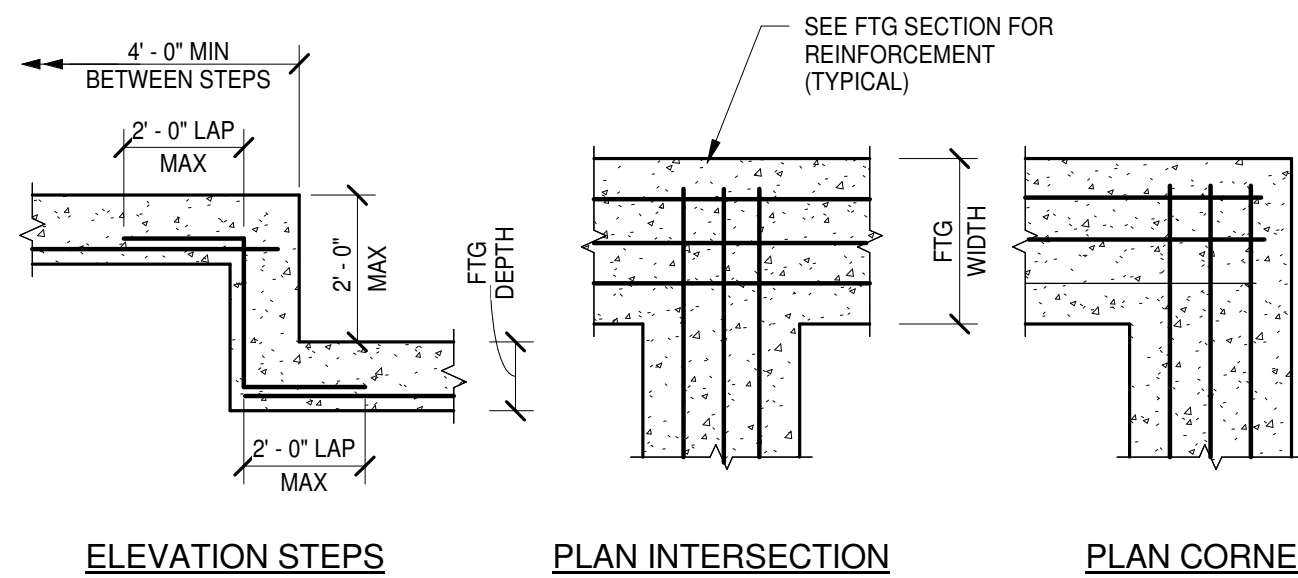
10 TENSION LAP SCHEDULE
S0.2 3/4" = 1'-0"



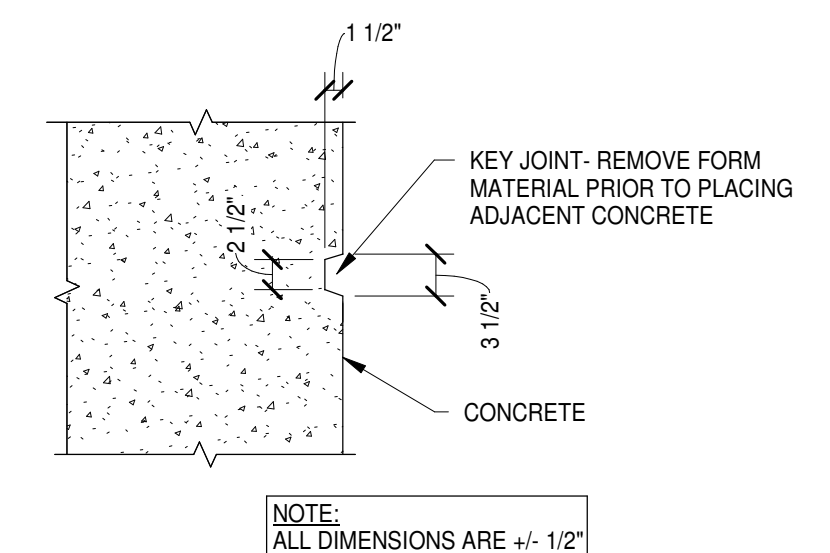
9 TYPICAL CMU WALL CONSTRUCTION
S0.2 3/4" = 1'-0"



15 EXTRA REINFORCING AT RE-ENTRANT CORNERS OF SLABS ON GRADE
S0.2 3/4" = 1'-0"



14 TYPICAL FOOTING / GRADE BEAM SECTION
S0.2 3/4" = 1'-0"



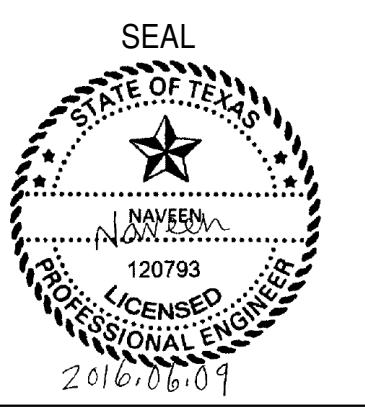
13 TYPICAL KEY IN CONCRETE
S0.2 3/4" = 1'-0"



RADHA KRISHNA TEMPLE
Owner
ALLEN TEXAS

JOB NUMBER: 16DLS003
ISSUE DATE: 04-22-2016
DRAWN BY: SDB
DESIGNED BY: NAV

REVISIONS



SHEET NUMBER
S0.2