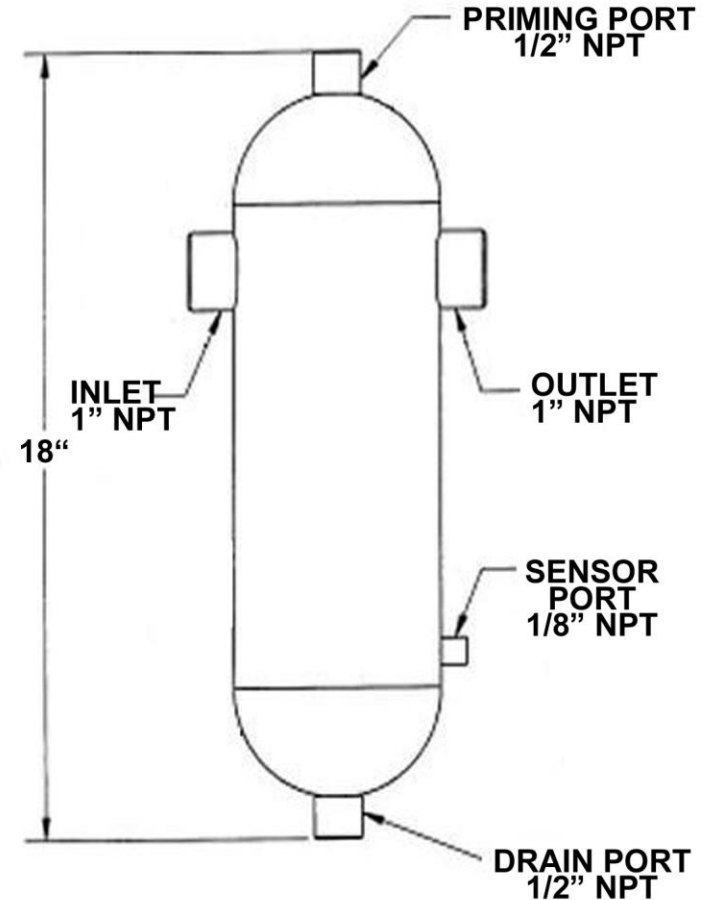
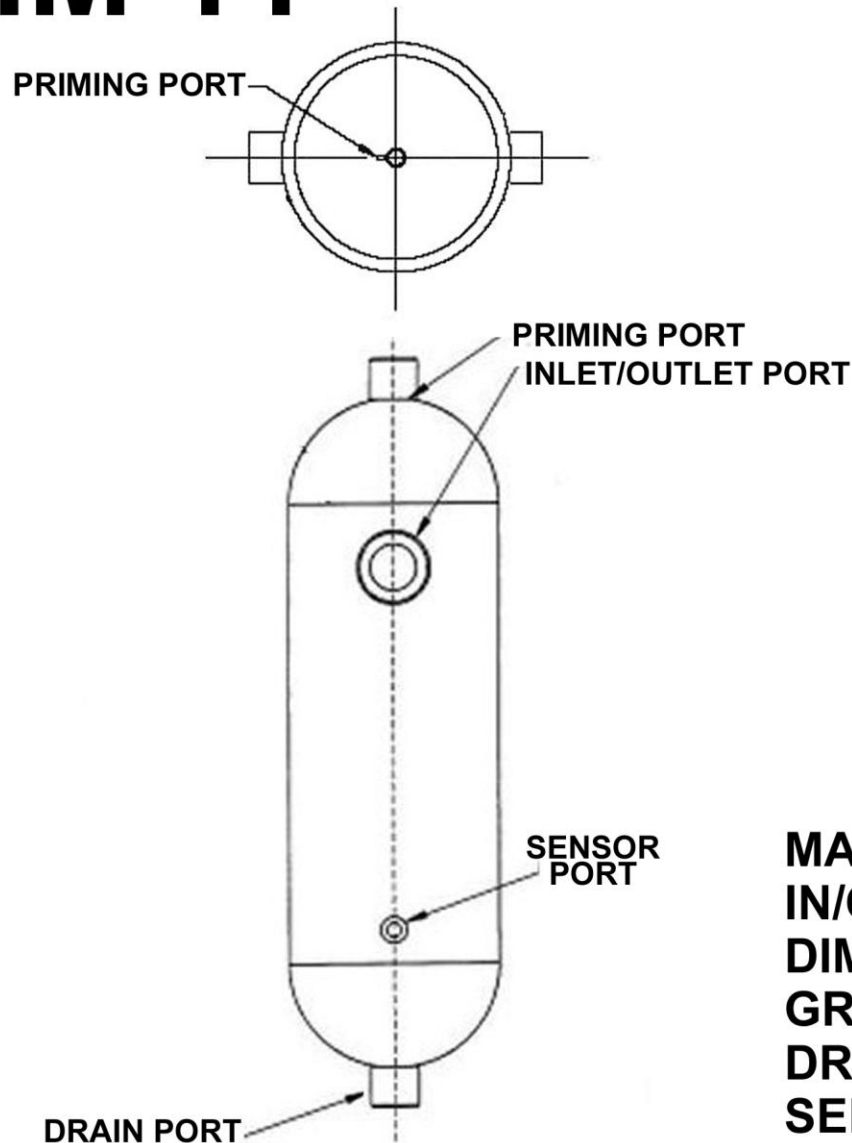



AIM 11



MAX FUEL FLOW: 11 G.P.M. (42 L.P.M.)
IN/OUT FITTINGS: 1" NPT
DIMENSIONS: H 18" D 4"
GROSS WEIGHT; 11 LBS
DRAIN PORT: 1/2" NPT
SENSOR PORT: 1/8" NPT

Drawing References	Statement	Plot scale	Dwg. Scale	Tolerances	 AgrindMar GLOBAL, LLC Tel: +1 866 448 4231 www.agrindmar.com	Model # AIM 11
	These drawings were made on behalf of Agrindmar Global LLC. for the use of their clients only.	1:1	None	Actual Purifier dimensions may vary by + or - 1/4"		Drawing # 1101
		Approved by	Drawn by			Rev
		Date	by	Date	Initials	