

Drapery Hardware Solutions

kirsch.



*Creating layered draperies
Designer Metals 1 3/8" decorative traverse rods
over Superfine basic traverse rod*



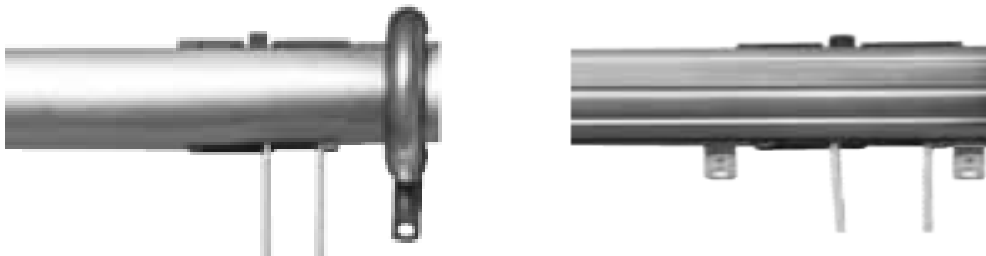
kirsch

Decorative Traverse over Basic Traverse

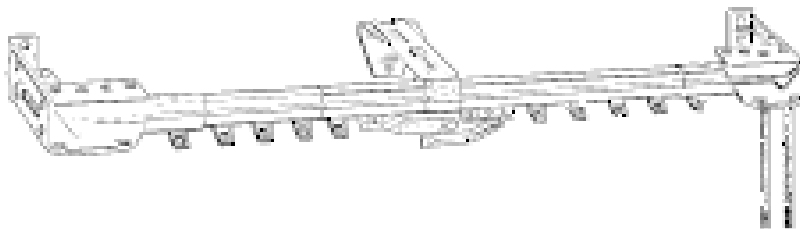


1. Start with a Designer Metals 1 3/8" Traverse Rods and a Superfine traverse rod

Designer Metals rods available in a variety of sizes, styles and finishes

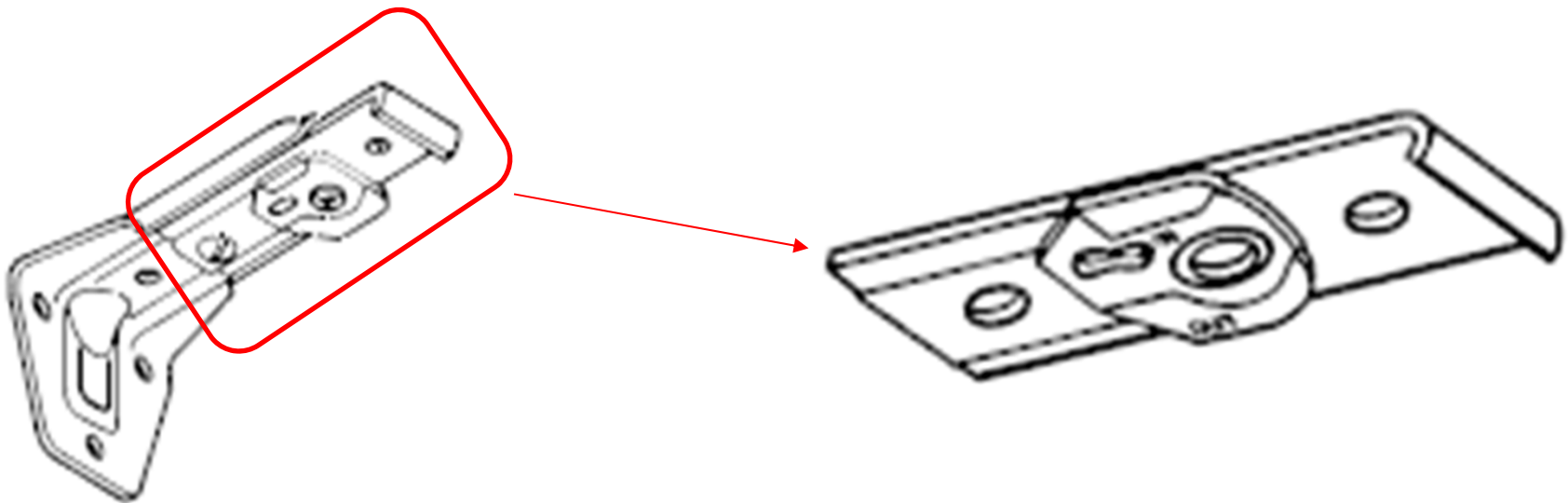


Smooth or Fluted rod profiles
Decorative ring slides or plain slides



2. Remove fore-part from all Traverse Rod brackets

- Both rods automatically include Wall Brackets
- Additional Wall Brackets can be purchased separately

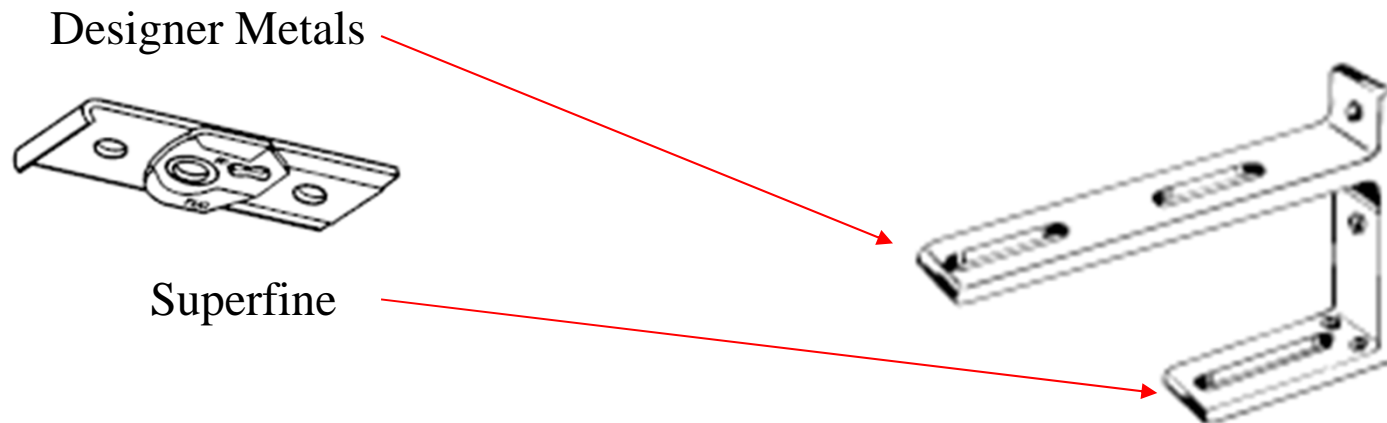


Decorative Traverse over Basic Traverse



3. Add fore-parts to Double Bracket (part # 71132xxx)

- A Double Bracket required for each bracket location
- Refer to Description column in Kirsch Price List to determine how many brackets come with traverse rod



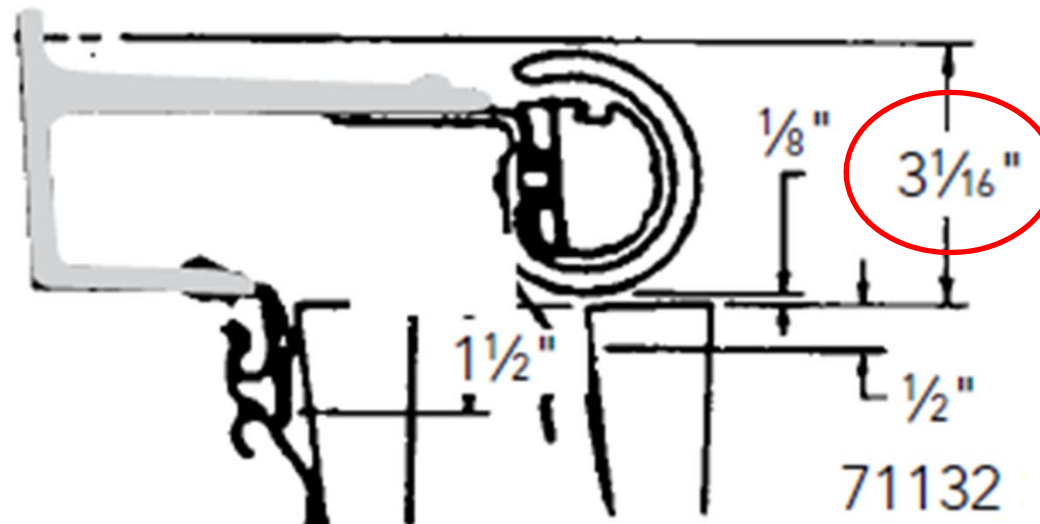
Decorative Traverse over Basic Traverse



Determining Top Hole Mounting Location

Top Hole Mounting Location = +3 1/16" to finished drapery length

Easily determine how high on the wall to mark for the TOP HOLE of the Double Bracket by adding 3 1/16" to the finished length of the drapery
(note: drapery bottom will be 1/2" off floor)



Side view of double treatment

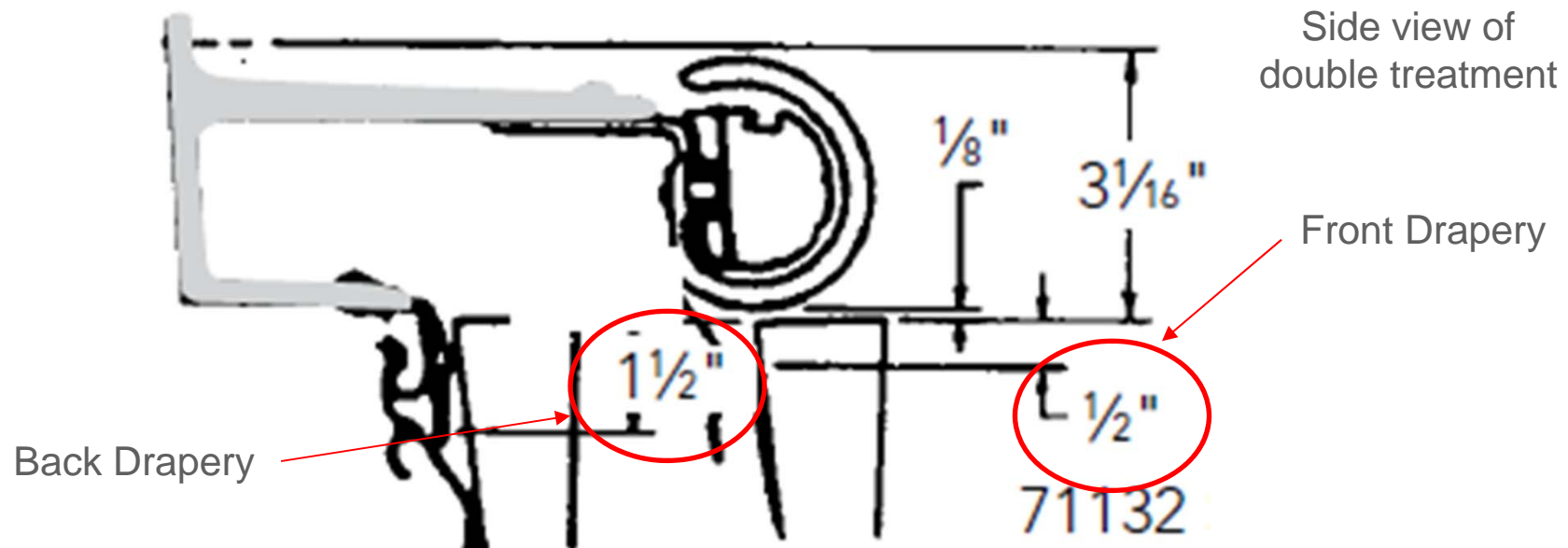


Decorative Traverse over Basic Traverse



Recommended Pin Settings


- Front Drapery pin setting = $\frac{1}{2}$ "
- Back Drapery pin setting = $1\frac{1}{2}$ " (to cover basic traverse rod)



Decorative Traverse over Basic Traverse




Download the PDF "1 - Pager" of this training




Drapery Hardware Solutions:
Decorative Traverse over Basic Traverse
Designer Metals 1 3/8" over Superfine Traverse


Kirsch. DH by Application




1. Start with Designer Metals 1 3/8" Traverse Rod and Superfine Traverse Rod (rods come with wall brackets)



2. Remove fore-part from all Traverse Rod brackets



3. Add fore-part(s) to Double Bracket (part # 71132xxx)

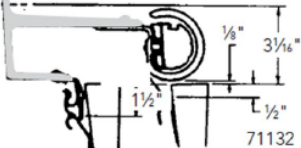


Layered Drapery Treatments

Creates beautiful "Depth" in window
Treatment Offers More Light Control
Better Energy Efficiency
Easy Operation Over Large Windows

Top Hole Mount Location and Pin Settings

Top Hole Mounting Location = +3 1/16" to finished drapery length
Front Drapery pin setting = 1/2"
Back Drapery pin setting = 1 1/2"



- A summary of this training is available in a 1-page PDF
- To Download the PDF, visit your Kirsch Master Distributor's website
- See other great *Kirsch Drapery Hardware Solutions* training shorts



Drapery Hardware Solutions

kirsch.



Thank You!



kirsch