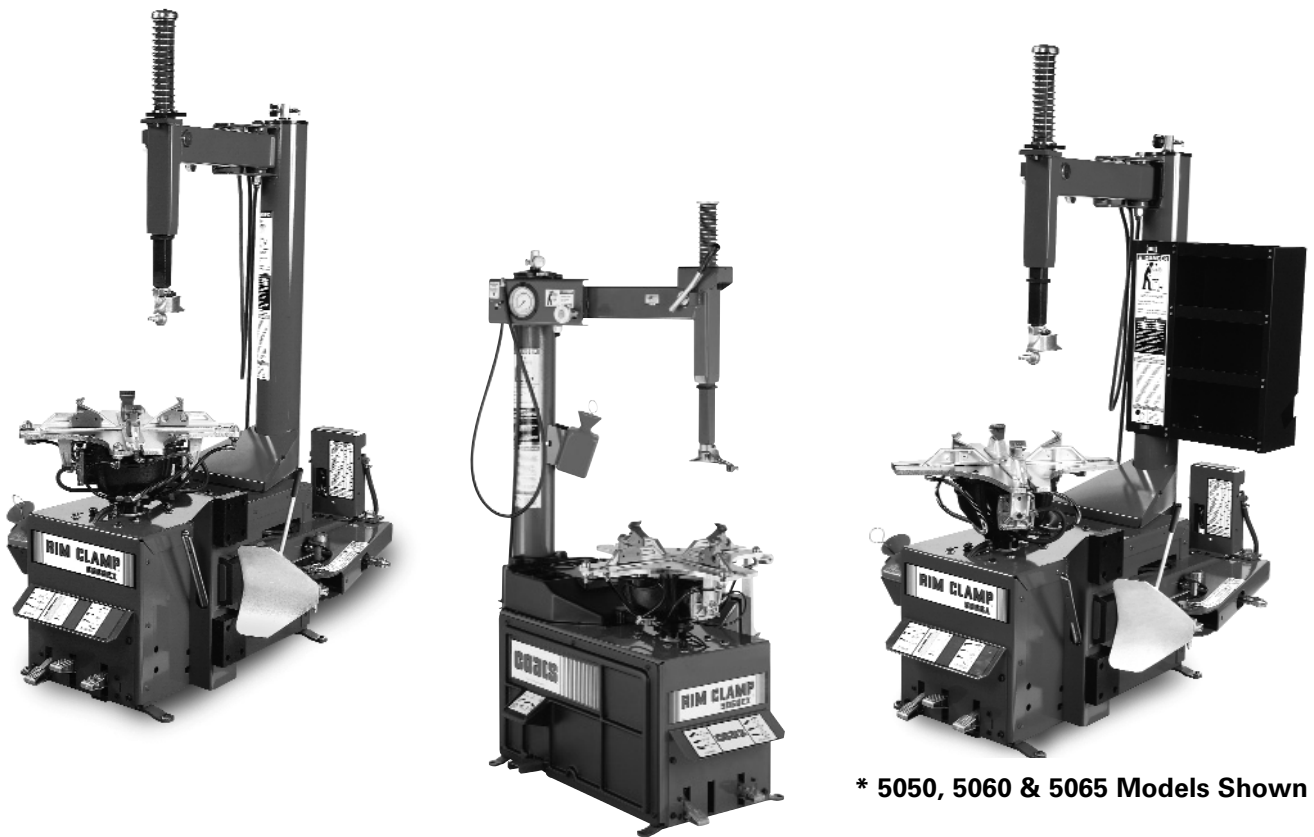


# COATS®

## 5040/5050/5060/5065 AX/EX Rim Clamp® Tire Changer

For servicing single piece automotive and most light truck  
tire/wheel assemblies



\* 5050, 5060 & 5065 Models Shown

### *Parts Identification*

READ these instructions before placing unit in service KEEP these and other materials delivered with the unit in a binder near the machine for ease of reference by supervisors and operators.

**HENNESSY INDUSTRIES, INC.**

1601 J. P. Hennessy Drive, LaVergne, TN USA 37086-3565 615/641-7533 800/688-6359 www.ammcoats.com  
HENNESSY INDUSTRIES INC. Manufacturer of AMMCO®, COATS® and BADA® Automotive Service Equipment and Tools.

Manual Part No.: 8182882 30  
Revision: 06/09

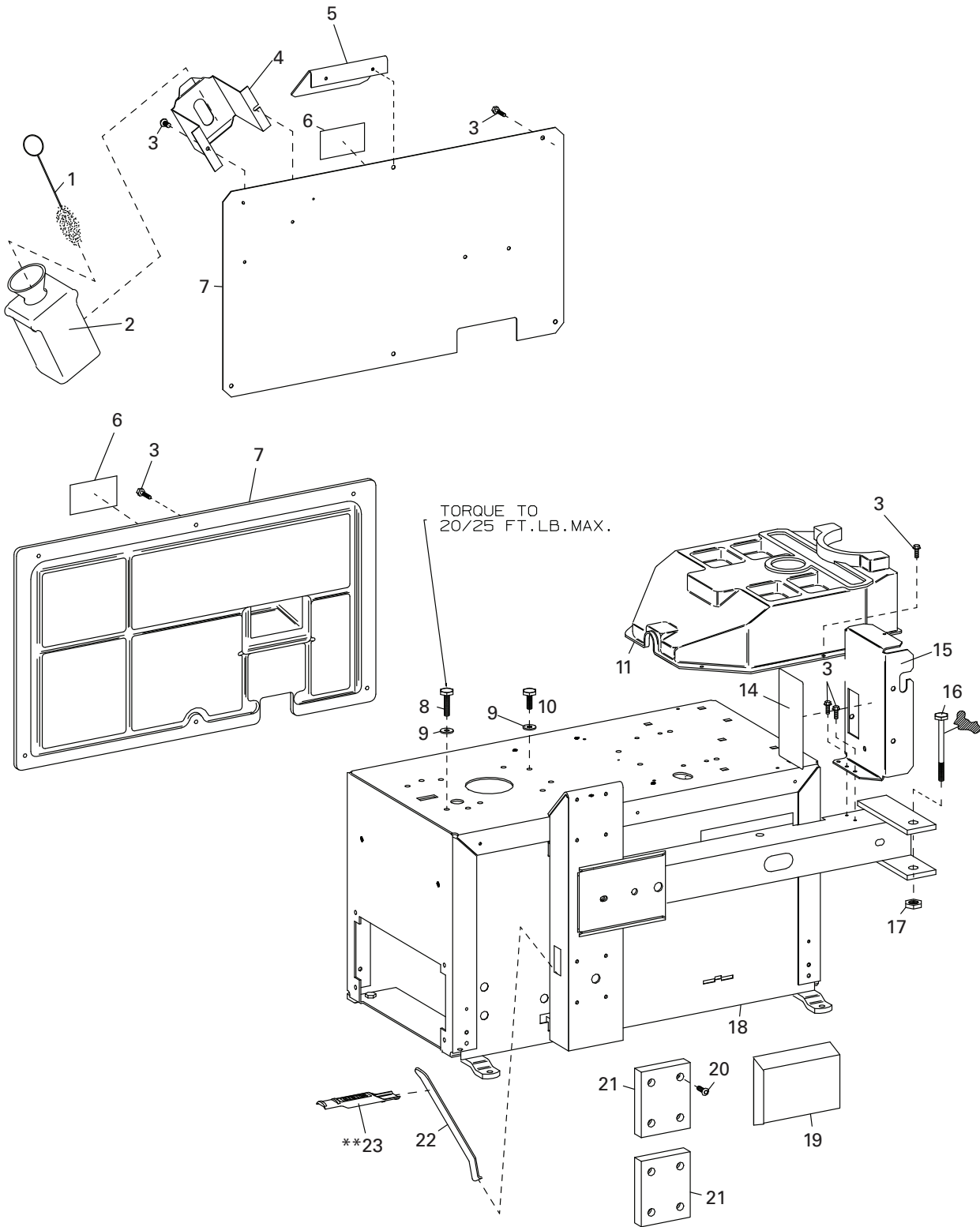
## **Parts Identification**

The following pages include parts breakdowns with exploded view illustrations to help with ordering replacement or spare kits. Assemblies are noted where it is recommended that individual parts not be ordered separately. Note that the parts view illustrations are for multiple models and not all parts shown are on all models. Every effort is made to supply accurate exploded views, however, due to interim changes in manufacturing operations, some units may not be exactly as illustrated.

## **Table of Contents**

<b>Chassis System</b> .....	<b>4 - 5</b>
<b>BL Arm Assembly</b> .....	<b>6 - 7</b>
<b>Table Top and Shaft</b>	
<b>Housing Assembly</b> .....	<b>8 - 9</b>
<b>Foot Pedal Assembly</b> .....	<b>10 - 13</b>
Electric Model Foot Pedal Assembly . . .	10 - 11
Air Model Foot Pedal Assembly . . . . .	12 - 13
Oil Injector Diagram (if equipped) . . . . .	14
<b>Swing Arm Assembly</b> .....	<b>15</b>
<b>Inflation Bracket and</b>	
<b>Tower Assembly</b> .....	<b>16 - 17</b>
<b>Pneumatic Diagrams</b> .....	<b>18 - 21</b>
<b>Electric Schematic</b> .....	<b>22</b>

# Chassis System



 APPLY GREASE TO THESE LOCATIONS

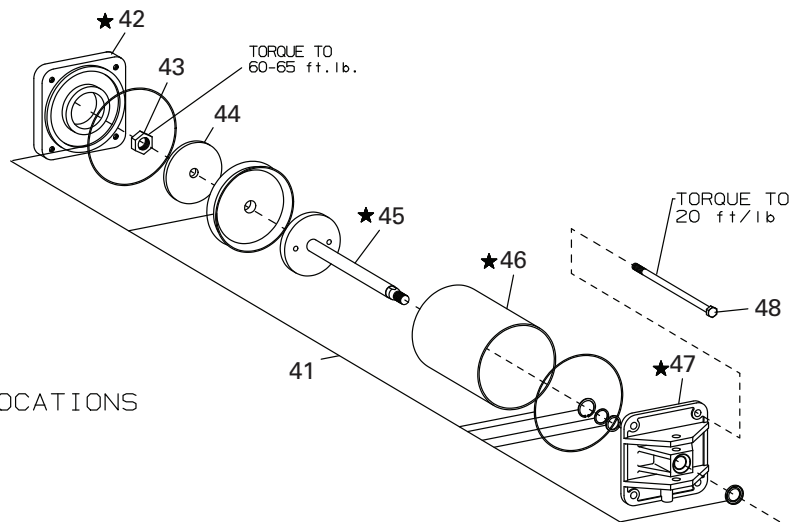
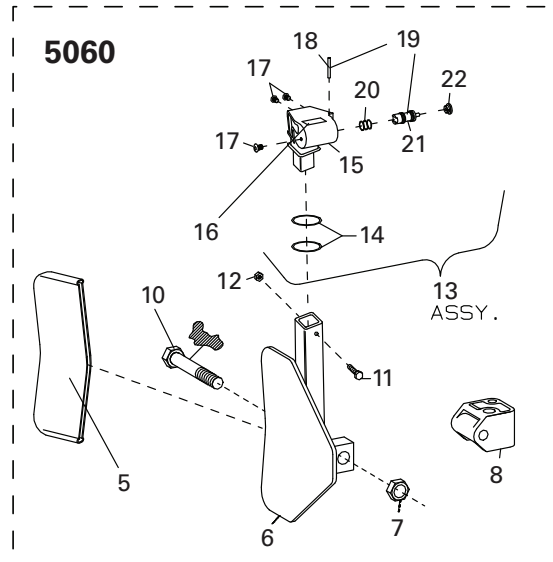
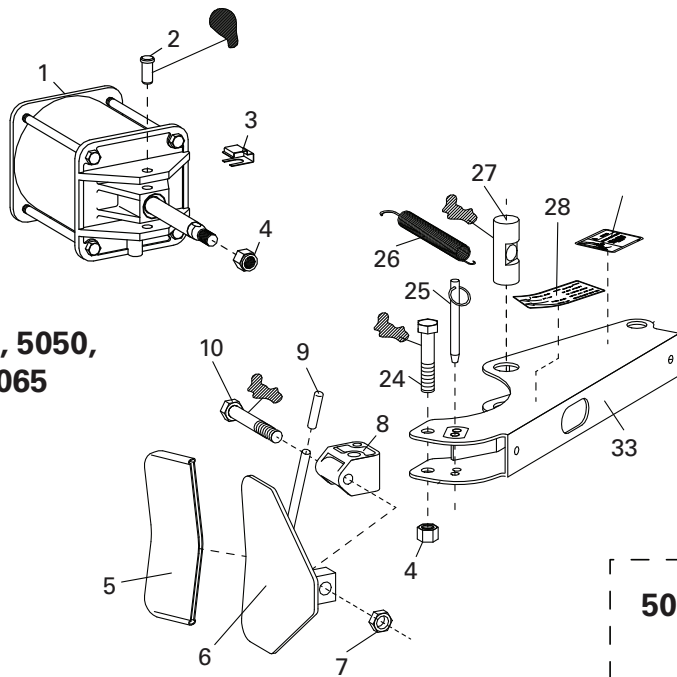
## (Chassis System)

ITEM	PART NO.	DESCRIPTION
1	8000491	Lube Applicator
2	8106259	Lube Bottle - Red
	8182876	Lube Bottle - Black (5060)
3	8106301	1/4" Hex Hd Self Tap Screw, Gr.5
4	8182809	Lube Bottle Brkt - Red
5	8182811	Cover-Infl. Pedal - Red
6	8181285	Inflation Pedal Decal (5060)
7	8182807	Side Panel - Metal
	8182477	Side Panel - Plastic (5060)
8	8182040	10MM x 55MM Hex Hd.Cap Scr, Gr.5
9	8301032	3/8 Flat Washer, Zinc Plate
10	8107715	3/8-16 x 1-1/4 Hex Hd. Cap Scr, Gr.8.8
11	8181964	Plastic Accessory Tray (5060)
14	8183778	Lubrication Notice Decal
15	8183770	Filter/Lube Bracket
16	8182579	3/4-10 x 5 Hex Hd. Cap Scr, Gr.5
17	8182016	3/4"-10 Nylon Insert Lock Nut, Gr.5
18	8182041	Chassis
19	8181855	B.L. Center Pad
20	8182088	5/16 x 1 Torx Screw, Gr.5
21	8181851	B.L. Pad, Front
22	8181354	Bead Lifting Tool
23	**85000783	Bootie Kit, Lift Tool, Pkg of 10

\*\*Indicates Accessory Item

# BL Arm Assembly

5040, 5050,  
5065



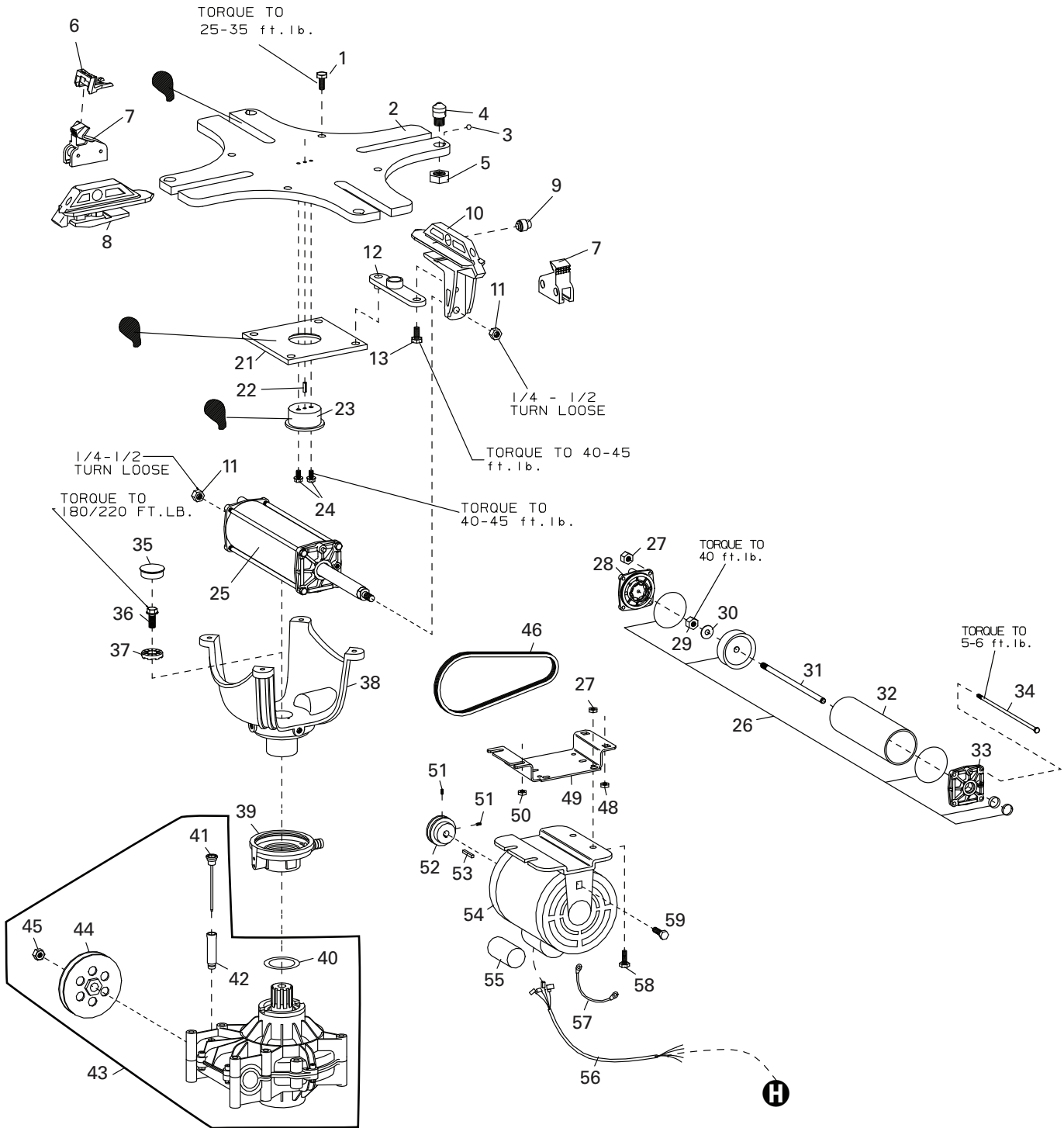
 APPLY GREASE TO THESE LOCATIONS

★ THESE PARTS NOT AVAILABLE FOR SERVICE.

**(BL Arm Assembly)**

<b>ITEM</b>	<b>PART NO.</b>	<b>DESCRIPTION</b>	<b>ITEM</b>	<b>PART NO.</b>	<b>DESCRIPTION</b>
1	8183312	B.L. Cylinder Assembly w/BL Valve (5040, 5050, 5060)	21	8182317	3-Way Miniature Valve (5060)
	8182014	B.L. Cylinder Assembly (5065)	22	8182047	Manual Push Button (5060)
2	8181949	Clevis Pin-5/8 x 1-3/8	24	8182009	3/4-10 x 3 3/4" HHCS (5040, 5050, 5065)
3	8181912	Clip, Clevis	25	8120326	Hitch Pin, $\phi$ 1/2"
4	8182016	3/4"-10 Nylon Insert Lock Nut, Gr.5	26	8180230	B.L. Spring
5	8183606	Bootie Kit, Shoe, Pkg of 2	27	8182550	Pivot Pin, B.L. Cylinder Rod
6	8183529	B.L. Shoe, Handle & Pivot W/C (5040, 5050)	28	8181970	Bead Loosener Caution Decal
	8181953	B.L. Shoe, Handle & Pivot W/C (5060, 5065)	29	8182768	Bead Loosener Caution Decal
7	8182043	5/8-11 Nylon Insert Lock Nut Gr.5	33	8182002	B.L. Arm (5040, 5050, 5060)
8	8181951	B.L. Shoe Pivot Bracket		8182816	B.L. Arm (5065)
9	7000230	Rubber Hand Grip, 1/2 (5040, 5050, 5065)	41	8182079	Seal Kit, B.L. Cylinder
10	8182011	5/8-11 x 5" Hex Hd Cap Scr, Gr.5	42	8183310	B.L. Cylinder Bottom Cap (5040, 5050, 5060)
11	8182013	#10-24 x 1-1/2" Gr.5 HHCS (5060)		8181570	B.L. Cylinder Bottom Cap (5065)
12	8181862	10-24 Nylon Insert Lock Nut Gr.5 (5060)	43	8182016	3/4" NC Locknut Gr. 5 (5040, 5050, 5060)
13	8182352	B.L. Handle/Valve Assembly (5060)		8100957	3/4" NC Locknut Gr. 5 (5065)
14	8182321	$\phi$ 2 x 1/4" Roll Pin O-ring (5060)	44	8181860	B.L. Cylinder Lower Washer
15	8182987	B.L. Handle Housing (5060)	45	8183519	Shaft/Washer Assembly (5040, 5050, 5060)
16	8181971	Decal - B.L. Handle (5060)		8182061	Shaft/Washer Assembly (5065)
17	8182364	#10-32 x 1/4 Gr.5 BHSCS (5060)	46	8181574	B.L. Cylinder Barrel
18	8182319	$\phi$ 3/32 x 1-1/4" Roll Pin (5060)	47	8183309	B.L. Cylinder Top Cap
19	8182725	Valve & Roll Pin Kit (5060)	48	8181862	Tie Bolt, 1/2-13 x 10-1/4" Lg., Gr.5
20	8182318	Handle Spring-B.L. (5060)			

# Table Top and Shaft Housing Assembly



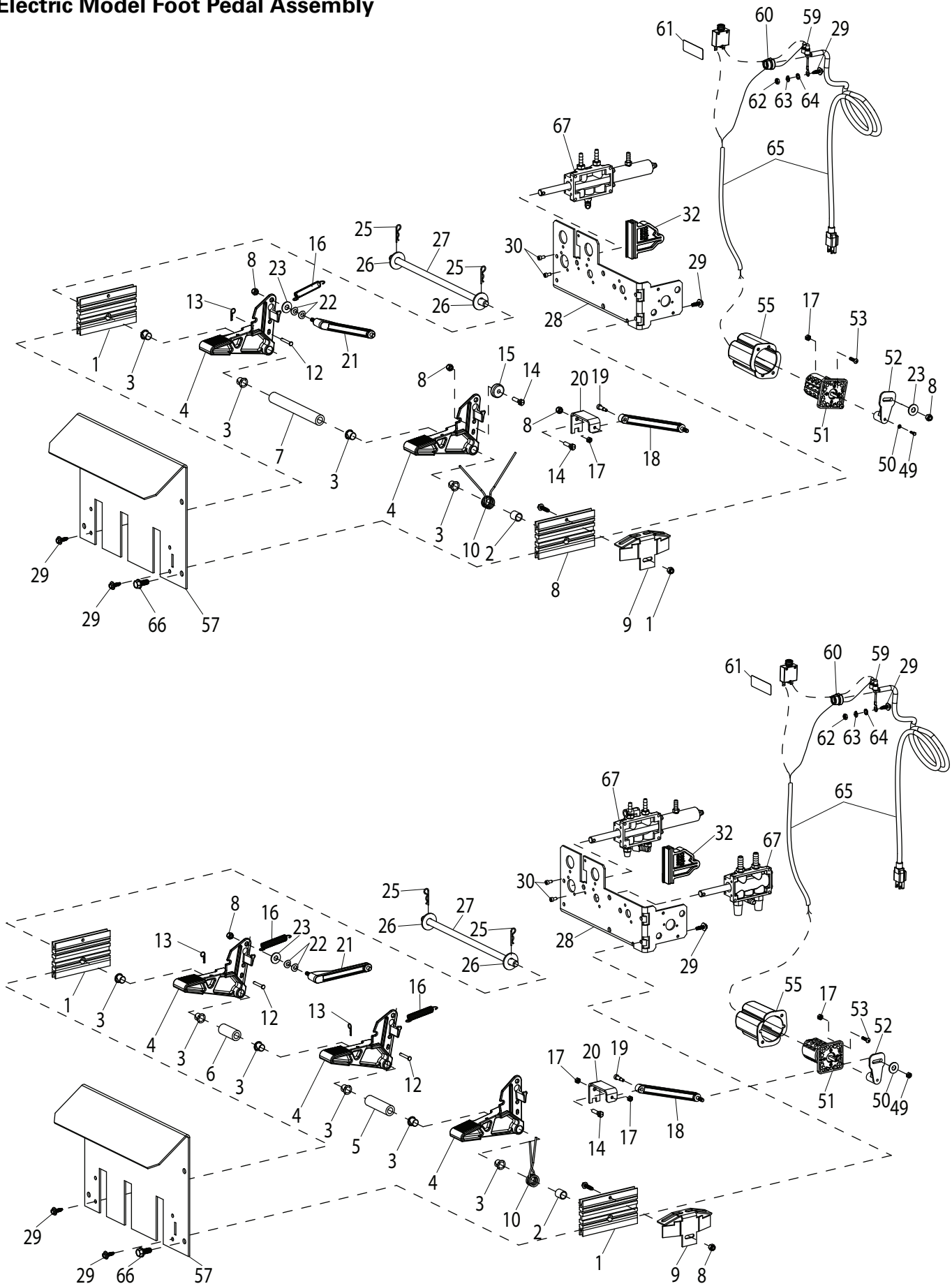


**(Table Top and Shaft Housing Assembly)**

<b>ITEM</b>	<b>PART NO.</b>	<b>DESCRIPTION</b>	<b>ITEM</b>	<b>PART NO.</b>	<b>DESCRIPTION</b>
1	8181929	Skt. Hd. Cap Scr., 3/8-16 x 1", Gr.8	41	8182186	Dipstick-Transmission
2	8181704	Table Top Plate (5050, 5060, 5065)	42	8182185	Tube-Dipstick
	8182952	Table Top Plate w/o Jets (5040, 5060)	43	8185654	Kit-Transmission
3	8182024	1/4" Steel Ball (5060, 5065)	44	8181658	Pulley-Transmission
4	8182025	Inflation Nozzle (5060, 5065)	45	8182162	Nut - Hex, 12MM, Gr.8.8
5	8182083	3/4" Jam Nut	46	8180047	V-Belt, Motor
6	8183604	Bootie Kit, Rim Clamp, Pkg of 10	48	8143044	Tinnerman Sq. Captive Nut 3/8-16
7	8184126EX	Adjustable Rim Clamp	49	8181931	Bracket, Motor Mounting
	8181677	Fixed Position Clamp (5060A CSA)	50	8106303	3/8" Whiz Lock Nut, Gr.5
	8182247	Adjustable Rim Clamp (5040)	51	8180217	5/16-18 x 3/8" Soc.Hd.Set Screw, Gr.5
8	8182249	Carrier/Cover - Clamp Adj. (5050, 5060, 5065)	52	8184674	Pulley-Motor
	8184925	Adjustable Rim Clamp (5040)	53	8180558	Key-Motor
9	8182250	Adj. Clamp Plunger/Spring Assy.	54	8184691	Motor, Electric 115V (5060)
10	8182248	Carrier/Cover - Cylinder End (5050, 5060, 5065)		8182621	Motor, Electric 220V, 50Hz, 1ø (5060)
	8184924	Carrier/Cover - Cylinder End (5040)		8181100	Motor, Electric 115V (5040, 5050, 5065)
11	8101039	Nut - Lock, 1/2", Gr.5	55	85000591	Motor, Electric 220V (5040, 5065)
12	8181734	Pivot Link W/C		8180638	Motor Capacitor Only, 400-480 µFD
13	8181904	Table Top Clamp Link Bolt (5050, 5060, 5065)		85000632	Motor Cable Assembly, 220V (5065)
	8182279	Adj. Clamp Link Bolt (5040)	56	8181511	Motor Cable Assembly, 4-wire, 220V
21	8181731	Pivot Plate - Table Top		8184562	Motor Cable Assembly (5040)
22	8183476	Roll Pin - ø1/4" x 3/4"	57	8180560	Ground Jumper
23	8181733	Pivot Block	58	8120325	5/16-18 x 1 Ser. Wash.Hd.Scr., Gr.5
24	8183452	Flange Whiz-lock Scr., 5/16-18 x 5/8"	59	8120455	10-24 Self Tap Screw, Gr.2
25	8182613	Cylinder Assembly-Table Top			
26	8183772	Seal Kit, T.T. Cylinder			
27	8181183	5/16-18 Nylon Insert Lock Nut Gr.5			
28	8181622	Cylinder Bottom Cap			
29	8182719	1/2-13 Locking Jam Nut, Gr.5			
30	8183771	Washer, Piston			
31	8181629	Shaft, Tabletop Cyl.			
32	8181627	Sleeve, Cylinder			
33	8181620	Cylinder Top Cap			
34	8181633	Tie Bolt, Tabletop Cylinder			
35	8182627	Cap Plug - 1-5/8" Dia.			
36	8181742	16MM x 40mm Hex Head Bolt Gr.10.9			
37	8182979	Washer - Molded, ø16mm			
38	8181990	Spider Assembly			
39	8182619	Rotary Coupling Assembly			
40	8183156	Washer - ø2" X ø2 3/4" x .010			

# Foot Pedal Assembly

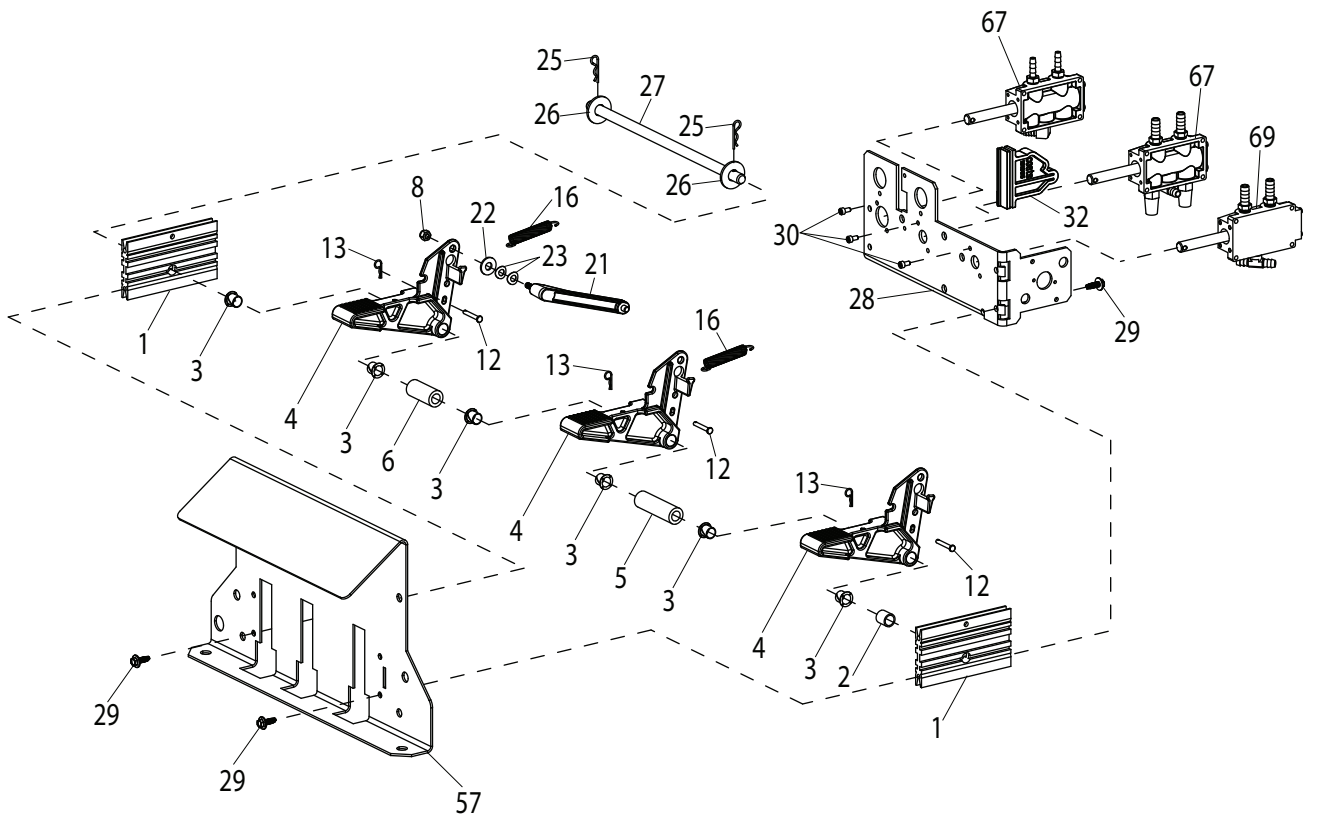
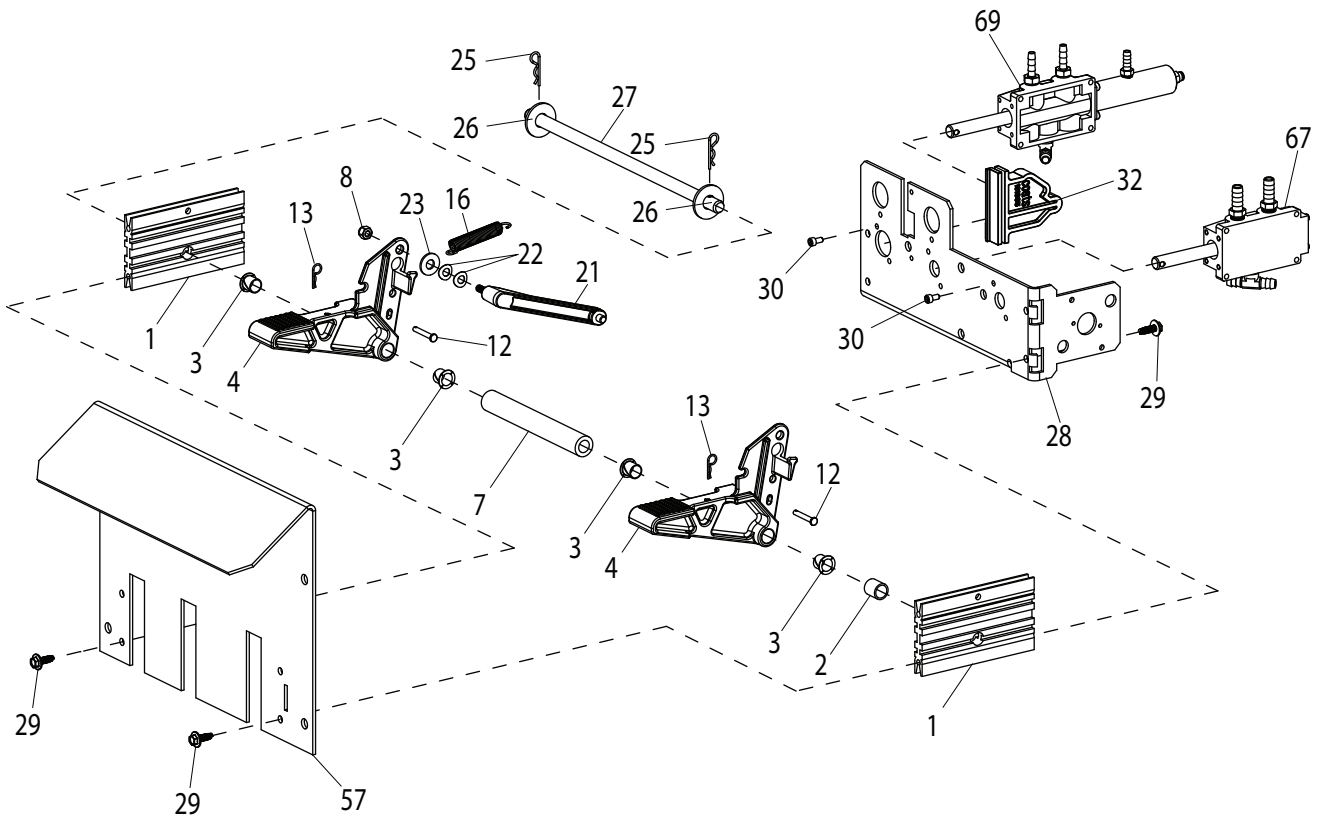
## Electric Model Foot Pedal Assembly



ITEM	PART NO.	DESCRIPTION	ITEM	PART NO.	DESCRIPTION
1	8181918	Bar-Valve Brkt. Spacer	30	8181989	10-24 x 3/8 SHCS, Gr.8
2	8181872	Sleeve-Torsion Spring	32	8181695	Cam-Mounting Block
3	8181948	Bearing-Nyliner, 1/2"	49	8181982	3MM x 12mm HHCS Gr.5
4	8181675	Pedal, Standard	50	8301072	#6 Internal Tooth Lk Washer
5	8182327	Pedal Spacer	51	8184389	Switch-Reversing (switch only)
6	8181911	Spacer-Pedal	52	8181728	Lever - Switch Actuator
7	8182358	Spacer-Pedal	53	8181983	BHSCS 10-24 x 5/8, Gr.8
8	8181369	Nut - Lock, Nyl. Ins., 1/4-20, Gr.5	55	8181959	Cover-Switch
9	8182670	Spring Stop Bracket	57	8182332	Guard-Foot Pedal
10	8181707	Torsion Spring	59	8143254	Wire Joint
12	8181977	Clevis Pin 3/16" x 1-1/2"	60	906077	Strain Relief
13	8120469	Hair Pin Cotter	61	8180237	Caution Decal
14	8181984	Hx.Hd.Cp.Scr., 1/4-20 x 1", Gr.5	62	8107440	14-20 Hex Nut Gr.5
15	8181923	Washer - Stop	63	8301142	Washer, 1/4" Spring Lock
16	8181708	Extention Spring, Pedal	64	8150441	1/4" Star Lock Washer
17	8182682	10-24 Nylon Insert Lock Nut Gr.5	65	8181603	Power Cable Assy (5040)
18	8181699	Lever Assembly - Switch		8184961	Power Cable Assy, 220V (5040)
19	8182743	10-24 x 3/8 SHCSS Gr.8		8181956	Pwr Cable Assy, 115V, w/o breaker (5050, 5060, 5065)
20	8182363	Spacer - Sw Pedal Lever-Red			
21	8181696	Lever-Cam Follower	65	8182257	Pwr Cable Assy 115V w/breaker
22	8181981	Wave Washer, 5/16" I.D.		8182712	Pwr Cable Assy 220V, 50Hz, 1Ø (5060)
23	8107635	5/16" Flat Washer		85000653	Pwr Cable Assy 220V w/o breaker (5065)
25	8111609	Cotter, Hair Pin			
26	8301121	Washer	66	8102459	3/8" Self Tap Screw Gr.5
27	8183398	Pedal Shaft	67	8181986	Valve, 4-Way w/Pull Pin
28	8183031	Bracket-Valve Mounting	*70	8181587	Circuit Breaker (5060 - C.S.A.)
29	8106301	1/4" Hex Hd Self Tap Screw, Gr.5			

\*Not Shown

# Air Model Foot Pedal Assembly

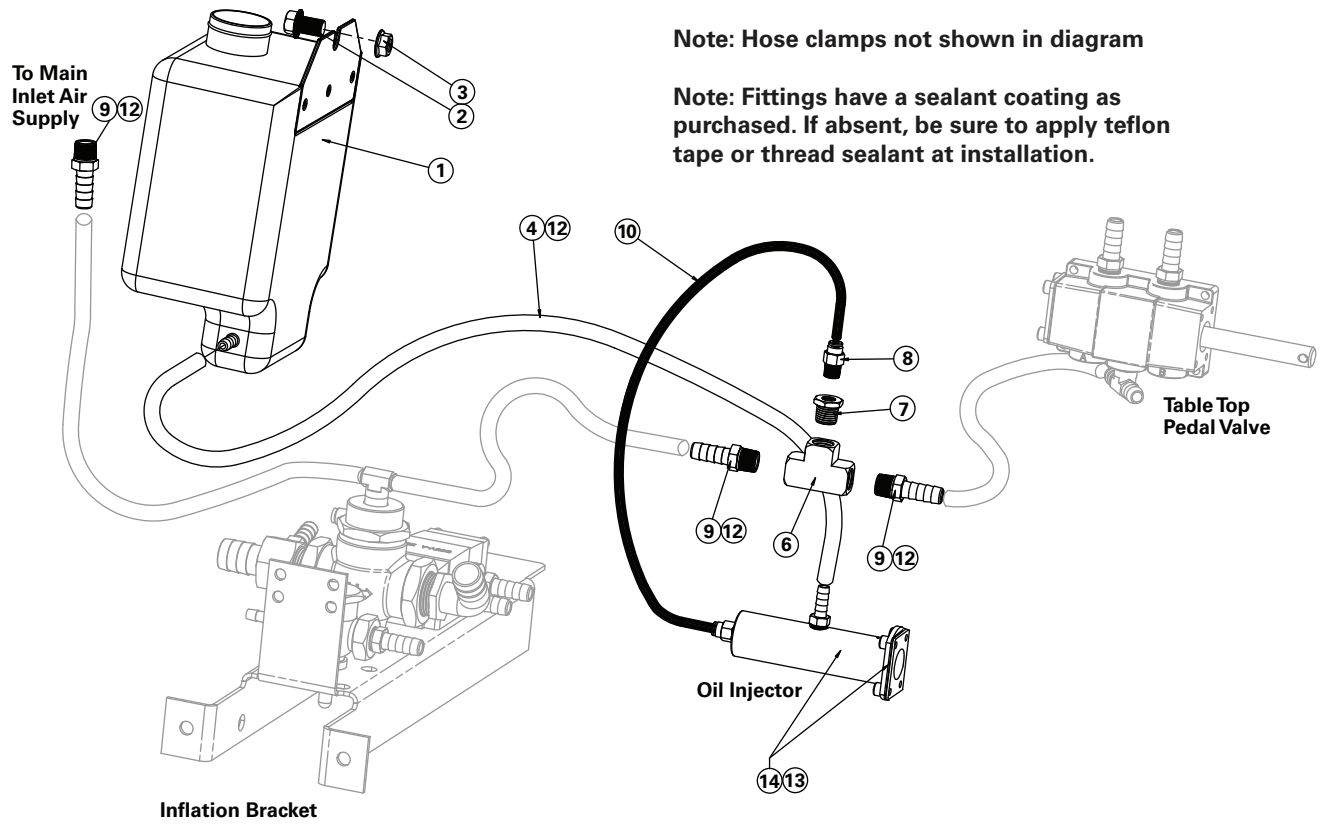


ITEM	PART NO.	DESCRIPTION	ITEM	PART NO.	DESCRIPTION
1	8181918	Bar-Valve Brkt. Spacer	25	8111609	Cotter, Hair Pin
2	8181872	Sleeve-Torsion Spring	26	8301121	Washer
3	8181948	Bearing-Nyliner, 1/2"	27	8183398	Pedal Shaft
4	8181675	Pedal, Standard	28	8183031	Bracket-Valve Mounting
5	8182327	Pedal Spacer	29	8106301	1/4" Hex Hd Self Tap Screw, Gr.5
6	8181911	Spacer-Pedal	30	8181989	10-24 x 3/8 SHCS, Gr.8
7	8182358	Spacer-Pedal	32	8181695	Cam-Mounting Block
8	8181369	Nut - Lock, Nyl. Ins., 1/4-20, Gr.5	57	8182332	Guard-Foot Pedal
12	8181977	Clevis Pin 3/16" x 1-1/2"	67	8181986	Valve, 4-Way w/Pull Pin
13	8120469	Hair Pin Cotter	69	8181986	Valve, 4-Way w/Pull Pin (5050, 5065)
16	8181708	Extention Spring, Pedal		8184369	Valve, 4-Way w/Pull Pin (5040, 5060)
21	8181696	Lever-Cam Follower			
22	8181981	Wave Washer, 5/16" I.D.			
23	8107635	5/16" Flat Washer			

\*Not Shown

## Oil Injector Diagram (If equipped)

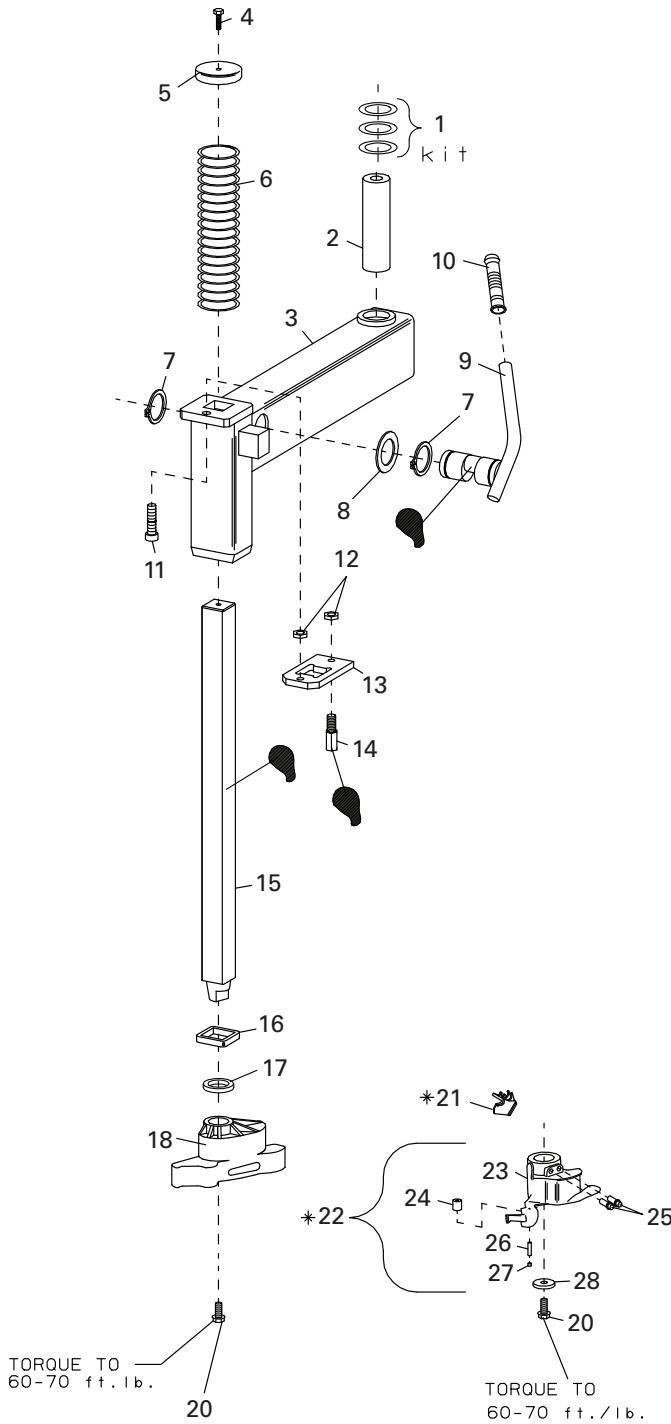
ITEM	PART NO.	DESCRIPTION	ITEM	PART NO.	DESCRIPTION
1	8185629	Tank Reservoir	8	8181996	1/8" Tube x 1/8" Flange Screw
2	8183452	5/16-18 Flange Screw	9	8101898	St. 1/4" NPT 3/8" Hose Fitting
3	924724	5/16-18 Flange Hex Nut	10	85000840	1/8" x 10 Blk Nylon Tube
4	8184243	1/4" x 49" Red Rubber Hose	12	8101428	1/4-5/8 Hose Clamp
6	8000643	1/4" NPT Tee	13	8184686	Spacer Plug
7	8109481	1/8" x 1/4" NPT Reducer	14	8184675	Oil Injector



**Note: Hose clamps not shown in diagram**

**Note: Fittings have a sealant coating as purchased. If absent, be sure to apply teflon tape or thread sealant at installation.**

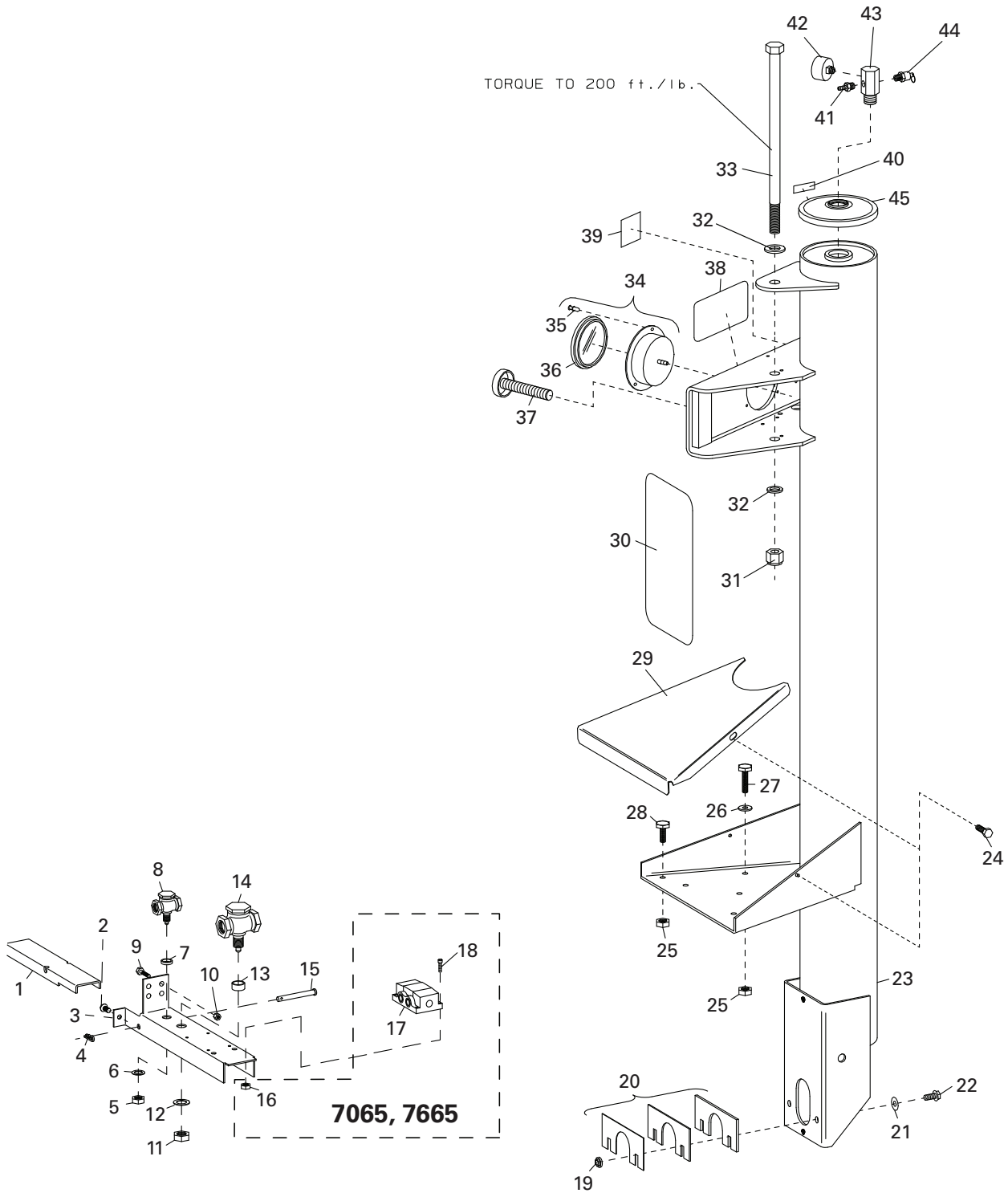
# Swing Arm Assembly



ITEM	PART NO.	DESCRIPTION
1	8182339	Shim Kit - Swing Arm
2	8181038	Pivot Pin-Swing Arm
3	8182820	Swing Arm (5050, 5065)
	8182312	Swing Arm (5060)
	8184830	Swing Arm (5040)
4	8182029	5/16-1 x 1-1/2 BHSCS, Gr.8
5	8181771	Knob - Vertical Slide
6	8182028	Spring-Vertical Slide
7	8181095	1-5/8 Snap Ring
8	8182371	Wave Washer, 1-5/8 Dia.
9	8181082	Lock Handle/Lift Cam W/C
10	8100979	Handle Grip, Black Flex 3/4 I.D.
11	85606344	1/2 x 5/8 Shoulder Screw
12	85606343	1/2"-13 Jam Nut, Gr. 5
13	8181788	Lock Plate
14	8181035	Lift Pin-Lock Plate
15	8182812	Shaft-Vertical Slide (5050, 5060, 5065)
	8181769	Shaft-Vertical Slide (5060, Non-tapered)
	8182767	Shaft-Vertical Slide (5040)
16	8182031	Rubber Bumper
17	8183033	Washer (7050)
18	8183061	Mount/Demount Head, Plastic (5060)
20	8106302	3/8" Whiz Lock Screw, Gr.5
21	8182770	Bootie-Mount/Demount Head-Single
	8182961	Mount/Demount Head Bootie-Pkg of 2
	8182963	Mount/Demount Head Bootie-Pk of 12
22	8182788	Mount/Desmount Head Assembly
23	8182026	Mount Demount Head Assembly (5060)
24	8181916	Roller 0.562 Diameter x 0.515 LG. (5060)
	8182787	Roller 0.562 Diameter x 0.515 LG. (5040, 5050, 5065)
25	8182004	3/8-16 x 3/4" Ctr Bore Cap Scr, Gr.8
26	8182786	5MM x 25MM Dowel Pin (5040, 5050)
	8181915	5MM x 20MM Dowel Pin (5060)
27	8140667	1/4-20 x 1/4 Soc.Hd.Set Scr, Gr.8 (5040, 5050, 5065)
	8181914	1/4-20 x 3/16 Soc.Hd.Set Scr, Gr.5
28	8182027	Washer 7 ga. x .406 ID x 1.28 OD

 APPLY GREASE TO THESE LOCATIONS

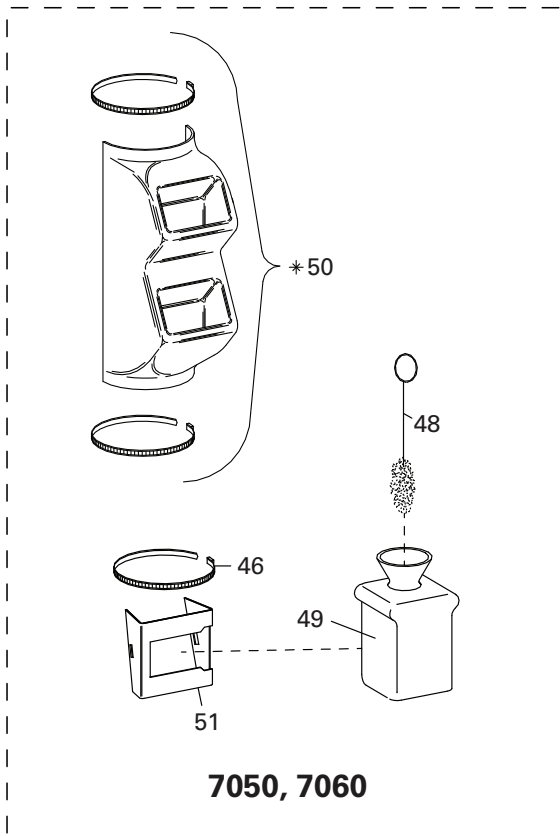
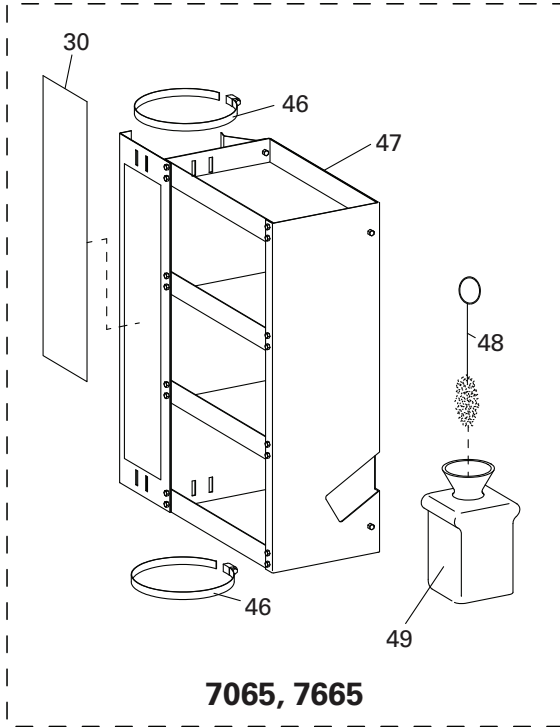
# Inflation Bracket and Tower Assembly



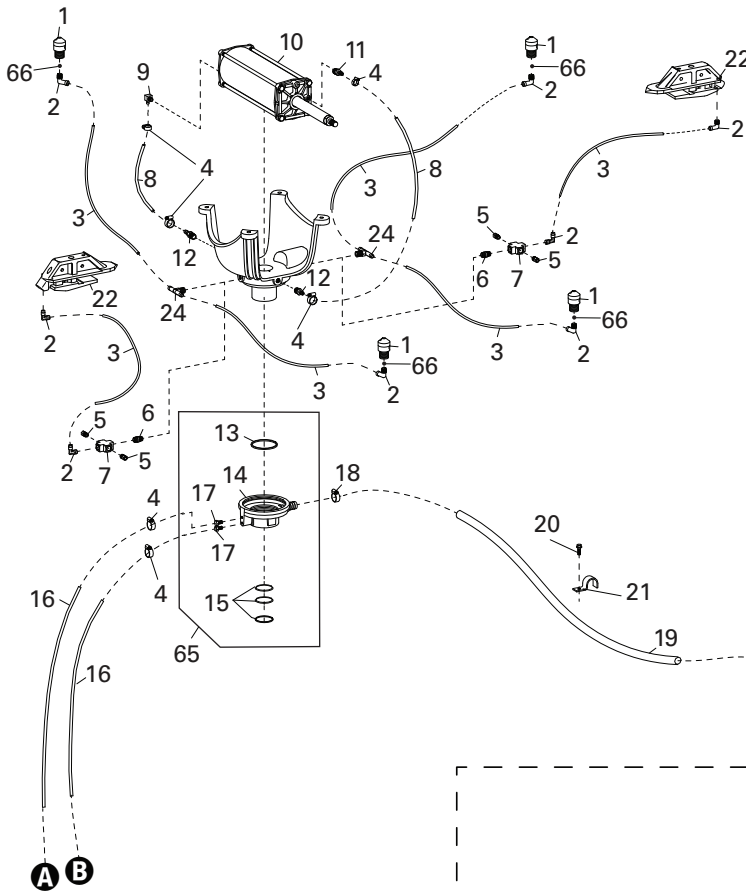


## (Inflation Bracket and Tower Assembly)

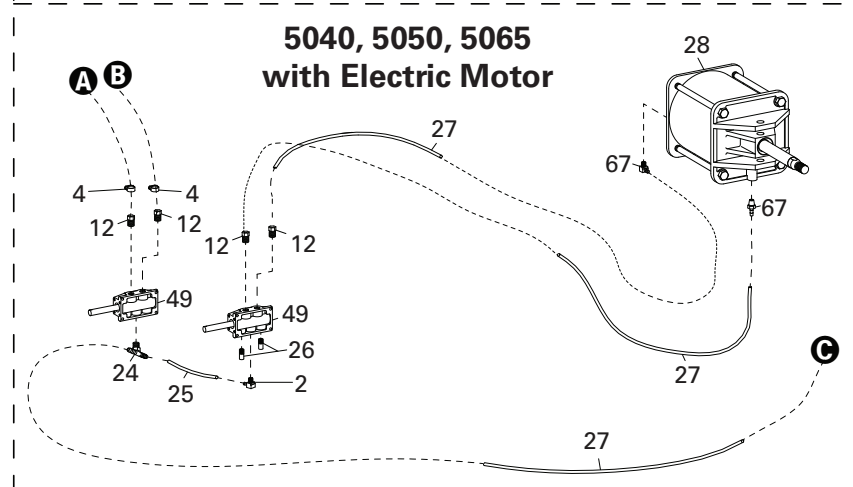
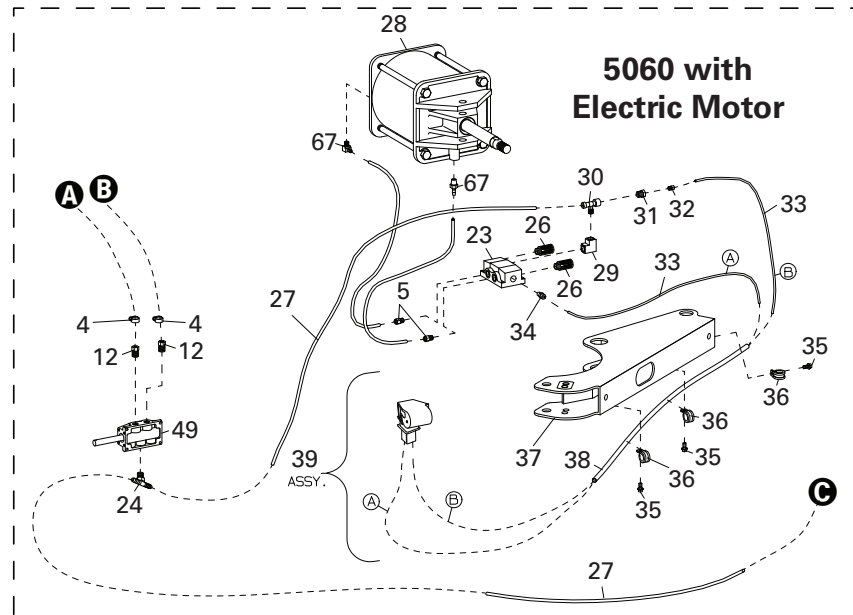
ITEM	PART NO.	DESCRIPTION
1	8181933	Pedal Inflation
2	8102459	3/8" Self Tap Screw Gr.5
3	8181932	Inflation Brkt.
4	8107407	Hitch Pin Retainer
5	8104611	5/8" N.F. Jam Nut Gr.5
6	8104613	5/8" Ext. Tooth Lock Washer
7	8104673	Bushing (1/4" Valve)
8	8104600	1/4" Valve Comp.
9	8120408	1/4-20 x 1-3/4 H.H. Cap Scr., Gr.5
10	8143169	1/4-20 Whiz Lock Nut, Gr.5
11	8104610	3/4" N.F. Jam Nut Gr.5
12	8104612	3/4" Ext. Tooth Lock Washer
13	8104674	Bushing (3/4" Valve)
14	8106298	3/4" Valve Ported 1/4"-18 NPT
15	8180103	3/8 x 3-1/4 Clevis Pin
16	8181682	10-24 Nylon Insert Lock Nut Gr.5 (5060)
17	8181995	Valve, 4-Way w/Pull Pin (5060)
18	8182001	#10-24 x 3/4" Gr.5 Skt Hd St Cp Scr (5060)
19	8120424	3/8"-16 Wash Hd. Lock Nut Gr.5
20	8182076	Shim Kit
21	8000240	Washer 1" OD x 13/32 ID x 3/16"
22	8107715	3/8-16 x 1-1/4 Hex Hd. Cap Scr, Gr.8.8
23	8184831	Tower/Air Receiver (5040)
	8182305	Tower/Air Receiver (5050, 5060, 5065)
24	8106301	1/4 H.H. Self-Tap Screw Gr.5 (7050)
25	8106303	3/8" Whiz Lock Nut, Gr.5
26	8101018	Washer 0.392 x 0.687 x 0.0478
27	8181137	3/8-16 x 2-1/4 Hex Hd.Cap Scr, Gr.5
28	8106302	3/8" Whiz Lock Screw, Gr.5
29	8182805	Cover - Upper Tower Support (5040, 5050, 5065)
30	8182373	Decal, Warning
31	8182016	3/4"-10 Nylon Insert Lock Nut, Gr.5 (5060)
32	8182457	3/4" SAE Washer
33	8181172	3/4-10 x 7-1/2" Hex Hd. Cap Scr, Gr.5
34	8107985	Flanged Air Gauge w/Fasteners
35	8107983	Plastic Fastener
36	8107517	Gauge Lens, Screw On
37	8181114	Knob Assy-Adjusting (5050, 5060, 5065)
	8182593	Knob Assy-Adjusting (5040)
38	8109888	Inflation Warning Decal
39	8109769	Decal - Release Valve (5060)
40	8182059	Decal, Line Press Gauge
41	8000378	1/4" Brass St. Fitting
42	8108968	Air Gauge
43	8183434	Manifold/Gauge Protector
44	8182599	Safety Valve
45	8182458	Plastic Cap-Tower (5060)
46	8182221	Hose Clamp, 6"
47	8183509	Accessory Box Assembly
48	8000491	Lube Applicator
49	8106259	Lube Bottle (Red)
50	8181554	*Accessory Tray Kit
51	8182167	Lube Bottle Brkt-Red (5060)
	8182809	Lube Bottle Brkt-Red (5040, 5050, 5065)



# Pneumatic Diagrams

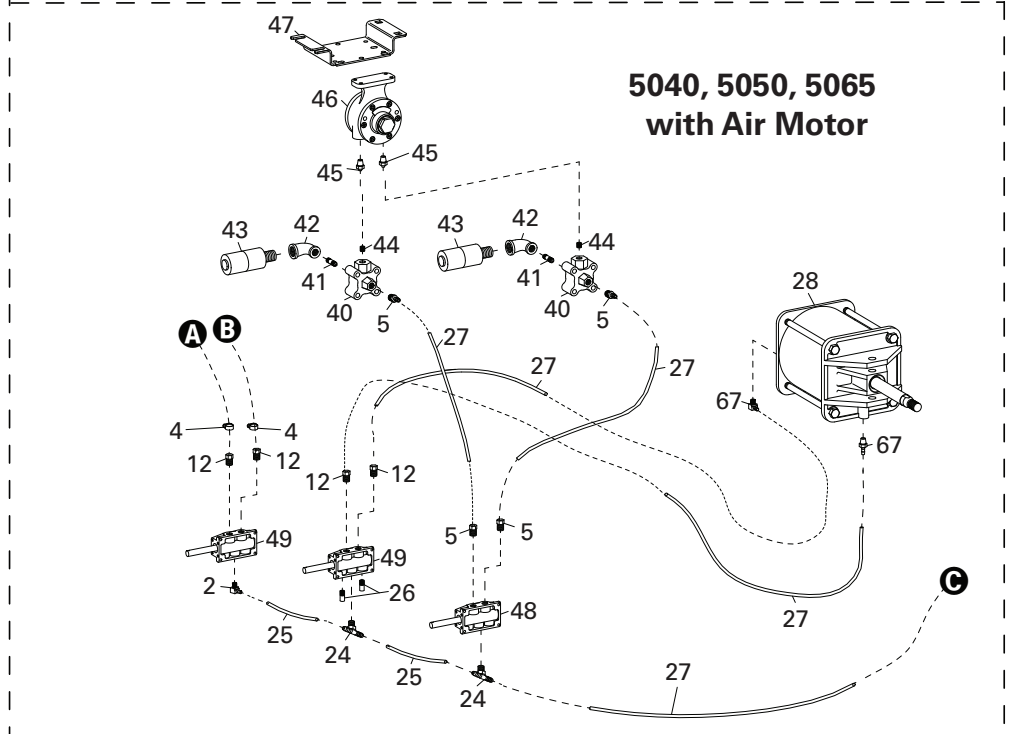
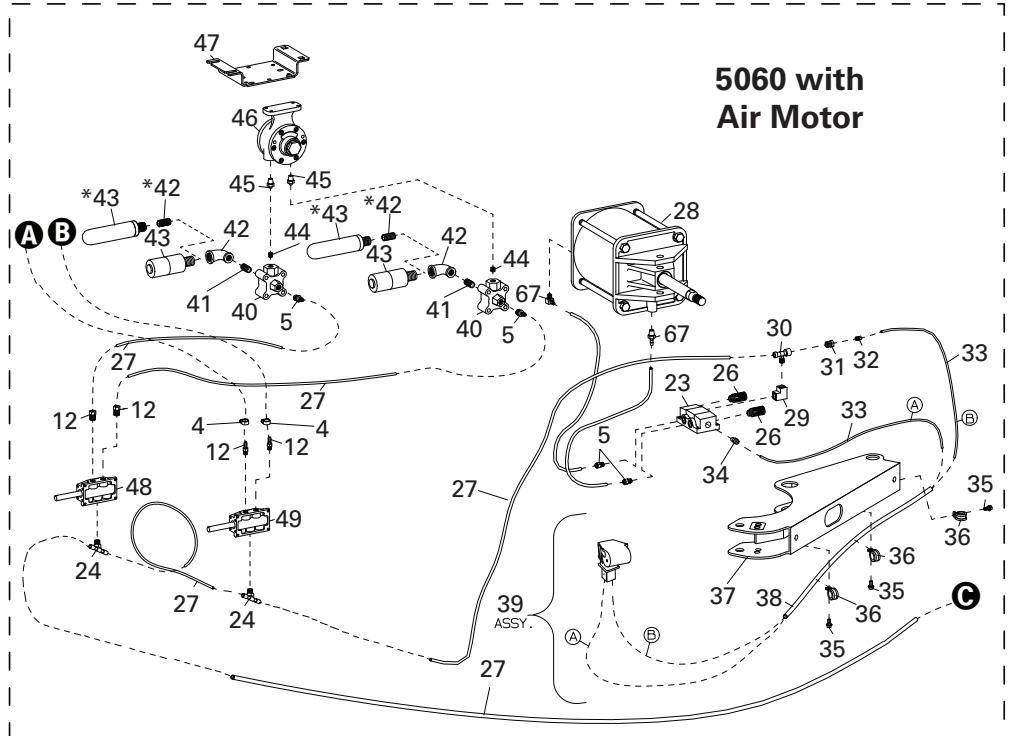


ITEM	PART NO.	DESCRIPTION
1	8182024	Inflation Nozzle
2	8181998	Male Elbow 1/4 NPT x 3/8 Tube
3	8182836	3/8 OD x 15.5" Lg Nylon Tube
4	85606362	Hose Clamp-13mm Spring
5	8181999	Male Elbow 1/4 NPT x 3/8 Tube
6	8182366	Brass Close Nipple 1/4 NPT
7	8182367	Brass Cross Fit. 1/4 NPT
8	8103649	ø1/4 x 12" Hose
9	8110497	Male Elbow 1/8 NPT x 1/4 Hose
10	8182613	Cylinder Assembly-Table Top
11	8182035	Male St Fit. 1/8 NPT x 1/4 Tube
12	8000378	1/4" Brass St. Fitting
13	8181713	O-Ring Seal, Large (2-244)
14	8181349	Rotary Coupling
15	8181712	O-Ring Seal, Small (2-142)
16	8106289	ø1/4" x 22" Hose
17	8104894	St Fitting 1/8 NPT x 1/4 Hose
18	8101346	3/4" Hose Clamp
19	8181954	Hose 3/4" x 31" Lg.-Black
20	8106301	1/4" Hex Hd Self Tap Screw, Gr.5
21	8104564	Ring Clamp ø3/4" Hose (5060)
22	8182249	Carrier/Cover - Clamp Adj.
23	8181995	Valve, 4-Way, Piloted
24	8184467	Male Brch. Tee 1/4 NPT x 3/8 Tube
26	906960	1/4-18 NPT Muffler



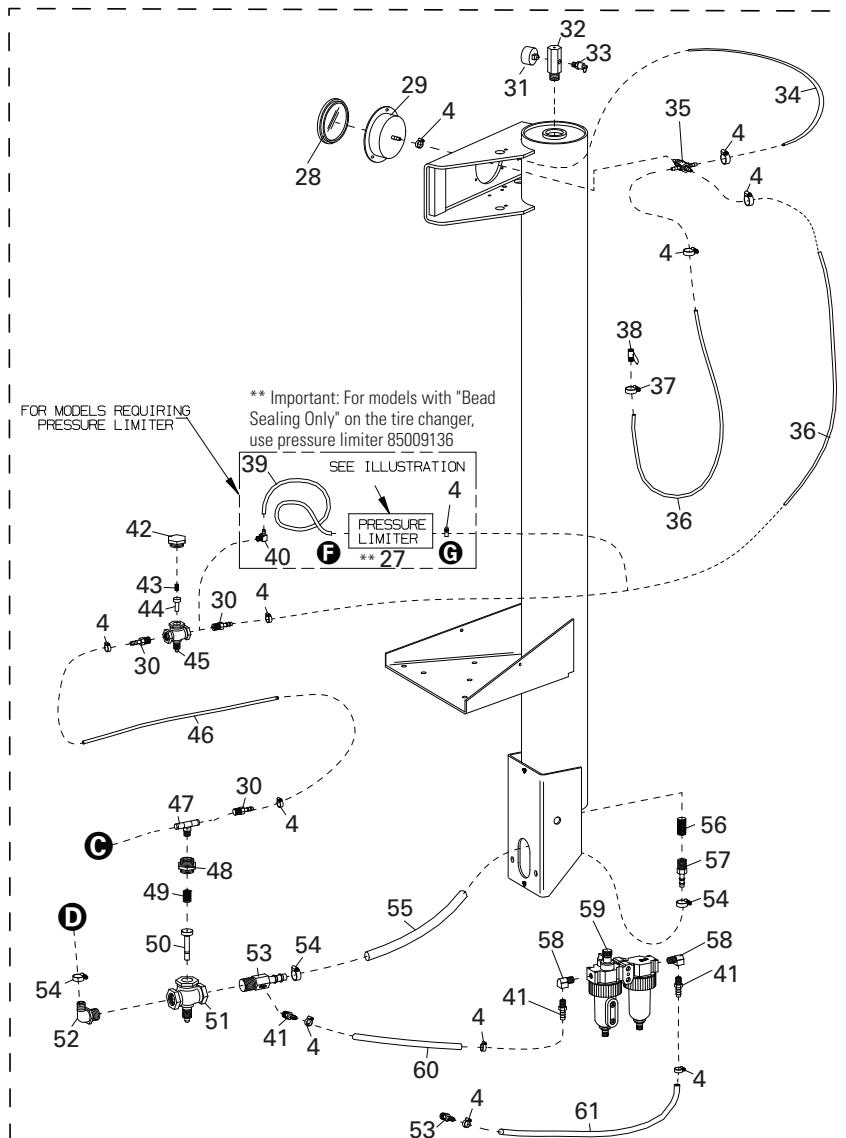
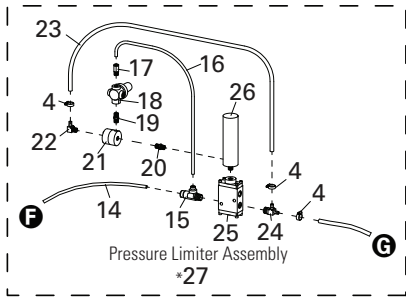
**(Pneumatic Diagrams, cont.)**

ITEM	PART NO.	DESCRIPTION	ITEM	PART NO.	DESCRIPTION
27	8184457	Red Rubber Hose, 3/8 x 25"	39	8182320	B.L. Handle/Valve Assembly (5060)
28	8183312	B.L. Cylinder Assembly w/BL Valve (5040, 5050, 5060)	40	8181191	Valve, Quick Exhaust
	8182014	B.L. Cylinder Assembly (5065)	43	8181206	Muffler-1/2" NPT
29	8000372	1/4" x 90° Street Ell	46	8181190	Air Motor, Gast. 6AM
30	8183352	Fitting Kit, Special Male Branch Tee	47	8181931	Bracket, Motor Mounting
31	8109481	1/4 x 1/8 Brass Bushing (5060)	48	8184369	Valve, 4-Way w/Pull Pin
32	8181996	1/8 NPT x 1/8 Tube Male St. Fit. (5060)	49	8181986	Valve, 4-Way w/Pull Pin
33	8182007	ø1/8" x 60" Nylon Tube (5060)	65	8182619	Rotary Coupling Assembly
34	8181987	1/8 NPT x 1/8 Tube Str. Ftg. (5060)	66	8182025	Steel Ball
35	8142844	1/4-20 Gr.5 Hex Hd. Self-Tap Scr (5060)	67	8000376	ELL 90° 1/4 Hose Fitting
36	8182044	Hose Clamp (5060)		8184256	ELL 90° 3/8 Hose Fitting
37	8182002	B.L. Arm (5060)			
38	8182008	Hose 3/8" x 50" (5060)			



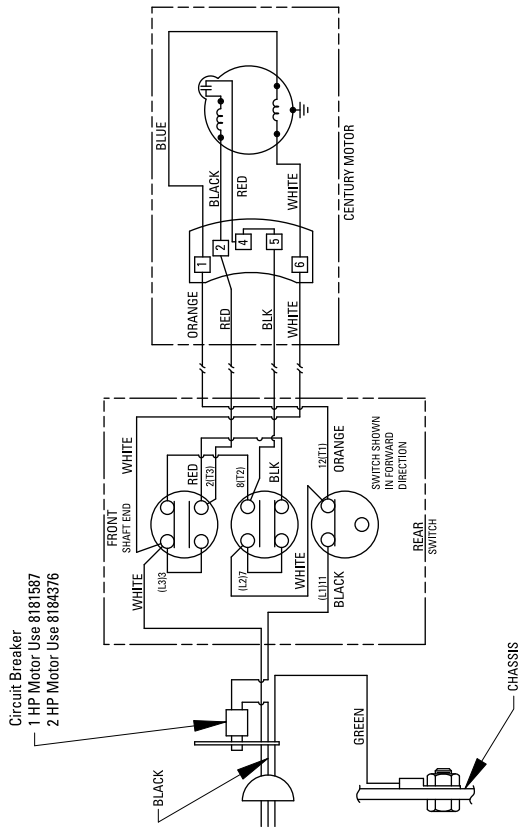
**(Pneumatic Diagrams, cont.)**

ITEM	PART NO.	DESCRIPTION	ITEM	PART NO.	DESCRIPTION
4	85606362	Hose Clamp-13mm Spring	37	8105822	ø9/16" Hose Clamp
14	8184459	Black Rubber Hose, 3/8 x 25"	38	8410419	Air Chuck
15	8110325	1/4" NPT Male Run Tee	39	8182005	Nylon Tube 3/8" x 18-34" Lg.
16	8182038	Nylon Tube 1/4 OD x 12.5" Lg.	40	8181998	Male Elbow 1/4 NPT x 3/8 Tube
17	8182035	Male St Fit. 1/8 NPT x 1/4 Tube	41	8101898	3/8" Hose Fitting
18	8111083	Regulator	42	8105671	End Cap, 1/4" Valve
19	8109472	1/8" Inline Filter	43	8102468	Poppet Spring, 1/4" Valve
20	8109471	1/8" Brass Hex Nipple	44	8104649	Poppet, 1/4" Valve
21	8109468	Pressure Repeater	45	8104600	1/4" Valve Comp.
22	8110497	Male Elbow 1/8 NPT x 1/4 Hose	46	8106288	Hose 1/4 x 16-1/4"
23	8103649	ø1/4 x 12" Hose	47	8183352	Fitting Kit, Special Male Branch Tee
24	8111255	Spl Tee-1/4 NPT x 3/8 x 1/4	48	8106298	Valve PPT, 1/4-18 NPT
25	8109466	Valve-Piloted	49	8104651	Spring, 3/4" Valve
26	8110496	Volumn Chamber	50	8104652	Poppet, 3/4" Valve
27	85000816 85009136	Pressure Limiter **Pressure Limiter (5060)	51	8106298	3/4" Valve Ported 1/4"-18 NPT
28	8107517	Gauge Lens, Screw On	52	8107924	3/4 Nylon Elbow
29	8107985	Flanged Air Gauge w/Fasteners	53	8182020	3/4 NPT x 1/4 NPT St. Fit.
30	8000378	1/4" Brass St. Fitting	54	8101346	3/4" Hose Clamp
31	8108968	Air Gauge	55	8181993	Hose, 3/4" x 15 1/2"
32	8109784	Manifold/Gauge Protector	56	8182464	Strainer Screen
33	8182599	Safety Valve (5060)	57	8104573	Fitting, Straight-3/4"
	8104968	Safety Valve	58	8000372	1/4" x 90° Street Ell
34	8000481	Hose 1/4" x 6	59	8182827	Filter Lubricator
35	8183502	Manifold Bleed Valve Assembly	60	8182497	Hose 3/8" x 36" Lg.
36	8182090	Hose 3/4" x 65" Lg.	61	8181147	Hose 3/8 x 17-1/4" Lg.



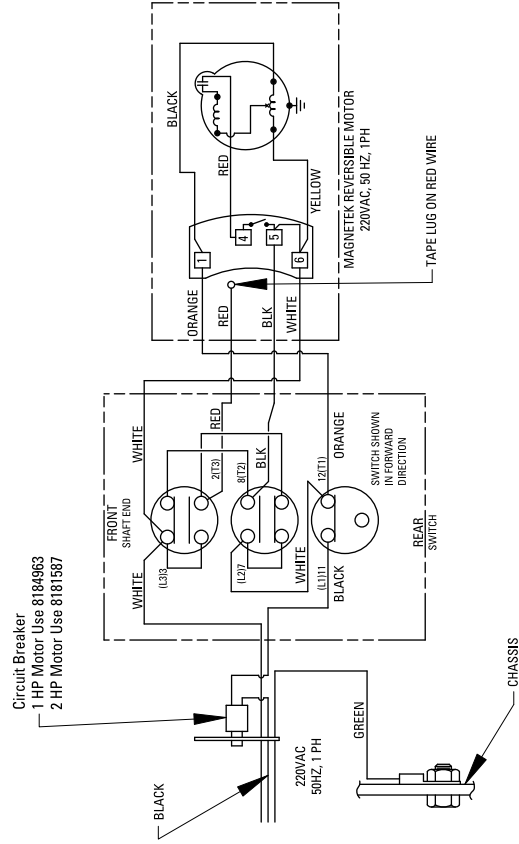
# Wiring Diagrams

## Domestic & C.S.A.



To reverse rotation, interchange red and black wires at motor.

## Export 220VAC



To reverse rotation, interchange red and black wires at motor.

# Notes

## **Notes**

# Rim Clamp® Tire Changer

## All-Air Unit Compressed Air Requirements

COATS® Rim Clamp® tire changers that are powered entirely by air (no electric motor) require a single compressed air power source. Refer to the table below for exact specifications.

Tire Changer Model	Compressor Size	Capable of
5050A	5 HP	14-15 SCFM at 150 PSI
5060A	5 HP	14-15 SCFM at 150 PSI
5065A	5 HP	14-15 SCFM at 150 PSI

## Oiler and Water Separator Maintenance

The oiler and water separator (on units so equipped) require weekly service. Oil and water levels (indicated on the level gauge on the side of each bowl) should be checked regularly.

**1.** On units without automatic drain (manufactured before August 1996), drain the water from the separator by unscrewing the petcock on the bottom of the bowl. Allow water to drain and tighten petcock securely by hand.

**2.** Add oil to the oiler if the fluid level is more than 1/4" from the top of the gauge. Remove the filler plug in the top of the oiler, and add SAE 10W non-detergent oil or an air tool oil to bring the level up to 1/4" from the top of the gauge. Replace the filler plug and clean up any spilled oil.

**3.** On units manufactured before August 1996, adjust the oil flow by pulling the red flow adjustment ring up and turning it to increase or decrease the flow. Push the ring down to lock. Watch the formation of oil drops in the see-through oil chamber. Continually cycle the bead loosener through full strokes and count the drops during the cycles. The delivery of oil to the air line should be about 1 drop per 10 cylinder cycles. Adjust the flow as required.

**Note:** Some older units may use an adjustment screw on top of the oiler instead of the red ring and see-through chamber. To adjust these units, turn the screw fully clockwise to stop the flow, then turn it back counterclockwise 1/4 turn. Units manufactured after August 1996 are factory pre-set and require no adjustment.

## Transmission Lubrication

Check the fluid level in the tabletop transmission with the oil check dipstick. If fluid shows on the dipstick, it is properly filled. If no fluid is present on the dipstick, add a high quality SAE 80/90 gear lubricant. Add lubricant and check the level. Stop adding lubricant when it shows on the dipstick.

## Air Gauge Check and Recalibration

**1.** Inflate a standard 15" passenger car tire/wheel assembly to 32 PSI. Use a high quality stick-type pressure gauge to verify the pressure. Attach the tire changer's inflation hose to the valve stem and check the pressure reading on the air gauge. If it does not read 32 PSI, recalibrate the gauge.

**2.** Remove the screw-on lens. Loosen the 2 screws on the face of the gauge. Loosen them just enough so that the gauge face moves. Do not remove the screws.

**3.** Rotate the gauge face until the 32 PSI mark is aligned with the gauge needle. Tighten the 2 screws and replace the lens.

## Danger, Warning, Caution, and Instructional Decals

Always make the cleaning of these important decals a part of your regular maintenance routine. If they are damaged or illegible, replace them immediately. Your safety, and the safety of others is involved!