



Prices effective July 5, 2023

Published March 2024

# Thrive™ Portfolio

HermanMiller list prices shown are in USD. For HermanMiller Canadian prices, multiply the USD list price by a factor of 1.20---effective July 2023.

<b>Introduction</b>	<b>page 2</b>
<b>Thrive™ Portfolio</b>	<b>3</b>
Technology Support	5
Power and Data Support	103
Screens	167
Personal Lighting	214
Occasional Lighting	217
Work Tools	220
Ubi® Work Tools	220
Formwork	257
Work Tools	266
<b>Indices</b>	<b>285</b>
By Name	285
By Number	289
<b>Appendices</b>	
20-Day or Less/Assigned Lead-Time Order Information	
Customer’s Own Material Order Information-Workspaces	
Textiles Application Chart-Workspaces	
Textile Colors	
<b>For the latest materials information, refer to the Materials pages on HermanMiller.com.</b>	

# Introduction

## A Note on the Organization of This Book

There are a few signals that will help you understand the organization of this book. Once you know them, you should be able to find your way around easily.

### Like a newspaper, this book is formatted with columns of text and illustrations that run vertically.

Information wraps from one column to the next and continues for as many pages as it needs to.

### Black bars are clues.

A black bar at the top of a page signals the start of information about a product.

This information is divided into two sections, each signaled by a black bar. Product Information includes a description, additional notes, and dimensional drawings. Specification Information, which always begins at the top of a column, includes a series of steps. Each step represents a decision you need to make in order to complete your product number. Steps must be followed sequentially. The number of pages needed to complete information on a product varies; some will be complete in one page; others may fill three or four pages. Just continue going through the steps until you run into the next product, signaled by the black bar at the top of the page.

Black tabs running along the outside edge of the page help you locate what section you are in or what section you want to go to. You can thumb forwards or backwards to find a section; tabs and text appear on both sides of the page.

The additional pages in the back of the book include the appendices and indices. They are signaled by a long black bar running along the outside edge of the page.

### The index is presented two ways.

The first index is in alphabetical order by product name. It can be helpful if you are new to the products and numbering scheme or if you are looking for a type of product, such as work chair or round table.

The second index is by product number. It lists, in alphanumeric order, the base product number, typically a five-digit number.

## General Information

This book is effective July 5, 2023, subject to change without notice. Products may be purchased from authorized Herman Miller dealers who will quote prices upon request. For more information about our products and services or to see a list of dealers, visit [www.HermanMiller.com](http://www.HermanMiller.com).


All prices are list prices. Additional services, such as planning services, design, storage, and installation, are not included and must be added to these prices when the additional services are requested.


Illustrations, specifications, and prices are based on the latest information at the time of publication. The right is reserved to make changes at any time without notice in prices, fabrics, finishes, materials, specifications, and models, and also to discontinue models and finishes.

Dimensions shown in the drawings are engineering drawing dimensions rounded up to the nearest  $\frac{1}{8}$ ". Product is shipped set up or knocked down. Products that include "Shipped knocked down" in the description require some assembly. If this statement does not appear in the description, the product is shipped assembled.

Service problems are normally handled by a Herman Miller authorized dealer. Where this cannot be accomplished on a local level, service problems should be referred to the Customer Care Representative for your region, Herman Miller, Inc., Zeeland, Michigan 49464.

### 20-Day or Less/Assigned Lead-Time Shipments

All products and options in this price book not designated by an Assigned Program icon  will ship in **20 business days or less** after being acknowledged by Herman Miller.

Products and options designated by an  are on the assigned lead-time program and may ship in 20 days, less than 20 days, or more than 20 days from order acknowledgement.

**Technology Support**

**Power and Data Support**

**Screens**

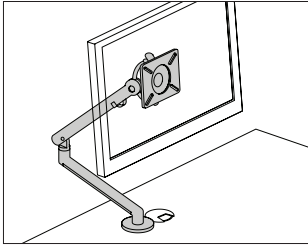
**Personal Lighting**

**Occasional Lighting**

**Work Tools**



# Flo® Single-Screen Monitor Arm Y91171 Support



## Product Information

### Description

This easy to move, slim profile monitor arm assembly supports a single flat panel monitor. It has a 13<sup>1</sup>/<sub>4</sub>" height-adjustment range, a 20<sup>5</sup>/<sub>8</sub>" extension range, and allows the monitor to tilt 40° upward and -40° downward. The arm includes a quick-disconnect feature that allows easy installation and removal of a monitor. It has integrated cable management along the underside of the arm, and a visual indicator that shows the arm's tension setting. The arm meets VESA 75mm and 100mm standards (Video Electronic Standards Association - Mounting Interface Standards). A hex key for adjusting the arm's tension is included.

### Notes

Wall mount option (WM) does not include hardware to mount bracket to wall. For Compass™ applications, see wall mount installation instructions.

White finish (O) is available only with the surface clamp (CM) option.

Accommodates monitor weights ranging from 7 to 20 lbs.

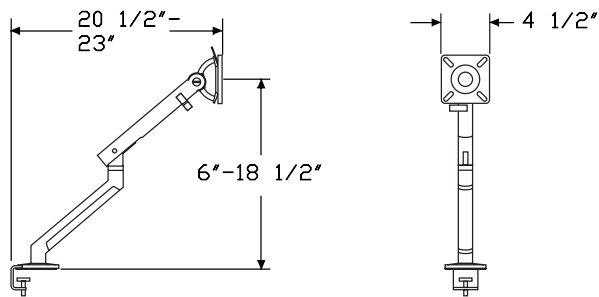
To hold a laptop computer, order Ollin laptop and tablet mount (Y95011.) separately.

Through-surface mount with rotation stop (T1S) option includes 1 bolt for mounting to surfaces up to 1<sup>3</sup>/<sub>8</sub>" thick.

Through-surface mount with rotation stop (T2S) option includes 1 bolt for mounting to surfaces up to 3" thick.

Rail tile mount attachment bracket (RTM) is also compatible with Ethospace® rail tiles.

### Dimensions



## Specification Information

### Step 1.

**Y91171.**

### Step 2. Attachment Bracket

<b>CM</b>	surface clamp
<b>LPC</b>	low profile clamp, up to 1" thick
<b>RTM</b>	rail tile mount (Canvas)
<b>LSR</b>	Layout Studio performance rail <span style="border: 1px solid black; padding: 0 2px;">A</span>
<b>T1S</b>	through-surface mount with rotation stop, up to 1 <sup>3</sup> / <sub>8</sub> " thick
<b>T2S</b>	through-surface mount with rotation stop, up to 3" thick

### Prices for Steps 1-2.

<b>Y91171. CM</b>	\$468
<b>LPC</b>	\$468
<b>RTM</b>	\$464
<b>LSR</b>	\$477
<b>T1S</b>	\$502
<b>T2S</b>	\$502

### Step 3. Finish

For surface clamp (CM), through-surface mount with rotation stop, up to 1<sup>3</sup>/<sub>8</sub>" thick (T1S), or through-surface mount with rotation stop, up to 3" thick (T2S)

<b>OI</b>	silver	+\$0
<b>OJ</b>	white	+\$0
<b>OH</b>	black	+\$0

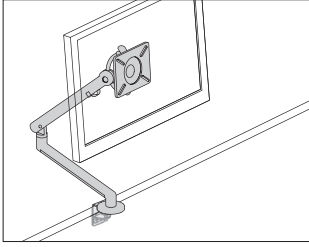
For Layout Studio performance rail (LSR)

<b>OI</b>	silver	+\$0
<b>OJ</b>	white	+\$0

For low profile clamp, up to 1" thick (LPC) or rail tile mount (Canvas) (RTM)

<b>OI</b>	silver	+\$0
-----------	--------	------

# Flo® Single Screen Monitor Arm Y91182 Bulk Pack



Thrive™ Technology Support

## Product Information

### Description

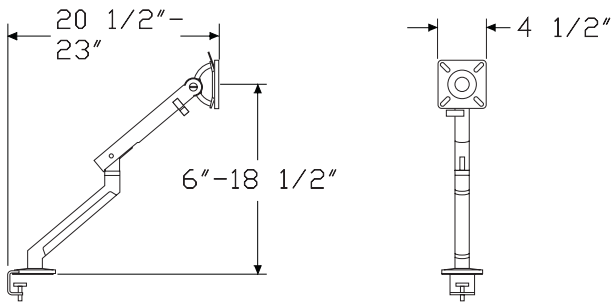
This bulk pack assembly contains 10 Flo® monitor arms (Y92090.) and 10 two-piece clamp mounts (Y92092.) of specified finish. The easy to move, slim profile monitor arm supports a single flat panel monitor. It has a 13<sup>1</sup>/<sub>4</sub>" height-adjustment range, a 20<sup>5</sup>/<sub>8</sub>" extension range, and allows the monitor to tilt 40° upward and -40° downward. The arm includes a quick-disconnect feature that allows easy installation and removal of a monitor. It has integrated cable management along the underside of the arm, and a visual indicator that shows the arm's tension setting. The VESA attachment bracket provides 75mm and 100mm hole patterns. VESA attachment hardware included.

### Notes

Monitor arm accommodates monitor weights ranging from 7 to 20 lbs. Bulk pack includes 1 instruction booklet and 1 hex key for adjusting the arm's tension.

To hold a laptop computer or tablet, order Ollin laptop and tablet mount (Y95011.) separately.

### Dimensions



## Specification Information

### Step 1.

**Y91182.** A

### Step 2. Attachment Bracket

**CM** surface clamp A

### Prices for Steps 1-2.

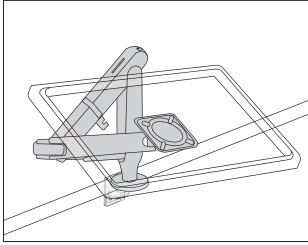
**Y91182. CM** \$4424

### Step 3. Finish

**OI** silver A +\$0

**OJ** white +\$0

# Ollin Single-Screen Monitor Arm Y95111 Support



## Product Information

### Description

This monitor arm utilizes a technical cord which allows it to support monitors weighing up to 20 pounds. The arm provides 14½" of vertical height adjustment, 24" of horizontal extension, and +80/-10° of tilt. A visual indicator shows the arm tension setting, and an integrated cable management system secures cables neatly along the arm. This monitor arm is user adjustable without tools. VESA brackets provide both 75mm and 100mm hole patterns. Bracket attachment hardware included.

### Notes

Assembly includes the Ollin single screen monitor arm - arm only (Y95000.) and the specified attachment bracket.

Accommodates monitor weights ranging from 0-20 pounds.

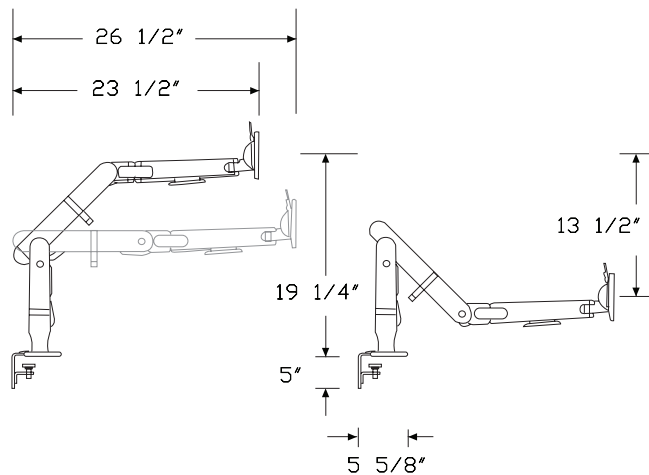
To hold a laptop computer, order Ollin laptop and tablet mount (Y95011.) separately.

White (O) finish is available only with surface clamp (CM).

Through-surface mount with rotation stop (T1S) option includes 1 bolt for mounting to surfaces up to 1⅜" thick.

Through-surface mount with rotation stop (T2S) option includes 1 bolt for mounting to surfaces up to 3" thick.

### Dimensions



## Specification Information

### Step 1.

**Y95111.**

### Step 2. Configuration

**1** single

### Step 3. Attachment Bracket

**CM** surface clamp

**LPC** low profile clamp, up to 1" thick

**T1S** through-surface mount with rotation stop, up to 1⅜" thick

**T2S** through-surface mount with rotation stop, up to 3" thick

### Prices for Steps 1-3.

	CM	LPC	T1S	T2S
<b>Y95111. 1</b>	\$521	521	555	555

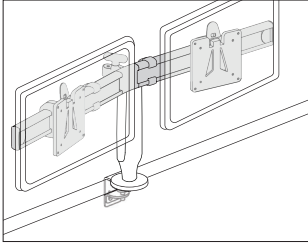
### Step 4. Finish

For surface clamp (CM), through-surface mount with rotation stop, up to 1⅜" thick (T1S), or through-surface mount with rotation stop, up to 3" thick (T2S)

<b>OI</b> silver	+\$0
<b>OJ</b> white	+\$0
<b>OH</b> black	+\$20

For low profile clamp, up to 1" thick (LPC)

<b>OI</b> silver	+\$0
------------------	------



**Product Information**

**Description**

This dual mount bar attaches 2 monitors to an Ollin® monitor arm. The bar holds 2 monitors from 17" to 27" wide and ranging in weight from 0-8 pounds each. A knob allows for tilting of the monitors and an integrated cable management system secures cables neatly along the bar and arm. This dual mount bar is user adjustable without tools. Monitors attach to arm in a fixed orientation. For individual screen portrait-landscape rotation and tilt, 2 individual Ollin arm assemblies are recommended. VESA brackets and attachment hardware included.

**Notes**

Specify this dual mount bar to convert an Ollin Single to an Ollin Dual. Order 1 of the following monitor arms separately:

- Ollin single-screen monitor arm support with desired attachment (Y95111.1xxx), or
- Ollin single-screen monitor arm-arm only (Y95000.) with additional desired attachment method.

Order monitor arm clamp separately.

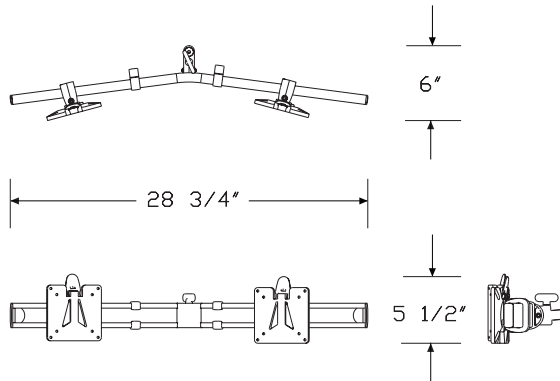
75mm and 100mm VESA compliant. VESA brackets provide both 75mm and 100mm hole patterns.

Through-surface mount (T2) option includes 2 bolts: 1 for mounting to surfaces up to 1<sup>3</sup>/<sub>8</sub>" thick, and 1 for mounting to surfaces up to 2<sup>3</sup>/<sub>4</sub>" thick.

Through-surface mount (T2) option can be grommet mounted. Order cast grommet (Y92050.) separately.

Supports monitors ranging in weight from 0-8 pounds each.

**Dimensions**



**Specification Information**

**Step 1.**

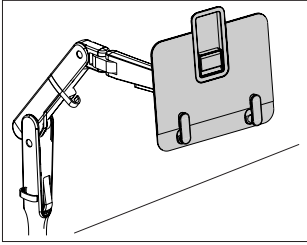
**Y95122.** [A] \$415

**Step 2. Finish**

**OH** black [A] +\$0



# Ollin Laptop and Tablet Mount Assembly Y95112



## Product Information

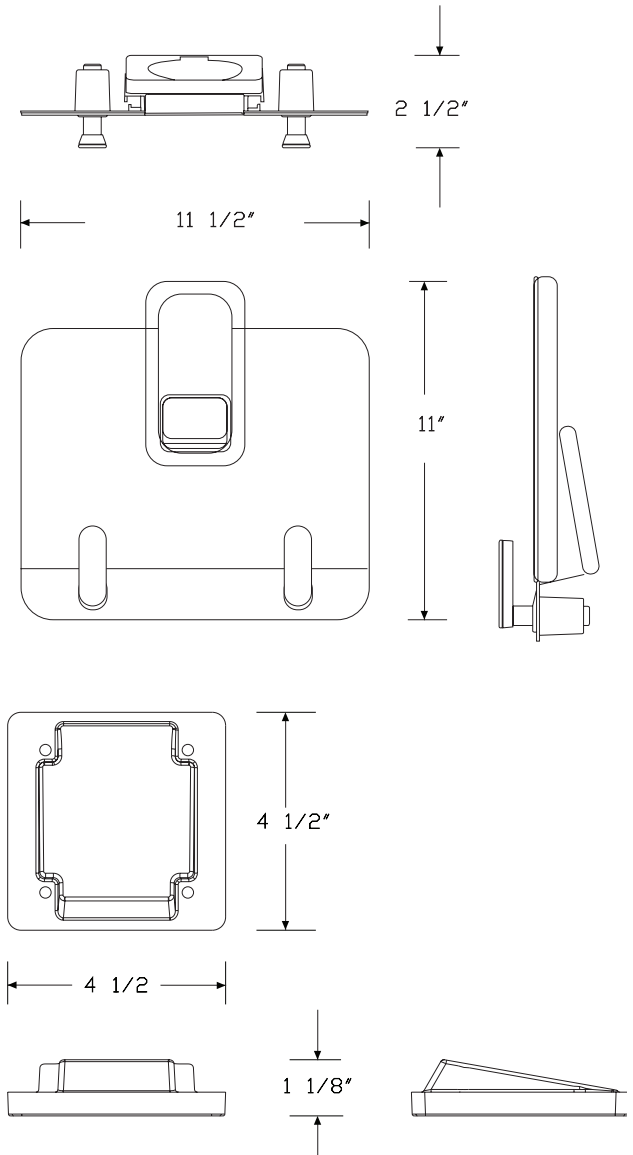
### Description

This laptop and tablet mount lifts notebook computers and tablets off the work surface at an appropriate work height and attaches to an Ollin® or Flo® monitor arm. For use with Flo monitor arm, this assembly includes a weight plate that provides additional weight required for optimal performance of the arm when the laptop/tablet weighs less than 3.5 lbs. (1.6 kg). Mount attaches to a monitor arm with a 100mm VESA pattern. It supports laptops up to 16" screen size and up to 1" thick. It supports tablets from 9 3/4" to 13" screen size. It can be used in both single- and dual-screen applications. Laptops and tablets are held securely to the mount's anti-slide surface by 2 adjustable ratcheting feet. Retaining feature adds stability to position tablets.

### Notes

- Mount accommodates device weights up to 6.2 lbs. (2.8 kg).
- Mount supports laptops up to 16" screen size and up to 1" thick.
- Thickness includes base and lid of laptop combined.
- Mount supports tablets from 9 3/4" to 13" screen size.
- Requires 100mm VESA plate (provided with the monitor arm).
- Order 1 of the following monitor arms separately:
  - Ollin single-screen monitor arm support (Y95111.)
  - Flo single-screen monitor arm support (Y91171.)
- For use with Flo monitor arm, this assembly includes a weight plate that provides additional weight required for optimal performance of the arm when the laptop/tablet weighs less than 3.5 lbs. (1.6 kg).
- For use with devices 3.5 lbs. (1.6 kg) or greater, weight plate is not required. Order Ollin laptop and tablet mount (Y95011.) instead.

## Dimensions



Weight Plate for use with Flo Monitor Arm

# Ollin Laptop and Tablet Mount Assembly *continued*

## Specification Information

Step 1.

**Y95112.**  A

Step 2. Monitor Arm Type

**OL** ollin monitor arm  A

**FL** flo monitor arm  A

Prices for Steps 1-2.

<b>Y95112. OL</b>	\$164
<b>FL</b>	\$247

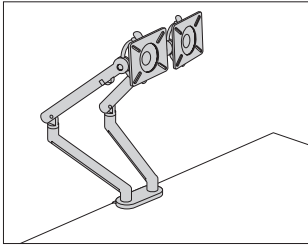
Step 3. Finish

**OI** silver  A +\$0

**OJ** white  A +\$0

**OH** black  A +\$0

# Flo® Dual-Screen Monitor Arm - Y91175 Clamp Mount



## Product Information

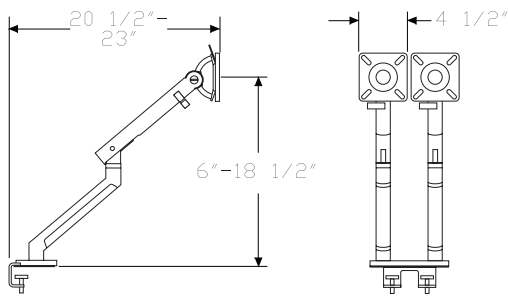
### Description

A variant of the award winning Flo monitor arm, this elegant solution supports 2 monitor screens each weighing up to 20lbs. It has a 13<sup>1</sup>/<sub>4</sub>" height-adjustment range, a 20<sup>5</sup>/<sub>8</sub>" extension range, and allows the monitor to tilt 40° upward and -40° downward. Both arms include a quick-disconnect feature that allows easy installation and removal of a monitor. It has integrated cable management along the underside of the arm, and a visual indicator that shows the arm's tension setting. The VESA attachment plate provides both 75mm and 100mm hole patterns. The clamp is top mounted to speed installation. An allen wrench for adjusting the arm's tension is included. Attachment hardware is included.

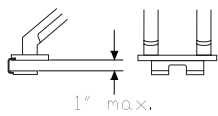
### Notes

Accommodates monitor weights ranging from 7 to 20 lbs. each.

### Dimensions



Surface Clamp



Low Profile Clamp

## Specification Information

### Step 1.

**Y91175.**

### Step 2. Attachment Bracket

**CM** surface clamp mount

**LPC** low profile clamp, up to 1" thick A

### Prices for Steps 1-2.

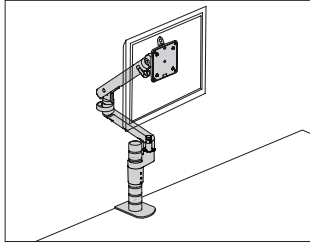
<b>Y91175. CM</b>	\$947
<b>LPC</b>	\$947

### Step 3. Finish

<b>OI</b> silver	+\$0
------------------	------

# Flo® Modular Monitor Arm Assembly

Y91180



Thrive™ Technology Support

## Product Information

### Description

This scalable monitor arm assembly includes a Wishbone® post, 1 or 2 dynamically adjustable Flo® monitor arms, 1 or 2 Flo modular brackets, and an attachment bracket that mounts the assembly to a surface. The Flo monitor arm provides 13<sup>1</sup>/<sub>4</sub>" of vertical height adjustment, 20<sup>5</sup>/<sub>8</sub>" of horizontal extension and +/- 40° of tilt. A visual indicator shows the arm tension setting, and an integrated cable management system secures cables neatly along the underside of the arm. The VESA bracket provides both 75mm and 100mm hole patterns, and hardware is included to attach the VESA brackets to monitors. An installation and tension adjustment tool is included.

### Notes

Accommodates monitor weights ranging from 7 to 20 lbs. each.

100mm and 75mm VESA compliant.

Use low profile clamp for work surfaces up to 1" thick.

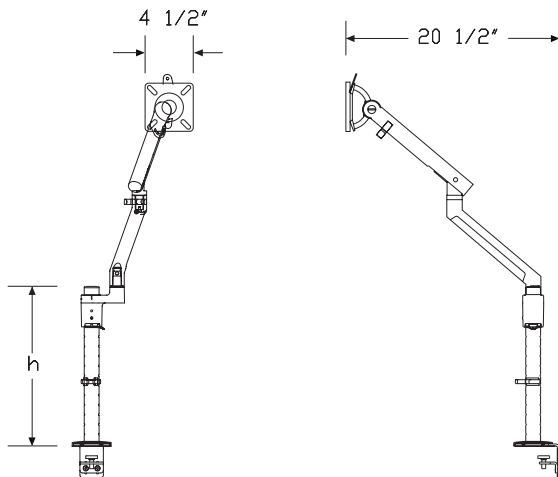
Use Locale® through surface mount for Locale.

For adding additional arms, order both of the following products separately:

- Flo modular bracket-bracket only (Y92103.)
- Flo single screen monitor arm-arm only (Y92090.)

For added stability, specify Wishbone high load clamp (WHC).

### Dimensions



## Specification Information

### Step 1.

**Y91180.** A

### Step 2. Post Height

**07** 7<sup>7</sup>/<sub>8</sub>" high A

**15** 15<sup>3</sup>/<sub>4</sub>" high A

**19** 19<sup>3</sup>/<sub>4</sub>" high A

### Step 3. Number of Arms

#### For 7<sup>7</sup>/<sub>8</sub>" high (07)

**1** 1 arm A

#### For 15<sup>3</sup>/<sub>4</sub>" high (15)

**1** 1 arm A

**2** 2 arms A

#### For 19<sup>3</sup>/<sub>4</sub>" high (19)

**1** 1 arm A

**2** 2 arms A

### Step 4. Attachment Bracket

**NN** no attachment bracket A

**T2** through-surface mount, up to 2<sup>3</sup>/<sub>4</sub>" thick A

**CM** surface clamp mount A

**LPC** low profile clamp, up to 1" thick A

**LOC** Locale® through surface mount A

**GR** grommet mount A

**WHC** high load clamp mount for Wishbone® post A

**LSR** Layout Studio performance rail A

### Prices for Steps 1-4.

		NN	T2	CM	LPC	LOC	GR		
<b>Y91180.</b>	<b>07 1</b>	\$558	595	645	645	590	692		
	<b>15 1</b>	\$588	625	675	675	620	722		
	<b>2</b>	\$1048	1085	1135	1135	1080	1182		
	<b>19 1</b>	\$594	631	681	681	626	728		
	<b>2</b>	\$1054	1091	1141	1141	1086	1188		
								<b>WHC</b>	<b>LSR</b>
<b>Y91180.</b>	<b>07 1</b>					\$691	656		
	<b>15 1</b>					\$721	686		
	<b>2</b>					\$1181	1146		
	<b>19 1</b>					\$727	692		
	<b>2</b>					\$1187	1152		

# Flo® Modular Monitor Arm

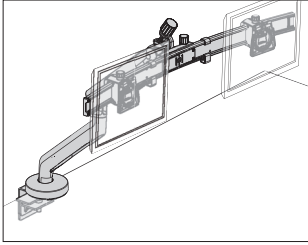
Assembly *continued*

---

Step 5. Finish  
01 silver  A +\$0

Thrive™ Technology Support

# Flo® X Monitor Arm - Assembly Y91195



Thrive™ Technology Support

## Product Information

### Description

Flo® X is the latest evolution of high-load monitor support from Colebrook Bosson Saunders, capable of holding heavy and large screens, including curved monitors, as well as dual and triple monitors. Its dual spring technology accommodates heavy monitors and can be configured for a lower weight range (down to 7 lbs./3 kg), if required. A visual indicator shows the arm's tension setting, saving time for multiple installations. An integrated cable management system secures cables neatly along the underside of the arm. Hex key for installing and tensioning the monitor arm is included.

Flo X single configuration supports monitors up to 40 lbs. (18 kg) and offers up to 24.09" (612 mm) of horizontal extension, 21.14" (537 mm) of vertical reach and +30°/-10° of monitor tilt. Single configuration also offers portrait-to-landscape screen adjustment.

Flo X dual configuration holds 2 monitors up to 32" and offers up to 27.91" (709 mm) of horizontal extension, 20.83" (529 mm) of vertical reach and +20°/-5° of monitor tilt.

Flo X triple configuration holds 3 monitors up to 27" and offers up to 31.06" (789 mm) of horizontal extension, 20.83" (529 mm) of vertical reach and +20°/-5° of monitor tilt.

### Notes

Multi-mount handle (HL) option is highly recommended for use with dual and triple configurations to facilitate easy movement of monitors.

75 mm and 100 mm VESA compliant.

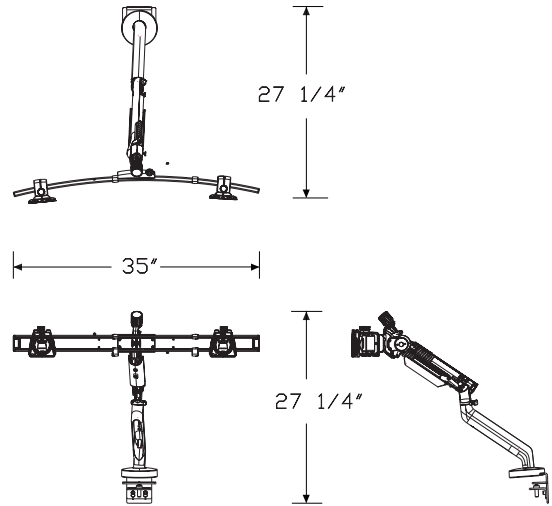
For single screen configuration (Y91195.1), monitor weight range is 7-40 lbs. (3-18 kg).

For dual screen configuration (Y91195.2), monitor weight range is 2-18 lbs. (1-8 kg) per screen.

For triple screen configuration (Y91195.3), monitor weight range is 2-11 lbs. (1-5 kg) per screen.

For total mounted load below 20 lbs. (9 kg), arm should be configured to single-spring mode.

## Dimensions



# Flo® X Monitor Arm - Assembly

continued

## Specification Information

### Step 1.

**Y91195.**  A

### Step 2. Configuration

- 1**    1 monitor  A
- 2**    2 monitors  A
- 3**    3 monitors  A

### Step 3. Handle Option

#### For 1 monitor (1)

**NN**    no handle  A

#### For 2 monitors (2) or 3 monitors (3)

- HL**    with handle  A
- NN**    no handle  A

### Step 4. Attachment Bracket

**CM**    clamp mount  A

### Prices for Steps 1-4.

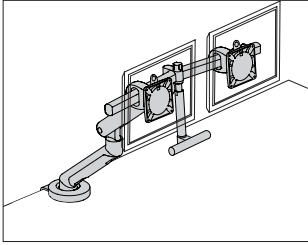
	<b>CM</b>
<b>Y91195. 1 NN</b>	\$723
<b>2 HL</b>	\$1043
<b>NN</b>	\$932
<b>3 HL</b>	\$1217
<b>NN</b>	\$1106

### Step 5. Finish

- OI**    silver  A                    +\$0
- OH**    black  A                        +\$0

# Flo® Plus Monitor Arm Assembly Y91174

Thrive™ Technology Support



## Product Information

### Description

This heavy duty version of the award-winning Flo® monitor arm is available in either single or dual monitor configuration. Flo Plus single configuration supports monitors ranging in weight from 20 to 33 pounds, offers up to 22<sup>1</sup>/<sub>4</sub>" of horizontal extension, 13" of vertical adjustability and +52°/-6° of monitor tilt. Flo Plus dual configuration supports monitor load from 20 to 40 pounds in total, offers up to 25<sup>3</sup>/<sub>4</sub>" of horizontal extension, 12<sup>3</sup>/<sub>8</sub>" of vertical adjustability and +35°/-36° of monitor tilt. A visual indicator shows the arm's tension setting, and an integrated cable management system secures cables neatly along the underside of the arm. The VESA bracket provides both 75mm and 100mm hole patterns.

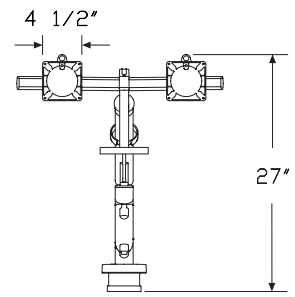
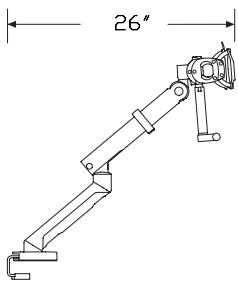
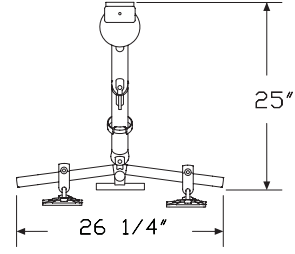
The single assembly features a tilt action and portrait-to-landscape rotation, each with adjustable friction. The recommended monitor size for single configuration is 43" maximum diagonal screen size.

The dual assembly supports monitors of maximum 22" width, approximately 24" diagonal screen size. Each monitor arm has an independent tilt feature that minimizes glare.

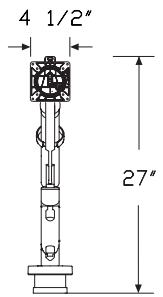
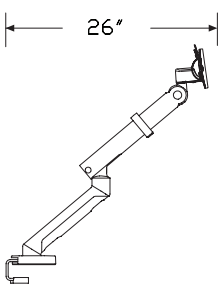
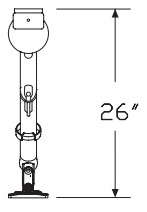
### Notes

- 75mm and 100mm VESA compliant.
- Allen wrench for installing and tensioning the monitor arms included.
- Flo Plus head for single configuration comes in black finish only.
- Hardware to attach VESA brackets to monitors included.
- Monitor weight range for Flo Plus, single (Y91174.1) is 20-33 pounds.
- Monitor weight range for Flo Plus, dual (Y91174.2) is 20-40 pounds in total for both monitors.

## Dimensions



Dual



Single



# Flo® Plus Monitor Arm Assembly

continued

## Specification Information

Step 1.

**Y91174.**  A

Step 2. Configuration

**1** flo plus, single  A

**2** flo plus, dual

Step 3. Attachment Method

**CM** clamp mount

Prices for Steps 1-3.

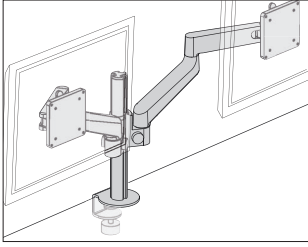
	<b>CM</b>
<b>Y91174. 1</b>	\$745
<b>2</b>	\$991

Step 4. Finish

**0I** silver + \$0

# Lima Monitor Arm Assembly

Y97211



Thrive™ Technology Support

## Product Information

### Description

This monitor arm assembly includes a 12<sup>3</sup>/<sub>4</sub>" post with integrated clamp attachment, and 1 or 2 adjustable Lima monitor arms. The Lima arm provides 8" of push button vertical height adjustment, 18" of horizontal extension and +80°/-10° of tilt. An integrated 3-point cable management system secures cables along the underside of the arm. The VESA bracket provides both 75mm and 100mm hole patterns, and hardware is included to attach the VESA brackets to monitors.

### Notes

Accommodates monitor weights up to 14 pounds each.  
 Maximum diagonal screen size width in dual monitor setup is 27".  
 Integrated post clamp attachment has thumbscrew adjustment.  
 For adding up to 1 additional arm (for a total of 2 arms), order the following product separately:

- Lima expansion monitor arm-arm only (Y97212.)

Finish for post is predetermined by arm finish choice:

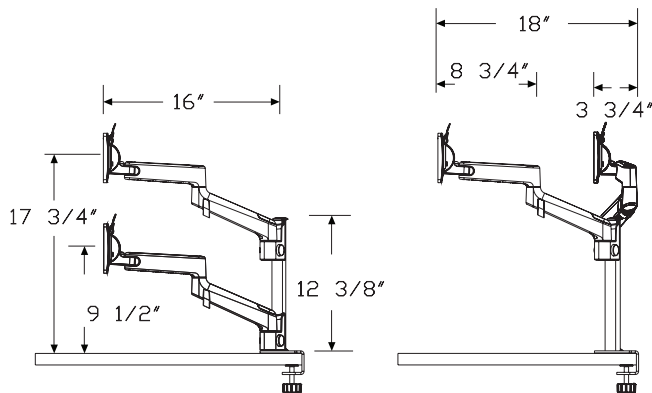
Arm Finish—Post Finish

Silver (0I)—Silver post and clamp

White (0J)—Silver post and clamp

Black (0H)—Black post and clamp

## Dimensions



## Specification Information

### Step 1.

**Y97211.**  A

### Step 2. Post Type

**L** lima post with integrated clamp  A

### Step 3. Number of Arms

**1** 1 arm  A

**2** 2 arms  A

### Step 4. Attachment Bracket

**LC** clamp mount lima post  A

### Prices for Steps 1-4.

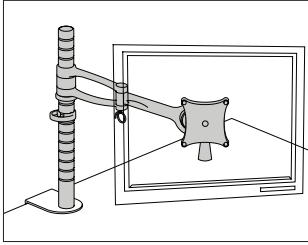
		LC
<b>Y97211. L</b>	<b>1</b>	\$311
	<b>2</b>	\$509

### Step 5. Finish

<b>0H</b>	black <input type="checkbox"/> A	+\$0
<b>0I</b>	silver <input type="checkbox"/> A	+\$0
<b>0J</b>	white <input type="checkbox"/> A	+\$0

# Wishbone® Single-Screen Monitor Arm Assembly

Y91011



## Product Information

### Description

This monitor arm assembly supports a single flat panel monitor and includes a 15<sup>3</sup>/<sub>4</sub>" post, monitor arm, and attachment bracket for a variety of mounting options. The Wishbone® post option includes a monitor arm location ring, a cable management clip, and an extension stud. The monitor arm has a quick release monitor attachment, and allows the monitor to be positioned as landscape or portrait. It has 100° vertical tilt, and 180° horizontal movement. Attachment hardware included.

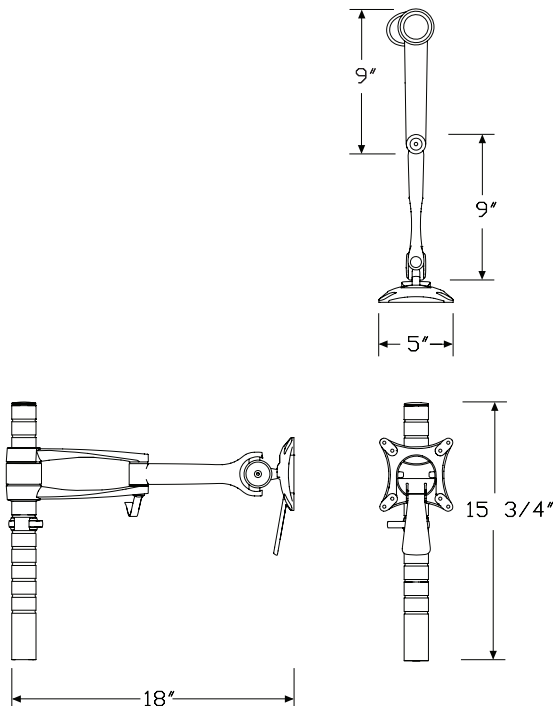
### Notes

Maximum monitor weight is 26 lbs.

Grommet mount option (GR) accommodates surfaces up to 1<sup>1</sup>/<sub>2</sub>" thick. Clamp mount options accommodate surfaces between 1/2" and 2<sup>5</sup>/<sub>8</sub>" thick.

This product was designed by Colebrook Bosson Saunders Products Ltd.

### Dimensions



## Specification Information

### Step 1.

**Y91011.**

### Step 2. Post Type

**W** wishbone post

### Step 3. Attachment Bracket

#### For wishbone post (W)

**NN** no attachment bracket

**GR** grommet mount

**WC** clamp mount for wishbone post

**T1** through-surface mount, up to 1<sup>3</sup>/<sub>8</sub>" thick

**T2** through-surface mount, up to 2<sup>3</sup>/<sub>4</sub>" thick

**LOC** Locale® through surface mount

**LSR** Layout Studio performance rail

### Prices for Steps 1-3.

	<b>NN</b>	<b>GR</b>	<b>WC</b>	<b>T1</b>	<b>T2</b>	<b>LOC</b>
<b>Y91011. W</b>	\$482	616	569	512	519	514

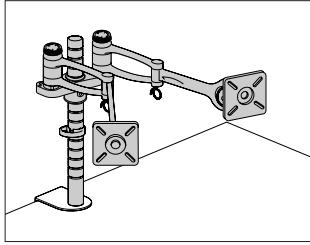
### LSR

**Y91011. W** \$580

### Step 4. Finish

**OI** silver +\$0

# Wishbone® Dual-Screen Monitor Arm Assembly Y91012



Thrive™ Technology Support

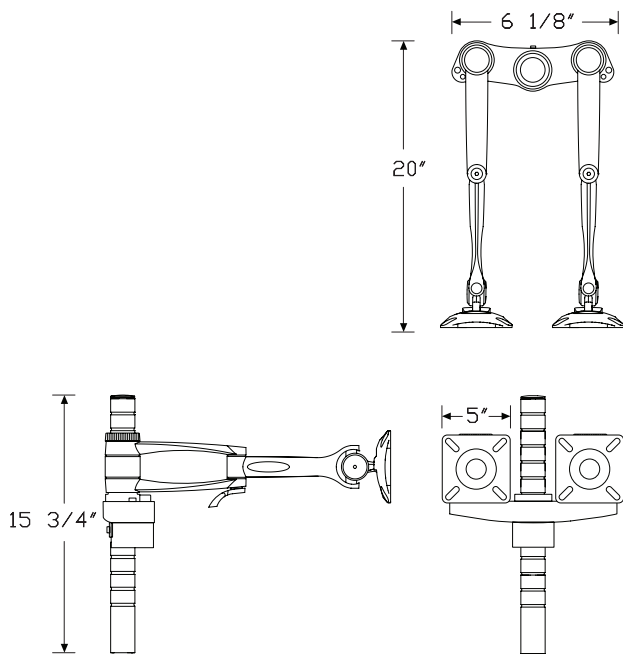
## Product Information

**Description**  
 This monitor arm assembly supports 2 flat panel monitors and includes a 15 3/4" post, 2 monitor arms with back-to-back post bracket, and an attachment bracket for a variety of mounting options. The Wishbone® post option includes a monitor arm location ring, a cable management clip, and an extension stud. The monitor arms have a quick release monitor attachment, and allow the monitors to be positioned as landscape or portrait. They have 100° vertical tilt, and 180° horizontal movement.

## Notes

Maximum monitor weight is 26 lbs. per monitor arm.  
 Grommet mount option (GR) accommodates surfaces up to 1 1/2" thick.  
 Clamp mount options accommodate surfaces between 1/2" and 2 5/8" thick.  
 This product was designed by Colebrook Bosson Saunders Products Ltd.

## Dimensions



## Specification Information

### Step 1.

**Y91012.**

### Step 2. Post Type

**W** wishbone post

### Step 3. Attachment Bracket

#### For wishbone post (W)

- NN** no attachment bracket
- GR** grommet mount
- WC** clamp mount for wishbone post
- T1** through-surface mount, up to 1 3/8" thick
- T2** through-surface mount, up to 2 3/4" thick
- LOC** Locale® through surface mount A
- LSR** Layout Studio performance rail A

### Prices for Steps 1-3.

	<b>NN</b>	<b>GR</b>	<b>WC</b>	<b>T1</b>	<b>T2</b>	<b>LOC</b>
<b>Y91012. W</b>	\$973	1107	1060	1003	1010	1005

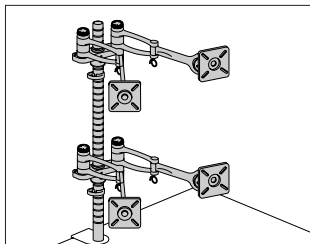
### LSR

**Y91012. W** \$1071

### Step 4. Finish

**01** silver +\$0

# Wishbone® Quad-Screen Monitor Y91015 Arm Assembly



## Product Information

### Description

This monitor arm assembly with post(s) supports 4 flat panel monitors on 4 monitor arms with 2 back-to-back post brackets. The wishbone post option includes 2 15<sup>3</sup>/<sub>4</sub>" posts, a location ring, a cable management clip, and an extension stud. The monitor arms have a quick release monitor attachment, and allow the monitors to be positioned as landscape or portrait. They have 100° vertical tilt, and 180° horizontal movement.

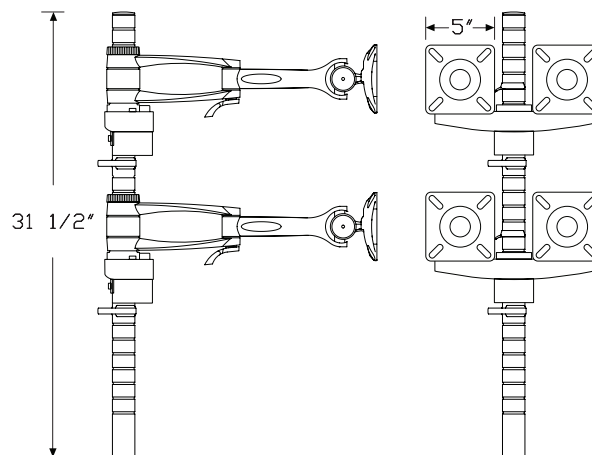
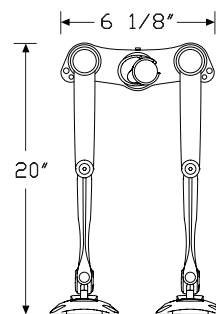
### Notes

Maximum monitor weight is 26 lbs. per monitor arm. When attaching to a Layout Studio® performance rail (LSR), maximum monitor weight is 15 lbs. per monitor arm.

Grommet mount option (GR) accommodates surfaces up to 1<sup>1</sup>/<sub>2</sub>" thick. Clamp mount options accommodate surfaces between 1/2" and 2<sup>5</sup>/<sub>8</sub>" thick.

This product was designed by Colebrook Bosson Saunders Products Ltd.

## Dimensions



# Wishbone® Quad-Screen Monitor Arm Assembly *continued*

**Specification Information**

Step 1.

**Y91015.**

Step 2. Post Type

**W** wishbone post

Step 3. Attachment Bracket

**NN** no attachment bracket

**GR** grommet mount

**WHC** high load clamp mount for Wishbone® post

**T1** through-surface mount, up to 1<sup>3</sup>/<sub>8</sub>" thick

**T2** through-surface mount, up to 2<sup>3</sup>/<sub>4</sub>" thick

**LSR** Layout Studio performance rail

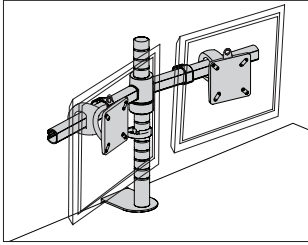
Prices for Steps 1-3.

	<b>NN</b>	<b>GR</b>	<b>WHC</b>	<b>T1</b>	<b>T2</b>	<b>LSR</b>
<b>Y91015. W</b>	\$1946	2080	2079	1976	1983	2044

Step 4. Finish

**01** silver +\$0

# Wishbone® Dual Bar Monitor Arm Y91016 Assembly



## Product Information

### Description

This monitor arm assembly supports 2 or 4 monitors and comes with Wishbone® post(s), Wishbone dual bar(s), and the specified attachment bracket. It includes a dual bar location ring, a cable management clip, and an extension stud. Each dual bar has 2 quick release monitor attachments, and allows the monitors to be positioned as landscape or portrait.

### Notes

The two monitors supported option (1) contains 1 Wishbone dual bar and 1 15<sup>3</sup>/<sub>4</sub>" Wishbone post.

The two monitors supported option (2) contains 1 Wishbone dual bar and 1 19" Wishbone post.

The four monitors supported option (4) contains 2 Wishbone dual bars and 2 15<sup>3</sup>/<sub>4</sub>" Wishbone posts.

Monitors are fixed at the desired height on the post attached at the back of the workstation.

Maximum monitor weight is 52 pounds per dual bar (26 pounds for each monitor).

Grommet mount option (GR) accommodates surfaces up to 1<sup>1</sup>/<sub>2</sub>" thick. Clamp mount options (WC, WHC) accommodate surfaces between 1/2" and 2<sup>5</sup>/<sub>8</sub>" thick.

Each Wishbone dual bar accommodates 2 monitors up to 24" wide each.

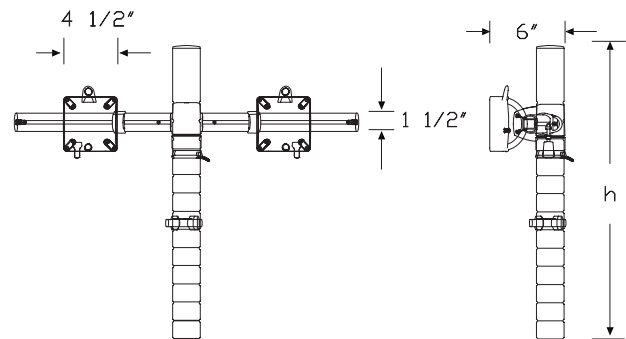
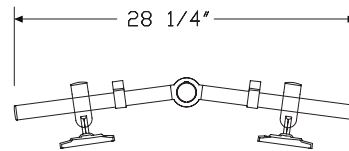
To support 4 monitors, specify Wishbone high load clamp (WHC) for the most support.

For extra support for the work surface, when specifying through-surface mounting brackets (T1 or T2), order spreader plate (Y92056.) separately.

For applications with 4 monitors, the Wishbone high load clamp should be used.

This product was designed by Colebrook Bosson Saunders Products Ltd.

## Dimensions



# Wishbone® Dual Bar Monitor Arm Assembly *continued*

## Specification Information

### Step 1.

**Y91016.**  A

### Step 2. Number of Monitors

- 1** two monitors supported - one Wishbone® dual bar 15<sup>3</sup>/<sub>4</sub>" post  A
- 2** two monitors supported - one Wishbone® dual bar 19" post  A
- 4** four monitors supported - two Wishbone® dual bars 15<sup>3</sup>/<sub>4</sub>" post  A

### Step 3. Attachment Bracket

*For two monitors supported - one Wishbone® dual bar 15<sup>3</sup>/<sub>4</sub>" post (1)  
or two monitors supported - one Wishbone® dual bar 19" post (2)*

- NN** no attachment bracket  A
- GR** grommet mount  A
- WC** clamp mount for wishbone post  A
- WHC** high load clamp mount for Wishbone® post  A
- T1** through-surface mount, up to 1<sup>3</sup>/<sub>8</sub>" thick  A
- T2** through-surface mount, up to 2<sup>3</sup>/<sub>4</sub>" thick  A
- LSR** Layout Studio performance rail  A

*For four monitors supported - two Wishbone® dual bars 15<sup>3</sup>/<sub>4</sub>" post (4)*

- WHC** high load clamp mount for Wishbone® post  A

### Prices for Steps 1-3.

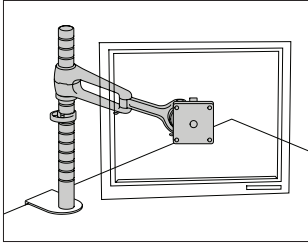
	<b>NN</b>	<b>GR</b>	<b>WC</b>	<b>WHC</b>	<b>T1</b>	<b>T2</b>
<b>Y91016. 1</b>	\$645	779	732	778	675	682
<b>2</b>	\$651	785	738	784	681	688
<b>4</b>	—	—	—	\$1423	—	—
						<b>LSR</b>
<b>Y91016. 1</b>						\$743
<b>2</b>						\$749

### Step 4. Finish

**01** silver  A +\$0



# Wishbone® Plus Single-Screen Monitor Arm Assembly Y91021



## Product Information

### Description

This monitor arm assembly supports a single flat panel monitor and includes a 19<sup>3</sup>/<sub>4</sub>" post, monitor arm, and attachment bracket for a variety of mounting options. The wishbone post option includes a monitor arm location ring, a cable management clip, and an extension stud. The monitor arm has a quick release monitor attachment, and allows the monitor to be positioned as landscape or portrait. It has 80° vertical tilt.

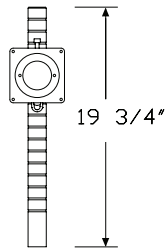
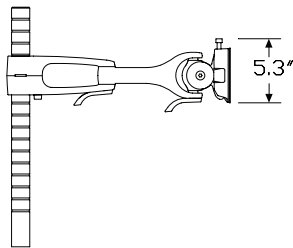
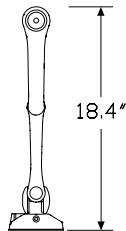
### Notes

Maximum monitor weight is 52 lbs.

Grommet mount option (GR) accommodates surfaces up to 1<sup>1</sup>/<sub>2</sub>" thick. Clamp mount options accommodate surfaces between 1/2" and 2<sup>5</sup>/<sub>8</sub>" thick.

This product was designed by Colebrook Bosson Saunders Products Ltd.

### Dimensions



## Specification Information

### Step 1.

**Y91021.**

### Step 2. Post Type

**W** wishbone post

### Step 3. Attachment Bracket

#### For wishbone post (W)

**NN** no attachment bracket

**GR** grommet mount

**WC** clamp mount for wishbone post

**T1** through-surface mount, up to 1<sup>3</sup>/<sub>8</sub>" thick

**T2** through-surface mount, up to 2<sup>3</sup>/<sub>4</sub>" thick

**LOC** Locale® through surface mount A

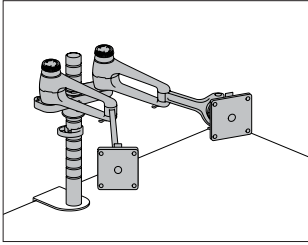
### Prices for Steps 1-3.

	<b>NN</b>	<b>GR</b>	<b>WC</b>	<b>T1</b>	<b>T2</b>	<b>LOC</b>
<b>Y91021. W</b>	\$556	690	643	586	593	598

### Step 4. Finish

**OI** silver +\$0

# Wishbone® Plus Dual-Screen Monitor Arm Assembly Y91022



Thrive™ Technology Support

## Product Information

### Description

This monitor arm assembly supports 2 flat panel monitors and includes a 19<sup>3</sup>/<sub>4</sub>" post, 2 monitor arms with back-to-back post bracket, and an attachment bracket for a variety of mounting options. The Wishbone® post option includes a monitor arm location ring, a cable management clip, and an extension stud. The monitor arms have a quick release monitor attachment, and allow the monitors to be positioned as landscape or portrait. They have 80° vertical tilt.

### Notes

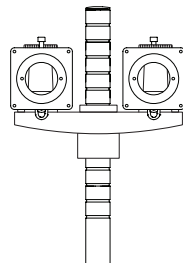
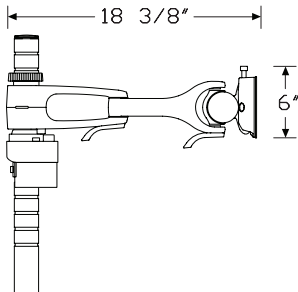
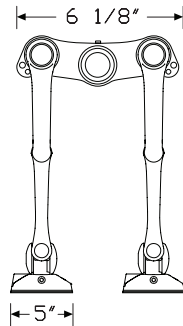
Maximum monitor weight is 52 lbs. per monitor arm.

Grommet mount option (GR) accommodates surfaces up to 1<sup>1</sup>/<sub>2</sub>" thick.

Clamp mount options accommodate surfaces between 1/2" and 2<sup>5</sup>/<sub>8</sub>" thick.

This product was designed by Colebrook Bosson Saunders Products Ltd.

### Dimensions



## Specification Information

### Step 1.

**Y91022.**

### Step 2. Post Type

**W** wishbone post

### Step 3. Attachment Bracket

#### For wishbone post (W)

**NN** no attachment bracket

**GR** grommet mount

**WC** clamp mount for wishbone post

**T1** through-surface mount, up to 1<sup>3</sup>/<sub>8</sub>" thick

**T2** through-surface mount, up to 2<sup>3</sup>/<sub>4</sub>" thick

**LOC** Locale® through surface mount A

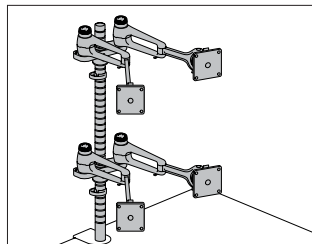
### Prices for Steps 1-3.

	<b>NN</b>	<b>GR</b>	<b>WC</b>	<b>T1</b>	<b>T2</b>	<b>LOC</b>
<b>Y91022. W</b>	\$1115	1249	1202	1145	1152	1154

### Step 4. Finish

**01** silver +\$0

# Wishbone® Plus Quad-Screen Monitor Arm Assembly Y91025



## Product Information

### Description

This monitor arm assembly with post(s) supports 4 flat panel monitors on 4 monitor arms with 2 back-to-back post brackets. The wishbone post option includes 2 15<sup>3</sup>/<sub>4</sub>" posts, a location ring, a cable management clip, and an extension stud. The monitor arms have a quick release monitor attachment, and allow the monitors to be positioned as landscape or portrait. They have 80° vertical tilt.

### Notes

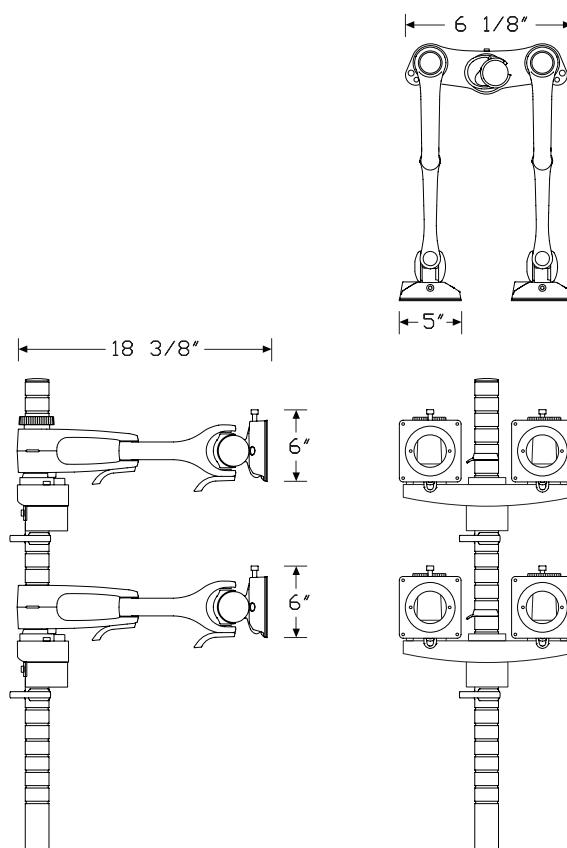
Maximum monitor weight is 52 lbs. per monitor arm.

Grommet mount option (GR) accommodates surfaces up to 1<sup>1</sup>/<sub>2</sub>" thick.

Clamp mount options accommodate surfaces between 1/2" and 2<sup>5</sup>/<sub>8</sub>" thick.

This product was designed by Colebrook Bosson Saunders Products Ltd.

## Dimensions



Wishbone® Plus Quad-Screen  
 Monitor Arm Assembly *continued*

Thrive™ Technology Support

**Specification Information**

Step 1.

**Y91025.**

Step 2. Post Type

**W** wishbone post

Step 3. Attachment Bracket

**NN** no attachment bracket

**GR** grommet mount

**WHC** high load clamp mount for Wishbone® post

**T1** through-surface mount, up to 1<sup>3</sup>/<sub>8</sub>" thick

**T2** through-surface mount, up to 2<sup>3</sup>/<sub>4</sub>" thick

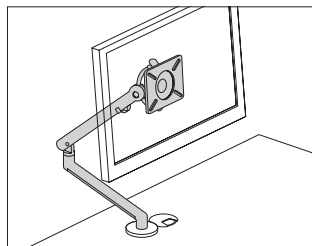
Prices for Steps 1-3.

	<b>NN</b>	<b>GR</b>	<b>WHC</b>	<b>T1</b>	<b>T2</b>
<b>Y91025. W</b>	\$2218	2352	2351	2248	2255

Step 4. Finish

**01** silver +\$0

# Flo® Single Screen Monitor Arm - Y92090 Arm Only



## Product Information

### Description

This easy to move, slim profile monitor arm supports a single flat panel monitor. It has a 13 1/4" height-adjustment range, a 20 5/8" extension range, and allows the monitor to tilt 40° upward and -40° downward. The arm includes a quick-disconnect feature that allows easy installation and removal of a monitor. It has integrated cable management along the underside of the arm, and a visual indicator that shows the arm's tension setting. The VESA attachment bracket provides 75mm and 100mm hole patterns. An allen wrench for adjusting the arm's tension is included. Attachment hardware included.

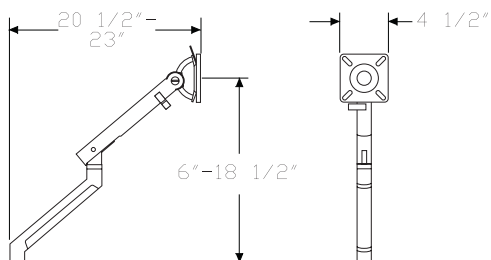
### Notes

Accommodates monitor weights ranging from 7 to 20 lbs.

Order the following products separately:

- Laptop mount (Y91177.)
- Flo Two-Piece Clamp Mount (Y92092.)
- Flo Through Mount (Y92094.)
- Flo Resolve Pole Mount (Y92095.)

## Dimensions



## Specification Information

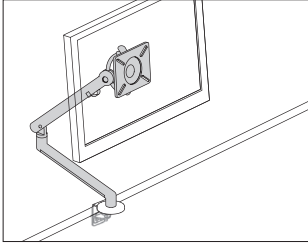
### Step 1.

**Y92090.** \$380

### Step 2. Finish

<b>OI</b>	silver	+\$0
<b>OJ</b>	white	+\$0
<b>OH</b>	black	+\$0

# Flo® Single Screen Monitor Arm Y92120 Bulk Pack - Arms Only



Thrive™ Technology Support

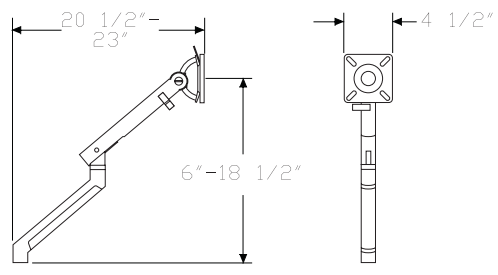
## Product Information

**Description**  
 This bulk pack contains 10 individual Flo® monitor arms (Y92090.) of specified finish. The easy to move, slim profile monitor arm supports a single flat panel monitor. It has a 13<sup>1</sup>/<sub>4</sub>" height-adjustment range, a 20<sup>5</sup>/<sub>8</sub>" extension range, and allows the monitor to tilt 40° upward and -40° downward. The arm includes a quick-disconnect feature that allows easy installation and removal of a monitor. It has integrated cable management along the underside of the arm, and a visual indicator that shows the arm's tension setting. The VESA attachment bracket provides 75mm and 100mm hole patterns. VESA attachment hardware included.

## Notes

Monitor arm accommodates monitor weights ranging from 7 to 20 lbs.  
 Bulk pack includes 1 instruction booklet and 1 hex key for adjusting the arm's tension.  
 Order the desired attachment bracket separately.  
 To hold a laptop computer or tablet, order Ollin laptop and tablet mount (Y95011.) separately.

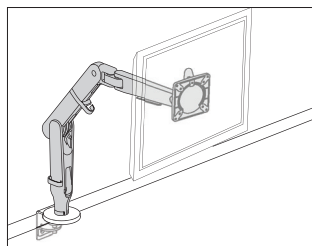
## Dimensions



## Specification Information

Step 1.		
<b>Y92120.</b>	<b>A</b>	\$3544
Step 2. Finish		
<b>OI</b>	silver <b>A</b>	+\$0
<b>OJ</b>	white	+\$0

# Ollin Single Screen Monitor Arm - Y95000 Arm Only



## Product Information

### Description

This monitor arm utilizes a technical cord which allows it to support monitors weighing up to 20 pounds. The arm provides 14½" of vertical height adjustment, 24" of horizontal extension, and +80/-10° of tilt. A visual indicator shows the arm tension setting, and an integrated cable management system secures cables neatly along the arm. This monitor arm is user adjustable without tools. VESA brackets provide both 75mm and 100mm hole patterns. Bracket attachment hardware included.

### Notes

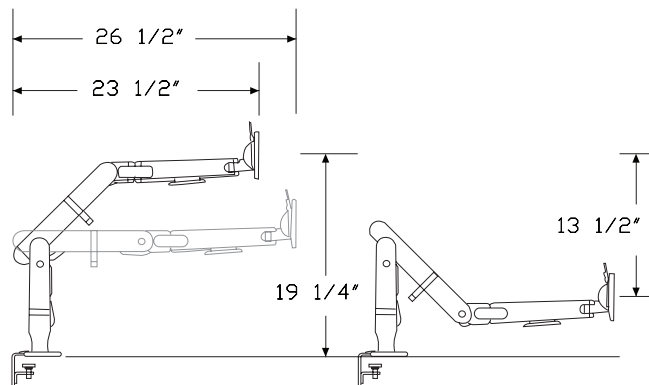
Accommodates monitor weights ranging from 0-20 pounds.

Order monitor arm clamp separately.

- Flo two-piece clamp mount (Y92092.)
- Flo through mount (Y92094.)

To hold a laptop computer, order laptop mount (Y91177.) separately.

### Dimensions



## Specification Information

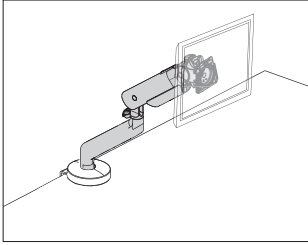
### Step 1.

**Y95000.** A \$433

### Step 2. Finish

<b>OI</b>	silver	+\$0
<b>OJ</b>	white	+\$0
<b>OH</b>	black <span style="border: 1px solid black; padding: 0 2px;">A</span>	+\$20

Flo® X Monitor Arm - Arm Only Y98000



Thrive™ Technology Support

**Product Information**

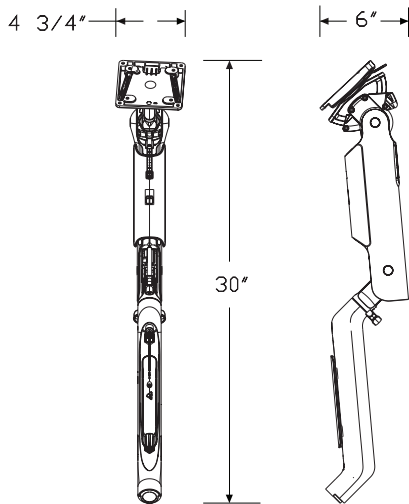
**Description**  
 Flo® X is the latest evolution of high-load monitor support from Colebrook Bosson Saunders, capable of holding heavy and large screens, including curved monitors. Its dual spring technology accommodates heavy monitors and can be configured for a lower weight range (down to 7 lbs./3 kg), if required. A visual indicator shows the arm's tension setting, saving time for multiple installations. An integrated cable management system secures cables neatly along the underside of the arm. Hex key for installing and tensioning the monitor arm is included.

Flo X monitor arm supports one monitor up to 40 lbs. (18 kg) and offers up to 24.09" (612 mm) of horizontal extension, 21.14" (537 mm) of vertical reach, +30°/-10° of monitor tilt and portrait-to-landscape screen adjustment.

**Notes**

75 mm and 100 mm VESA compliant.  
 Supports monitors ranging in weight from 7-40 lbs. (3-18 kg).  
 Order Flo X two-piece clamp mount (Y98005.) separately.

**Dimensions**

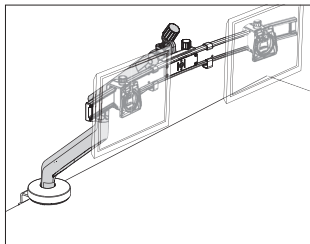


**Specification Information**

<b>Step 1.</b>		
<b>Y98000.</b>	<input type="checkbox"/> A	\$620
<b>Step 2. Finish</b>		
<b>OI</b>	silver <input type="checkbox"/> A	+\$0
<b>OH</b>	black <input type="checkbox"/> A	+\$0



# Flo® X Multi Mount Monitor Arm - Y98001 Arm Only



## Product Information

### Description

Flo® X Multi Mount Monitor Arm is the latest evolution of high-load monitor support from Colebrook Bosson Saunders, capable of dual screen mounting using Flo X Dual Mount Bar, and triple screen mounting with the addition of Flo X Triple Mount Kit. Its dual spring technology accommodates heavy monitors and can be configured for a lower weight range (down to 7 lbs./3 kg), if required. Screw-controlled D-ring tilt offers adjustment of complete mounted monitor installation. A visual indicator shows the arm's tension setting, saving time for multiple installations. An integrated cable management system secures cables neatly along the underside of the arm. Hex key for installing and tensioning the monitor arm is included.

Flo X dual configuration holds 2 monitors up to 32" and offers up to 27.91" (709 mm) of horizontal extension, 20.83" (529 mm) of vertical reach and +20°/-5° of monitor tilt.

Flo X triple configuration holds 3 monitors up to 27" and offers up to 31.06" (789 mm) of horizontal extension, 20.83" (529 mm) of vertical reach and +20°/-5° of monitor tilt.

### Notes

75 mm and 100 mm VESA compliant.

For dual screen configuration, monitor weight range is 2-18 lbs. (1-8 kg) per screen.

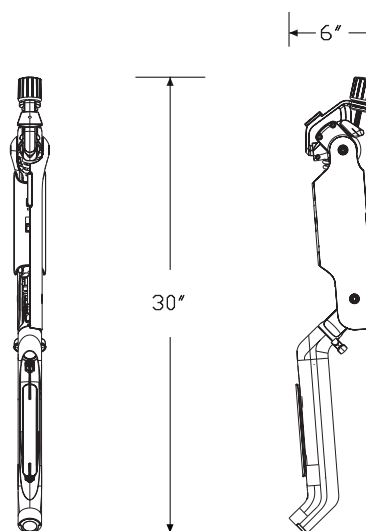
For triple screen configuration, monitor weight range is 2-11 lbs. (1-5 kg) per screen.

For total mounted load below 20 lbs. (9 kg), arm should be configured to single-spring mode.

Order the following products separately:

- Flo X dual mount bar (Y98002.)
- Flo X triple bar extension kit (Y98003.)
- Flo X two-piece clamp mount (Y98005.)

## Dimensions



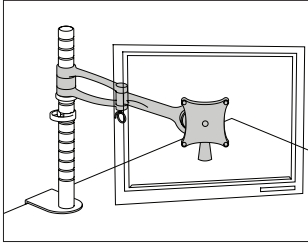
# Flo® X Multi Mount Monitor Arm - Arm Only *continued*

Thrive™ Technology Support

Specification Information		
Step 1.		
<b>Y98001.</b>	<input type="checkbox"/> A	\$558
Step 2. Finish		
<b>0I</b>	silver <input type="checkbox"/> A	+\$0
<b>0H</b>	black <input type="checkbox"/> A	+\$0

Wishbone® Monitor Arm

Y92000



**Product Information**

**Description**

This monitor arm can be used to create a new assembly, or can be added to an existing assembly to support an additional flat panel monitor. It has a quick release monitor attachment, and allows the monitor to be positioned as landscape or portrait. It has 100° vertical tilt, and 180° horizontal movement. To create a monitor arm assembly, monitor arm post and post attachment bracket must be specified separately.

**Notes**

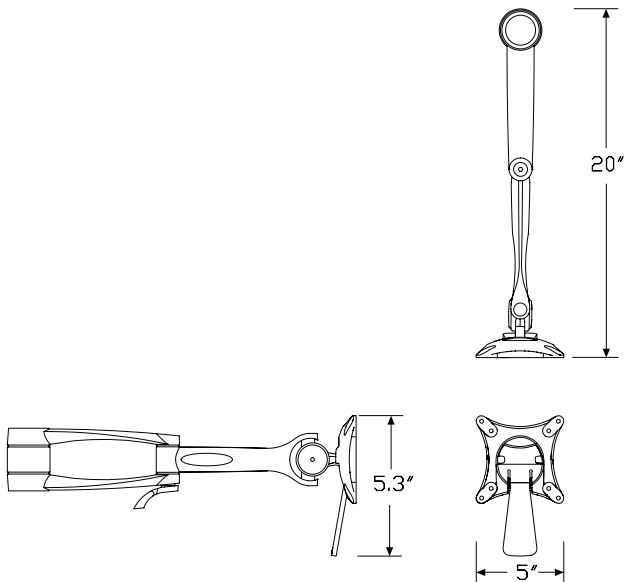
Maximum monitor weight is 26 lbs.

For a single or double monitor arm assembly, specify 1 15<sup>3</sup>/<sub>4</sub>" wishbone post. For a quad monitor arm assembly, specify 2 15<sup>3</sup>/<sub>4</sub>" wishbone posts.

When attaching 2 monitor arms to a post, specify enhanced back-to-back post bracket (Y92009.) separately.

This product was designed by Colebrook Bosson Saunders Products Ltd.

**Dimensions**



**Specification Information**

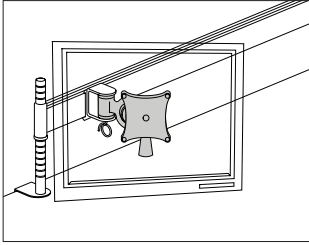
**Step 1.**

**Y92000.** \$354

**Step 2. Finish**

**01** silver +\$0

Wishbone® C-Post with Quick Release Y92026



Thrive™ Technology Support

**Product Information**

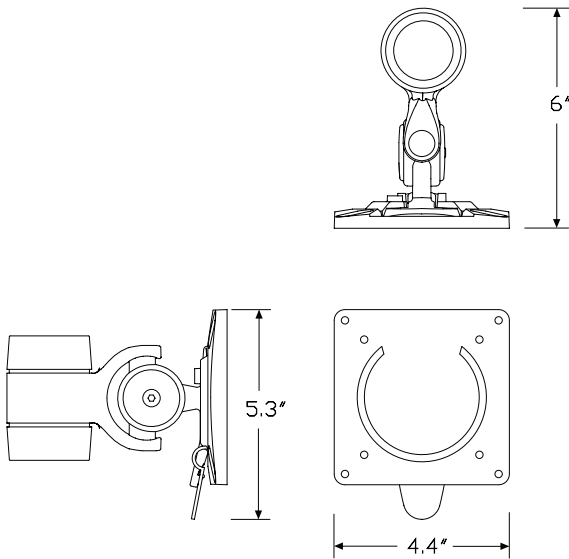
**Description**

This monitor c-post can be used to create a new assembly, or can be added to an existing assembly to support and additional flat panel monitor. It has a quick-release monitor attachment, and allows the monitor to be positioned as landscape or portrait. Toolbar attachment bracket must be specified separately.

**Notes**

Maximum monitor weight is 26 lbs.  
 When attaching 2 c-posts to a post, specify enhanced back-to-back post bracket (Y92009.) separately.  
 This product was designed by Colebrook Bosson Saunders Products Ltd.

**Dimensions**



**Specification Information**

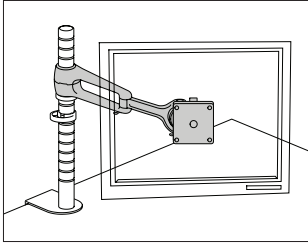
**Step 1.**

**Y92026.** [A] \$268

**Step 2. Finish**

**01** silver [A] +\$0

Wishbone® Plus Monitor Arm Y92007



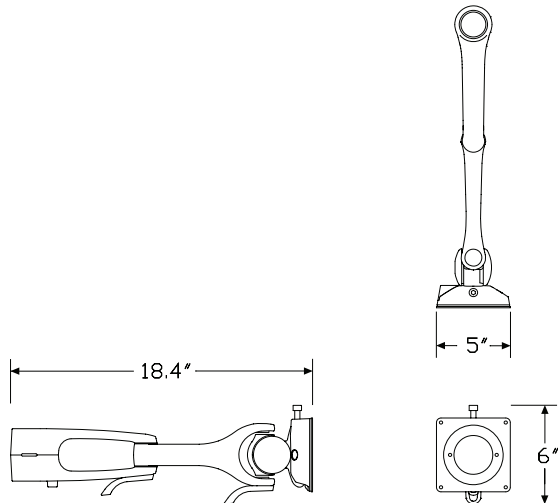
**Product Information**

**Description**  
 This monitor arm can be used to create a new assembly, or can be added to an existing assembly to support an additional flat panel monitor. It has a quick release monitor attachment, and allows the monitor to be positioned as landscape or portrait. It has 100° vertical tilt, and 180° horizontal movement. To create a monitor arm assembly, monitor arm post and post attachment bracket must be specified separately.

**Notes**

Maximum monitor weight is 52 lbs.  
 For a single or double monitor arm assembly, specify 1 15<sup>3</sup>/<sub>4</sub>" wishbone post. For a quad monitor arm assembly, specify 2 15<sup>3</sup>/<sub>4</sub>" wishbone posts.  
 When attaching 2 monitor arms to a post, specify enhanced back-to-back post bracket (Y92009.) separately.  
 This product was designed by Colebrook Bosson Saunders Products Ltd.

**Dimensions**

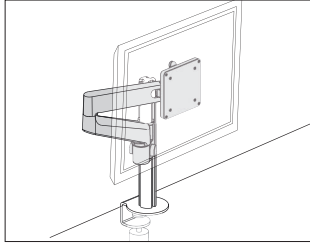


**Specification Information**

<b>Step 1.</b>	
<b>Y92007.</b> [A]	\$422
<b>Step 2. Finish</b>	
<b>01</b> silver [A]	+\$0

Thrive™ Technology Support

# Lima Expansion Monitor Arm - Y97212 Arm Only



Thrive™ Technology Support

## Product Information

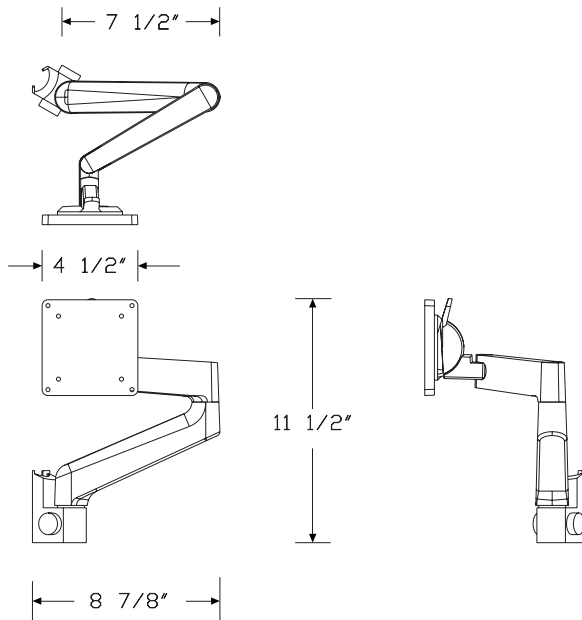
### Description

This monitor arm attaches to a Lima post and enables the monitor arm assembly to support a dual monitor solution. After attachment to the Lima post, the Lima expansion arm provides 8" of push button vertical height adjustment, 18" of horizontal extension and +80°/-10° of tilt. An integrated 3-point cable management system secures cables along the underside of the arm. The VESA bracket provides both 75mm and 100mm hole patterns, and hardware is included to attach the VESA brackets to monitors.

### Notes

- Accommodates monitor weights up to 14 pounds each.
- Maximum diagonal screen size width in dual monitor setup is 27".
- 100mm and 75mm VESA compliant.
- Order the following product separately:
  - Lima monitor arm - single arm and post (Y97211.)

## Dimensions



## Specification Information

### Step 1.

**Y97212.** A

### Step 2. Finish

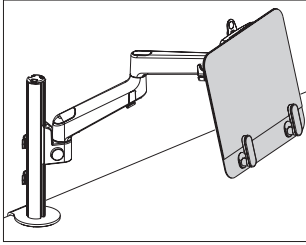
- 0H** black A
- 0I** silver A
- 0J** white A

### Prices for Steps 1-2.

<b>Y97212. 0H</b>	\$198
<b>0I</b>	\$198
<b>0J</b>	\$198

# Lima Laptop Mount

Y97002



## Product Information

### Description

This laptop mount lifts notebook computers off the work surface at an appropriate work height. It attaches to a Lima™ monitor arm with a 100mm VESA pattern. It supports laptops up to 16" screen size and up to 1" thick. It can be used in both single- and dual-screen applications. Laptops are held securely to the mount's anti-slide surface by 2 adjustable ratcheting feet.

### Notes

Mount accommodates laptop weights up to 6.2 lbs. (2.8 kg).

Mount supports laptops up to 16" screen size and up to 1" thick.

Thickness includes base and lid of laptop combined.

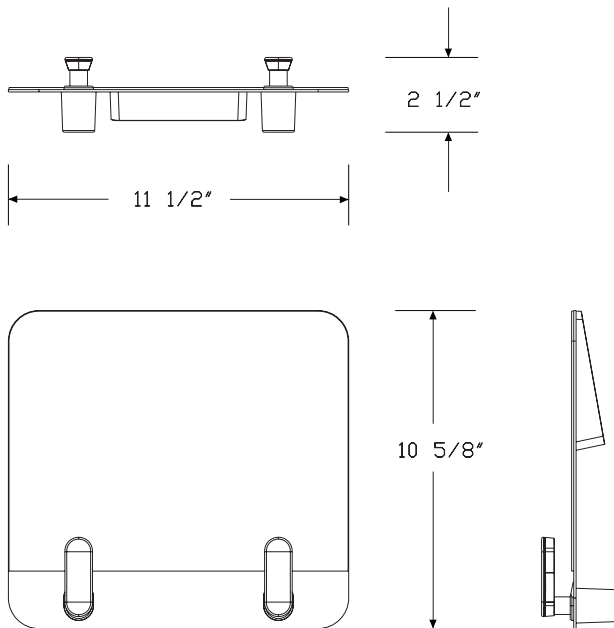
Requires 100mm VESA plate (provided with the monitor arm).

Order monitor arm separately:

- Lima monitor arm assembly (Y97211.)

This product is not recommended for tablet use. To use a tablet with Lima monitor arm, order Ollin® laptop and tablet mount (Y95011.) separately.

## Dimensions



## Specification Information

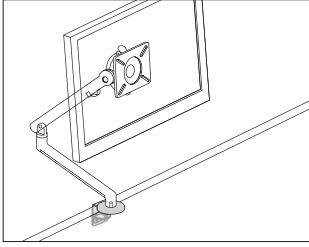
### Step 1.

**Y97002.**  A \$137

### Step 2. Finish

<b>OI</b>	silver	<input type="checkbox"/> A	+\$0
<b>OJ</b>	white	<input type="checkbox"/> A	+\$0
<b>OH</b>	black	<input type="checkbox"/> A	+\$0

Flo® Two-Piece Clamp Mount Y92092



Thrive™ Technology Support

**Product Information**

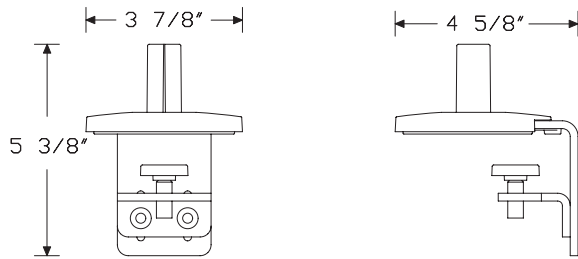
**Description**

This clamp is used to attach a Flo® single screen monitor arm - arm only (Y92090) or an Ollin single screen monitor arm - arm only (Y95000.) to a work surface. Attachment hardware included.

**Notes**

Flo two-piece clamp mount is compatible with Ollin monitor arms.  
 Order Ollin single screen monitor arm - arm only (Y95000.) separately.  
 Order Flo single screen monitor arm - arm only (Y92090) separately.  
 Clamp works on surfaces greater than 0" to less than 2 1/2" thick.

**Dimensions**



**Specification Information**

**Step 1.**

**Y92092.** \$88

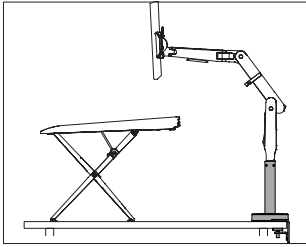
**Step 2. Finish**

<b>OH</b>	black	<input type="checkbox"/>	+\$0
<b>OI</b>	silver	<input type="checkbox"/>	+\$0
<b>OJ</b>	white	<input type="checkbox"/>	+\$0



# Ollin/Flo® Two-Piece Clamp Mount - Extended Height

Y93001



## Product Information

### Description

This extended height 2-piece clamp mount attaches a Flo® single screen monitor arm-arm only or an Ollin single screen monitor arm-arm only 8<sup>3</sup>/<sub>8</sub>" above a work surface. It is for use with the Monto Sit Stand Riser or with other desktop retrofittable sit stand solutions. Attachment hardware included.

### Notes

Compatible with Ollin single screen and Flo single screen monitor arms.

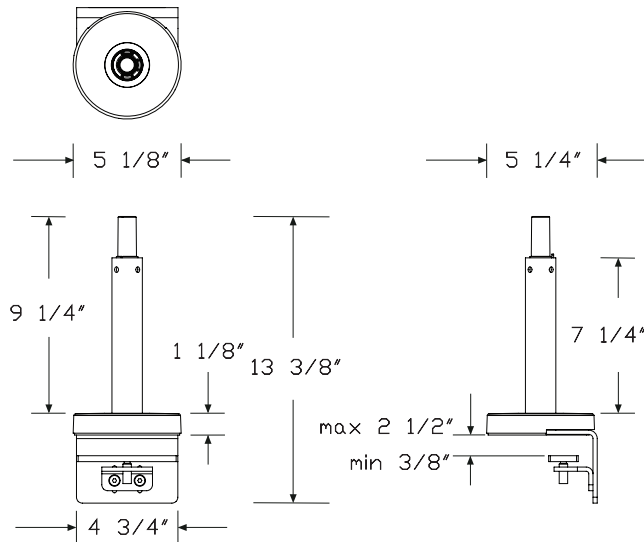
For monitor arm attachment at the worksurface, order Flo 2-piece clamp mount (Y92092.) separately.

Clamp works on surfaces greater than 0" to less than 2<sup>1</sup>/<sub>2</sub>" thick.

Order the following products separately:

- Ollin single screen monitor arm-arm only (Y95000.)
- Flo single screen monitor arm-arm only (Y92090.)
- Monto Sit Stand Riser (Y93000.)

## Dimensions



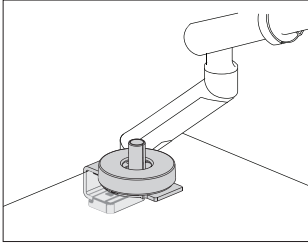
## Specification Information

### Step 1.

**Y93001.** \$185

### Step 2. Finish

<b>OH</b>	black	A	+\$0
<b>OI</b>	silver		+\$0
<b>OJ</b>	white		+\$0



Thrive™ Technology Support

**Product Information**

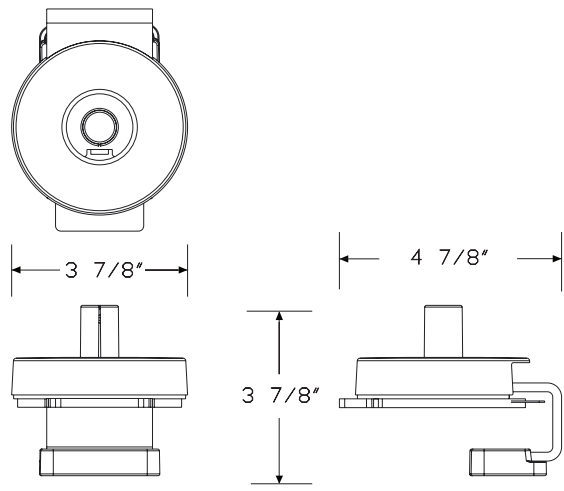
**Description**

This low profile clamp is used to attach a Flo® single screen monitor arm - arm only (Y92090) or an Ollin single screen monitor arm - arm only (Y95000.) to a work surface. The clamp is top mounted to speed installation. Attachment hardware is included.

**Notes**

Flo low profile clamp is compatible with Ollin monitor arms.  
 Order Ollin single screen monitor arm - arm only (Y95000.) separately.  
 Order Flo single screen monitor arm - arm only (Y92090) separately.  
 Clamp works on surfaces greater than 3/4" to less than 1 1/4" thick.

**Dimensions**



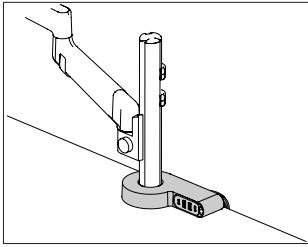
**Specification Information**

**Step 1.**

**Y92106.** A \$88

**Step 2. Finish**

**01** silver A +\$0



**Product Information**

**Description**

The Ondo Connectivity Module seamlessly integrates with a Flo®, Ollin®, Lima™, Flo Modular or Wishbone® monitor arm on the worksurface to offer fast, clutter-free connections between a laptop and other technology on the desk. Used in conjunction with the user's preferred docking station, it neatly manages all power, data, monitor, mouse, and keyboard connections and offers USB charging and connectivity of mobile devices such as phones and tablets.

**Notes**

Ondo can be retrofitted into existing Colebrook Bosson Saunders (CBS) monitor arm installations. It integrates into the two-piece surface clamp mount or low-profile clamp of Flo (Y91171.CM or Y91171.LPC) and Ollin (Y95111.1CM or Y95111.1LPC) into the post clamp attachment of Lima (Y97211.) or into the Wishbone post top-mounting surface clamp (Y92052.) when adding Ondo post clamp spacer (Y92203.). This assembly includes a module with 2 USB-A ports and 2 USB-C ports, a clamp cover of specified finish and the option of a laptop cable USB-C, 39<sup>3</sup>/<sub>8</sub>" (1 m) long.

Ondo integrates with Flo two-piece clamp mount (Y92092.), Flo low profile clamp (Y92106.), the post-clamp attachment of Lima (Y97211.) or the Wishbone post top-mounting surface clamp (Y92052.) when adding Ondo post clamp spacer (Y92203.).

Docking station not included.

USB-A ports are 3.1 Gen1, for data transfer up to 5Gbps and support charging 12 watts of power (5V, 2.4A max). USB-C ports are 3.0, for data transfer up to 5Gbps and support charging 15 watts of power (5V, 3.0A max).

Laptop cable option (LC) includes a USB-C 3.1 cable 39<sup>3</sup>/<sub>8</sub>" (1 m) long, female-to-male connector, 10Gbps, power delivery 2.0 capable and 60W maximum. Compatible with all laptops with USB-C ports. Select this option when the cable supplied with your chosen docking station is not suitable or long enough.

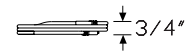
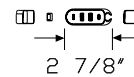
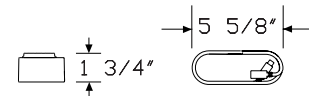
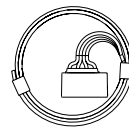
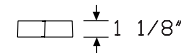
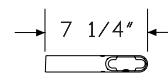
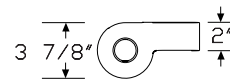
Finish for module and laptop cable is black (OH). Finish for clamp cover is specified as silver (OI), white (OJ) or black (OH).

Order the following products separately:

- Ondo post clamp spacer (Y92203.) for use with Wishbone or Flo Modular only
- Ollin single-screen monitor arm support (Y95111.1CM or Y95111.1LPC)
- Flo single-screen monitor arm support (Y91171.CM or Y91171.LPC)
- Lima monitor arm (Y97211.L1LC or Y97211.L2LC)
- Flo modular (Y91180.) with surface clamp mount (CM)
- Wishbone monitor arm family with clamp mount (WC)

To mount docking station under desk, order Loop Micro (Y92111.) separately.

**Dimensions**



**Specification Information**

Step 1.

**Y92110.**  A

Step 2. Connection Type

**AC** two USB-A ports and two USB-C ports  A

Step 3. Cable Option

**NN** no laptop cable  A

**LC** laptop cable  A

Prices for Steps 1-3.

	<b>NN</b>	<b>LC</b>
<b>Y92110. AC</b>	\$303	380

Step 4. Finish

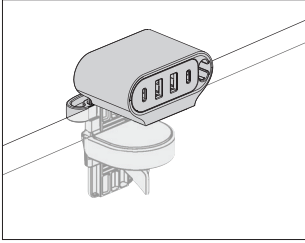
**0I** silver  A + \$0

**0J** white  A + \$0

**0H** black  A + \$0

# Ondo Connectivity Module - Worksurface Mount Assembly

Y92112



## Product Information

### Description

This assembly attaches the Ondo module (included) directly onto a work surface, independent of a monitor arm. It offers fast, clutter-free connections between a laptop and other technology on the desk. Used in conjunction with the user's preferred docking station, it neatly manages all power, data, monitor, mouse, and keyboard connections and offers USB charging and connectivity of mobile devices such as phones and tablets. The clamp mount has a soft-grip under-clamp pad for secure grip and surface protection. Mount can be placed in desired position along surface edge.

### Notes

Assembly includes a module with 2 USB-A ports and 2 USB-C ports, a free-standing clamp mount with specified finish, and the option of a laptop cable USB-C, 39<sup>3</sup>/<sub>8</sub>" (1 m) long.

Clamp works on surfaces greater than 0.39" (10 mm) to less than 1.5" (38 mm) thick.

USB-A ports are 3.1 Gen1, for data transfer up to 5Gbps and support charging 12 watts of power (5V, 2.4A max). USB-C ports are 3.0, for data transfer up to 5Gbps and support charging 15 watts of power (5V, 3.0A max).

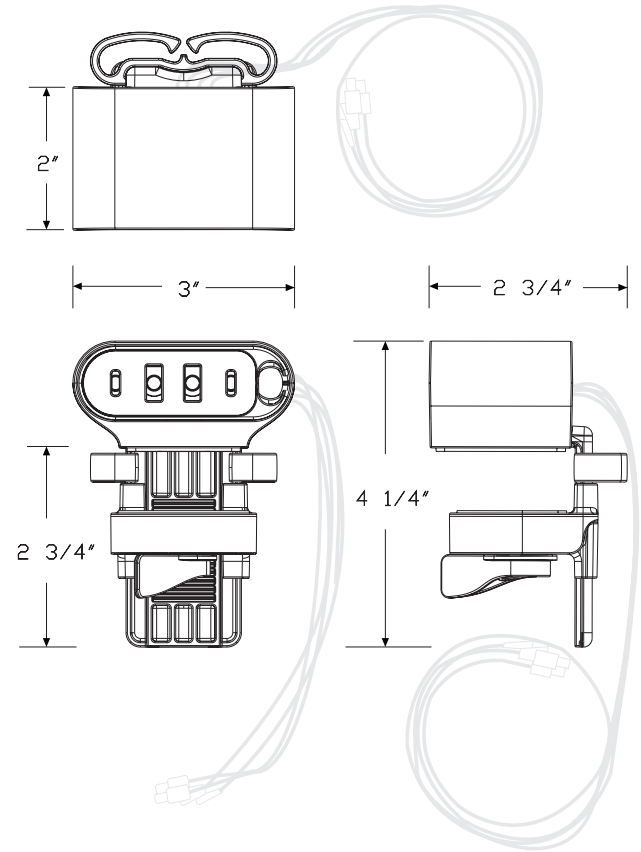
Laptop cable (LC) option includes a USB-C 3.1 cable 39<sup>3</sup>/<sub>8</sub>" (1 m) long, female-to-male connector, 10Gbps, power delivery 2.0 capable and 60W maximum. Compatible with all laptops with USB-C ports. Specify this option when the cable supplied with your chosen docking station is not suitable or long enough.

Finish for module and laptop cable is black (0H). Worksurface mount finish is specified.

To mount a docking station under desk, order Loop Micro (Y92111.) separately.

Docking station not included.

## Dimensions



# Ondo Connectivity Module - Worksurface Mount Assembly

continued

Thrive™ Technology Support

## Specification Information

Step 1.

**Y92112.**  A

Step 2. Connection Type

**AC** two USB-A ports and two USB-C ports  A

Step 3. Cable Option

**NN** no laptop cable  A

**LC** laptop cable  A

Prices for Steps 1-3.

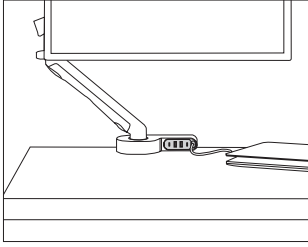
	<b>NN</b>	<b>LC</b>
<b>Y92112. AC</b>	\$311	385

Step 4. Finish

**OI** silver  A +\$0

**OJ** white  A +\$0

**OH** black  A +\$0



**Product Information**

**Description**

The Ondo Module integrates with a Flo®, Ollin®, Lima™, Flo Modular or Wishbone monitor arm using a clamp cover (not included) to offer fast, clutter-free connections between a laptop and other technology on the desk. Used in conjunction with the user’s preferred docking station, it neatly manages all power, data, monitor, mouse, and keyboard connections and offers USB charging and connectivity of mobile devices such as phones and tablets.

**Notes**

Ondo integrates with Flo two-piece clamp mount (Y92092.), Flo low profile clamp (Y92106.), the post-clamp attachment of Lima (Y97211.) or the Wishbone post top-mounting surface clamp (Y92052.) when adding Ondo post clamp spacer (Y92203.).

This module has 2 USB-A ports and 2 USB-C ports.

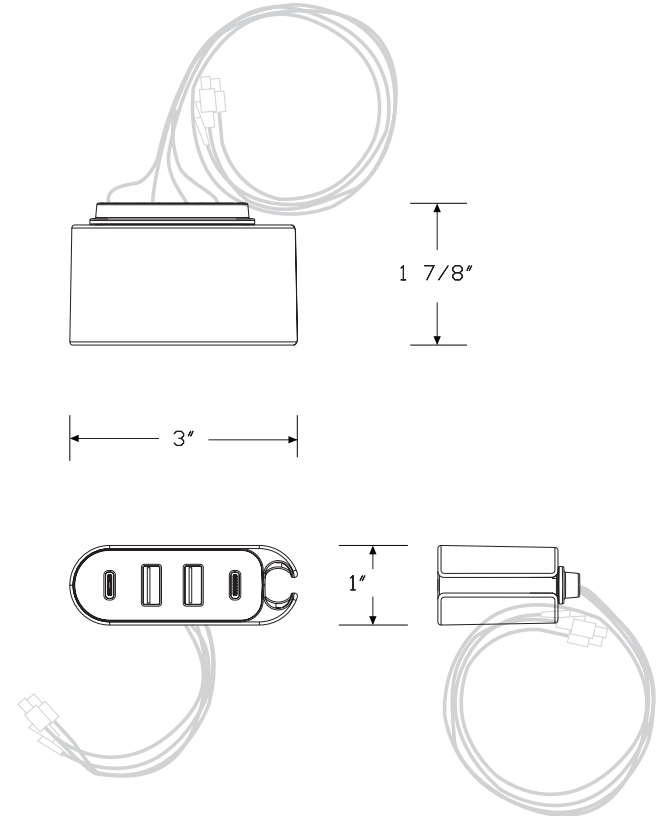
USB-A ports are 3.1 Gen1, for data transfer up to 5Gbps and support charging 12 watts of power (5V, 2.4A max). USB-C ports are 3.0, for data transfer up to 5Gbps and support charging 15 watts of power (5V, 3.0A max).

Docking station not included.

Order the following products separately:

- Ondo clamp cover (Y92201.)
- Ondo laptop cable (Y92202.)
- Ondo post clamp spacer (Y92203.) for use with Wishbone or Flo Modular only
- Ollin single-screen monitor arm support (Y95111.1CM or Y95111.1LPC)
- Flo single-screen monitor arm support (Y91171.CM or Y91171.LPC)
- Lima monitor arm (Y97211.L1LC or Y97211.L2LC)
- Flo modular (Y91180.) with surface clamp mount (CM)
- Wishbone monitor arm family with clamp mount (WC)

**Dimensions**



# Ondo Module *continued*

Thrive™ Technology Support

## Specification Information

Step 1.

**Y92200.**  A

Step 2. Connection Type

**AC** two USB-A ports and two USB-C ports  A

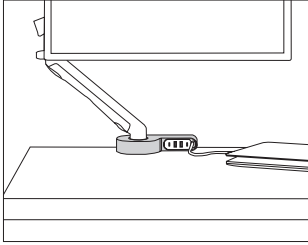
Prices for Steps 1-2.

**Y92200. AC** \$269

Step 3. Finish

**OH** black  A +\$0





**Product Information**

**Description**

The Ondo Clamp Cover houses the Ondo Module (not included) to integrate with an existing installation of a Flo®, Ollin®, Lima™, Flo Modular or Wishbone® monitor arm to offer fast, clutter-free connections between a laptop and other technology on the desk. Used in conjunction with the user's preferred docking station, it neatly manages all power, data, monitor, mouse, and keyboard connections and offers USB charging and connectivity of mobile devices such as phones and tablets.

**Notes**

For use with Flo or Ollin monitor arms, Ondo clamp cover replaces the clamp cover of the Flo two-piece clamp mount (Y92092.) or Flo low profile clamp (Y92106.).

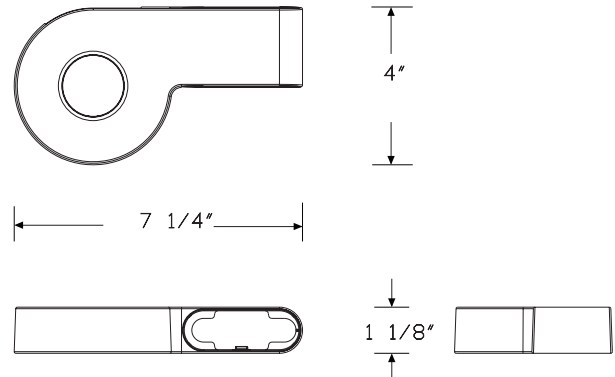
For use with Lima monitor arm (Y97211.), Ondo clamp cover integrates with the post-clamp attachment.

For use with Flo Modular (Y91180.) or Wishbone monitor arms, Ondo clamp cover replaces the clamp cover of the Wishbone post top-mounting surface clamp (Y92052.) and requires the addition of Ondo post clamp spacer (Y92203.) for added stability of post.

Order the following products separately:

- Ondo module (Y92200.)
- Ondo laptop cable (Y92202.), if required.
- Ondo post clamp spacer (Y92203.) for use with Wishbone or Flo Modular only
- Ollin single-screen monitor arm support (Y95111.1CM or Y95111.1LPC)
- Flo single-screen monitor arm support (Y91171.CM or Y91171.LPC)
- Lima monitor arm (Y97211.L1LC or Y97211.L2LC)
- Flo modular (Y91180.) with surface clamp mount (CM)
- Wishbone monitor arm family with clamp mount (WC)

**Dimensions**



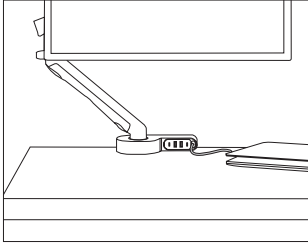
# Ondo Clamp Cover *continued*

Thrive™ Technology Support

Specification Information		
Step 1.		
<b>Y92201.</b>	<input type="checkbox"/> A	\$34
Step 2. Finish		
<b>0I</b>	silver <input type="checkbox"/> A	+\$0
<b>0J</b>	white <input type="checkbox"/> A	+\$0
<b>0H</b>	black <input type="checkbox"/> A	+\$0

# Ondo Laptop Cable

Y92202



### Product Information

#### Description

The Ondo Laptop Cable is a USB-C 3.1 (female) to USB-C (male) cable that connects a laptop on a work surface to a docking station under the surface. Cable length is 39<sup>3</sup>/<sub>8</sub>" (1 m).

#### Notes

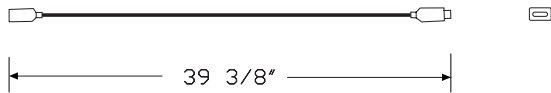
Use this product when the cable supplied with your chosen docking station is not suitable or long enough.

Ondo Laptop Cable is a USB-C 3.1 cable 39<sup>3</sup>/<sub>8</sub>" (1 m) long with female-to-male connector, 10Gbps. Power delivery 2.0 capable and 60W maximum. Compatible with all laptops with USB-C ports.

Order the following products separately:

- Ondo module (Y92200.)
- Ondo clamp cover (Y92201.)

#### Dimensions



### Specification Information

#### Step 1.

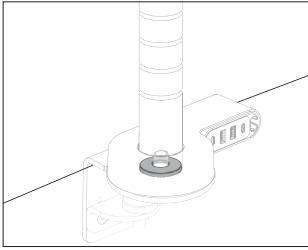
**Y92202.**  A \$77

#### Step 2. Finish

**OH** black  A +\$0

# Ondo Post Clamp Spacer

Y92203



Thrive™ Technology Support

## Product Information

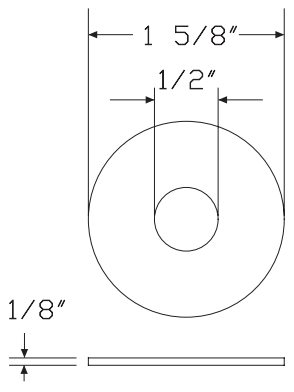
### Description

This spacer works with the Wishbone® Post Top-Mounting Surface Clamp to integrate Ondo Connectivity Module with an existing installation of Wishbone Post such as Flo® Modular or Wishbone monitor arms. It provides space stability in the clamp by adding a secure hold for the post and Ondo.

### Notes

- Order the following products separately:
- Wishbone post top-mounting surface clamp (Y92052.)
  - Ondo connectivity module (Y92110.)
  - A post-mounted monitor arm such as Wishbone or Flo Modular.

## Dimensions



## Specification Information

### Step 1.

**Y92203.** A

### Step 2. Finish

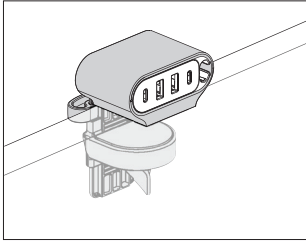
**01** silver A

### Prices for Steps 1-2.

**Y92203. 01** \$3

Ondo Worksurface Mount -  
Mount Only

Y92204



**Product Information**

**Description**

This worksurface mount attaches the Ondo module (not included) directly onto a work surface, independent of a monitor arm. The clamp mount has a soft-grip under-clamp pad for secure grip and surface protection. Mount can be placed in desired position along surface edge.

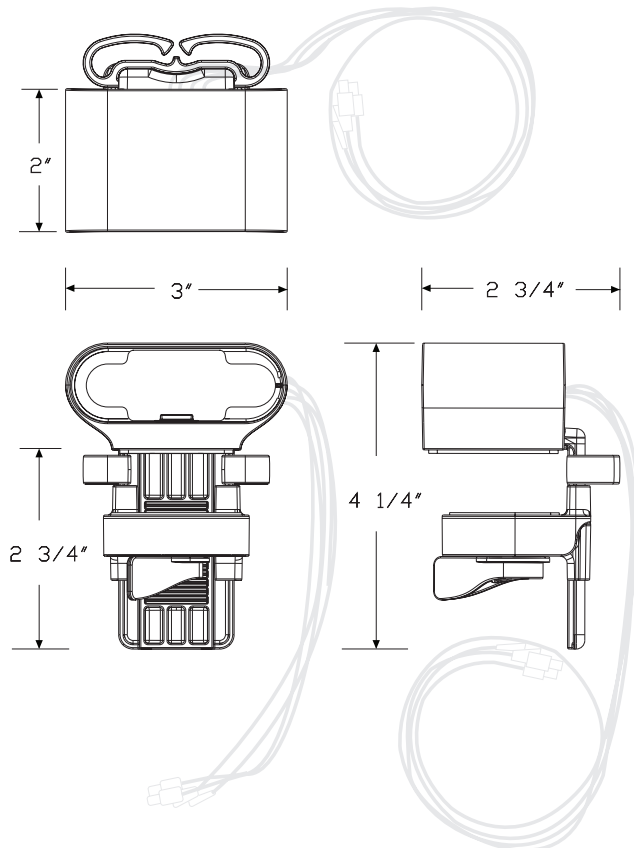
**Notes**

Clamp works on surfaces greater than 0.39" (10 mm) to less than 1.5" (38 mm) thick.

Order the following products separately:

- Ondo module (Y92200.)
- Ondo laptop cable (Y92202.), if required

**Dimensions**



**Specification Information**

**Step 1.**

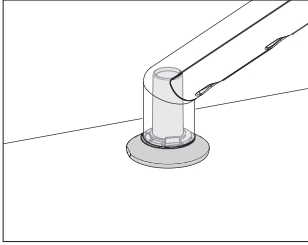
**Y92204.**  A \$50

**Step 2. Finish**

**OI** silver  A +\$0  
**OJ** white  A +\$0  
**OH** black  A +\$0

# Flo® Through Mount with Rotation Stop

Y92105



Thrive™ Technology Support

## Product Information

### Description

This through-mount is used to attach a Flo® single screen monitor arm - arm only (Y92090) or an Ollin single screen monitor arm - arm only (Y95000.) to a work surface through a drilled hole. It can be set to stop arm rotation at either 90° or 180° to prevent arm contact with a screen or wall. The rotational stop can be removed to allow 360° arm rotation. Includes through-surface mounting bracket selected based on thickness of work surface.

### Notes

Flo through mount with rotational stop is compatible with Ollin monitor arms.

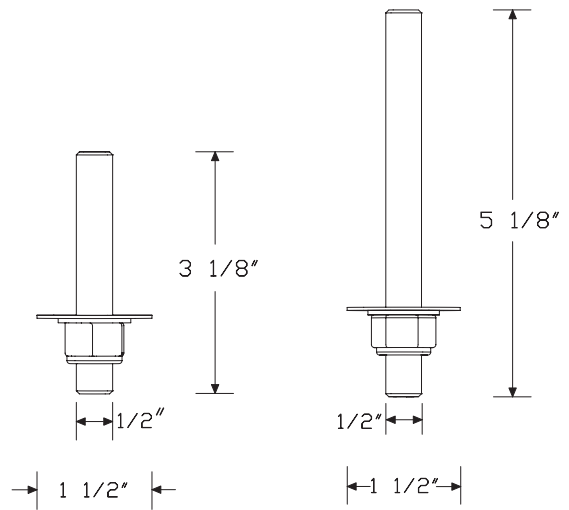
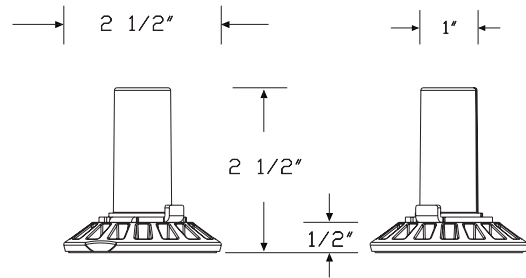
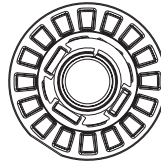
This product comes with 3 interchangeable covers: 1 light gray, 1 dark gray, and 1 black. Light gray cover is compatible with white finish Flo and Ollin monitor arms, dark gray cover is compatible with silver finish Flo and Ollin monitor arms, and black cover is compatible with black finish Flo and Ollin monitor arms.

Order Ollin single screen monitor arm - arm only (Y95000.) separately.

Order Flo single screen monitor arm - arm only (Y92090) separately.

Specify mounting bracket based on surfaces up to 1 3/8" thick (Y92105.1) or up to 3" thick (Y92105.2).

## Dimensions



Bolt for  
Y92105.1

Bolt for  
Y92105.2

# Flo® Through Mount with Rotation Stop *continued*

## Specification Information

Step 1.

**Y92105.**  A

Step 2. Surface Mounting

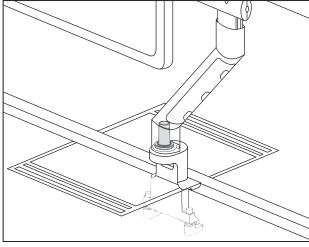
**1** for surfaces up to 1<sup>3</sup>/<sub>8</sub>" thick  A

**2** for surfaces up to 3" thick  A

Prices for Steps 1-2.

<b>Y92105.</b>	<b>1</b>	\$122
	<b>2</b>	\$122

Flo® Layout Studio Attachment Pin Y92089



Thrive™ Technology Support

**Product Information**

**Description**

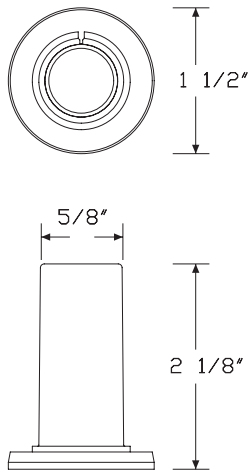
This attachment pin is used with the Flo® Layout Studio® performance rail clamp to attach a Flo single screen monitor arm to a Layout Studio performance rail. Attachment hardware included.

**Notes**

Order the following products separately:

- Flo Layout Studio performance rail clamp (Y92098.)
- Flo single screen monitor arm-arm only (Y92090.)

**Dimensions**



**Specification Information**

**Step 1.**

**Y92089.** [A] \$49

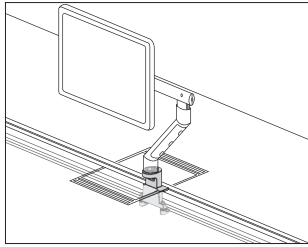
**Step 2. Finish**

**01** silver [A] +\$0



# Performance Rail Clamp

Y92098



## Product Information

### Description

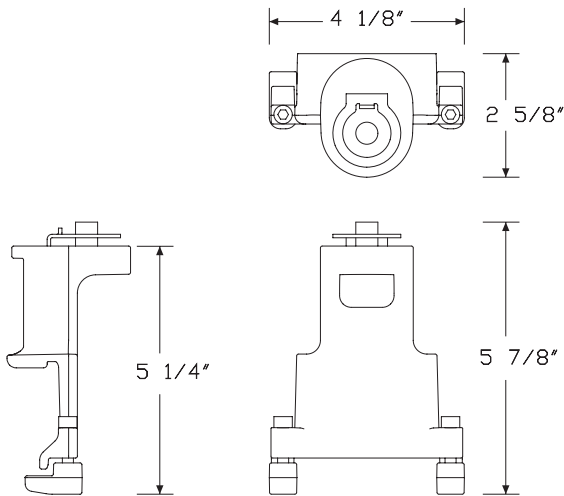
This clamp attaches a Flo® single screen monitor arm to a Layout Studio® performance rail. It is used with the Flo Layout Studio attachment pin, ordered separately. Clamp attachment hardware included.

### Notes

Order the following products separately:

- Flo Layout Studio attachment pin (Y92089.)
- Flo single screen monitor arm-arm only (Y92090.)

### Dimensions



## Specification Information

### Step 1.

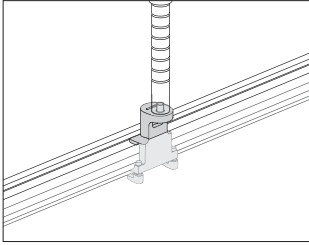
**Y92098.**  A \$48

### Step 2. Finish

**0I** silver  A +\$0

**0J** white  A +\$0

# Wishbone Post Performance Rail Y92099 Clamp



Thrive™ Technology Support

## Product Information

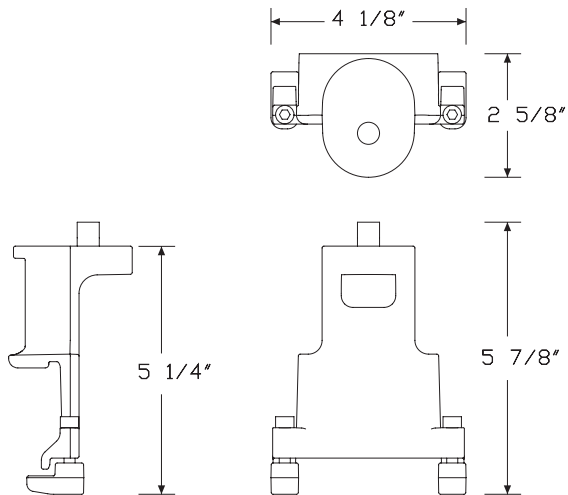
### Description

This clamp attaches to a Layout Studio® performance rail to support a Wishbone® monitor arm post.

### Notes

This product was designed by Colebrook Bosson Saunders Products Ltd.

## Dimensions



## Specification Information

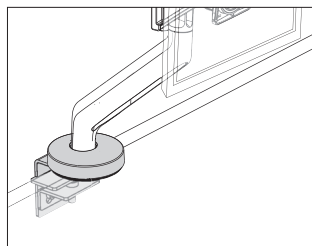
### Step 1.

**Y92099.** A \$98

### Step 2. Finish

**01** silver A +\$0

# Flo® X Two-Piece Clamp Mount - Y98005 Clamp only



## Product Information

### Description

This clamp attaches a Flo® X Monitor Arm to a work surface. Configurable rotation stop system offers 180° or 360° rotation of arm. Attachment hardware included.

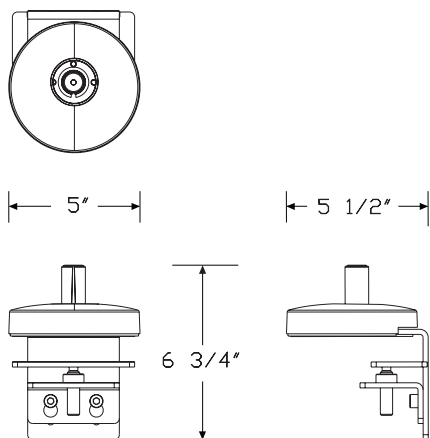
### Notes

Suitable for work surface thicknesses of 3/8" to 1 3/4" (9 mm to 45 mm).

Load support range up to 40 lbs. (18 kg).

Order Flo X monitor arm-arm only (Y98000.) or Flo X multi mount monitor arm-arm only (Y98001.) separately.

## Dimensions



## Specification Information

### Step 1.

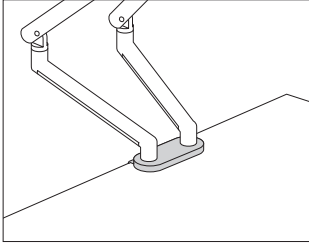
**Y98005.**  A \$103

### Step 2. Finish

**OI** silver  A +\$0

**OH** black  A +\$0

# Dual Flo® Surface Clamp Mount Y92100



Thrive™ Technology Support

## Product Information

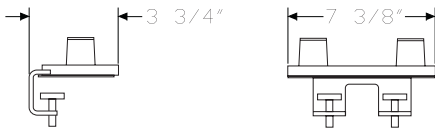
### Description

This clamp is used to attach 2 Flo single screen monitor arm - arm only (Y92090) to a work surface. The clamp is top mounted to speed installation. Attachment hardware is included.

### Notes

Order Flo single screen monitor arm - arm only (Y92090) separately.  
Clamp works on surfaces greater than 0" to less than 2 1/2" thick.

### Dimensions



## Specification Information

### Step 1.

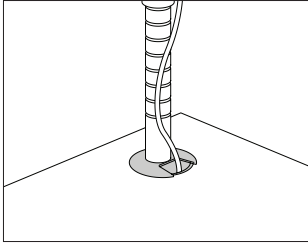
**Y92100.** A \$187

### Step 2. Finish

**01** silver +\$0

# Cast Grommet

Y92050



### Product Information

#### Description

This grommet allows through-surface attachment of a Wishbone® post or Flo® monitor arm on a surface up to 1½" thick. It has a cutout to allow cords to route through the surface. Attachment hardware included.

#### Notes

Field-drilling of surface may be required.

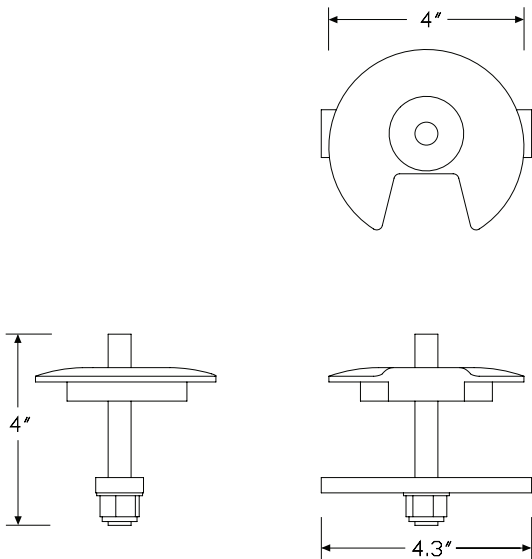
To accommodate a different surface thickness, specify the following products separately to attach post:

- Through-surface mounting bracket, 1¾" (Y92054.) or through-surface mounting bracket, 3" (Y92055.)

For use with Flo monitor arm, order Flo through mount (Y92094.) separately.

This product was designed by Colebrook Bosson Saunders Products Ltd.

### Dimensions



### Specification Information

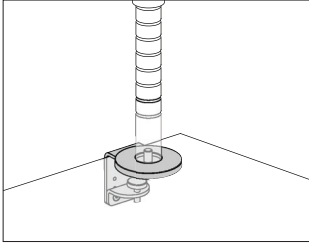
#### Step 1.

**Y92050.** A \$134

#### Step 2. Finish

**01** silver A +\$0

Wishbone® Post Top-Mounting Surface Clamp Y92052



Thrive™ Technology Support

**Product Information**

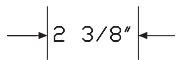
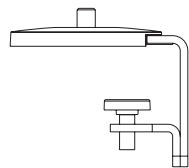
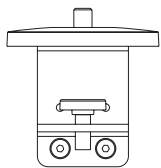
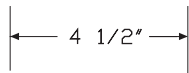
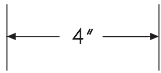
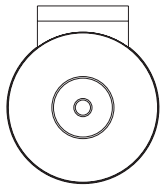
**Description**

This clamp attaches to a surface that is 1/2" - 2 5/8" thick to support a wishbone monitor arm post.

**Notes**

This product was designed by Colebrook Bosson Saunders Products Ltd.

**Dimensions**



**Specification Information**

**Step 1.**

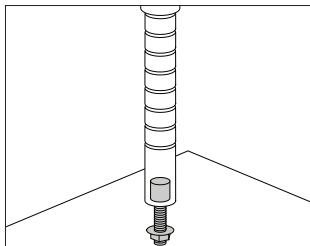
**Y92052.** \$87

**Step 2. Finish**

**01** silver +\$0

# Through-Surface Mounting Bracket, 1 3/8"

Y92054



## Product Information

### Description

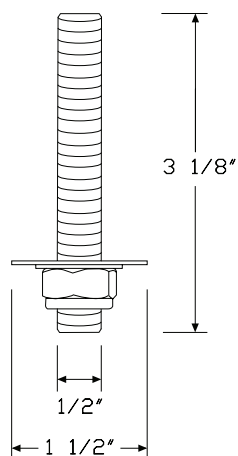
This bracket attaches through a surface up to 1 3/8" thick to support a wishbone or quad monitor arm post. Attachment bolt, washer, nut and nylon washer for top of surface are included.

### Notes

Specify optional spreader plate (Y92056.) separately.

This product was designed by Colebrook Bosson Saunders Products Ltd.

## Dimensions



## Specification Information

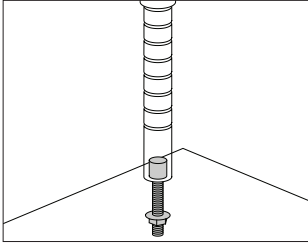
### Step 1.

Y92054. A

\$30

# Through-Surface Mounting Bracket, 3"

Y92055



Thrive™ Technology Support

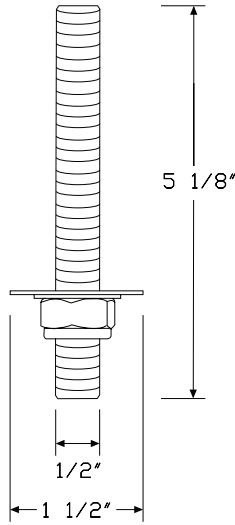
## Product Information

**Description**  
This bracket attaches through a surface up to 3" thick to support a wishbone or quad monitor arm post. Attachment bolt, washer, nut and nylon washer for top of surface are included.

## Notes

Specify optional spreader plate (Y92056.) separately.  
This product was designed by Colebrook Bosson Saunders Products Ltd.

## Dimensions



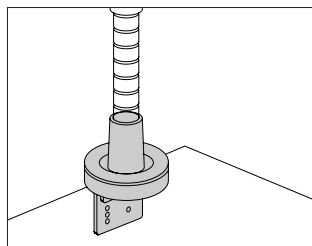
## Specification Information

Step 1.  
**Y92055.** A \$37



# Wishbone® Post High Load Top-Surface Mounting Clamp

Y92071



## Product Information

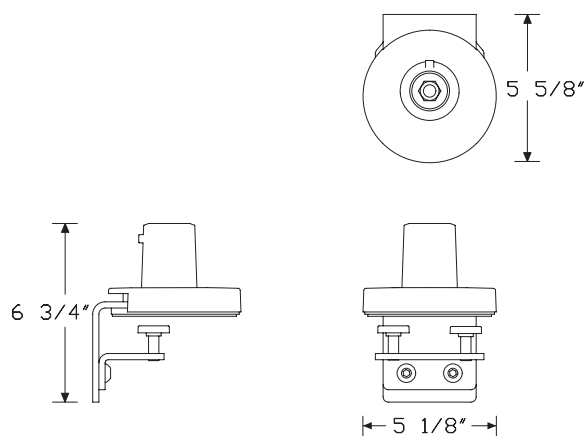
### Description

This clamp attaches to a surface that is 1/2" to 2 5/8" thick to support a Wishbone® monitor arm post.

### Notes

Clamp is used for all quad-screen assemblies (Y91015, Y91025).  
This product was designed by Colebrook Bosson Saunders Products Ltd.

## Dimensions



## Specification Information

### Step 1.

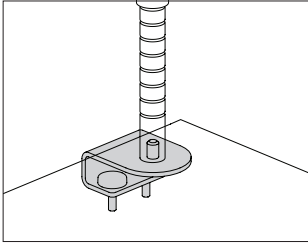
**Y92071.** A \$133

### Step 2. Finish

**01** silver A +\$0

# Low-Profile Clamp

Y92079



Thrive™ Technology Support

## Product Information

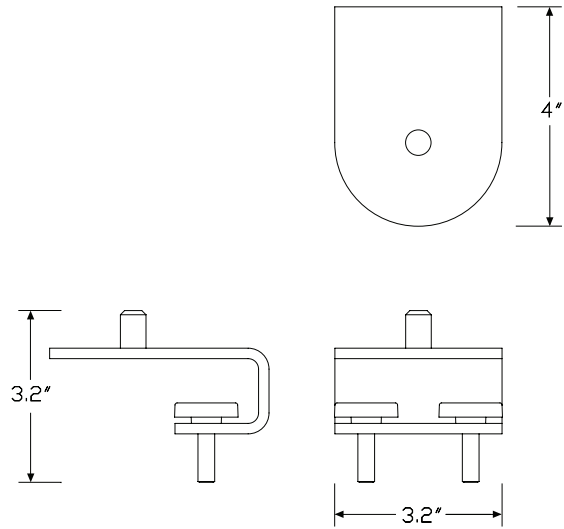
### Description

This clamp attaches to a surface to support a wishbone monitor arm post.

### Notes

Low-profile clamp works with Envelop® desk (Y7750.)  
This product was designed by Colebrook Bosson Saunders Products Ltd.

## Dimensions



## Specification Information

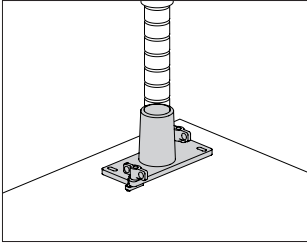
### Step 1.

**Y92079.** A \$87

### Step 2. Finish

**01** silver A +\$0

# Beam-Mount Bracket, Wishbone Y92057 Post



## Product Information

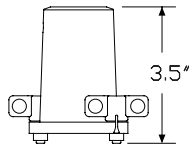
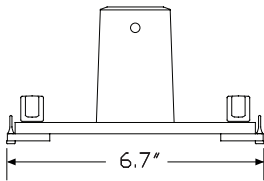
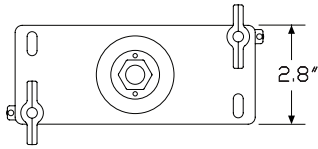
### Description

This bracket allows a Wishbone® post to attach to a horizontal beam found in many commercial traders desks and benching applications. Mounting hardware included.

### Notes

This product was designed by Colebrook Bosson Saunders Products Ltd.

### Dimensions



## Specification Information

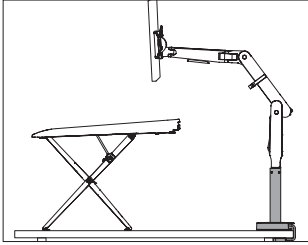
### Step 1.

**Y92057.** A \$111

### Step 2. Finish

**01** silver A +\$0

# Ollin/Flo® Low Profile Clamp - Y93002 Extended Height



Thrive™ Technology Support

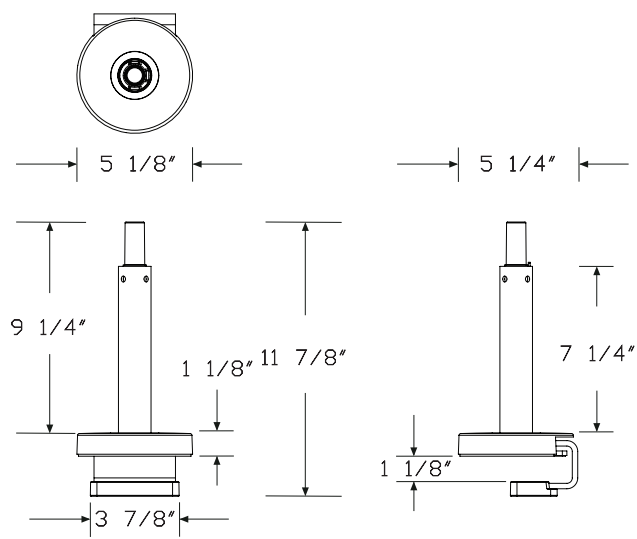
## Product Information

**Description**  
This extended height low profile clamp attaches a Flo® single screen monitor arm-arm only or an Ollin single screen monitor arm-arm only 8<sup>3</sup>/<sub>8</sub>" above a work surface. It is for use with the Monto Sit Stand Riser or with other desktop retrofittable sit stand solutions. Clamp is top mounted to speed installation. Attachment hardware included.

## Notes

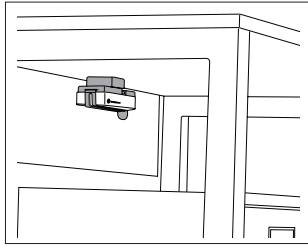
Compatible with Ollin single screen and Flo single screen monitor arms.  
For monitor arm attachment at the worksurface, order Flo low profile clamp (Y92106.) separately.  
Clamp works on surfaces greater than 3/4" to less than 1 1/4" thick.  
Order the following products separately:  
• Ollin single screen monitor arm-arm only (Y95000.)  
• Flo single screen monitor arm-arm only (Y92090.)  
• Monto Sit Stand Riser (Y93000.)

## Dimensions



## Specification Information

<b>Step 1.</b>	
<b>Y93002.</b> [A]	\$185
<b>Step 2. Finish</b>	
<b>01</b> silver [A]	+\$0



**Product Information**

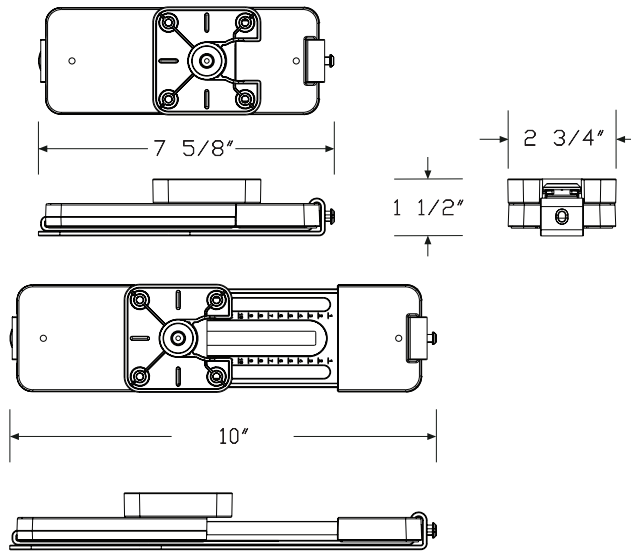
**Description**

This under-desk mount hangs below a surface to hold small-format devices. It has a rubber strap that adjusts from 6<sup>3</sup>/<sub>4</sub>" (170mm) to 9<sup>7</sup>/<sub>8</sub>" (250mm) to cradle docking stations, thin clients, Mac mini® computers or USB hubs up to 3.3 lbs. (1.5 kg), securing them safely in place and off the floor. Attachment hardware included.

**Notes**

Loop Micro supports a maximum of 3.3 lbs. (1.5 kg).  
 Recommended device width ranges from 6<sup>3</sup>/<sub>4</sub>" (170mm) to 9<sup>7</sup>/<sub>8</sub>" (250mm).

**Dimensions**



**Specification Information**

**Step 1.**

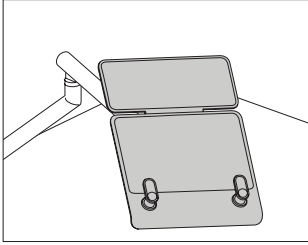
**Y92111.** [A] \$117

**Step 2. Finish**

**OH** black [A] +\$0

# Laptop Mount

Y91177



Thrive™ Technology Support

## Product Information

### Description

This laptop mount lifts notebook computers off the work surface and includes an integral handle and an auxiliary surface to support a docking station. The laptop mount attaches to a monitor arm with a 100mm VESA (Video Electronic Standards Association-Mounting Interface Standards) pattern and can support laptops up to 1 1/2" thick. It can be used in both single- and dual-screen applications. Laptops are held securely to the mounting surface by two adjustable ratcheting feet.

### Notes

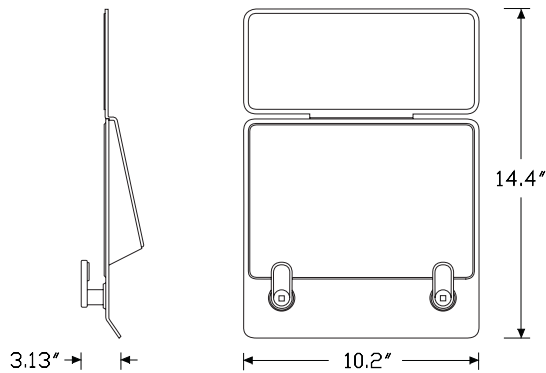
Maximum weight determined by the attached monitor arm.

Requires 100mm VESA plate (not included).

Supports laptops of varying widths, up to 11" deep and 1 1/2" thick.

Supports docking stations up to 11" wide and 5" deep.

### Dimensions



## Specification Information

### Step 1.

**Y91177.**

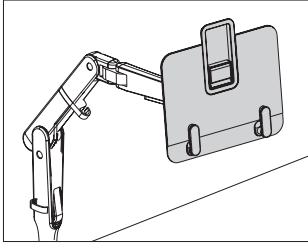
\$164

### Step 2. Finish

**01** silver

+\$0

# Ollin Laptop and Tablet Mount Y95011



## Product Information

### Description

This laptop and tablet mount lifts notebook computers and tablets off the work surface at an appropriate work height. It attaches to an Ollin® or Flo® monitor arm with a 100mm VESA pattern. It supports laptops up to 16" screen size and up to 1" thick. It supports tablets from 9 3/4" to 13" screen size. It can be used in both single- and dual-screen applications. Laptops and tablets are held securely to the mount's anti-slide surface by 2 adjustable ratcheting feet. Retaining feature adds stability to position tablets.

### Notes

Mount accommodates device weights up to 6.2 lbs. (2.8 kg).

Mount supports laptops up to 16" screen size and up to 1" thick.

Thickness includes base and lid of laptop combined.

Mount supports tablets from 9 3/4" to 13" screen size.

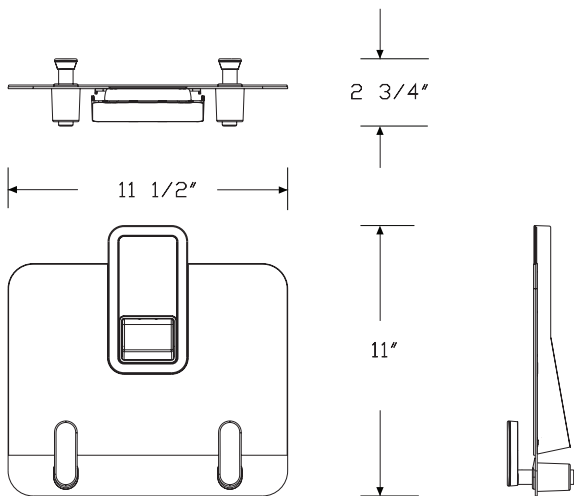
Requires 100mm VESA plate (provided with the monitor arm).

Order 1 of the following monitor arms separately:

- Ollin single-screen monitor arm support (Y95111.)
- Flo single-screen monitor arm support (Y91171.)

If used with Flo monitor arm and the laptop or tablet weighs less than 3.5 lbs. (1.6 kg), order Ollin laptop and tablet mount weight plate (Y95012.) separately for optimal performance of the arm.

## Dimensions



## Specification Information

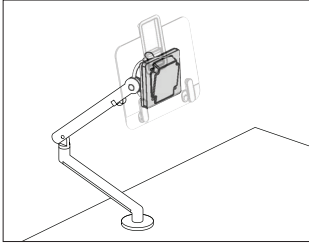
### Step 1.

**Y95011.**  A \$164

### Step 2. Finish

**OI** silver  A +\$0  
**OJ** white  A +\$0  
**OH** black  A +\$0

# Ollin Laptop and Tablet Mount Y95012 Weight Plate



Thrive™ Technology Support

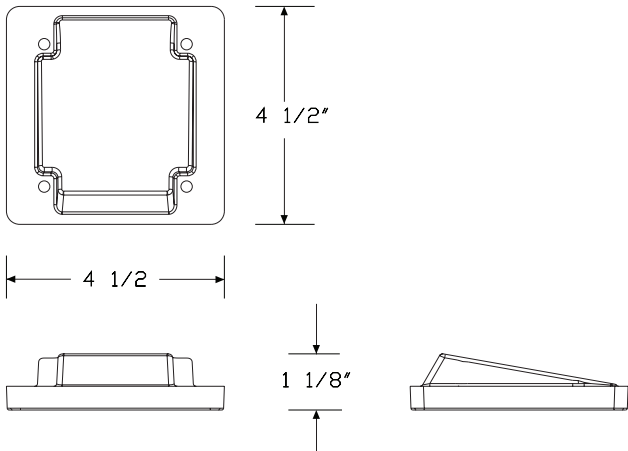
## Product Information

**Description**  
 This weight plate provides additional load to reach the minimum weight required by a Flo® monitor arm when installed with the Ollin® laptop and tablet mount and used with devices lighter than 3.5 lbs. (1.6 kg). Weight plate is installed between the VESA plate and the back of the mount.

## Notes

- Order the following products separately:
- Ollin laptop and tablet mount (Y95011.)
  - Flo single-screen monitor arm support (Y91171.)

## Dimensions



## Specification Information

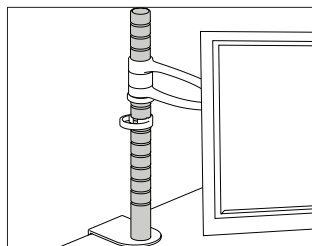
Step 1.

**Y95012.** A \$83

Step 2. Finish

**0H** black A +\$0



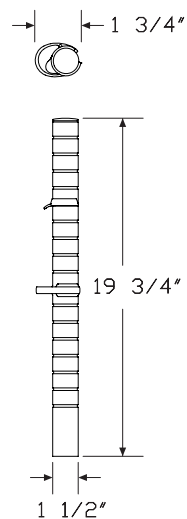


**Product Information**

**Description**  
 This post attaches to a surface to support monitor arms. 15 3/4"-high post and higher includes a monitor arm location ring and a cable management clip. Monitor arm and post attachment must be specified separately.

**Notes**  
 This product was designed by Colebrook Bosson Saunders Products Ltd.

**Dimensions**



**Specification Information**

**Step 1.**  
**Y92001.**

**Step 2. Size**

<b>04</b>	4" high
<b>07</b>	7 7/8" high
<b>15</b>	15 3/4" high
<b>19</b>	19 3/4" high

**Prices for Steps 1-2.**

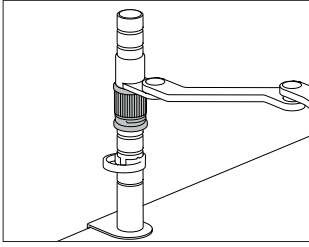
<b>Y92001. 04</b>	\$82
<b>07</b>	\$98
<b>15</b>	\$128
<b>19</b>	\$134

**Step 3. Finish**

<b>01</b>	silver	+\$0
-----------	--------	------

# Fine Height Adjuster

Y92024



Thrive™ Technology Support

## Product Information

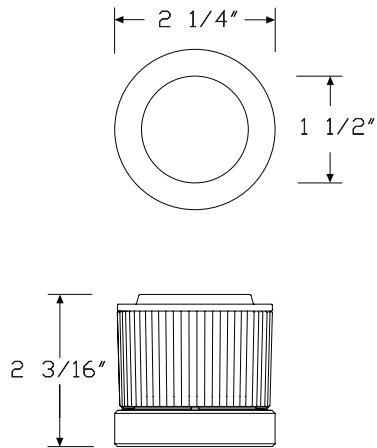
### Description

This adjuster mounts to a post and allows the height of a monitor arm to be adjusted in small increments to assist in alignment of adjacent monitors. Finish is black.

### Notes

This product was designed by Colebrook Bosson Saunders Products Ltd.

## Dimensions



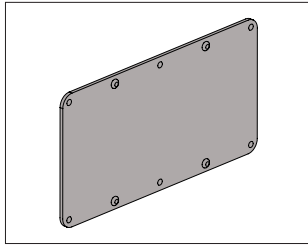
## Specification Information

### Step 1.

Y92024. A

\$24

Adapter Plate - 100 mm to 200 mm Y92082

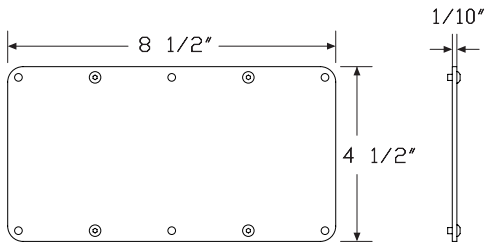


**Product Information**

**Description**

This adapter plate attaches to a monitor arm mounting plate with a 100mm x 100mm hole pattern to allow attachment of a flat panel monitor with a 100mm x 200mm hole pattern.

**Dimensions**



**Specification Information**

**Step 1.**

**Y92082.** [A] \$105

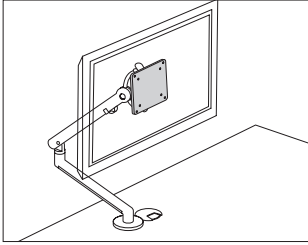
**Step 2. Finish**

**OH** black [A] +\$0

Thrive™ Technology Support

# Friction Plate

Y92085



Thrive™ Technology Support

## Product Information

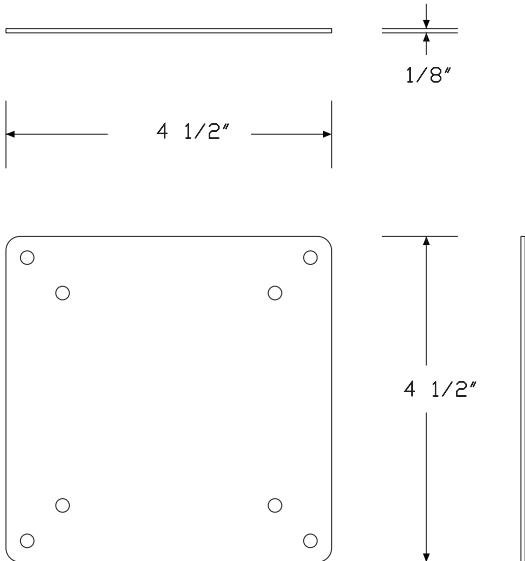
**Description**  
 This friction plate works with Flo® monitor arms to provide additional resistance when moving large format monitors side to side. It is installed between the VESA bracket and the VESA head mount on a Flo monitor arm.

## Notes

Recommended for use with large format (larger than 27") monitors.  
 Order the following products separately:

- Flo single-screen monitor arm support (Y91171.)
- Flo single-screen monitor arm - arm only (Y92090.)

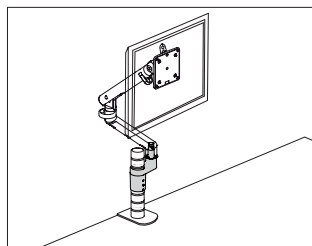
## Dimensions



## Specification Information

<b>Step 1.</b>	
<b>Y92085.</b> [A]	\$22
<b>Step 2. Finish</b>	
<b>0H</b> black [A]	+\$0

# Flo® Modular Bracket - Bracket Only Y92103



## Product Information

### Description

This bracket attaches a Flo® monitor arm to the Wishbone post.

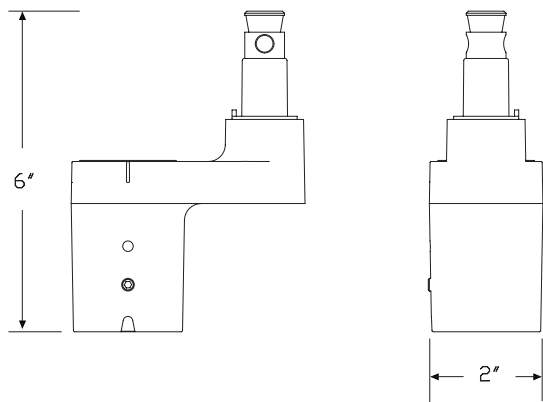
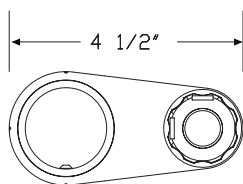
### Notes

This product is the bracket only.

Bracket includes a 180° stop to protect area behind work surface.

Each Flo arm used on a Wishbone post requires a bracket.

## Dimensions



## Specification Information

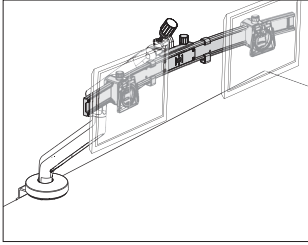
### Step 1.

**Y92103.** A \$80

### Step 2. Finish

**01** silver A +\$0

Flo® X Dual Mount Bar - Bar only Y98002



Thrive™ Technology Support

**Product Information**

**Description**

Flo® X Dual Mount Bar attaches to Flo X Multi Mount Monitor Arm for dual screen mounting. It offers side-to-side screen-position adjustment on bar with quick-release locking and individual fine adjustment.

Side-to-side swivel of individual screens permits “cockpit” or “flat” screen configurations and continuous curvature alignment of curved screens. Complete bar/monitor installation can be tilted via the screw-operated tilt feature of the Flo X multi mount monitor arm. VESA plates and fixing screws included.

**Notes**

75 mm and 100 mm VESA compliant.

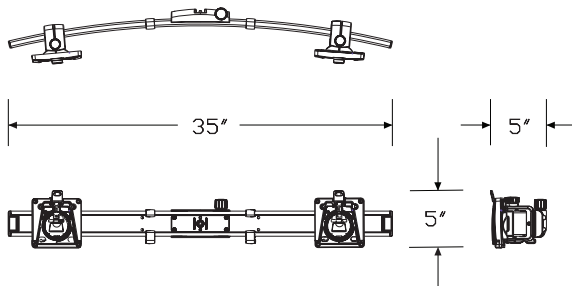
Bar holds 2 monitors up to 32” and weighing between 2-18 lbs. (1-8 kg) each.

Flo X dual mount bar will not mount to the Flo X monitor arm (Y98000.). It is compatible with Flo X multi mount monitor arm (Y98001.) only.

Order the following products separately:

- Flo X multi mount monitor arm (Y98001.)
- Flo X triple bar extension kit (Y98003.)
- Flo X two-piece clamp mount (Y98005.)

**Dimensions**



**Specification Information**

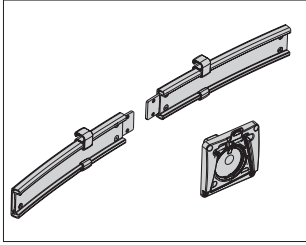
**Step 1.**

**Y98002.** [A] \$271

**Step 2. Finish**

**0H** black [A] +\$0

# Flo® X Triple Bar Extension Kit Y98003



## Product Information

### Description

This kit expands Flo® X Dual Mount Bar to triple-screen capability. VESA plates and fixing screws included.

### Notes

75 mm and 100 mm VESA compliant.

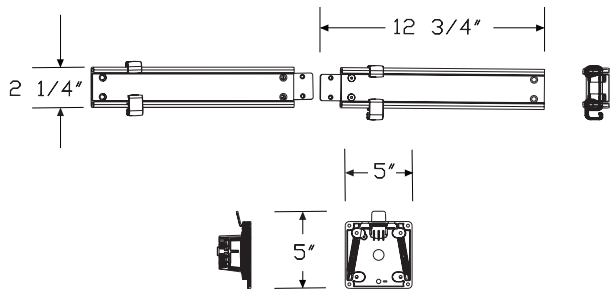
When attached to the dual mount bar, it supports 3 monitors up to 27" and weighing between 2-11 lbs. (1-5 kg) each.

Order the following products separately:

- Flo X multi mount monitor arm (Y98001.)
- Flo X dual mount bar (Y98002.)
- Flo X two-piece clamp mount (Y98005.)

Flo X multi mount handle (Y98004.) is optional but highly recommended. Order separately.

## Dimensions



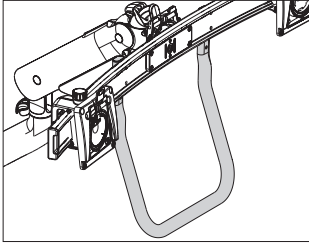
## Specification Information

### Step 1.

**Y98003.** A \$174

### Step 2. Finish

**OH** black A +\$0



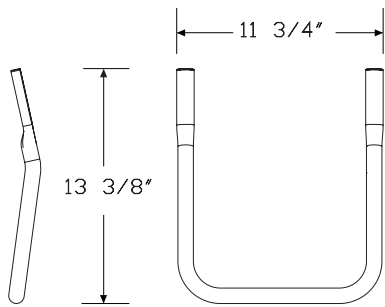
Thrive™ Technology Support

**Product Information**

**Description**

This handle is recommended for use on Flo® X dual and triple configurations to facilitate easy movement of monitors. It attaches directly to Flo X dual mount bar and offers 2 mount height options. Wide format for easy 2-handed grip. Handle attachment hardware included.

**Dimensions**



**Specification Information**

**Step 1.**

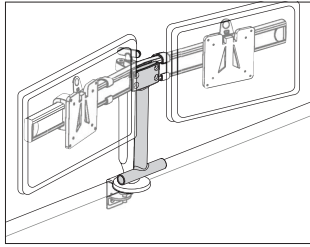
**Y98004.** A \$111

**Step 2. Finish**

**OH** black A +\$0



# Ollin® Dual Bar Handle - Handle Only Y95123



## Product Information

### Description

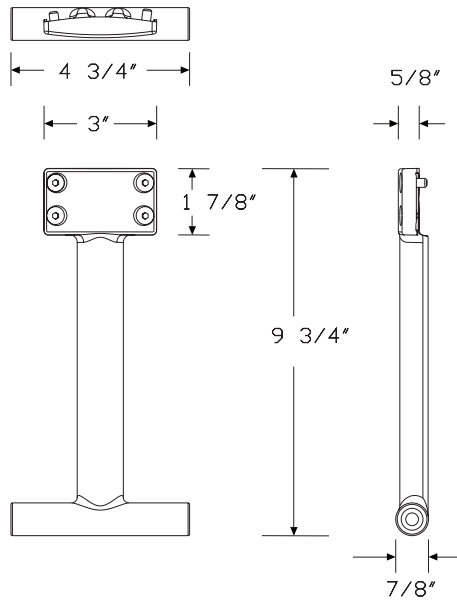
This handle attaches to the Ollin Dual Bar. It allows both monitors to move in tandem.

### Notes

Order the following products separately:

- Ollin dual bar (Y95122.)
- Ollin single-screen monitor arm support with desired attachment (Y95111.1xxx)
- Ollin single screen monitor arm-arm only (Y95000.)

## Dimensions



## Specification Information

Step 1.

**Y95123.** A

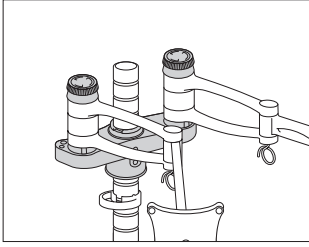
Step 2. Finish

**OH** black A

Prices for Steps 1-2.

**Y95123. OH** \$42

Enhanced Back-To-Back Post Bracket Y92009



Thrive™ Technology Support

**Product Information**

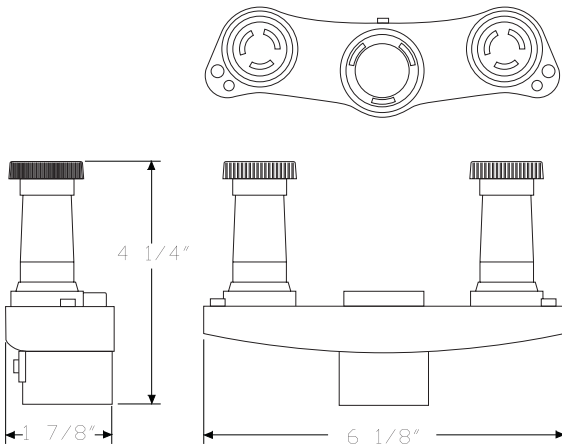
**Description**

This bracket mounts to a wishbone post to support 2 wishbone or wishbone plus monitor arms. It is used to create a new dual or quad monitor arm assembly, convert a single assembly into a dual monitor, or is added to an existing dual assembly to create a quad assembly.

**Notes**

To support 3 screens, specify the wishbone c-post bracket (Y92026.) separately.  
 Maximum monitor width in triple screen configuration is 19".

**Dimensions**



**Specification Information**

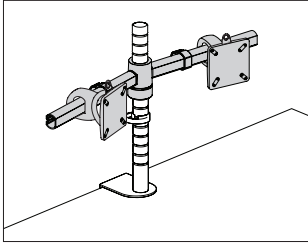
**Step 1.**

**Y92009.** \$137

**Step 2. Finish**

**01** silver +\$0

Wishbone Dual Bar - Bar Only Y92104



**Product Information**

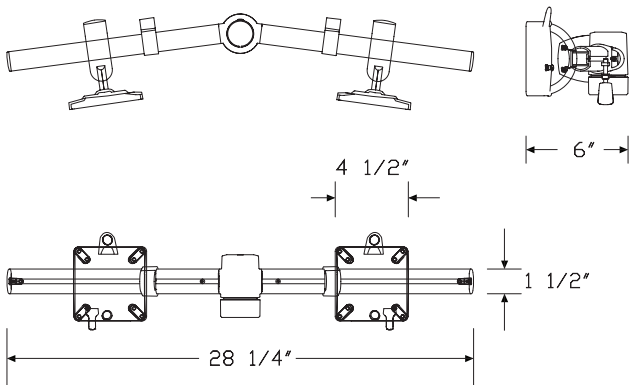
**Description**

This dual bar attaches to the Wishbone post to allow 2 monitors to be set at the appropriate ergonomic height. It is a great solution for high density applications getting the monitors aligned at the back of the work surface. It comes with the VESA brackets set up in a cockpit orientation.

**Notes**

This product number is for the dual bar only.  
 Product accepts 2 monitors up to 24" each on the crossbar.  
 Product supports monitors up to 26 pounds each.

**Dimensions**



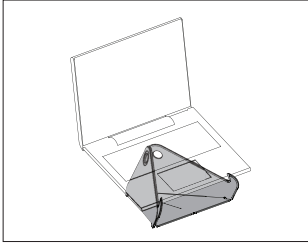
**Specification Information**

**Step 1.**

**Y92104.** [A] \$517

**Step 2. Finish**

**01** silver [A] +\$0



Thrive™ Technology Support

**Product Information**

**Description**

This portable, folding laptop stand facilitates ergonomic use of notebook computers in agile working spaces. It elevates the laptop off the work surface, ideal for creating an ergonomic workstation while in the office, working from home or on the go. It supports laptops from 11" to 16" screen size.

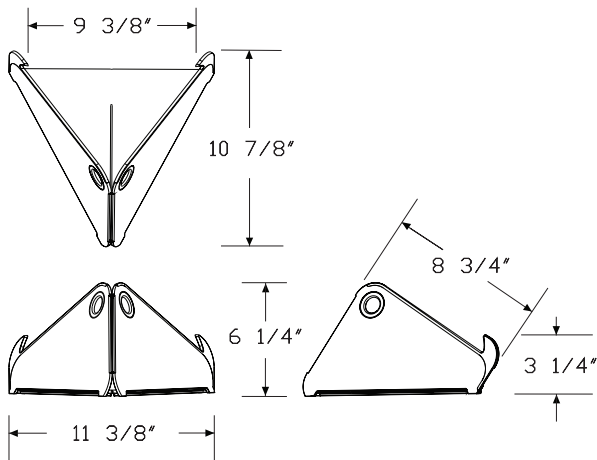
**Notes**

Accommodates laptop weights from 2.2 lbs. (1.0 kg) to 6.2 lbs. (2.8 kg).

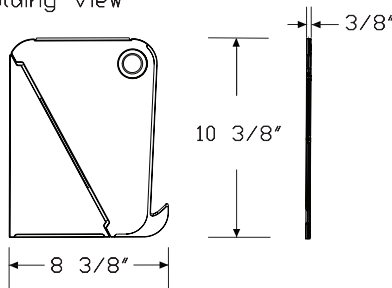
Supports laptops from 11" to 16" screen size.

Stand requires the use of an external keyboard and mouse.

**Dimensions**



**Folding View**



**Specification Information**

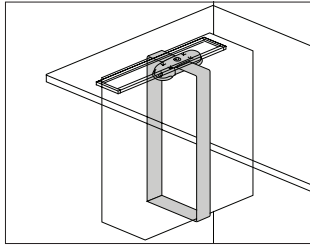
**Step 1.**

**Y92075.** [A] \$54

**Step 2. Finish**

**OJ** white [A] +\$0  
**OMT** mint green [A] +\$0  
**OYW** yellow [A] +\$0

# LOOP™ Adjustable CPU Holder Assembly Y91104



## Product Information

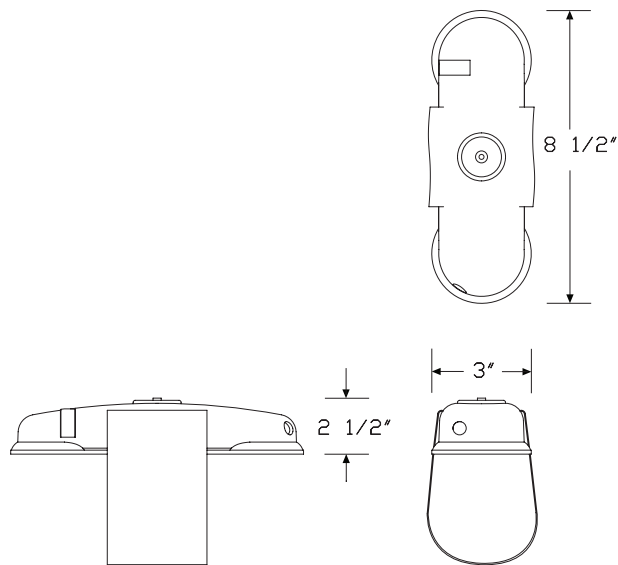
### Description

This CPU holder hangs below a surface to hold a CPU in a vertical position and includes a 5" or 13<sup>3</sup>/<sub>4</sub>" track. Height adjusts from 9<sup>1</sup>/<sub>2</sub>" to 19<sup>3</sup>/<sub>4</sub>" high. Width adjusts from 3.1" to 9" wide.

### Notes

CPU holder supports a maximum of 44 lbs.  
 This product was designed by Colebrook Bosson Saunders Products Ltd.

### Dimensions



## Specification Information

### Step 1.

**Y91104.**

### Step 2. Length

- 05** 5" long
- 13** 13<sup>3</sup>/<sub>4</sub>" long

### Prices for Steps 1-2.

<b>Y91104. 05</b>	\$274
<b>13</b>	\$280

### Step 3. Finish

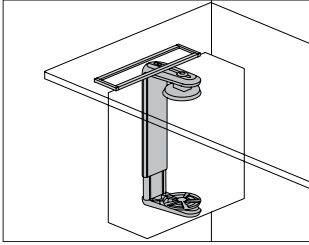
#### For 5" long (05)

<b>0I</b> silver	+\$0
------------------	------

#### For 13<sup>3</sup>/<sub>4</sub>" long (13)

<b>0H</b> black	+\$0
-----------------	------

JAW™ Adjustable CPU Holder Assembly Y91103



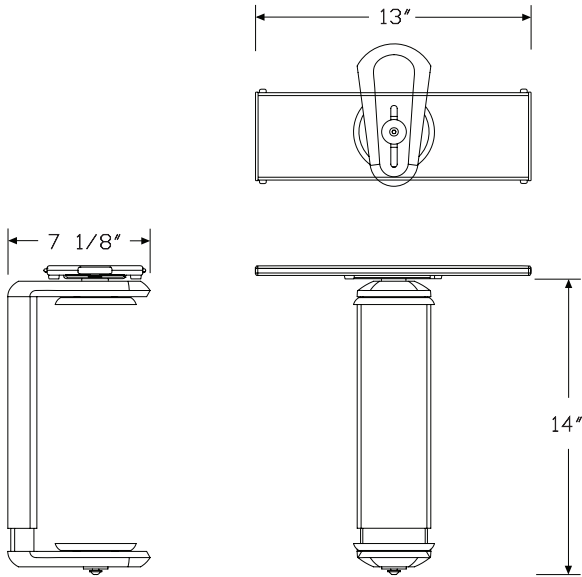
Thrive™ Technology Support

**Product Information**

**Description**  
 This CPU holder hangs below a surface to hold a CPU in a vertical position and includes a 5" or 13<sup>3</sup>/<sub>4</sub>" track. Height adjusts from 11<sup>1</sup>/<sub>2</sub>" to 20" high. Width adjusts from 3<sup>1</sup>/<sub>2</sub>" to 9<sup>1</sup>/<sub>2</sub>" wide.

**Notes**  
 CPU holder supports a maximum of 55 lbs.  
 This product was designed by Colebrook Bosson Saunders Products Ltd.

**Dimensions**



**Specification Information**

**Step 1.**

**Y91103.**

**Step 2. Length**

- 05** 5" long  A
- 13** 13<sup>3</sup>/<sub>4</sub>" long

**Prices for Steps 1-2.**

<b>Y91103. 05</b>	\$354
<b>13</b>	\$360

**Step 3. Finish**

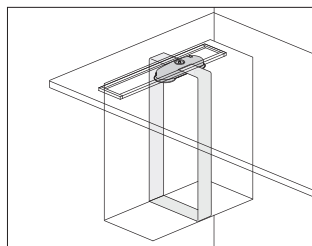
*For 5" long (05)*

- 0I** silver +\$0

*For 13<sup>3</sup>/<sub>4</sub>" long (13)*

- 0H** black +\$0

LOOP™ Adjustable CPU Holder Y92041



**Product Information**

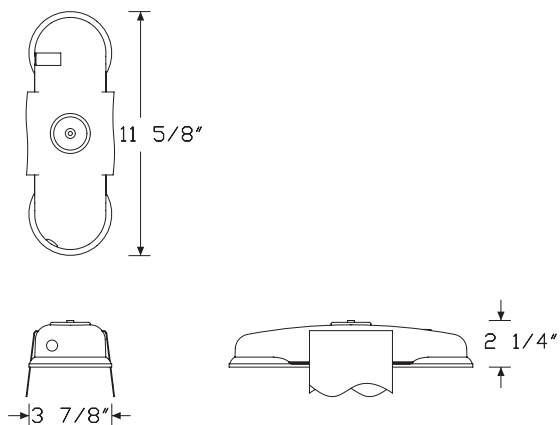
**Description**

This CPU holder hangs below a surface to hold a CPU in a vertical position. The height can be adjusted from 11" to 19<sup>3</sup>/<sub>4</sub>" high. The width can be adjusted from 3<sup>1</sup>/<sub>2</sub>" to 9" wide.

**Notes**

Specify CPU holder slide and rotate kit (Y92038.) separately.  
 CPU holder supports a maximum of 44 lbs.  
 This product was designed by Colebrook Bosson Saunders Products Ltd.

**Dimensions**



**Specification Information**

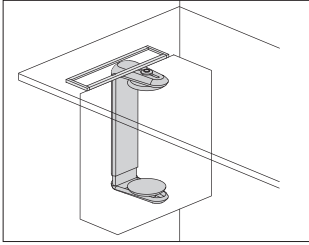
**Step 1.**

**Y92041.** \$215

**Step 2. Finish**

**OH** black +\$0

JAW™ Adjustable CPU Holder Y92040



Thrive™ Technology Support

**Product Information**

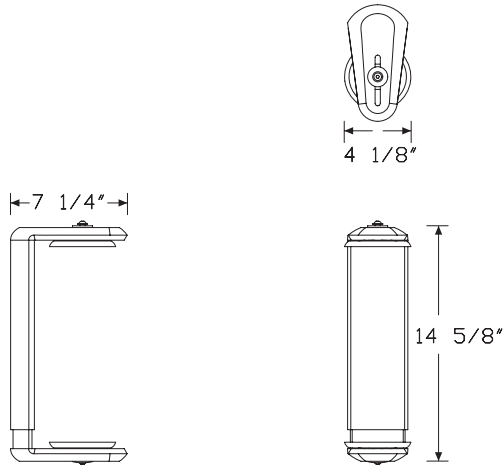
**Description**

This CPU holder hangs below a surface to hold a CPU in a vertical position. The height can be adjusted from 11½" to 20" tall. The width can be adjusted from 3½" to 9½" wide.

**Notes**

Specify CPU holder slide and rotate kit (Y92038.) separately.  
 CPU holder supports a maximum of 55 lbs.  
 This product was designed by Colebrook Bosson Saunders Products Ltd.

**Dimensions**



**Specification Information**

**Step 1.**

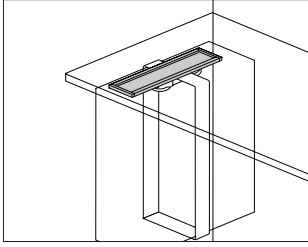
**Y92040.** [A] \$295

**Step 2. Finish**

**01** silver [A] +\$0



# Universal CPU Holder Slide & Rotate Kit Y92038



## Product Information

### Description

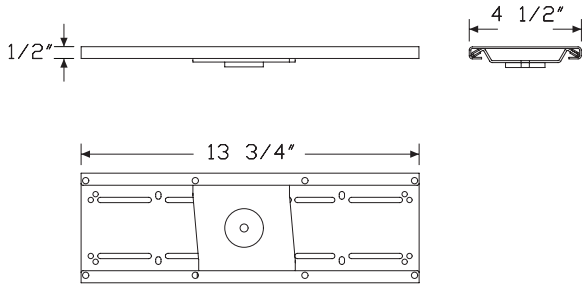
This kit attaches to a surface to support a CPU holder. It includes a track that allows the CPU holder to slide out and rotate for easy access. Attachment hardware included.

### Notes

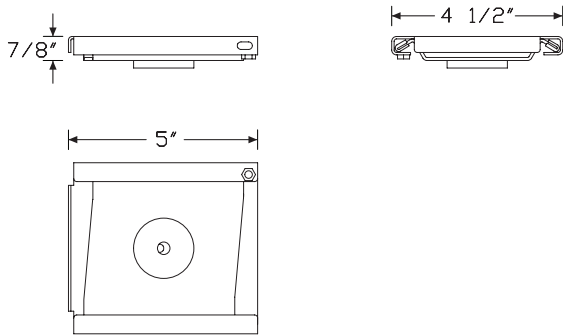
Slide & rotate kit is compatible with Colebrook Bosson Saunders CPU holders.

This product was designed by Colebrook Bosson Saunders Products Ltd.

### Dimensions



Universal slide & rotate



Universal Mounting rotating bracket

## Specification Information

### Step 1.

**Y92038.**

### Step 2. Length

**05** 5" long A

**13** 13<sup>3</sup>/<sub>4</sub>" long

### Prices for Steps 1-2.

<b>Y92038. 05</b>	\$59
<b>13</b>	\$65

### Step 3. Finish

#### For 5" long (05)

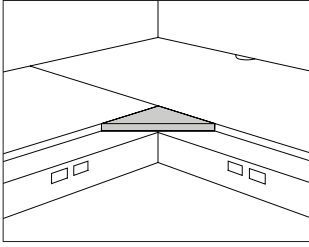
**0I** silver A +\$0

#### For 13<sup>3</sup>/<sub>4</sub>" long (13)

**0H** black +\$0

# Squared-Edge Corner Wedge

Y2091.



Thrive™ Technology Support

## Product Information

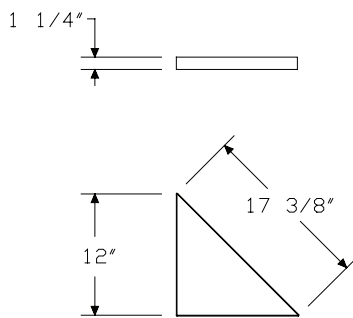
### Description

This wedge attaches to 2 work surfaces at a 90° angle to provide a corner work surface. It can be used with Action Office®, Canvas, and Ethospace® surfaces. The wedge has a laminate top and thermoplastic edge, laminate top with a thermoplastic backed plywood edge, or a veneer top and edge. Attachment hardware is included.

### Notes

Corner wedge can support a keyboard tray attached to the underside of the work surfaces in 90° corner applications.

### Dimensions



## Specification Information

### Step 1.

**Y2091.**

### Step 2. Surface Material

<b>L</b>	high-pressure laminate top/thermoplastic edge
<b>U</b>	high-pressure laminate/universal edge
<b>W</b>	veneer <span style="border: 1px solid black; padding: 0 2px;">A</span>

### Prices for Steps 1-2.

<b>Y2091. L</b>	\$174
<b>U</b>	\$166
<b>W</b>	\$248

### Step 3.

### Top Finish

*For high-pressure laminate top/thermoplastic edge (L) or high-pressure laminate/universal edge (U)*

<b>76</b>	light brown walnut	+\$0
<b>8Q</b>	folkstone grey	+\$0
<b>91</b>	white	+\$0
<b>98</b>	studio white	+\$0
<b>CL</b>	cool grey neutral	+\$0
<b>HF</b>	inner tone light	+\$0
<b>HM</b>	natural maple	+\$0
<b>HP</b>	light anigre	+\$0
<b>HX</b>	aged cherry	+\$0
<b>LBA</b>	clear on ash	+\$0
<b>LBR</b>	phantom ecru	+\$0
<b>LBS</b>	phantom cocoa	+\$0
<b>LBU</b>	medium matte walnut	+\$0
<b>LBV</b>	warm grey teak	+\$0
<b>LBB</b>	oak on ash	+\$0
<b>LBC</b>	walnut on ash	+\$0
<b>LBF</b>	neutral twill	+\$0
<b>LBJ</b>	graphite twill	+\$0
<b>LBQ</b>	white twill	+\$0
<b>LT</b>	light tone	+\$0
<b>LU</b>	soft white	+\$0
<b>WL</b>	sandstone	+\$0
<b>WN</b>	warm grey neutral	+\$0

# Squared-Edge Corner Wedge

continued

---

## Top/Edge Finish: Wood Veneer

### For veneer (W)

<b>CHD</b>	noble cherry <input type="checkbox"/> A	+\$39
<b>2U</b>	light brown walnut <input type="checkbox"/> A	+\$39
<b>40</b>	dark brown walnut <input type="checkbox"/> A	+\$39
<b>EW</b>	medium matte walnut <input type="checkbox"/> A	+\$39
<b>ET</b>	clear on ash <input type="checkbox"/> A	+\$39
<b>EU</b>	oak on ash <input type="checkbox"/> A	+\$39
<b>EV</b>	walnut on ash <input type="checkbox"/> A	+\$39
<b>UL</b>	natural maple <input type="checkbox"/> A	+\$39

---

## Step 4. Edge Finish

### For high-pressure laminate top/thermoplastic edge (L)

<b>76</b>	light brown walnut	+\$0
<b>8Q</b>	folkstone grey	+\$0
<b>91</b>	white	+\$0
<b>98</b>	studio white	+\$0
<b>BU</b>	black umber	+\$0
<b>CL</b>	cool grey neutral	+\$0
<b>HF</b>	inner tone light	+\$0
<b>HM</b>	natural maple	+\$0
<b>HP</b>	light anigre	+\$0
<b>HX</b>	aged cherry	+\$0
<b>LBA</b>	clear on ash	+\$0
<b>LBR</b>	phantom ecru	+\$0
<b>LBS</b>	phantom cocoa	+\$0
<b>LBU</b>	medium matte walnut	+\$0
<b>LBV</b>	warm grey teak	+\$0
<b>LBB</b>	oak on ash	+\$0
<b>LBC</b>	walnut on ash	+\$0
<b>LBF</b>	neutral twill	+\$0
<b>LBJ</b>	graphite twill	+\$0
<b>LBQ</b>	white twill	+\$0
<b>LU</b>	soft white	+\$0
<b>WL</b>	sandstone	+\$0
<b>WN</b>	warm grey neutral	+\$0

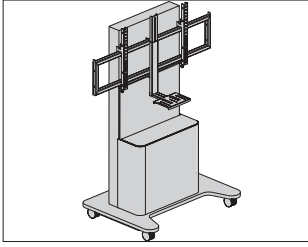
---

### For high-pressure laminate/universal edge (U)

<b>PLY</b>	plywood edge	+\$50
------------	--------------	-------

# AV/VC One Technology Support Kit Y96111

Thrive™ Technology Support



## Product Information

**Description**  
 The AV/VC One technology support kit provides all the equipment to support A/V and video conferencing needs for single or dual screens. It features lockable casters to facilitate easy movement from one location to another. Kit includes a universal camera mount that can be mounted above or below the screen(s), a universal codec mount supporting video conferencing from most manufacturers, and 1 or 2 screen mounting brackets. Ships knocked down.

## Notes

Maximum load capacity for single screen kit is 132 pounds. Maximum load capacity for dual screen kit is 264 pounds.

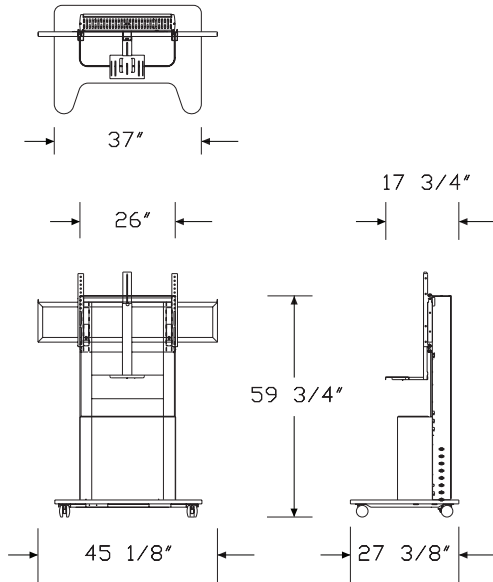
Single screen kit supports screen formats from 55" to 80".

Dual screen kit supports screen formats from 55" to 65".

Order the AV/VC One shelf (Y96005.) separately.

This product was designed by Colebrook Bosson Saunders Products Ltd.

## Dimensions



## Specification Information

### Step 1.

**Y96111.** A

### Step 2. Screen Integration

- 1** one screen set-up A
- 2** two screen set-up A

### Step 3. Front Type

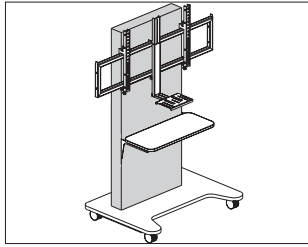
- A** full front panel A
- B** front technology box and panel A

### Prices for Steps 1-3.

	A	B
<b>Y96111. 1</b>	\$4518	5094
<b>2</b>	\$5074	5650

### Step 4. Finish

**0H** black A +\$0



**Product Information**

**Description**

This kit is the vertical column used to support screens. It features a lockable back panel for security and easy access, and includes 1 camera and codec mount. It has a ventilated back and top to allow for airflow within the unit. The column offers easy hook-on features to permit quick and easy mounting of core parts and accessories. Column supports up to 132 pounds when mounting a single screen, and up to 264 pounds for a dual screen configuration.

**Notes**

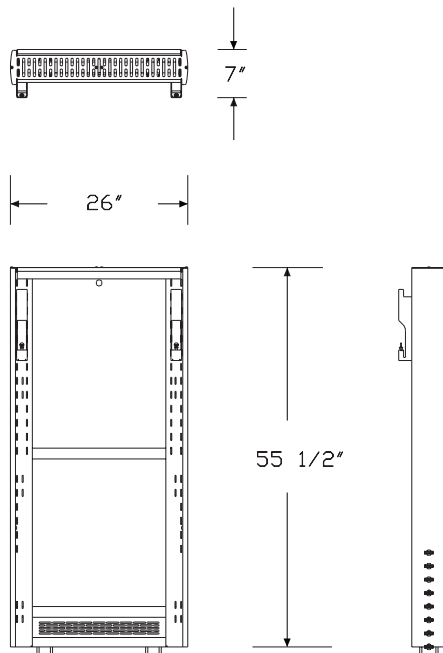
Order the following products separately, as needed:

- AV/VC One front box kit (Y96003.) or full front panel (Y96004.)
- AV/VC One base (Y96001.)
- AV/VC One screen mount kit (Y96002.)
- AV/VC One shelf (Y96005.)

This column is used in the AV/VC One technology support kit (Y96111.).

This product was designed by Colebrook Bosson Saunders Products Ltd.

**Dimensions**



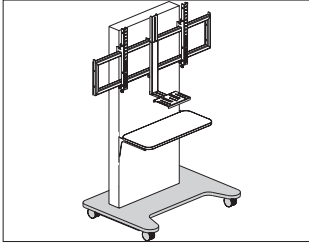
**Specification Information**

**Step 1.**

**Y96000.** [A] \$2677

**Step 2. Finish**

**OH** black [A] +\$0



**Product Information**

**Description**

The AV/VC One base features lockable casters and a cutout in front to allow users to interact with the screen. The AV/VC One column kit and column kit in the AV/VC One technology support kit attach to the base to support the screens.

**Notes**

Order the following products separately, as needed:

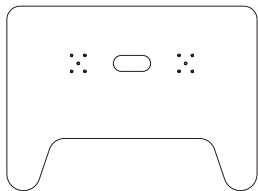
- AV/VC One column kit (Y96000.)
- AV/VC One technology support kit (Y96111.)

Base includes cable management hole.

This column is used in the AV/VC One technology support kit (Y96111.).

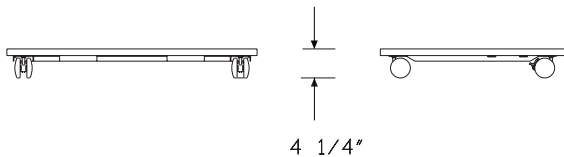
This product was designed by Colebrook Bosson Saunders Products Ltd.

**Dimensions**



37"

27 3/8"



4 1/4"

**Specification Information**

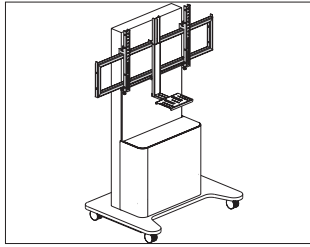
**Step 1.**

**Y96001.** [A] \$965

**Step 2. Finish**

**0H** black [A] +\$0

AV/VC One Screen Mount Kit Y96002



**Product Information**

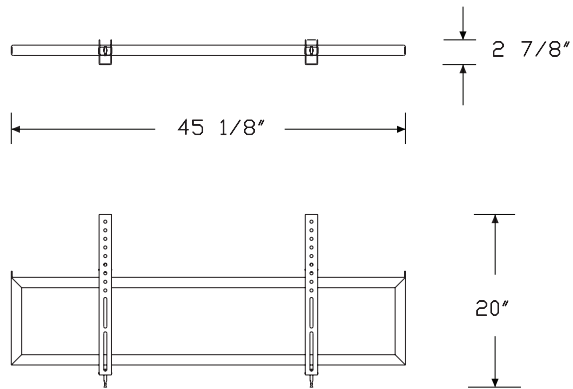
**Description**

The AV/VC One screen mount kit provides the bracket to mount a screen to the AV/VC One column kit and column kit in the AV/VC One technology support kit.

**Notes**

- Kit supports single screen formats from 55" to 80".
- Kit supports dual screen formats from 55" to 75". Requires 2 screen mount kits.
- Fine height adjustment for perfect dual screen alignment.
- Screen mounts lock into position for safety.
- This column is used in the AV/VC One technology support kit (Y96111.), ordered separately.
- This product was designed by Colebrook Bosson Saunders Products Ltd.

**Dimensions**



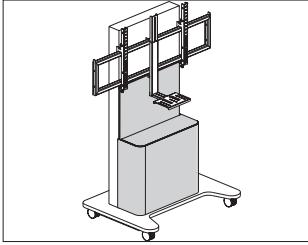
**Specification Information**

**Step 1.**

**Y96002.** [A] \$556

**Step 2. Finish**

**OH** black [A] +\$0



Thrive™ Technology Support

**Product Information**

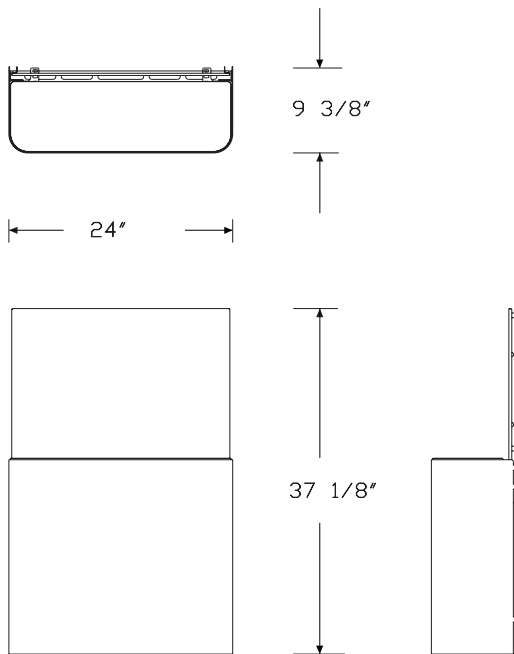
**Description**

The AV/VC One front box kit provides a place to store rack-mounted equipment. It mounts to the AV/VC One column kit and column kit in the AV/VC One technology support kit. Front box kit supports 44 pounds and features easy hook-on mounting.

**Notes**

- Box houses 19" rack mount media equipment with 5U capacity.
- Box permits top mount access to install and access rack equipment.
- Box has perforated floor to allow adequate ventilation through the box.
- Removable lid includes optional security fixings.
- Front panel included.
- This front box kit or the full front panel (Y96004.) is used in the AV/VC One technology support kit (Y96111.), ordered separately.
- This product was designed by Colebrook Bosson Saunders Products Ltd.

**Dimensions**



**Specification Information**

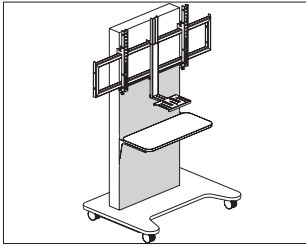
**Step 1.**

**Y96003.** [A] \$896

**Step 2. Finish**

**0H** black [A] +\$0





**Product Information**

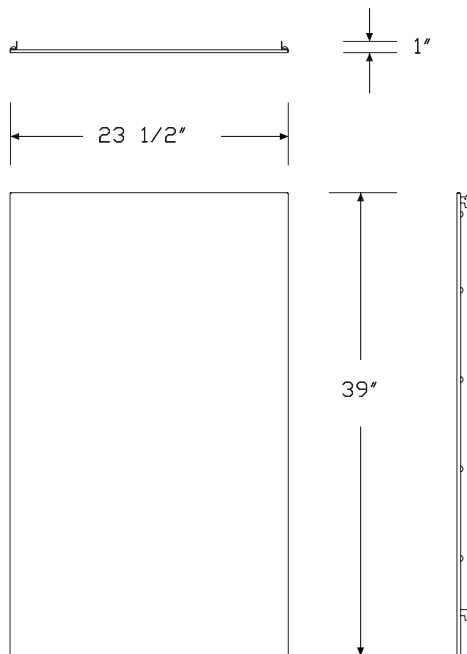
**Description**

The AV/VC One full front panel mounts to the AV/VC One column kit and column kit in the AV/VC One technology support kit when the front box kit is not used. Full front panel features easy hook-on mounting.

**Notes**

This full front panel or the front box kit (Y96003.) is used in the AV/VC One technology support kit (Y96111.), ordered separately.  
 This product was designed by Colebrook Bosson Saunders Products Ltd.

**Dimensions**



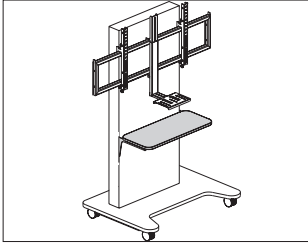
**Specification Information**

**Step 1.**

**Y96004.** A \$320

**Step 2. Finish**

**OH** black A +\$0



**Product Information**

**Description**

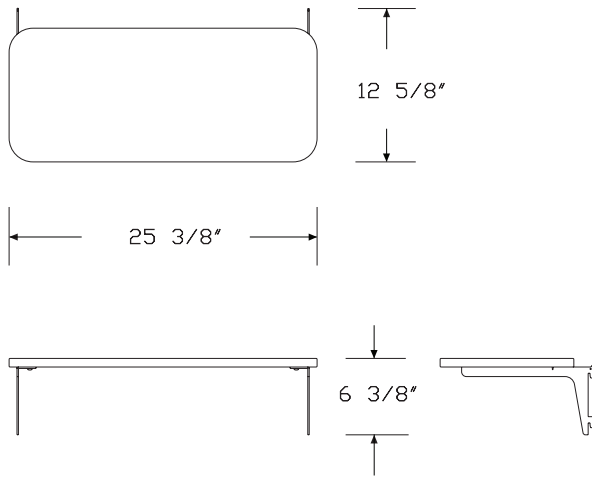
The AV/VC One shelf mounts to the AV/VC One column kit and column kit in the AV/VC One technology support kit. It features easy hook-on mounting at a range of heights. Shelf supports laptops, screen drivers, or a VC camera. It can be retrofitted after installation.

**Notes**

Shelf supports up to 55 pounds.

This product was designed by Colebrook Bosson Saunders Products Ltd.

**Dimensions**



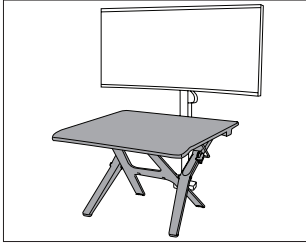
**Specification Information**

**Step 1.**

**Y96005.** [A] \$517

**Step 2. Finish**

**0H** black [A] +\$0



**Product Information**

**Description**

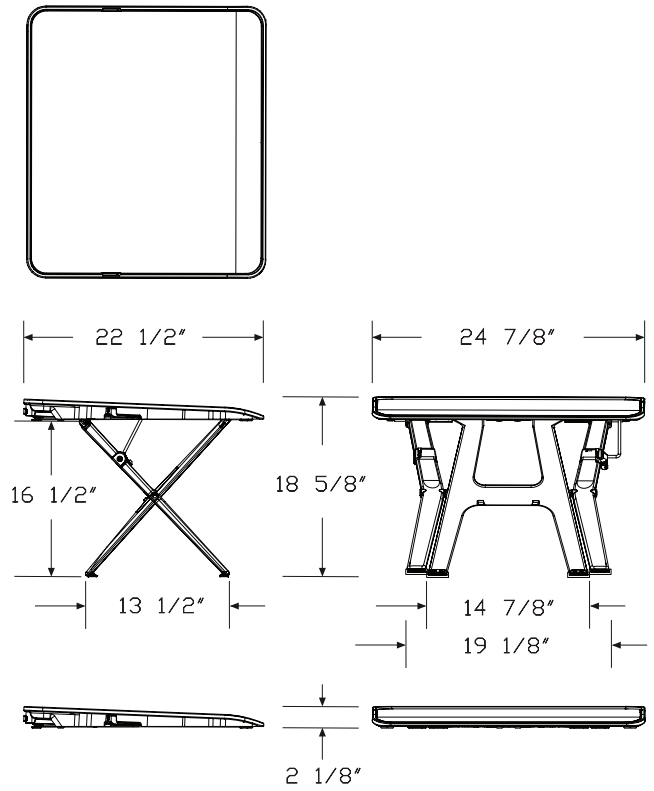
This freestanding sit-stand riser allows users to easily transform an existing fixed-height work surface into a sit-stand workstation. It uses spring-activated levers to raise and lower the riser work surface to one of 9 preset height positions. The riser worksurface sits  $2\frac{1}{8}$ " above the work surface when fully collapsed, and up to  $18\frac{5}{8}$ " above the work surface when extended to maximum height. Total height adjustment range is  $16\frac{1}{2}$ ". Riser worksurface can hold up to 15 pounds of equipment and can be used with a fixed-height work surface-attached Ollin or Flo® monitor arm with an extended height riser clamp for monitor support. The sit-stand riser can be easily moved to another work surface or for storage using the integrated carry handle. The sit-stand riser has integrated non-skid feet for a secure install on a work surface.

**Notes**

Riser worksurface finish is black (OH).

To use with Ollin, Flo, or Lima monitor arms, order monitor arms with extended riser clamps separately.

**Dimensions**

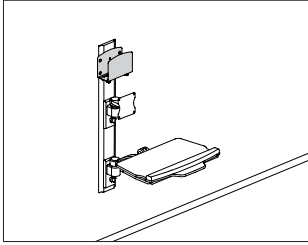


# Monto Sit Stand Riser *continued*

Thrive™ Technology Support

Specification Information		
Step 1.		
<b>Y93000.</b>	<input type="checkbox"/> A	\$864
Step 2. Work Surface Finish		
<b>0H</b>	black <input type="checkbox"/> A	+\$0
Step 3. Leg Finish		
<b>0I</b>	silver <input type="checkbox"/> A	+\$0

# Track Mount Small Cradle CPU Support Y94100



## Product Information

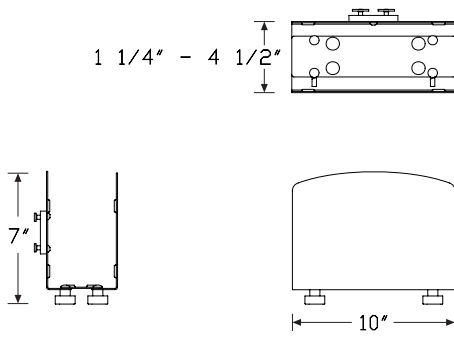
### Description

This track mount CPU cradle is adjustable from 1 1/4" to 4 1/2" wide and can mount to HD, LD and Mbrace wall tracks.

### Notes

Wall mount hardware included.

### Dimensions



## Specification Information

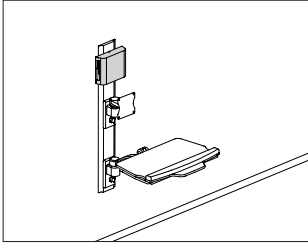
### Step 1.

**Y94100.**  A \$409

### Step 2. Finish

**0I** silver  A +\$0

**0J** white  A +\$0



Thrive™ Technology Support

**Product Information**

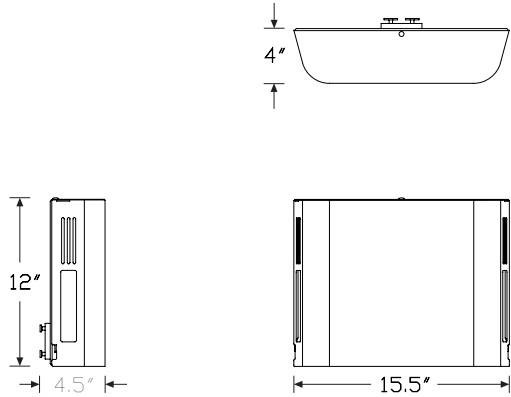
**Description**

This track mount CPU enclosure measures 14" wide by 11" tall and 5" deep, and is designed to prevent tampering with cables and connections. The steel enclosure provides ventilation.

**Notes**

Mounts directly to the wall or 32", 34", or 48" wall tracks.  
 Wall mount hardware included.

**Dimensions**



**Specification Information**

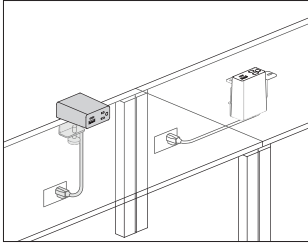
**Step 1.**

**Y94102.** A \$708

**Step 2. Finish**

**0I** silver A +\$0

**0J** white A +\$0



**Product Information**

**Description**

This electrical distributor plugs directly into floor, wall, or ceiling drop outlets. Each module configuration presents the same visual appearance. Cable clips and attachment hardware included. Product is UL listed.

**Notes**

Cable clips for cord management are intended for a 1-time installation.

Clamp versions can be reoriented in the field by a technician.

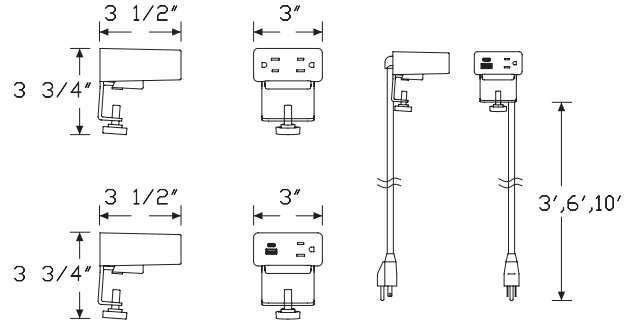
USB ports provide a combined 20 watts of power to charge most devices and tablets at full speed. USB-C provides 15 watts of power and USB-A provides 10 watts of power individually. When using the USB-C and USB-A ports simultaneously, USB-C remains at 15 watts and USB-A reduces to 5 watts.

Cord color is predetermined. For white (91) finish cords will be white.

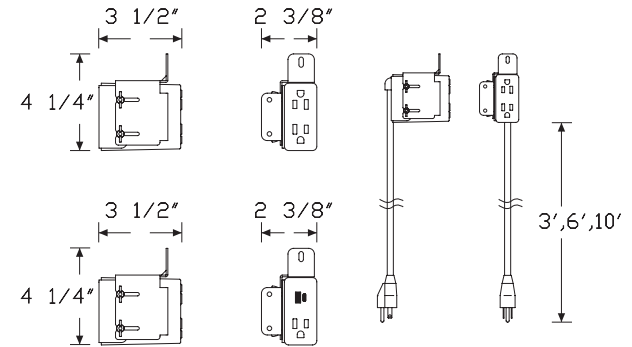
For graphite (G1) finish cords will be black.

Grommet mount attachment (Y1414.xxxG) does not come with the mini grommet. Order Logic mini grommet (Y1412.) separately, as needed.

**Dimensions**



Surface Clamp



Grommet Mount

**Specification Information**

Step 1.

**Y1414.**

Step 2. Configuration

- L** 1 simplex receptacles, 1 powered USB A/C Combo
- K** 2 simplex receptacles

Step 3. Cord/Conduit Length

- 03** 3' cord/conduit
- 06** 6' cord/conduit
- 10** 10' cord/conduit

Step 4. Attachment

- G** grommet mount
- S** surface clamp

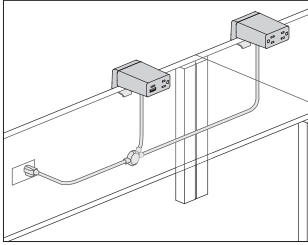
Prices for Steps 1-4.

			<b>G</b>	<b>S</b>
<b>Y1414. L</b>	<b>03</b>		\$457	457
	<b>06</b>		\$457	457
	<b>10</b>		\$468	468
	<b>K</b>	<b>03</b>	\$256	256
		<b>06</b>	\$256	256
		<b>10</b>	\$269	269

Step 5. Finish

- BK** black A +\$0
- 91** white A +\$0
- 98** studio white A +\$0
- G1** graphite A +\$0





**Product Information**

**Description**

This electrical distributor plugs directly into floor, wall, or ceiling drop outlets. Each module configuration presents the same visual appearance. Cable clips and attachment hardware included. Product is ETL listed to UL962.

**Notes**

Cable clips for cord management are intended for a 1-time installation.

Clamp versions can be reoriented in the field by a technician.

Jumper length denotes distance between center points of each split point.

Cord length denotes distance from plug end to first split point.

Cord color is black for all module finish colors.

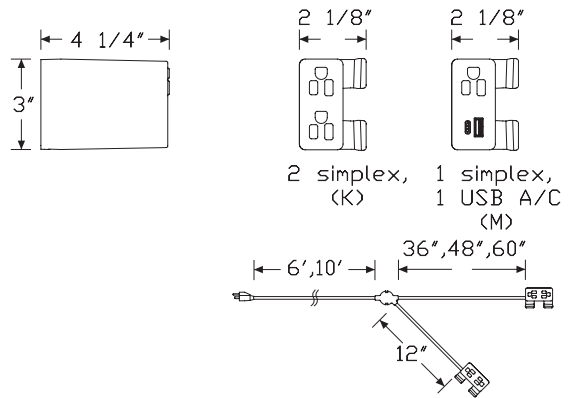
All branch lengths from main power cord to module are 12".

USB ports provide a combined 20 watts of power to charge most devices and tablets at full speed. USB-C provides 15 watts of power and USB-A provides 10 watts of power individually. When using the USB-C and USB-A ports simultaneously, USB-C remains at 15 watts and USB-A reduces to 5 watts.

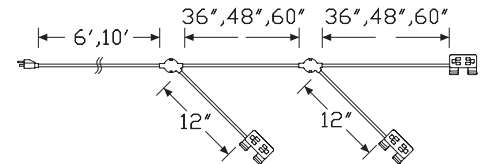
The cord head contains a circuit breaker when there are more than 3 simplex receptacles.

Grommet mount attachment (Y1415.xxxxG) does not come with the mini grommet. Order Logic mini grommet (Y1412.) separately, as needed.

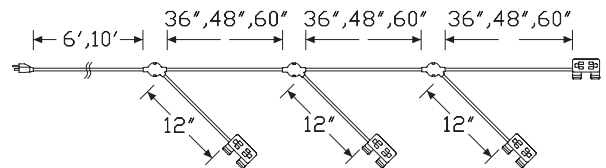
**Dimensions**



Two Power Modules



Three Power Modules



Four Power Modules

**Specification Information**

Step 1.

**Y1415.**

Step 2. Number of Modules

- 2** two power modules
- 3** three power modules
- 4** four power modules

Step 3. Power Type

- M** 1 simplex receptacles, 1 powered USB A/C Combo
- K** 2 simplex receptacles, all modules
- N** first module has 1 AC simplex plus 1 powered USB A/C Combo  
all other modules have all AC simplexes

Step 4. Jumper Length

- 36** 36" between split points
- 48** 48" between split points
- 60** 60" between split points

Step 5. Attachment

- G** grommet mount
- S** surface clamp

Step 6. Cord/Conduit Length

- 06** 6' cord/conduit
- 10** 10' cord/conduit

Prices for Steps 1-6.

		<b>36G06</b>	<b>36G10</b>	<b>36S06</b>	<b>36S10</b>	<b>48G06</b>	<b>48G10</b>
<b>Y1415.2</b>	<b>M</b>	\$1005	1019	1005	1019	1017	1032
	<b>K</b>	\$604	617	604	617	614	629
	<b>N</b>	\$804	818	804	818	816	830
<b>3</b>	<b>M</b>	\$1497	1510	1497	1510	1518	1533
	<b>K</b>	\$914	931	914	931	939	950
	<b>N</b>	\$1117	1130	1117	1130	1138	1154
<b>4</b>	<b>M</b>	\$2032	2046	2032	2046	2065	2079
	<b>K</b>	\$1229	1240	1229	1240	1262	1273
	<b>N</b>	\$1428	1442	1428	1442	1462	1474
		<b>48S06</b>	<b>48S10</b>	<b>60G06</b>	<b>60G10</b>	<b>60S06</b>	<b>60S10</b>
<b>Y1415.2</b>	<b>M</b>	\$1017	1032	1029	1045	1029	1045
	<b>K</b>	\$614	629	624	639	624	639
	<b>N</b>	\$816	830	828	842	828	842
<b>3</b>	<b>M</b>	\$1518	1533	1542	1555	1542	1555
	<b>K</b>	\$939	950	960	972	960	972
	<b>N</b>	\$1138	1154	1163	1175	1163	1175

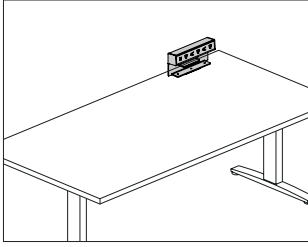
<b>4</b>	<b>M</b>	\$2065	2079	2113	2127	2113	2127
	<b>K</b>	\$1262	1273	1292	1309	1292	1309
	<b>N</b>	\$1462	1474	1495	1508	1495	1508

Step 7. Finish

<b>91</b>	white	<b>A</b>					+\$0
<b>98</b>	studio white	<b>A</b>					+\$0
<b>BK</b>	black	<b>A</b>					+\$0
<b>G1</b>	graphite	<b>A</b>					+\$0

# Logic C1000 Universal Clamp Mount Distributor

Y1423.



## Product Information

### Description

This Logic Power Access Solutions™ clamp mounted electrical distributor comes in several widths and configurations of simplex receptacles and USB-A and USB-C charging ports. The unit is powered using a standard power cord with plug end. Data cords can be routed through the integrated opening at the rear of the unit. Product is UL listed.

### Notes

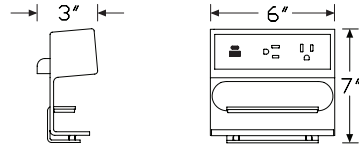
Clamp mounts on worksurfaces 1" 1/4" thick.

Faceplate color matches unit color.

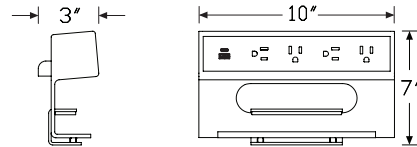
Simplex receptacles have alternating orientation and greater than normal plug spacing to accommodate most plug types.

USB ports provide a combined 20 watts of power to charge most devices and tablets at full speed. USB-C provides 15 watts of power and USB-A provides 10 watts of power individually. When using the USB-C and USB-A ports simultaneously, USB-C remains at 15 watts and USB-A reduces to 5 watts.

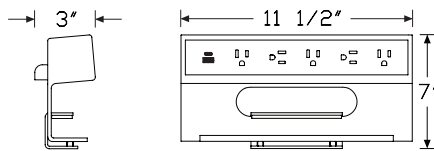
## Dimensions



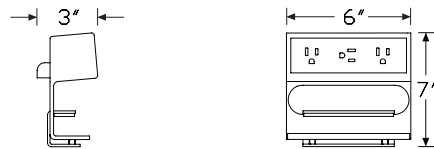
2 simplex receptacles with 1 powered USB A/C combo (H)



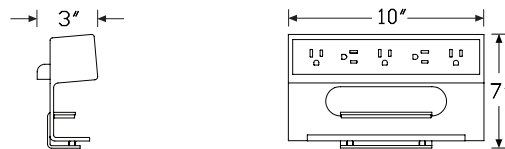
4 simplex receptacles with 1 powered USB A/C combo (I)



5 simplex receptacles with 1 powered USB A/C combo (J)



3 simplex receptacles (E)



5 simplex receptacles (F)

# Logic C1000 Universal Clamp Mount Distributor *continued*

Thrive™ Power and Data Support

## Specification Information

### Step 1.

**Y1423.**

### Step 2. Configuration

- H** 2 simplex receptacles, 1 powered USB A/C Combo
- I** 4 simplex receptacles, 1 powered USB A/C Combo
- J** 5 simplex receptacles, 1 powered USB A/C Combo
- E** 3 simplex receptacles
- F** 5 simplex receptacles

### Step 3. Power Type

- A** power cord with plug end

### Step 4. Cord/Conduit Length

- 03** 3' cord/conduit
- 06** 6' cord/conduit
- 10** 10' cord/conduit

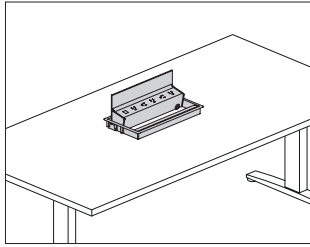
### Prices for Steps 1-4.

	<b>03</b>	<b>06</b>	<b>10</b>
<b>Y1423. H A</b>	\$614	614	629
<b>I A</b>	\$738	738	750
<b>J A</b>	\$789	789	803
<b>E A</b>	\$412	412	427
<b>F A</b>	\$538	538	550

### Step 5. Finish

- 91** white A +\$0
- 98** studio white A +\$0
- BK** black A +\$0
- G1** graphite A +\$0
- MS** metallic silver A +\$0

# Logic G1000 Grommet Mounted Electrical Distributor Y1425.



## Product Information

### Description

This Logic Power Access Solutions™ grommet mounted electrical distributor comes in several widths and configurations of simplex receptacles and USB-A and USB-C charging ports. The unit is powered using a standard power cord with plug end, or an IEC connector when used with Renew™ Sit-to-Stand tables. An integrated cord keeper at the face of the unit captures data cords. The unit pivots from a closed position to 135° allowing easy access to power and data cords stored beneath the unit. Product is UL listed.

### Notes

Field cutting of grommet cutout is possible.

IEC connector for Renew power type (C) includes short cord designed to connect to the Renew table power cord through-leg option. Actual cord length may vary.

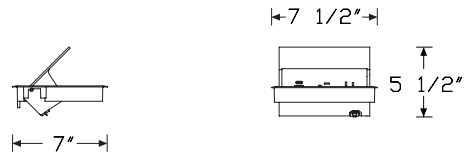
Simplex receptacles have alternating orientation and greater than normal plug spacing to accommodate most plug types.

USB ports provide a combined 20 watts of power to charge most devices and tablets at full speed. USB-C provides 15 watts of power and USB-A provides 10 watts of power individually. When using the USB-C and USB-A ports simultaneously, USB-C remains at 15 watts and USB-A reduces to 5 watts.

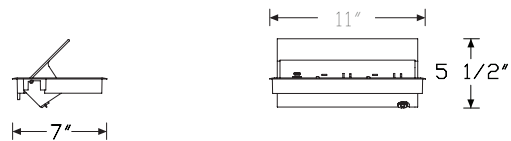
Refer to Renew Sit-to-Stand Tables planning guide for specific application information.

20' cord/conduit length (20) is recommended for Exclave® applications.

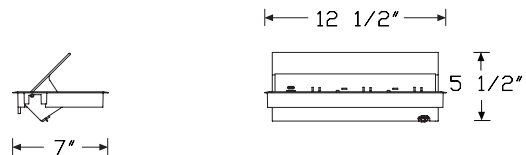
## Dimensions



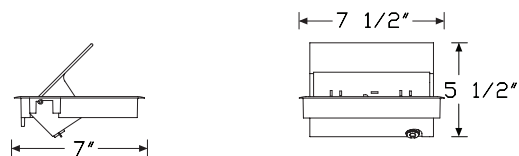
2 simplex receptacles with 1 powered USB A/C combo (H)



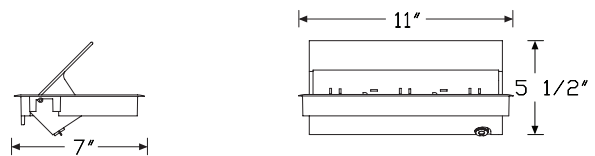
4 simplex receptacles with 1 powered USB A/C combo (I)



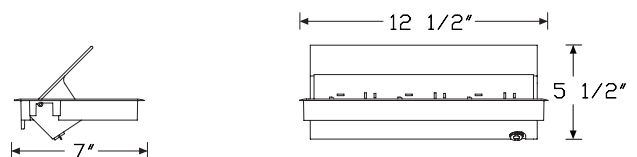
5 simplex receptacles with 1 powered USB A/C combo (J)



3 simplex receptacles (E)



5 simplex receptacles (F)



6 simplex receptacles (G)

# Logic G1000 Grommet Mounted Electrical Distributor *continued*

## Specification Information

### Step 1.

**Y1425.**

### Step 2. Configuration

- H** 2 simplex receptacles, 1 powered USB A/C Combo
- I** 4 simplex receptacles, 1 powered USB A/C Combo
- J** 5 simplex receptacles, 1 powered USB A/C Combo
- E** 3 simplex receptacles
- F** 5 simplex receptacles
- G** 6 simplex receptacles

### Step 3. Power Type

- A** power cord with plug end
- C** IEC connector for Renew Tables

### Step 4. Cord/Conduit Length

#### *For power cord with plug end (A)*

- 03** 3' cord/conduit
- 06** 6' cord/conduit
- 10** 10' cord/conduit
- 20** 20' cord/conduit

#### *For IEC connector for Renew Tables (C)*

- 03** 3' cord/conduit

### Prices for Steps 1-4.

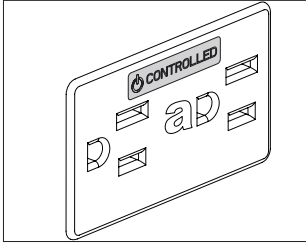
		<b>03</b>	<b>06</b>	<b>10</b>	<b>20</b>
<b>Y1425. H</b>	<b>A</b>	\$873	873	887	901
	<b>C</b>	\$887	—	—	—
<b>I</b>	<b>A</b>	\$1011	1011	1028	1042
	<b>C</b>	\$1028	—	—	—
<b>J</b>	<b>A</b>	\$1104	1104	1117	1130
	<b>C</b>	\$1117	—	—	—
<b>E</b>	<b>A</b>	\$672	672	685	697
	<b>C</b>	\$685	—	—	—
<b>F</b>	<b>A</b>	\$811	811	826	841
	<b>C</b>	\$826	—	—	—
<b>G</b>	<b>A</b>	\$901	901	914	931
	<b>C</b>	\$914	—	—	—

### Step 5. Finish

- 91** white A +\$0
- 98** studio white A +\$0
- BK** black A +\$0
- G1** graphite A +\$0
- MS** metallic silver A +\$0

Controlled Receptacle Decal  
(12 per sheet)

G9999.

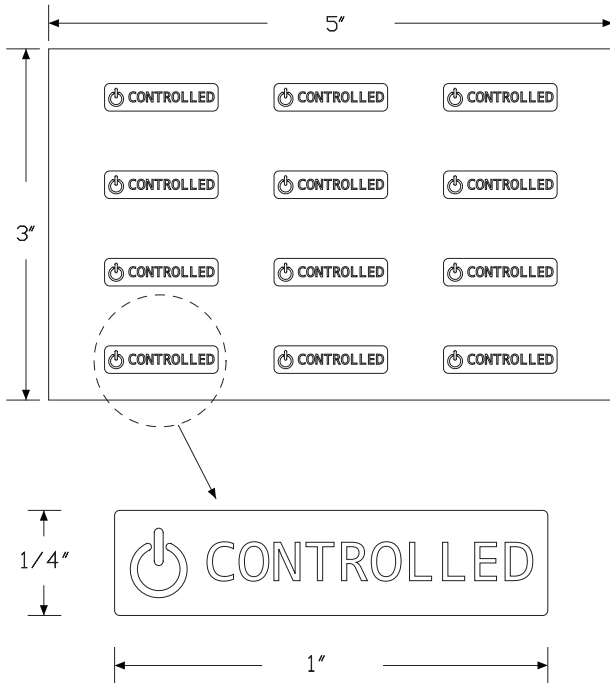


**Product Information**

**Description**

This decal is to be used for ASHRAE90.1 and Title 24 compliance. The decal is used to mark standard receptacles (new or existing) that are under automated control by the energy management system. 1 sheet includes 12 clear decals with white or black print.

**Dimensions**



**Specification Information**

**Step 1.**

**G9999.**  A

**Step 2. Color**

**B** black print  A

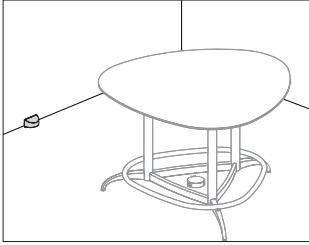
**W** white print  A

**Prices for Steps 1-2.**

<b>G9999. B</b>	\$17
<b>W</b>	\$17

# Logic Reach™ Wall Start

Y1450.



Thrive™ Power and Data Support

### Product Information

#### Description

This Logic Reach™ Wall Start accommodates single circuit power connection from an architectural wall or column either internally or externally. It routes single circuit A power and is rated at 20 amps. It is UL Listed.

#### Notes

Internal drywall (01) application routes conduit to junction box.

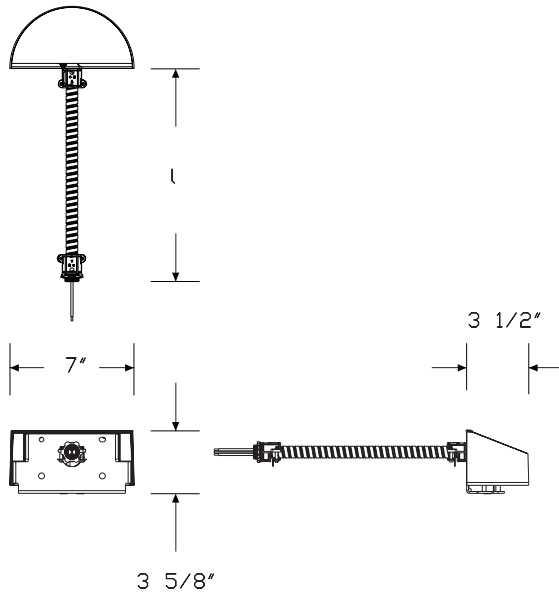
Conduit length is 3 feet.

External to wall (02) application routes a water-tight conduit to junction box. Liquid tight conduit length is 5 feet.

Internal and external wall starts must be hardwired to a power source by a licensed electrician and must be connected to a branch circuit protected by a Class A GFCI circuit breaker.

Order Logic Reach under-carpet track (Y1470.) and electrical hub (Y1480.) separately.

#### Dimensions



### Specification Information

#### Step 1.

**Y1450.**  A

#### Step 2. Circuit

**A** circuit a  A

#### Step 3. Application

**01** internal wall wire infeed  A

**02** external wall wire infeed  A

#### Step 4. Direction

*For wall exit (\*), skip this step.*

*For internal wall wire infeed (01), skip this step.*

*For external wall wire infeed (02)*

**L** lefthand exit  A

**R** righthand exit  A

#### Prices for Steps 1-4.

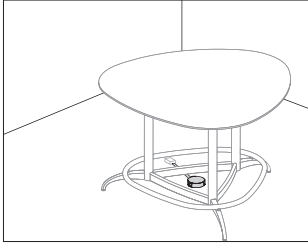
		*	L	R
<b>Y1450. A</b>	<b>01</b>	\$340	—	—
	<b>02</b>	—	\$456	456

#### Step 5. Finish

**DCR** dark carbon  A +\$0

**DVP** dark mineral  A +\$0





**Product Information**

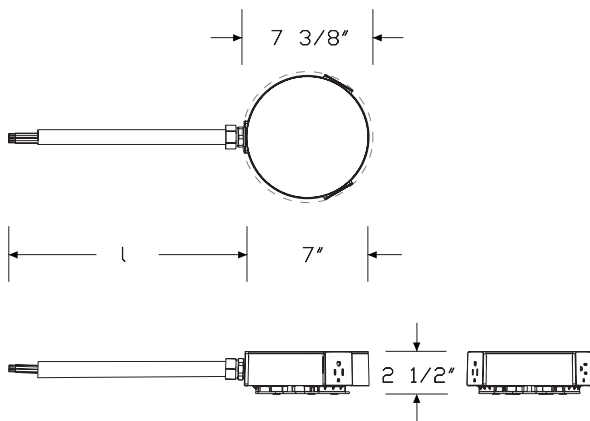
**Description**

This Logic Reach™ Floor Start draws single circuit A power from a floor power source. It routes single circuit A power and is rated at 20 amps with 15-amp receptacles. It connects to 1 or 2 Under-Carpet Tracks and is UL Listed. Attachment hardware not included.

**Notes**

- See planning guide for hardware suggestions based on floor type.
- Floor start must be hardwired into a floor power source by a licensed electrician and must be connected to a branch circuit protected by a Class A GFCI circuit breaker.
- Floor start terminates in a modified electrical hub that includes 2 receptacles.
- The modified electrical hub receptacle location that has the liquid tight conduit replaces the receptacle position that is oriented ground-pin-down.
- Liquid tight conduit length is 6 feet.
- Order Logic Reach under-carpet track (Y1470.) and electrical hub (Y1480.) separately.

**Dimensions**



**Specification Information**

**Step 1.**

**Y1451.** A

**Step 2. Circuit**

**A** circuit a A

**Prices for Steps 1-2.**

**Y1451. A** \$710

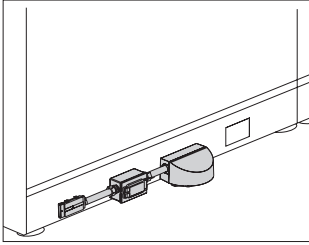
**Step 3. Finish**

**DCR** dark carbon A +\$0

**DVP** dark mineral A +\$0

# Logic Reach™ Canvas Wall System Start

Y1460.



Thrive™ Power and Data Support

## Product Information

### Description

This Logic Reach™ Canvas Wall System Start draws single circuit power from a Canvas Wall workstation on circuit A. It is rated at 20 amps and connects to 1 or 2 Under-Carpet Tracks. It is UL Listed.

### Notes

Includes an integrated, resettable 20-amp Class A GFCI device.

Whip length is 36" for open base tile configurations ABL1 and ABR1, and 42" for tile configurations ABL2 and ABR2.

Whip for open base (B) application enters bottom of wall frame.

For open base (B) application, the start does not take up a receptacle location.

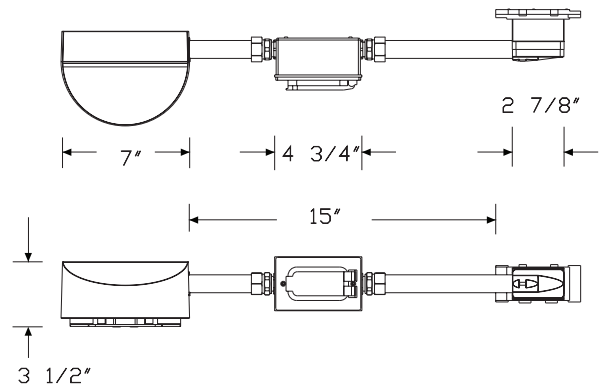
For base cover (C) application, the start takes a receptacle location.

This application also needs to be used with Canvas Wall Retrofit Base Cover for Power Entry (FT162), ordered separately.

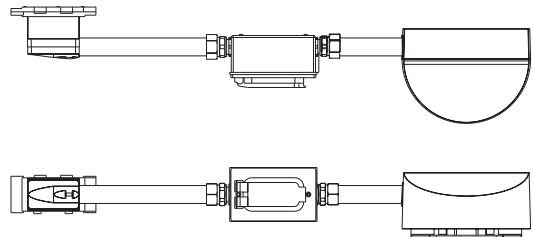
Canvas Wall Start can mount start within 15" from end of panel.

To continue a run of track and hubs, order Logic Reach under-carpet track (Y1470.) and electrical hub (Y1480.) separately.

## Dimensions



Right Facing Whip



Left Facing Whip

# Logic Reach™ Canvas Wall

## System Start *continued*

### Specification Information

Step 1.

**Y1460.**  A

Step 2. Circuit

**A** circuit a  A

Step 3. Application

**C** base cover  A

**B** open base  A

Step 4. Direction

**L** left facing whip  A

**R** right facing whip  A

Step 5. Tile Configuration

*For open base (B)*

**1** feed above the base and below the work surface  A

**2** low credenza height and at belt line  A

Prices for Steps 1-5.

	L1	L2	R1	R2	L	R
<b>Y1460. A B</b>	\$981	981	981	981	—	—
<b>A C</b>	—	—	—	—	\$981	981

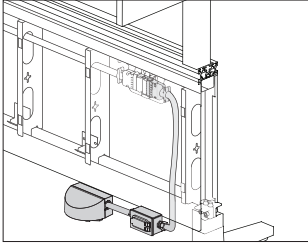
Step 6. Surface Finish

**DCR** dark carbon  A +\$0

**DVP** dark mineral  A +\$0

# Logic Reach™ Canvas Dock System Start

Y1461.



Thrive™ Power and Data Support

## Product Information

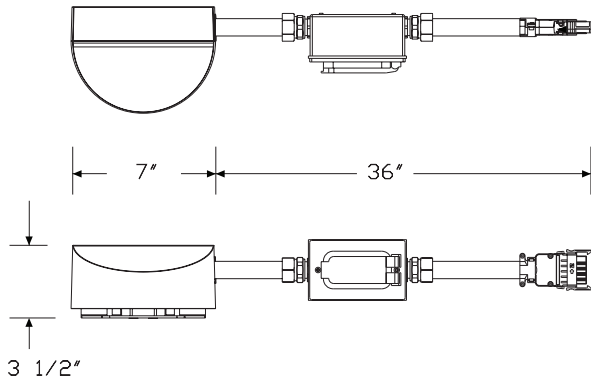
### Description

This Logic Reach™ Canvas Dock System Start draws single circuit power from a Canvas Dock workstation on circuit A. It is rated at 20 amps and connects to 1 or 2 Under-Carpet Tracks. It is UL Listed.

### Notes

Includes an integrated, resettable 20-amp Class A GFCI device.  
 The start should be installed up to 36" from end of Dock and does not take up a receptacle location.  
 To continue a run of track and hubs, order Logic Reach under-carpet track (Y1470.) and electrical hub (Y1480.) separately.

### Dimensions



## Specification Information

### Step 1.

**Y1461.**  A

### Step 2. Circuit

**A** circuit a  A

### Prices for Steps 1-2.

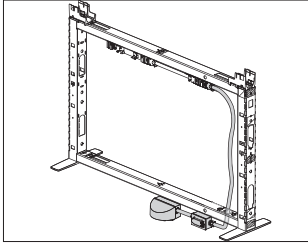
**Y1461. A** \$981

### Step 3. Surface Finish

**DCR** dark carbon  A +\$0

**DVP** dark mineral  A +\$0

# Logic Reach™ Canvas Channel System Start Y1462.



## Product Information

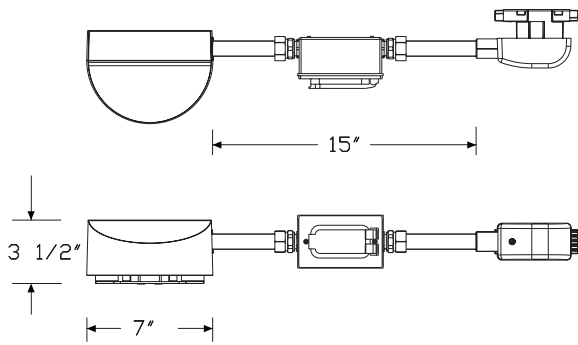
### Description

This Logic Reach™ Canvas Channel System Start draws single circuit power from a Canvas Channel workstation on circuit A. It is rated at 20 amps and connects to 1 or 2 Under-Carpet Tracks. It is UL Listed.

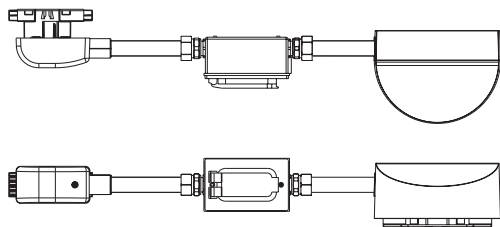
### Notes

Includes an integrated, resettable 20-amp Class A GFCI device.  
 Whip for open base (B) application enters bottom of frame. See planning guide for appropriate dimension locations.  
 For open base (B) application, the start must connect into the lowest power in the channel and does not take up a receptacle location.  
 For tiles to-the-floor (T) application, the start must be within 15" of receptacle opening and takes up a receptacle location.  
 To continue a run of track and hubs, order Logic Reach under-carpet track (Y1470.) and electrical hub (Y1480.) separately.

## Dimensions



Right Facing Whip



Left Facing Whip

## Specification Information

### Step 1.

**Y1462.** [A]

### Step 2. Circuit

**A** circuit a [A]

### Step 3. Application

**T** tiles to floor [A]

**B** open base [A]

### Step 4. Direction

**L** left facing whip [A]

**R** right facing whip [A]

### Prices for Steps 1-4.

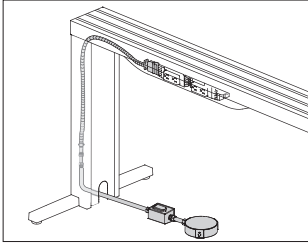
	L	R
<b>Y1462. A T</b>	\$981	981
<b>B</b>	\$981	981

### Step 5. Surface Finish

<b>DCR</b> dark carbon [A]	+\$0
<b>DVP</b> dark mineral [A]	+\$0

# Logic Reach™ Canvas Vista System Start

Y1464.



Thrive™ Power and Data Support

## Product Information

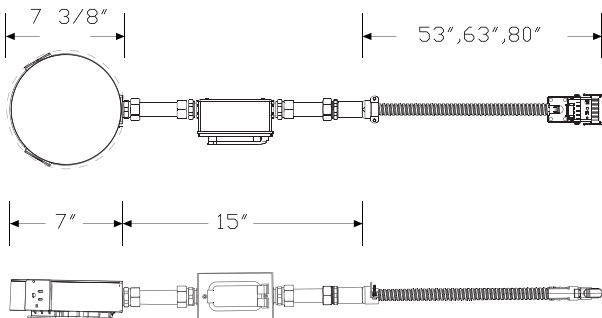
### Description

This Logic Reach™ Canvas Vista System Start connects to the Canvas Vista leg on single circuit A and terminates in a modified Electrical Hub. It is rated at 20 amps and connects to 1, 2 or 3 Under-Carpet Tracks. It is UL Listed.

### Notes

- Includes an integrated, resettable 20-amp Class A GFCI device.
- Modified electrical hub provides 2 receptacle locations.
- The modified electrical hub receptacle location that has the liquid tight conduit replaces the receptacle position that is oriented ground-pin-down.
- Modified electrical hub should be installed 18", +/- 12", from leg, and does not take up a receptacle location in the chase.
- Whip includes 30" of liquid tight conduit for all whip lengths.
- Remaining length is flexible conduit.
- To continue a run of track and hubs, order Logic Reach under-carpet track (Y1470.) and electrical hubs (Y1480.) separately.

## Dimensions



## Specification Information

### Step 1.

**Y1464.** A

### Step 2. Circuit

**A** circuit a A

### Step 3. Whip Length

**053** 53" long A

**063** 63" long A

**080** 80" long A

### Prices for Steps 1-3.

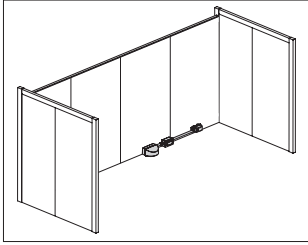
	<b>053</b>	<b>063</b>	<b>080</b>
<b>Y1464. A</b>	\$1147	1147	1147

### Step 4. Surface Finish

<b>DCR</b> dark carbon <span style="border: 1px solid black; padding: 0 2px;">A</span>	+\$0
<b>DVP</b> dark mineral <span style="border: 1px solid black; padding: 0 2px;">A</span>	+\$0

# Logic Reach™ Overlay System Start

Y1465.



### Product Information

#### Description

This Logic Reach™ Overlay System Start draws single circuit power from an Overlay Performance Wall on circuit A. It is rated at 20 amps and connects to the Under-Carpet Track. It is UL Listed.

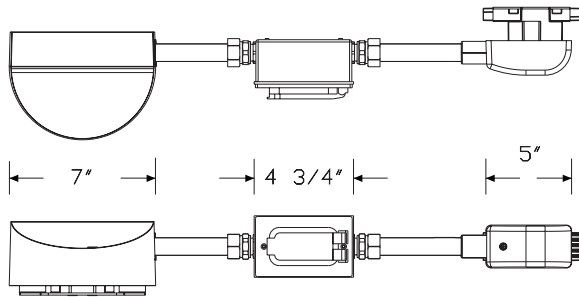
#### Notes

Includes an integrated, resettable 20-amp Class A GFCI device.

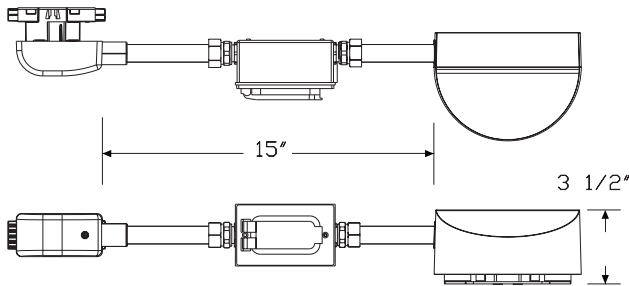
Whip length is 15" and uses a receptacle location on the Overlay Performance Wall.

To continue a run of track and hubs, order Logic Reach under-carpet track (Y1470.) and electrical hub (Y1480.) separately.

#### Dimensions



Right Facing Whip



Left Facing Whip

### Specification Information

#### Step 1.

**Y1465.**  A

#### Step 2. Circuit

**A** circuit a  A

#### Step 3. Direction

**L** left facing whip  A

**R** right facing whip  A

#### Prices for Steps 1-3.

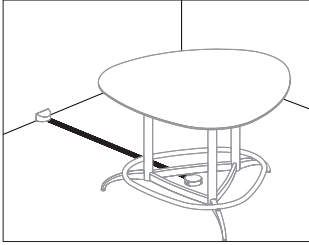
	L	R
<b>Y1465. A</b>	\$981	981

#### Step 4. Surface Finish

**DCR** dark carbon  A +\$0

**DVP** dark mineral  A +\$0

# Logic Reach™ Under Carpet Track Y1470.



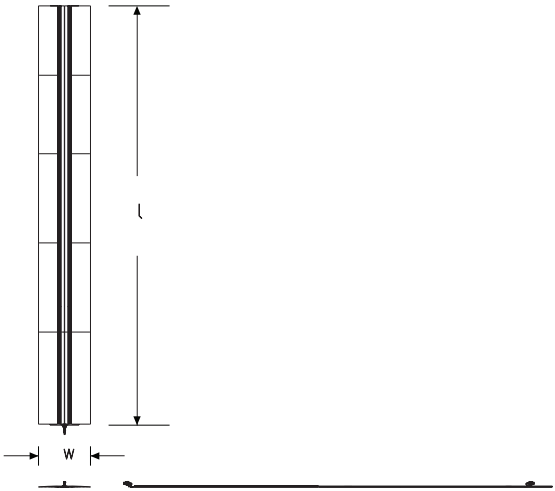
Thrive™ Power and Data Support

## Product Information

**Description**  
 This Logic Reach™ Under Carpet Track attaches to a Logic Reach start and routes single circuit power and either flat or round Category 5 or Category 6 data wires to an Electrical Hub. Ramps are included in track specification. Attachment hardware not included. Track is rated at 20 amps. It is ADA compliant and UL Listed.

**Notes**  
 Product not compatible with Chicago Electrical Code.  
 Track must be covered by carpet tiles.  
 Attachment hardware not included. See planning guide for hardware suggestions based on floor type.  
 Thickness of flat data track and ramp is 3/16" and width is 9 7/8".  
 Thickness of round data track is 5/16" and width is 18 1/8".  
 Flat data track application can accommodate up to 2 Category 5 or Category 6 flat data cables. Round data track application can accommodate up to 8 Category 5 or Category 6 round data cables.  
 Order Logic Reach start (Y1450., Y1451., Y1460., Y1461., Y1462., Y1464., Y1465.) and electrical hub (Y1480.) separately.

## Dimensions



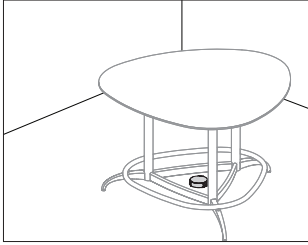
## Specification Information

- Step 1.**  
**Y1470.**  A
- 
- Step 2. Circuit**  
**A** circuit a  A
- 
- Step 3. Track Type**  
**1** power and flat data track  A  
**2** power and round data track  A
- 
- Step 4. Length**  
**036** 36" long  A  
**048** 48" long  A  
**060** 60" long  A  
**072** 72" long  A  
**084** 84" long  A  
**096** 96" long  A  
**108** 108" long  A  
**120** 120" long  A  
**132** 132" long  A  
**144** 144" long  A

## Prices for Steps 1-4.

		036	048	060	072	084	096
Y1470. A	1	\$408	429	454	474	497	518
	2	\$524	552	584	615	648	698
				108	120	132	144
Y1470. A	1			\$564	587	610	656
	2			\$778	855	939	1003





**Product Information**

**Description**

This Logic Reach™ Electrical Hub connects to a Logic Reach Under-Carpet Track to provide 3 AC single circuit A power receptacles. The Electrical hub attaches to the subfloor. Attachment hardware not included. Hub is rated at 20 amps with 15-amp receptacles and is UL Listed.

**Notes**

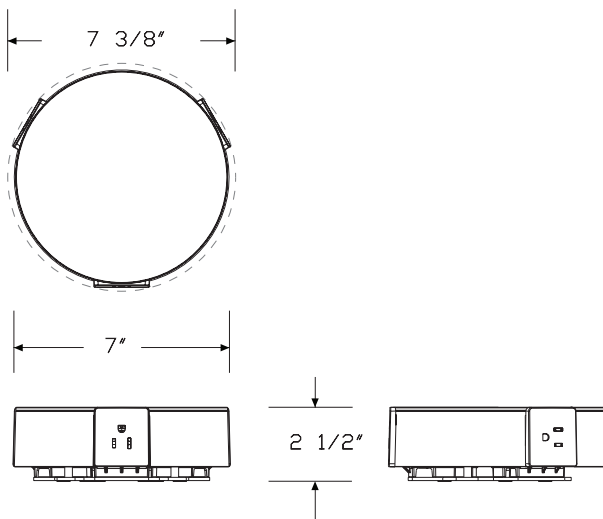
Each receptacle is oriented differently to accommodate typical plug configurations including offset power supply transformers.

Attachment hardware not included. See planning guide for hardware suggestions based on floor type.

Electrical hub can accommodate carpet thickness up to 0.28".

Order Logic Reach start (Y1450., Y1451., Y1460., Y1461., Y1462., Y1464., Y1465.) and under-carpet track (Y1470.) separately.

**Dimensions**



**Specification Information**

**Step 1.**

**Y1480.**  A

**Step 2. Circuit**

**A** circuit a  A

**Prices for Steps 1-2.**

**Y1480. A** \$429

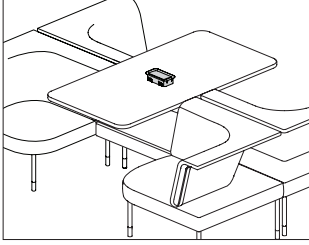
**Step 3. Surface Finish**

**DCR** dark carbon  A + \$0

**DVP** dark mineral  A + \$0

# Logic Mini Grommet

Y1412.



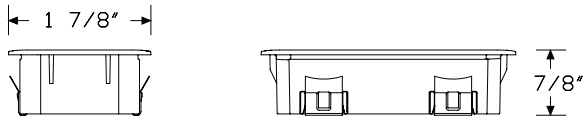
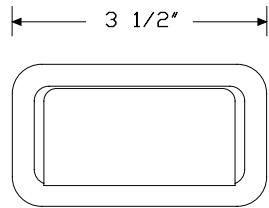
Thrive™ Power and Data Support

### Product Information

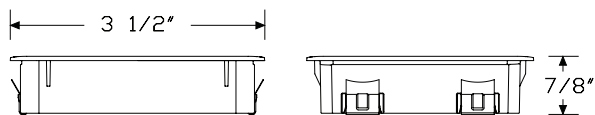
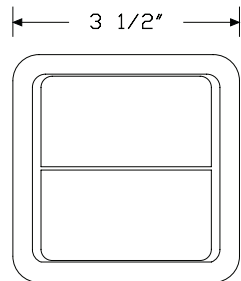
**Description**  
 This Logic Power Access Solutions™ plastic grommet is available in mini rectangle or mini square configuration. The integrated flaps can hide the things below the surface while also retaining power and data cords.

**Notes**  
 This grommet is installed in some HermanMiller applications. Verify your application before ordering grommet separately.

### Dimensions



Grommet - Rectangle



Grommet - Square

### Specification Information

**Step 1.**  
**Y1412.**

**Step 2. Configuration**

<b>1</b>	mini rectangle grommet
<b>2</b>	mini square grommet

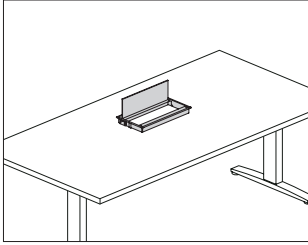
**Prices for Steps 1-2.**

<b>Y1412. 1</b>	\$40
<b>2</b>	\$45

**Step 3. Finish**

<b>91</b>	white	+\$0
<b>98</b>	studio white	+\$0
<b>BK</b>	black	+\$0
<b>G1</b>	graphite	+\$0

Logic G1200 Grommet Pass Thru Y1420.



**Product Information**

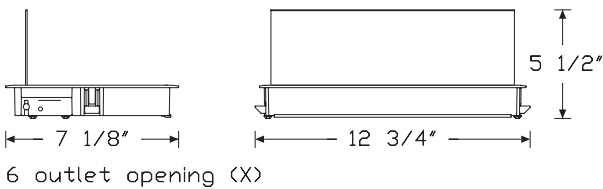
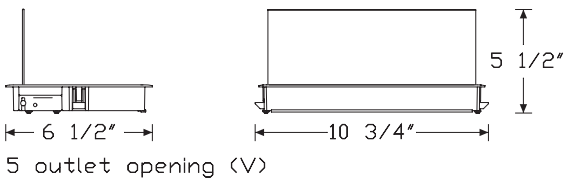
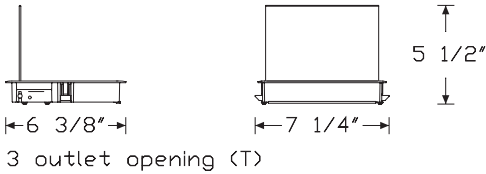
**Description**

This Logic Power Access Solutions™ grommet mounted metal enclosure provides access to cords kept beneath the surface. The unit has an integrated cord keeper.

**Notes**

Unit size is based on the grommet mounted electrical distributor (Y1425.) with simplex receptacles.

**Dimensions**



**Specification Information**

**Step 1.**

**Y1420.**

**Step 2. Configuration**

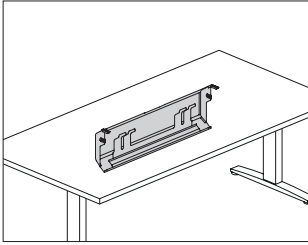
- T** three outlet opening
- V** five outlet opening
- X** six outlet opening

**Prices for Steps 1-2.**

<b>Y1420. T</b>	\$294
<b>V</b>	\$323
<b>X</b>	\$351

**Step 3. Finish**

<b>91</b> white <input type="checkbox"/>	+\$0
<b>98</b> studio white <input type="checkbox"/>	+\$0
<b>BK</b> black <input type="checkbox"/>	+\$0
<b>G1</b> graphite <input type="checkbox"/>	+\$0
<b>MS</b> metallic silver <input type="checkbox"/>	+\$0

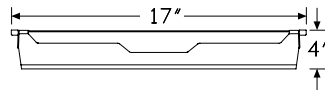
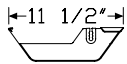


**Product Information**

**Description**

This Logic Power Access Solutions™ stand-alone cable management tray mounts to the underside of most surfaces. It can be used with a Logic unit for cord storage, or used alone with cords routed through the back side of the unit. Tray drops down and holds cords in place while working and can be easily stowed back in place.

**Dimensions**



Thrive™ Power and Data Support

**Specification Information**

**Step 1.**

**Y1424.**

**Step 2. Size**

**17** 17" wide tray

**Prices for Steps 1-2.**

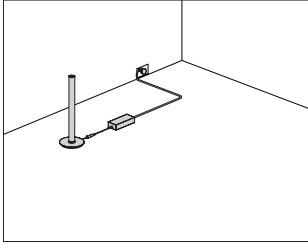
**Y1424. 17** \$323

**Step 3. Finish**

<b>SNA</b>	satin aluminum	+\$0
<b>SNB</b>	satin bronze	+\$0
<b>SNC</b>	satin carbon	+\$0
<b>91</b>	white <span style="border: 1px solid black; padding: 0 2px;">A</span>	+\$0
<b>98</b>	studio white <span style="border: 1px solid black; padding: 0 2px;">A</span>	+\$0
<b>BK</b>	black <span style="border: 1px solid black; padding: 0 2px;">A</span>	+\$0
<b>G1</b>	graphite <span style="border: 1px solid black; padding: 0 2px;">A</span>	+\$0
<b>MS</b>	metallic silver <span style="border: 1px solid black; padding: 0 2px;">A</span>	+\$0

Logic Micro Tower

Y1490.



**Product Information**

**Description**

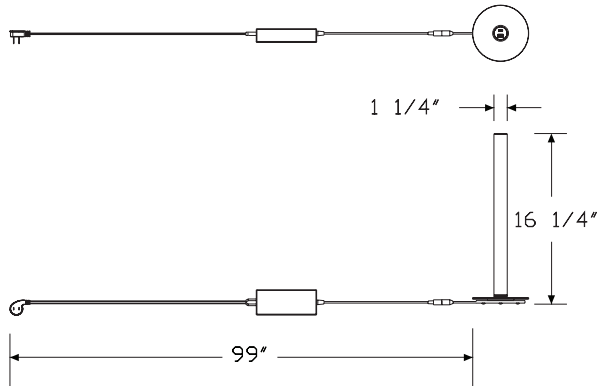
This freestanding micro tower has 1 USB-A port and 1 USB-C port. It plugs into an AC outlet and is designed to sit on the floor. It is ETL Listed. Cord is black.

**Notes**

Cord length is 8 1/4 feet.

USB-A port is rated at 12W; USB-C port is rated at 60W.

**Dimensions**



**Specification Information**

**Step 1.**

**Y1490.**  A

**Step 2. Configuration**

**1** configured with 1 USB-A port and 1 USB-C port  A

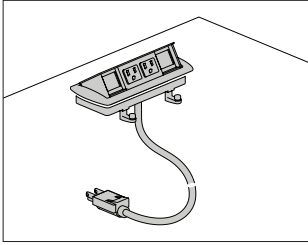
**Prices for Steps 1-2.**

**Y1490. 1** \$847

**Step 3. Surface Finish**

**Sand Texture Paint**

<b>98</b>	studio white <input type="checkbox"/> A	+\$0
<b>BK</b>	black <input type="checkbox"/> A	+\$0



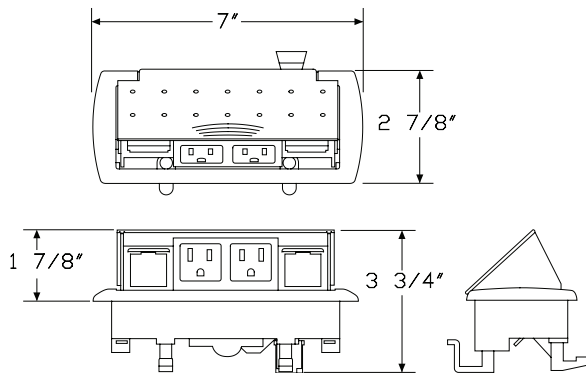
**Product Information**

**Description**  
 This electrical distributor mounts flush in a surface and has a one-touch pop-up mechanism for accessing power and data. It has 2 simplex receptacles and 2 data openings, and is available with a power cord with plug end, or electrical conduit for hardwire connection. A voice/data adapter kit is included, allowing the data openings to accept various manufacturers' couplers and jacks. Attachment hardware and cord/cable clips are also included. Product is UL listed.

**Notes**

Field cutting of surface may be required. Information on surface cutout size is included on instruction sheet.

**Dimensions**



**Specification Information**

**Step 1.**

**Y1321.**

**Step 2. Power Type**

- A** power cord with plug end
- B** conduit with open end, for hard-wiring

**Step 3. Cord/Conduit Length**

- 03** 3' cord/conduit
- 06** 6' cord/conduit
- 10** 10' cord/conduit
- 20** 20' cord/conduit

**Prices for Steps 1-3.**

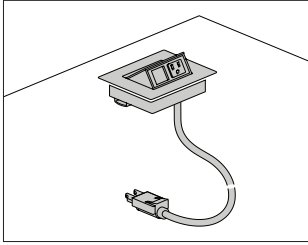
	<b>03</b>	<b>06</b>	<b>10</b>	<b>20</b>
<b>Y1321. A</b>	\$299	299	312	383
<b>B</b>	\$374	374	389	459

**Step 4. Wiring Type**

- 4Z** standard +\$0

**Step 5. Finish**

- 0H** black +\$0



**Product Information**

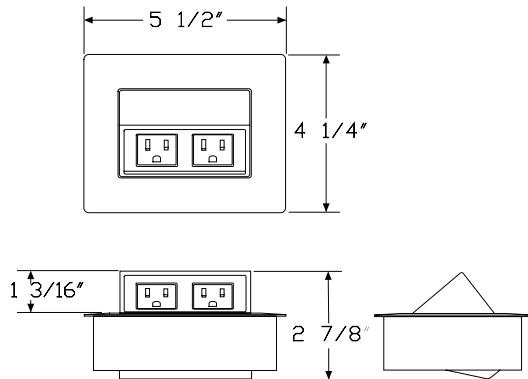
**Description**

This electrical distributor mounts flush in a surface and has a one-touch pop-up mechanism for accessing power and data. It can be configured with 2 simplex receptacles, or 1 simplex receptacle and 1 data opening. The distributor is available with a power cord with plug end, or electrical conduit for hardwire connection. A voice/data adapter kit is included, allowing the data openings to accept various manufacturers' couplers and jacks. Attachment hardware and cord/cable clips are also included. Product is UL listed.

**Notes**

Field cutting of surface may be required. Information on surface cutout size is included on instruction sheet.  
 Distributor with PVC-free wiring option (LZ) is Cradle to Cradle Silver Certified.  
 Distributor with silver finish option (OI) or white finish option (OJ) and standard wiring (4Z) has painted metal trim with white plastic simplex/data interior. Distributor with black finish option (OH) and standard wiring (4Z) has black painted trim with black plastic simplex/data interior. Distributor with PVC-free wiring option (LZ) has black plastic simplex/data interior, regardless of the finish color.

**Dimensions**



**Specification Information**

**Step 1.**

**Y1322.**

**Step 2. Configuration**

- 1** 1 simplex receptacle, 1 data opening
- 2** 2 simplex receptacles

**Step 3. Power Type**

- A** power cord with plug end
- B** conduit with open end, for hard-wiring

**Step 4. Cord/Conduit Length**

- 03** 3' cord/conduit
- 06** 6' cord/conduit
- 10** 10' cord/conduit
- 20** 20' cord/conduit

**Prices for Steps 1-4.**

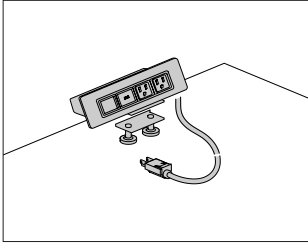
		<b>03</b>	<b>06</b>	<b>10</b>	<b>20</b>
<b>Y1322. 1</b>	<b>A</b>	\$355	355	367	437
	<b>B</b>	\$429	429	441	509
	<b>2 A</b>	\$374	374	389	459
	<b>B</b>	\$450	450	465	535

**Step 5. Wiring Type**

- 4Z** standard +\$0
- LZ** PVC-free +\$39

**Step 6. Finish**

- OH** black +\$0
- OI** silver +\$0
- OJ** white +\$0



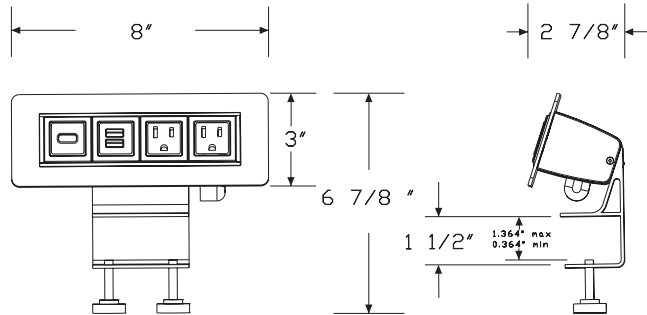
**Product Information**

**Description**  
 This electrical distributor can grommet-mount flush in a surface, or clamp-mount to the edge. It can be configured with several combinations of simplex receptacles, data openings, and USB charging ports. The distributor is available with a power cord with plug end, or electrical conduit for hardwire connection. A voice/data adapter kit is included, allowing the data openings to accept various manufacturers' couplers and jacks. Attachment hardware and cord/cable clips are also included. Product is UL listed.

**Notes**

Field cutting of surface may be required. Information on surface cutout size is included on instruction sheet.  
 Silver option (0I) and white option (0J) have painted metal trim with white plastic simplex/data interiors. Black option (0H) has black painted trim with black plastic simplex/data interior.  
 Overall width for distributor with 4 openings is 8" wide. Overall width for distributor with 6 openings is 11" wide.  
 USB port charges at 2.1 amps.

**Dimensions**



**Specification Information**

**Step 1.**

**Y1323.**

**Step 2. Configuration**

- 3** 2 simplex receptacles, 2 data openings
- 4** 3 simplex receptacles, 3 data openings
- 5** 2 simplex receptacles, 1 data opening, 1 charging USB port
- 6** 3 simplex receptacles, 2 data opening, 1 charging USB port

**Step 3. Power Type**

- A** power cord with plug end
- B** conduit with open end, for hard-wiring

**Step 4. Cord/Conduit Length**

- 03** 3' cord/conduit
- 06** 6' cord/conduit
- 10** 10' cord/conduit
- 20** 20' cord/conduit

**Step 5. Attachment**

- G** grommet mount
- S** surface clamp

**Prices for Steps 1-5.**

			<b>03G</b>	<b>03S</b>	<b>06G</b>	<b>06S</b>	<b>10G</b>	<b>10S</b>
<b>Y1323. 3</b>	<b>A</b>		\$402	402	402	402	420	420
	<b>B</b>		\$478	478	478	478	495	495
<b>4</b>	<b>A</b>		\$501	501	501	501	514	514
	<b>B</b>		\$581	581	581	581	595	595
<b>5</b>	<b>A</b>		\$563	563	563	563	579	579
	<b>B</b>		\$642	642	642	642	654	654
<b>6</b>	<b>A</b>		\$661	661	661	661	678	678
	<b>B</b>		\$741	741	741	741	755	755

**20G 20S**

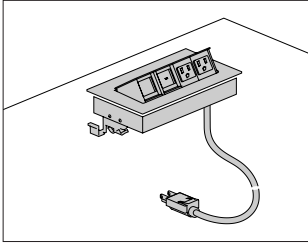
<b>Y1323. 3</b>	<b>A</b>						\$489	489
	<b>B</b>						\$561	561
<b>4</b>	<b>A</b>						\$588	588
	<b>B</b>						\$661	661
<b>5</b>	<b>A</b>						\$648	648
	<b>B</b>						\$750	750
<b>6</b>	<b>A</b>						\$745	745
	<b>B</b>						\$853	853



Connect™-S300 *continued*

---

Step 6. Finish		
<b>OH</b>	black	+\$0
<b>OI</b>	silver	+\$0
<b>OJ</b>	white	+\$0



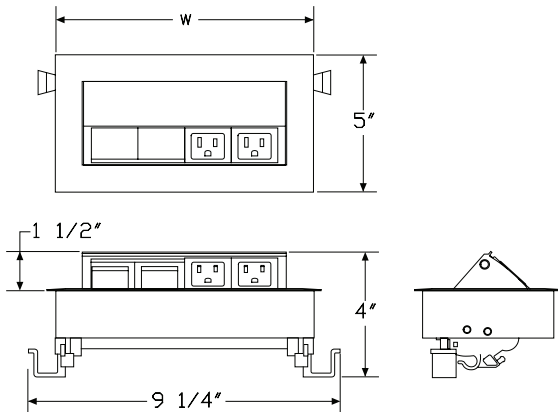
**Product Information**

**Description**  
 This electrical distributor mounts flush in a surface and has a one-touch pop-up mechanism for accessing power and data. It can be configured with several combinations of simplex receptacles, data openings, and USB charging ports. The distributor is available with a power cord with plug end, or electrical conduit for hardwire connection. A voice/data adapter kit is included, allowing the data openings to accept various manufacturers' couplers and jacks. Attachment hardware and cord/cable clips are also included. Product is UL listed.

**Notes**

Field cutting of surface may be required. Information on surface cutout size is included on instruction sheet.  
 Distributor with PVC-free wiring option (LZ) is Cradle to Cradle Silver Certified.  
 Distributor with silver anodized finish option (OK) and standard wiring (4Z) has anodized trim with white plastic simplex/data interior.  
 Distributor with silver anodized finish option (OK) and PVC-free wiring (LZ) has anodized trim with black plastic simplex/data interior.  
 Overall width for distributor with openings is 8 3/4" wide. Overall width for distributor with 7 openings is 12 3/4" wide.  
 USB port charges at 2.1 amps.

**Dimensions**



**Specification Information**

**Step 1.**

**Y1324.**

**Step 2. Configuration**

- 3** 2 simplex receptacles, 2 data openings
- 5** 3 simplex receptacles, 4 data openings
- 6** 2 simplex receptacles, 1 data opening, 1 charging USB port
- 7** 3 simplex receptacles, 3 data opening, 1 charging USB port
- 8** 3 simplex receptacles, 2 data opening, 2 charging USB ports

**Step 3. Power Type**

- A** power cord with plug end
- B** conduit with open end, for hard-wiring

**Step 4. Cord/Conduit Length**

- 03** 3' cord/conduit
- 06** 6' cord/conduit
- 10** 10' cord/conduit
- 20** 20' cord/conduit

**Prices for Steps 1-4.**

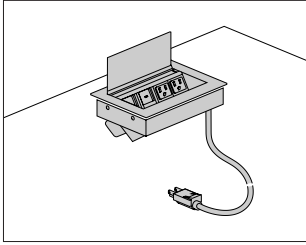
		<b>03</b>	<b>06</b>	<b>10</b>	<b>20</b>
<b>Y1324. 3</b>	<b>A</b>	\$561	561	576	646
	<b>B</b>	\$637	637	654	721
<b>5</b>	<b>A</b>	\$720	720	735	803
	<b>B</b>	\$797	797	806	874
<b>6</b>	<b>A</b>	\$721	721	735	803
	<b>B</b>	\$800	800	814	884
<b>7</b>	<b>A</b>	\$880	880	898	967
	<b>B</b>	\$959	959	970	1037
<b>8</b>	<b>A</b>	\$1041	1041	1055	1126
	<b>B</b>	\$1120	1120	1130	1196

**Step 5. Wiring Type**

- 4Z** standard +\$0
- LZ** PVC-free +\$39

**Step 6. Finish**

- OK** silver anodized +\$0



**Product Information**

**Description**

This electrical distributor mounts flush in a surface and has a flip-up lid for accessing power and data from above or below the surface. The flip lid can be closed once devices are connected for a clean visual appearance. It can be configured with several combinations of simplex receptacles, data openings, and USB charging ports. The distributor is available with a power cord with plug end, or electrical conduit for hardwire connection. A voice/data adapter kit is included, allowing the data openings to accept various manufacturers' couplers and jacks. Attachment hardware and cord/cable clips are also included. Product is UL listed.

**Notes**

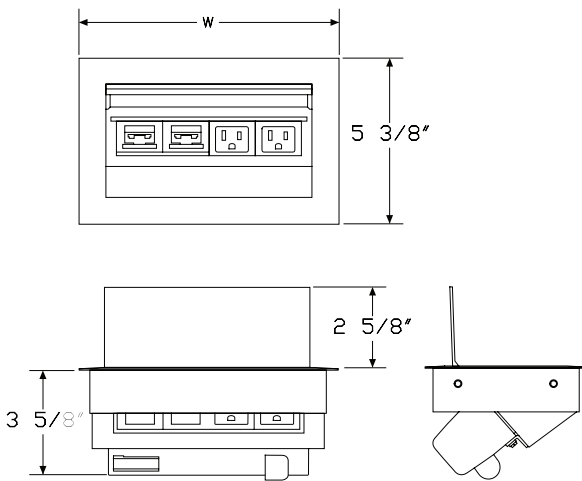
Field cutting of surface may be required. Information on surface cutout size is included on instruction sheet.

Silver anodized option (OK) has anodized trim with white plastic simplex/data interior.

Overall width for distributor with 4 openings is 8<sup>3</sup>/<sub>8</sub>" wide. Overall width for distributor with 6 openings is 11<sup>3</sup>/<sub>8</sub>" wide.

USB port charges at 2.1 amps.

**Dimensions**



**Specification Information**

**Step 1.**

**Y1325.**

**Step 2. Configuration**

<b>3</b>	2 simplex receptacles, 2 data openings
<b>7</b>	3 simplex receptacles, 3 data openings
<b>5</b>	2 simplex receptacles, 1 data opening, 1 charging USB port
<b>6</b>	3 simplex receptacles, 2 data opening, 1 charging USB port

**Step 3. Power Type**

<b>A</b>	power cord with plug end
<b>B</b>	conduit with open end, for hard-wiring

**Step 4. Cord/Conduit Length**

<b>03</b>	3' cord/conduit
<b>06</b>	6' cord/conduit
<b>10</b>	10' cord/conduit
<b>20</b>	20' cord/conduit

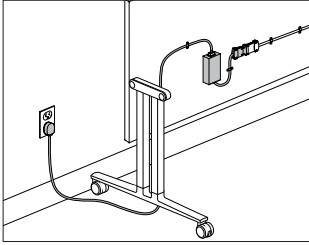
**Prices for Steps 1-4.**

		<b>03</b>	<b>06</b>	<b>10</b>	<b>20</b>
<b>Y1325. 3</b>	<b>A</b>	\$660	660	677	744
	<b>B</b>	\$739	739	750	819
<b>7</b>	<b>A</b>	\$759	759	777	844
	<b>B</b>	\$838	838	852	922
<b>5</b>	<b>A</b>	\$824	824	838	906
	<b>B</b>	\$901	901	913	980
<b>6</b>	<b>A</b>	\$922	922	936	1007
	<b>B</b>	\$998	998	1014	1081

**Step 5. Finish**

<b>OK</b>	silver anodized				+ \$0
-----------	-----------------	--	--	--	-------

# Connect™ Single Circuit Electrical Power Entry Y1377.



Thrive™ Power and Data Support

## Product Information

### Description

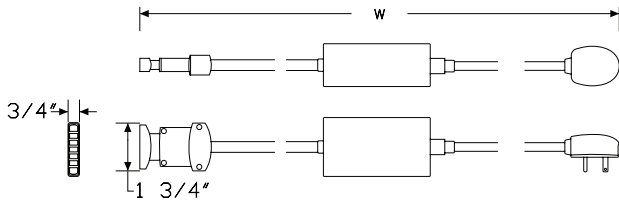
This standard receptacle 15-amp power entry provides power for single circuit electrical distributors. Up to 8 single circuit modular electrical distributors can be daisy chained and connected in any order. If more than 8 units are connected to this power entry, the system automatically shuts down and a red LED illuminates. A green LED indicates that more units can be connected and the system is ready. Standard attachment hardware is included.

### Notes

UL listed when used in conjunction with most Everywhere™ fixed height tables.

Order electrical distributors (Y1372., Y1373., Y1374., Y1375.) and single circuit jumpers (Y1378.) separately.

## Dimensions



## Specification Information

### Step 1.

**Y1377.**

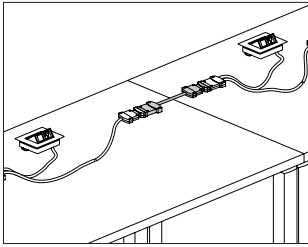
### Step 2. Cord Length

**06** 6' long  
**10** 10' long

### Prices for Steps 1-2.

<b>Y1377. 06</b>	\$658
<b>10</b>	\$691

# Connect™ Single Circuit Electrical Y1378. By-Pass Jumper



## Product Information

### Description

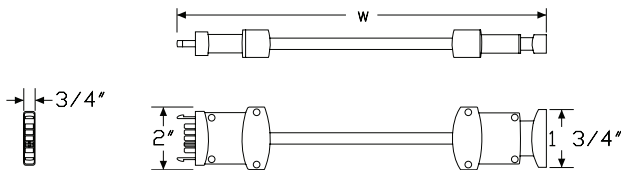
This electrical jumper provides additional length for the Connect™ single circuit modular electrical system. Jumpers are available in a variety of lengths and count as one of the 8 electrical distributors allowed per power entry.

### Notes

UL listed when used in conjunction with most Everywhere™ fixed height tables.

Order electrical distributors (Y1372., Y1373., Y1374., Y1375.) and single circuit power entry (Y1377.) separately.

### Dimensions



## Specification Information

### Step 1.

#### Y1378.

### Step 2. Cord Length

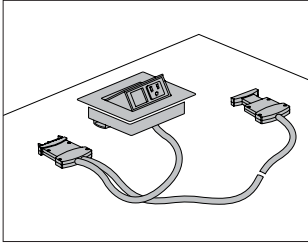
<b>12</b>	12" long
<b>24</b>	24" long
<b>36</b>	36" long
<b>48</b>	48" long
<b>60</b>	60" long

### Prices for Steps 1-2.

<b>Y1378. 12</b>	\$139
<b>24</b>	\$150
<b>36</b>	\$165
<b>48</b>	\$178
<b>60</b>	\$188

# Connect™ - S720 - Connect Single Circuit Power Unit

Y1372.



Thrive™ Power and Data Support

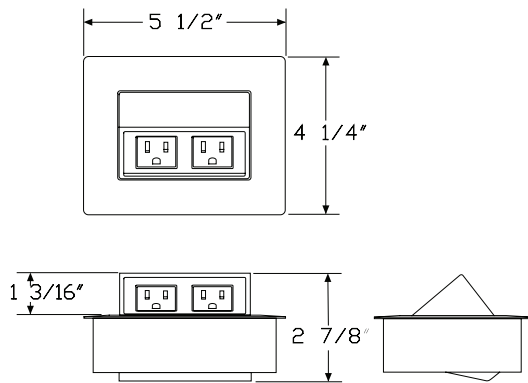
## Product Information

**Description**  
This dedicated modular single circuit electrical distributor mounts flush in a surface and has a one-touch pop-up mechanism for accessing power and data. It can be configured with 2 simplex receptacles, or 1 simplex receptacle and 1 data opening. Cord length is 60". A maximum of 8 single circuit electrical distributors can be daisy chained per power entry. A voice/data adapter kit is included, allowing the data openings to accept various manufacturers couplers and jacks. Attachment hardware and cord/cable clips are also included.

## Notes

Field cutting of surface may be required. For information on surface cutout size, see included instruction sheet.  
 UL listed when used in conjunction with most Everywhere™ fixed height tables.  
 To gang tables together per electrical code requirements, order ganging bracket kit (Y1338.) separately.  
 Order single circuit power entry (Y1377.) separately.  
 Where lengths of greater than 60" are needed, order single circuit jumpers (Y1378.) separately. Each single circuit jumper counts toward the 8 allowed electrical distributors per power entry.  
 Silver option (OI) and white option (OJ) have painted metal trim with white plastic simplex/data interiors. Black option (OH) has black painted trim with black plastic simplex/data interior.

## Dimensions



## Specification Information

### Step 1.

**Y1372.**

### Step 2. Configuration

- 1** 1 simplex receptacle, 1 data opening
- 2** 2 simplex receptacles

### Step 3. Cord Length

**60** 60" long

### Prices for Steps 1-3.

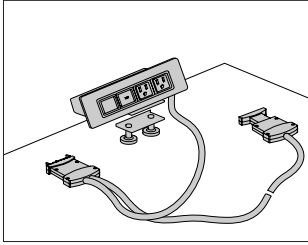
	<b>60</b>
<b>Y1372. 1</b>	\$514
<b>2</b>	\$536

### Step 4. Finish

<b>OH</b>	black	+\$0
<b>OI</b>	silver	+\$0
<b>OJ</b>	white	+\$0

# Connect™ - S730 - Connect Single Circuit Power Unit

Y1373.



## Product Information

### Description

This dedicated modular single circuit electrical distributor mounts flush in a surface or with an edge clamp mount. It has 2 simplex receptacles and 2 data openings, or 2 simplex receptacles and 1 data opening and 1 USB charging port, and a 60" cord. A maximum of 8 single circuit electrical distributors can be daisy chained per power entry. A voice/data adapter kit is included, allowing the data openings to accept various manufacturers' couplers and jacks. Attachment hardware and cord/cable clips are also included.

### Notes

Field cutting of surface may be required. For information on surface cutout size, see included instruction sheet.

UL listed when used in conjunction with most Everywhere™ fixed height tables.

To gang tables together per electrical code requirements, order ganging bracket kit (Y1338.) separately.

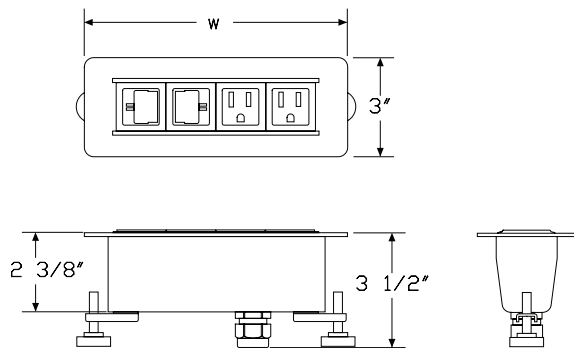
Order single circuit power entry (Y1377.) separately.

Where lengths of greater than 60" are needed, order single circuit jumpers (Y1378.) separately. Each single circuit jumper counts toward the 8 allowed electrical distributors per power entry.

Silver option (OI) and white option (OJ) have painted metal trim with white plastic simplex/data interiors. Black option (OH) has black painted trim with black plastic simplex/data interior.

USB port charges at 2.1 amps.

## Dimensions



## Specification Information

### Step 1.

**Y1373.**

### Step 2. Configuration

- 3** 2 simplex receptacles, 2 data openings
- 4** 2 simplex receptacles, 1 data opening, 1 charging USB port

### Step 3. Cord Length

**60** 60" long

### Step 4. Attachment

- G** grommet mount
- S** surface clamp

### Prices for Steps 1-4.

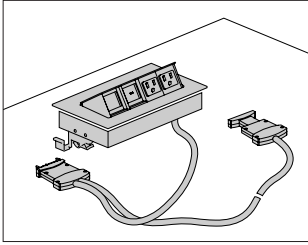
		<b>G</b>	<b>S</b>
<b>Y1373. 3</b>	<b>60</b>	\$581	563
	<b>4 60</b>	\$741	727

### Step 5. Finish

- OH** black +\$0
- OI** silver +\$0
- OJ** white +\$0

Connect™ - S740 - Connect  
Single Circuit Power Unit

Y1374.



Thrive™ Power and Data Support

**Product Information**

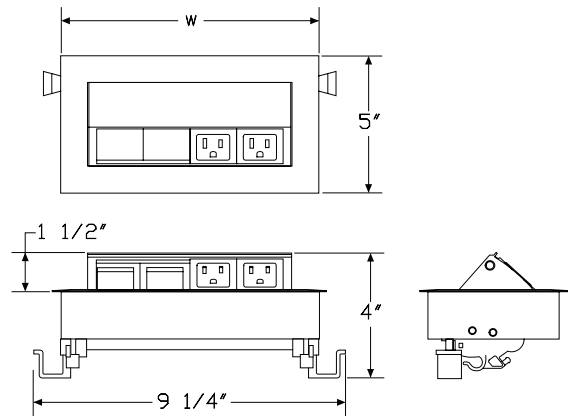
**Description**

This dedicated modular single circuit electrical distributor mounts flush in a surface and has a one-touch pop-up mechanism for accessing power and data. It has 2 simplex receptacles and 2 data openings, or 2 simplex receptacles and 1 data opening and 1 USB charging port, and a 60" cord. A maximum of 8 single circuit electrical distributors can be daisy chained per power entry. A voice/data adapter kit is included, allowing the data openings to accept various manufacturers' couplers and jacks. Attachment hardware and cord/cable clips are also included.

**Notes**

- Field cutting of surface may be required. For information on surface cutout size, see included instruction sheet.
- UL listed when used in conjunction with most Everywhere™ fixed height tables.
- To gang tables together per electrical code requirements, order ganging bracket kit (Y1338.) separately.
- Order single circuit power entry (Y1377.) separately.
- Where lengths of greater than 60" are needed, order single circuit jumpers (Y1378.) separately. Each single circuit jumper counts toward the 8 allowed electrical distributors per power entry.
- Silver anodized option (OK) has anodized trim with white plastic simplex/data interior.
- Overall width for distributor with 4 openings is 8 1/4" wide.
- USB port charges at 2.1 amps.

**Dimensions**





# Connect™ - S740 - Connect

## Single Circuit Power Unit *continued*

### Specification Information

Step 1.

**Y1374.**

### Step 2. Configuration

**3** 2 simplex receptacles, 2 data openings

**4** 2 simplex receptacles, 1 data opening, 1 charging USB port

### Step 3. Cord Length

**60** 60" long

### Prices for Steps 1-3.

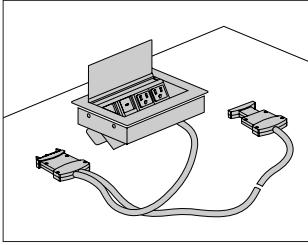
	<b>60</b>
<b>Y1374. 3</b>	\$719
<b>4</b>	\$878

### Step 4. Finish

**OK** silver anodized +\$0

# Connect™ - S750 - Connect Single Circuit Power Unit

Y1375.



## Product Information

### Description

This dedicated modular single circuit electrical distributor mounts flush in a surface and has a flip-up lid for accessing power and data from above or below the surface. The lid can be closed once devices are connected for a clean visual appearance. The distributor has 2 simplex receptacles and 2 data openings, or 2 simplex receptacles and 1 data opening and 1 USB charging port, and a 60" cord. A maximum of 8 single circuit electrical distributors can be daisy chained per power entry. A voice/data adapter kit is included, allowing the data openings to accept various manufacturers' couplers and jacks. Attachment hardware and cord/cable clips are also included.

### Notes

Field cutting of surface may be required. For information on surface cutout size, see included instruction sheet.

UL listed when used in conjunction with most Everywhere™ fixed height tables.

To gang tables together per electrical code requirements, order ganging bracket kit (Y1338.) separately.

Order single circuit power entry (Y1377.) separately.

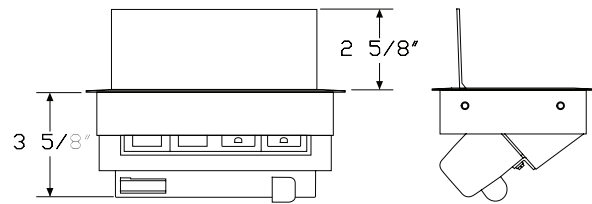
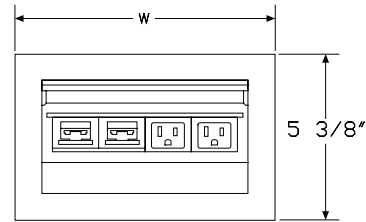
Where lengths of greater than 60" are needed, order single circuit jumpers (Y1378.) separately. Each single circuit jumper counts toward the 8 allowed electrical distributors per power entry.

Silver anodized option (OK) has anodized trim with white plastic simplex/data interior.

Overall width for distributor with 4 openings is 8<sup>3</sup>/<sub>8</sub>" wide.

USB port charges at 2.1 amps.

## Dimensions



# Connect™ - S750 - Connect

## Single Circuit Power Unit *continued*

### Specification Information

Step 1.

**Y1375.**

### Step 2. Configuration

**3** 2 simplex receptacles, 2 data openings

**4** 2 simplex receptacles, 1 data opening, 1 charging USB port

### Step 3. Cord Length

**60** 60" long

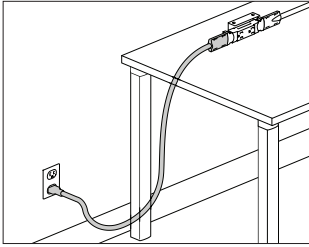
### Prices for Steps 1-3.

	<b>60</b>
<b>Y1375. 3</b>	\$815
<b>4</b>	\$977

### Step 4. Finish

**OK** silver anodized +\$0

# Connect™-Power Entry with Plug End, 20 Amp Y1342.



Thrive™ Power and Data Support

## Product Information

### Description

This corded power entry brings power from a building's 20-amp electrical outlet to the end of a 2 circuit duplex receptacle. It distributes 1 circuit only. UL/CUL recognized.

### Notes

Only Connect™ duplex receptacle, 2-circuit, 15 amp circuit I (Y1345.1) receptacles can be used with this product as circuit I is the only active circuit.

Connect modular power products are not compatible with electrical components used in Herman Miller systems or desking product lines.

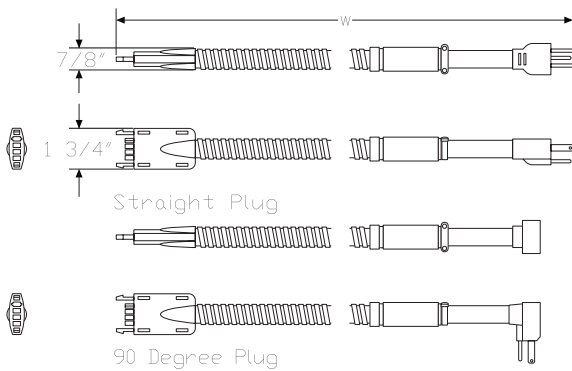
When routing power to an adjacent desk or table, surfaces must be ganged together. Order ganging bracket kit (Y1338.) separately.

When using power entry with plug end, electrical system will be UL recognized, not UL listed.

Power entry does not meet requirements for use in San Francisco.

Power entry has a combination of black liquid tight conduit and 3/8" silver metallic conduit.

## Dimensions



## Specification Information

### Step 1.

**Y1342.**

### Step 2. Length

**06** 6' long  
**10** 10' long

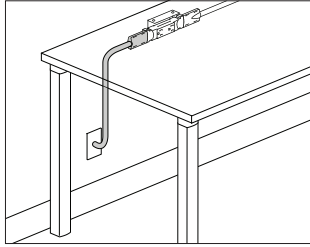
### Step 3. Plug Type

**A** straight plug  
**B** 90° plug

### Prices for Steps 1-3.

	A	B
<b>Y1342. 06</b>	\$303	303
<b>10</b>	\$354	354

# Connect™-Power Entry, 2-Circuit Y1341.



## Product Information

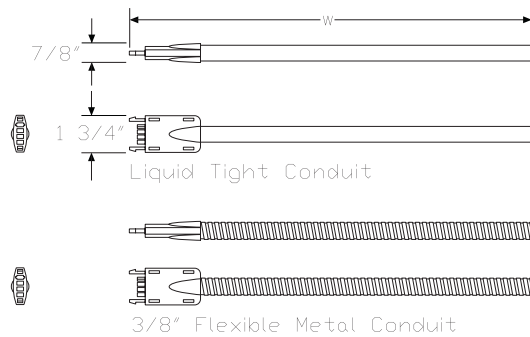
### Description

This power entry connects a building's electrical from a wall, floor, or column to the end of a 2 circuit duplex receptacle and distributes up to 2 20-amp circuits. UL 183 listed, CUL Certified.

### Notes

Connect™ modular power products are not compatible with electrical components used in Herman Miller systems or desking product lines. When routing power to an adjacent desk or table, surfaces must be ganged together. Order ganging bracket kit (Y1338.) separately. Power entry can be field cut to the appropriate length. For San Francisco, specify 3/8" flex metallic conduit option (C). Finish color on liquid tight conduit is black. Finish color on metallic conduit is silver. A licensed electrician must wire the power entry to the building's electrical system.

## Dimensions



## Specification Information

### Step 1.

**Y1341.**

### Step 2. Length

<b>06</b>	6' long
<b>12</b>	12' long
<b>18</b>	18' long
<b>24</b>	24' long

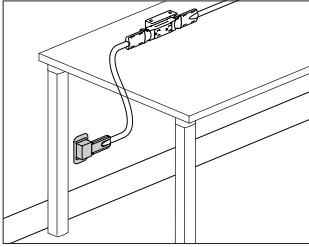
### Step 3. Conduit Type

<b>L</b>	liquid tight conduit
<b>C</b>	3/8" flex metallic conduit

### Prices for Steps 1-3.

	<b>L</b>	<b>C</b>
<b>Y1341. 06</b>	\$203	203
<b>12</b>	\$267	267
<b>18</b>	\$331	331
<b>24</b>	\$410	410

**Connect™ - Modular Power Entry, Y1349.  
2 Circuit, Architectural Wall  
Receptacle Box**



**Product Information**

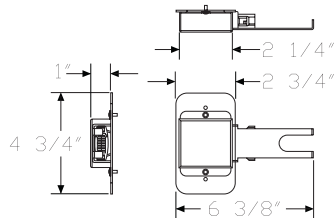
**Description**

This black receptacle box provides a modular power connection to building power at the wall in a standard receptacle box allowing for the electrical jumper to be easily removed when not in use. Product is UL listed when installed by a licensed electrician.

**Notes**

Connect™ modular power products are not compatible with electrical components used in Herman Miller systems or desking product lines. Includes mounting plate, modular connection with wiring, and cover. Jumper (Y1343.) plugs into the receptacle box modular power entry. Works with Connect 2-circuit products only.

**Dimensions**



**Specification Information**

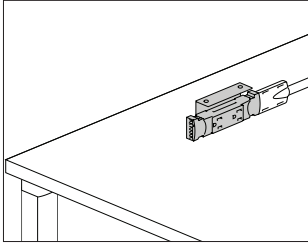
**Step 1.**

**Y1349.**

**\$152**

# Connect™-Duplex Receptacle, Y1345.

## 2-Circuit, 15 Amp



### Product Information

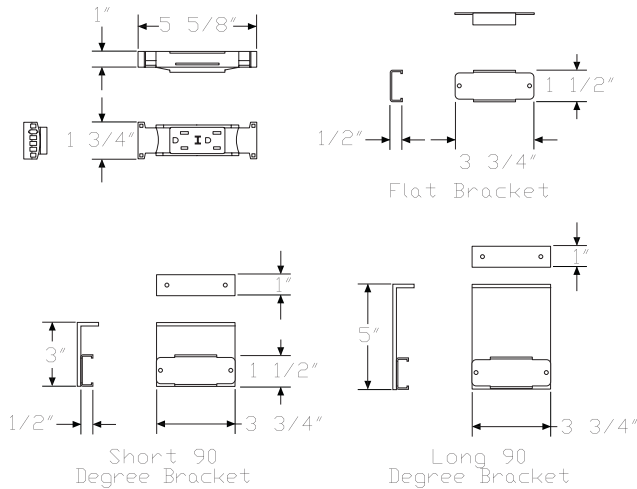
#### Description

This duplex receptacle attaches beneath a desk or table to provide electrical access. It has connection points at both ends for attaching a power entry or 2-circuit power jumper. Finish is black. Attachment bracket and hardware included. UL 183 listed, CUL Certified.

#### Notes

Connect™ modular power products are not compatible with electrical components used in Herman Miller systems or desking product lines. When routing power to an adjacent desk or table, surfaces must be ganged together. Order ganging bracket kit (Y1338.) separately. Receptacle is labeled as I or II for circuit identification. To route power from building to receptacle, order power entry, 2-circuit (Y1341.) or power entry with plug end, 20 amp (Y1342.) separately. Power entry with plug end distributes 1 circuit only. To route power between receptacles, order power jumper, 2-circuit (Y1343.) separately.

### Dimensions



### Specification Information

#### Step 1.

**Y1345.**

#### Step 2. Circuit

- 1 circuit I
- 2 circuit II

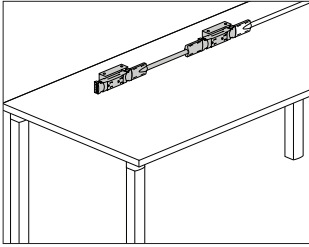
#### Step 3. Attachment Hardware

- A** flat attachment to underside of surface
- B** short 90° attachment to underside of surface
- C** long 90° attachment to underside of surface

#### Prices for Steps 1-3.

	A	B	C
<b>Y1345. 1</b>	\$105	114	114
<b>2</b>	\$105	114	114

# Connect™-Dual Receptacle Power Kit, 2-Circuit Y1340.



## Product Information

### Description

This single-sided power kit attaches to the underside of a desk or table to provide electrical access and distributes up to 2 20-amp circuits. Receptacles, power jumper, conduit clamps, and attachment hardware included. UL 183 listed, CUL Certified.

### Notes

Connect™ modular power products are not compatible with electrical components used in Herman Miller systems or desking product lines. Match width of power kit to width of surface.

When routing power to an adjacent desk or table, surfaces must be ganged together. Order ganging bracket kit (Y1338.) separately.

Receptacles are labeled as I or II for circuit identification.

36"-wide power kit uses a receptacle-to-receptacle block connector in place of a jumper to connect the receptacles together.

To route power from building to power kit, order power entry, 2-circuit (Y1341.) or power entry with plug end, 20 amp (Y1342.) separately.

Power entry with plug end distributes 1 circuit only.

To connect power kits between adjacent desks or tables, order power jumper, 2-circuit (Y1343.) separately.

For San Francisco, specify 3/8" flex metallic conduit option (C).

Receptacle finish is black. Finish color on liquid tight conduit is black.

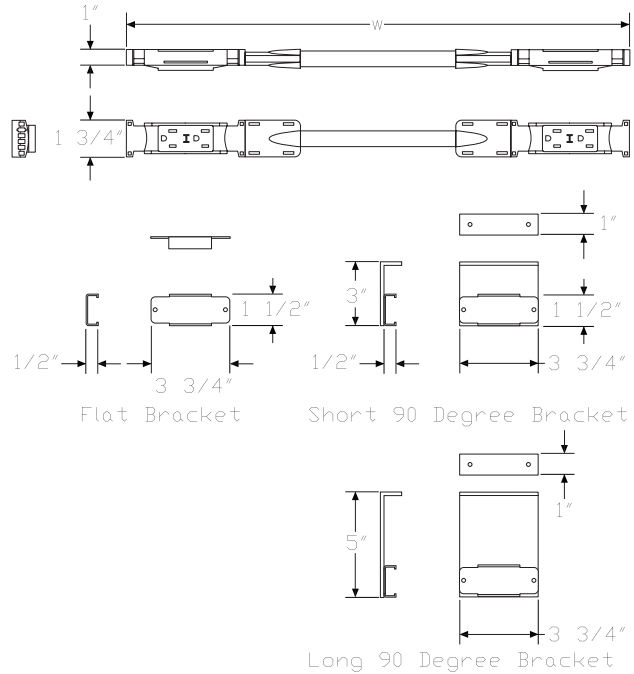
Finish on metallic conduit is silver.

36" - 54" wide kits have no conduit clips. 60" - 78" wide kits include 1 conduit clip. 84" - 96" wide kits include 2 conduit clips.

To attach kit flush to bottom of surface, with receptacles facing down, specify flat attachment to underside of surface option (A).

To attach kit perpendicular to bottom of surface, specify short 90° attachment to underside of surface option (B).

## Dimensions





# Connect™-Dual Receptacle Power Kit, 2-Circuit *continued*

## Specification Information

### Step 1.

**Y1340.**

### Step 2. Width

<b>36</b>	36" wide
<b>42</b>	42" wide
<b>48</b>	48" wide
<b>54</b>	54" wide
<b>60</b>	60" wide
<b>66</b>	66" wide
<b>72</b>	72" wide
<b>78</b>	78" wide
<b>84</b>	84" wide
<b>90</b>	90" wide
<b>96</b>	96" wide

### Step 3. Conduit Type

<b>L</b>	liquid tight conduit
<b>C</b>	3/8" flex metallic conduit

### Step 4. Circuit

<b>1</b>	circuit I
<b>2</b>	circuit II

### Step 5. Attachment Hardware

<b>A</b>	flat attachment to underside of surface
<b>B</b>	short 90° attachment to underside of surface
<b>C</b>	long 90° attachment to underside of surface

### Prices for Steps 1-5.

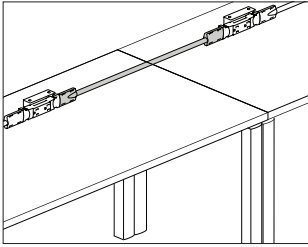
	<b>1A</b>	<b>1B</b>	<b>1C</b>	<b>2A</b>	<b>2B</b>	<b>2C</b>
<b>Y1340. 36 L</b>	\$221	230	230	221	230	230
<b>C</b>	\$221	230	230	221	230	230
<b>42 L</b>	\$246	253	253	246	253	253
<b>C</b>	\$246	253	253	246	253	253
<b>48 L</b>	\$251	258	258	251	258	258
<b>C</b>	\$251	258	258	251	258	258
<b>54 L</b>	\$258	268	268	258	268	268
<b>C</b>	\$258	268	268	258	268	268
<b>60 L</b>	\$267	279	279	267	279	279
<b>C</b>	\$267	279	279	267	279	279
<b>66 L</b>	\$274	285	285	274	285	285
<b>C</b>	\$274	285	285	274	285	285
<b>72 L</b>	\$283	290	290	283	290	290
<b>C</b>	\$283	290	290	283	290	290

<b>78 L</b>	\$288	295	295	288	295	295
<b>C</b>	\$288	295	295	288	295	295
<b>84 L</b>	\$294	301	301	294	301	301
<b>C</b>	\$294	301	301	294	301	301
<b>90 L</b>	\$301	306	306	301	306	306
<b>C</b>	\$301	306	306	301	306	306
<b>96 L</b>	\$305	314	314	305	314	314
<b>C</b>	\$305	314	314	305	314	314

Thrive™ Power and Data Support

# Connect™-Jumper, 2-Circuit

Y1343.



Thrive™ Power and Data Support

## Product Information

### Description

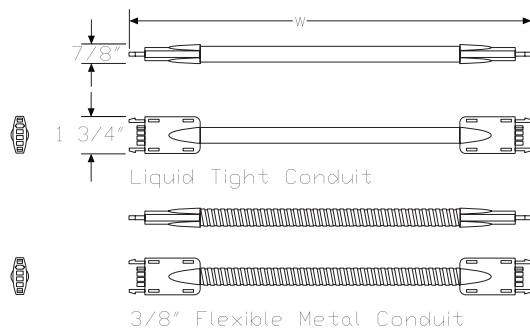
This power jumper distributes up to 2 20-amp circuits. It can be used between 2 receptacles or between 2 dual receptacle power kits. UL 183 listed, CUL Certified.

### Notes

Connect™ modular power products are not compatible with electrical components used in Herman Miller systems or desking product lines. When routing power to an adjacent desk or table, surfaces must be ganged together. Order ganging bracket kit (Y1338.) separately. For San Francisco, specify 3/8" flex metallic conduit option (C). When connecting dual receptacle power kits (Y1340.) between adjacent surfaces in a linear run, specify 24"-wide jumper. When connecting dual receptacle power kits (Y1340.) at the outside corner of 2 24"-deep surfaces at 90°, specify 42"-wide jumper. When connecting dual receptacle power kits (Y1340.) at the outside corner of 2 30"-deep surfaces at 90°, specify 48"-wide jumper. When connecting dual receptacle power kits (Y1340.) at the outside corner of 1 30"-deep and 1 24"-deep surface, specify 48"-wide jumper. When connecting dual receptacle power kits (Y1340.) at the inside corner of 2 24"- or 30"-deep surfaces, specify 30"-wide jumper. Order the following products separately:

- 2-circuit dual receptacle power kit (Y1340.) or duplex receptacle, 2-circuit, 15 amp (Y1345.)
- Conduit clamps (Y1339.)
- Receptacle bracket (Y1347.) - for duplex receptacle, 2-circuit

## Dimensions



## Specification Information

### Step 1.

**Y1343.**

### Step 2. Width

06	6" wide
09	9" wide
12	12" wide
18	18" wide
24	24" wide
30	30" wide
36	36" wide
42	42" wide
48	48" wide
54	54" wide
60	60" wide
66	66" wide
72	72" wide
78	78" wide
84	84" wide
90	90" wide
96	96" wide
108	108" wide
120	120" wide
132	132" wide
144	144" wide

### Step 3. Conduit Type

L	liquid tight conduit
C	3/8" flex metallic conduit

# Connect™-Jumper, 2-Circuit

*continued*

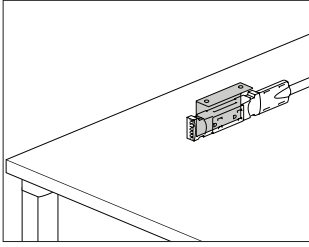
---

Prices for Steps 1-3.

---

	L	C
<b>Y1343.06</b>	\$82	82
<b>09</b>	\$86	86
<b>12</b>	\$89	89
<b>18</b>	\$95	95
<b>24</b>	\$102	102
<b>30</b>	\$107	107
<b>36</b>	\$115	115
<b>42</b>	\$119	119
<b>48</b>	\$123	123
<b>54</b>	\$132	132
<b>60</b>	\$140	140
<b>66</b>	\$146	146
<b>72</b>	\$151	151
<b>78</b>	\$158	158
<b>84</b>	\$167	167
<b>90</b>	\$173	173
<b>96</b>	\$181	181
<b>108</b>	\$192	192
<b>120</b>	\$205	205
<b>132</b>	\$220	220
<b>144</b>	\$232	232

# Connect™-Receptacle Brackets, Y1347. 2-Circuit



Thrive™ Power and Data Support

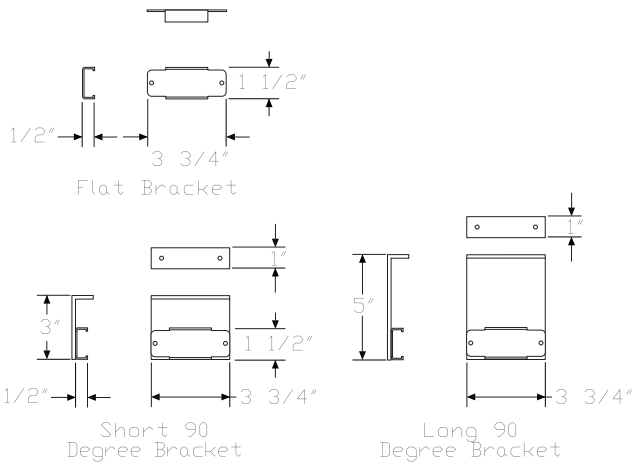
## Product Information

**Description**  
 This bracket attaches a 2-circuit receptacle to a desk or table. Finish is black. Package of 10.

## Notes

Connect™ modular power products are not compatible with electrical components used in Herman Miller systems or desking product lines. To attach receptacle flush to bottom of surface, facing down, specify flat attachment to underside of surface option (A). To attach receptacle perpendicular to bottom of surface, specify short 90° attachment to underside of surface option (B). Order duplex receptacle, 2-circuit, 15 amp (Y1345.) separately.

## Dimensions



## Specification Information

**Step 1.**  
**Y1347.**

## Step 2. Attachment Hardware

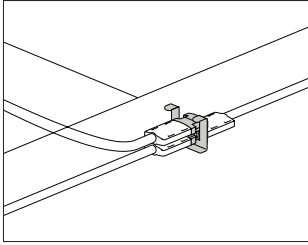
- A** flat attachment to underside of surface
- B** short 90° attachment to underside of surface
- C** long 90° attachment to underside of surface

## Prices for Steps 1-2.

<b>Y1347. A</b>	\$87
<b>B</b>	\$134
<b>C</b>	\$134

# Connect™-Block Connector, 2-Circuit

Y1344.



## Product Information

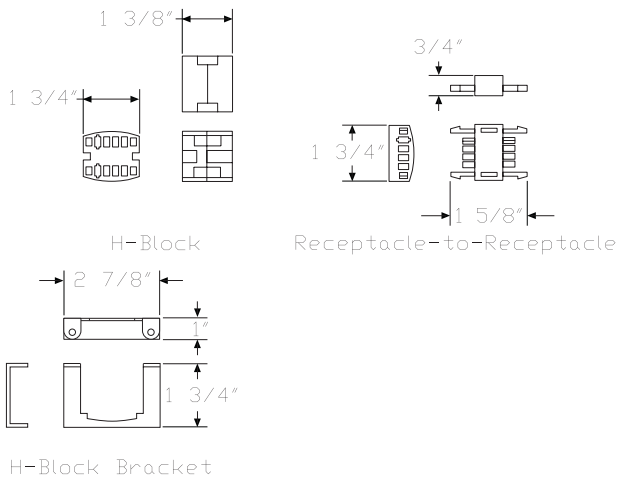
### Description

This block connects components together to distribute power. The H-block connector connects jumpers together at 2-, 3-, and 4-way connection points, or distributes power from a power entry to multiple components. The receptacle-to-receptacle connector connects 2 receptacles together. Finish is black. Attachment hardware included. UL 183 listed, CUL Certified.

### Notes

Connect™ modular power products are not compatible with electrical components used in Herman Miller systems or desking product lines. When routing power to an adjacent desk or table, surfaces must be ganged together. Order ganging bracket kit (Y1338.) separately.

## Dimensions



## Specification Information

### Step 1.

**Y1344.**

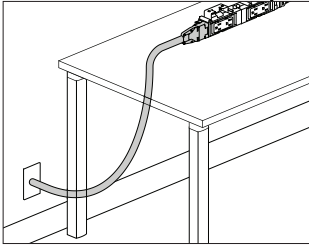
### Step 2. Connector Type

<b>H</b>	H-block connector
<b>R</b>	receptacle-to-receptacle block connector

### Prices for Steps 1-2.

<b>Y1344. H</b>	\$52
<b>R</b>	\$40

# Connect™-Power Entry, 4-Circuit Y1351.



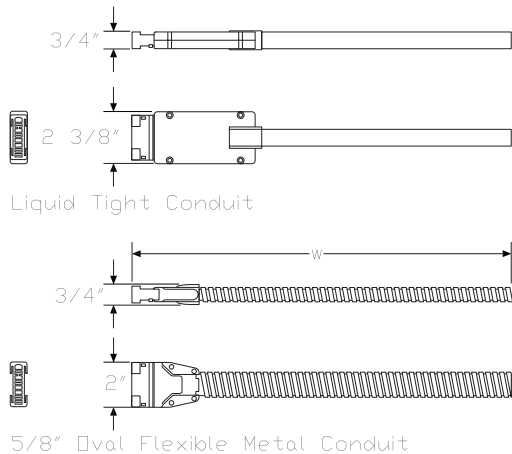
Thrive™ Power and Data Support

## Product Information

**Description**  
 This power entry connects a building's electrical from a wall, floor, or column to the end of a 4-circuit dual junction block power kit or junction block and distributes up to 4 20-amp circuits. UL 183 listed, CUL Certified.

**Notes**  
 Connect™ modular power products are not compatible with electrical components used in Herman Miller systems or desking product lines. Power entry can be field cut to the appropriate length. For San Francisco, specify 3/8" flex metallic conduit option (C). Finish color on liquid tight conduit is black. Finish color on metallic conduit is silver. A licensed electrician must wire the power entry to the building's electrical system.

## Dimensions



## Specification Information

**Step 1.**

**Y1351.**

### Step 2. Length

<b>06</b>	6' long
<b>12</b>	12' long
<b>18</b>	18' long
<b>24</b>	24' long

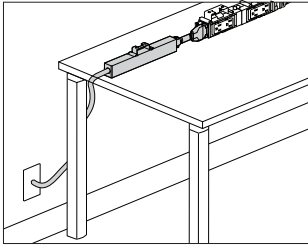
### Step 3. Conduit Type

<b>L</b>	liquid tight conduit
<b>C</b>	3/8" flex metallic conduit

### Prices for Steps 1-3.

	<b>L</b>	<b>C</b>
<b>Y1351. 06</b>	\$221	221
<b>12</b>	\$315	315
<b>18</b>	\$411	411
<b>24</b>	\$527	527

Connect™-Power Entry, 4-Circuit, Y1352.  
New York City



**Product Information**

**Description**

This power entry connects a building's electrical from a wall, floor, or column to the end of a 4-circuit dual junction block power kit or junction block and distributes up to 4 20-amp circuits. It includes a junction box and harness. UL 183 listed, CUL Certified.

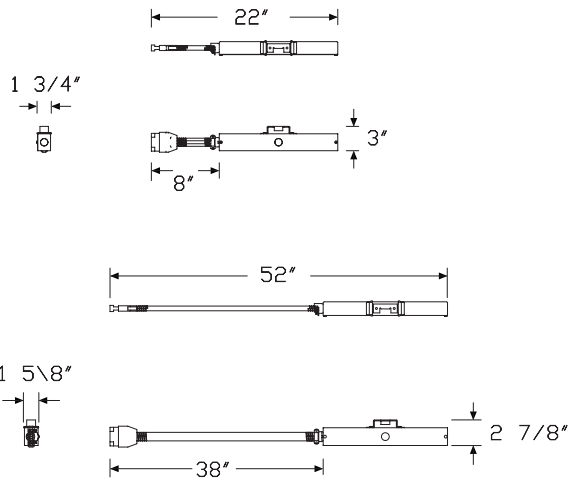
**Notes**

Connect™ modular power products are not compatible with electrical components used in Herman Miller systems or desking product lines. A licensed electrician must wire the power entry to the building's electrical system.

For use with Renew™ Link, specify 8" power entry (08).

For use with Layout Studio®, specify 38" power entry (38).

**Dimensions**



**Specification Information**

**Step 1.**

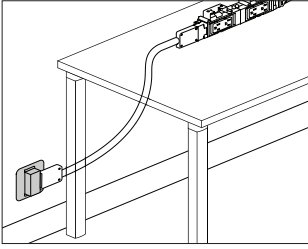
**Y1352.** [A] \$362

**Step 2. Length**

**08** 8" power entry [A] +\$0

**38** 38" power entry [A] +\$0

Connect™-Modular Power Entry, Y1359.  
4 Circuit, Architectural Wall  
Junction Box



Thrive™ Power and Data Support

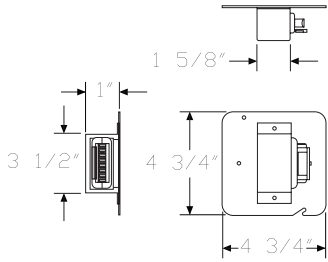
**Product Information**

**Description**  
This black receptacle box provides a modular power connection to building power at the wall in a standard 2-gang electrical box allowing for the electrical jumper to be easily removed when not in use. Product is UL listed when installed by a licensed electrician.

**Notes**

Connect™ modular power products are not compatible with electrical components used in Herman Miller systems or desking product lines. Includes mounting plate, modular connection with wiring, and cover. Jumper (Y1353.) plugs into the receptacle box modular power entry. Works with Connect 4-circuit products only.

**Dimensions**

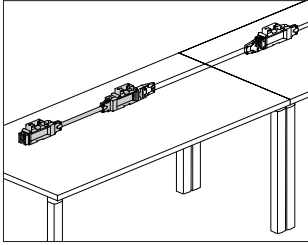


**Specification Information**

Step 1.  
**Y1359.** \$171



# Connect™-Dual Junction Block Y1350. Power Kit, 4-Circuit



## Product Information

### Description

This power kit attaches to the underside of a desk or table to provide electrical access and distributes up to 4 20-amp circuits. It is available as a single-sided or double-sided kit. The single-sided power kit is modular and includes 2 junction blocks, a non-adjustable jumper, and attachment hardware. The double-sided kit is a 1-piece construction consisting of 2 junction blocks, a jumper, and attachment hardware; it cannot be reconfigured. The single-sided and double-sided kits are UL 183 listed, CUL certified.

### Notes

Connect™ modular power products are not compatible with electrical components used in Herman Miller systems or desking product lines. Match width of power kit to width of surface.

When routing power to an adjacent desk or table, surfaces must be ganged together. Order ganging bracket kit (Y1338.) separately.

The single-sided junction block provides 1 or 2 receptacle locations.

The double-sided junction block provides 2 to 4 receptacle locations.

Order duplex receptacle, 4-circuit (Y1355.) separately.

To route power from building to power kit, order 4-circuit power entry (Y1351.) separately.

Power kit is not necessary for a 36"-wide surface. To add power to a 36"-wide surface, order double junction block, 4-circuit (Y1358.DH) or double back-to-back junction block (Y1358.DB).

To connect power kits between adjacent desks or tables, order junction block to junction block jumper, 4-circuit (Y1353.) separately.

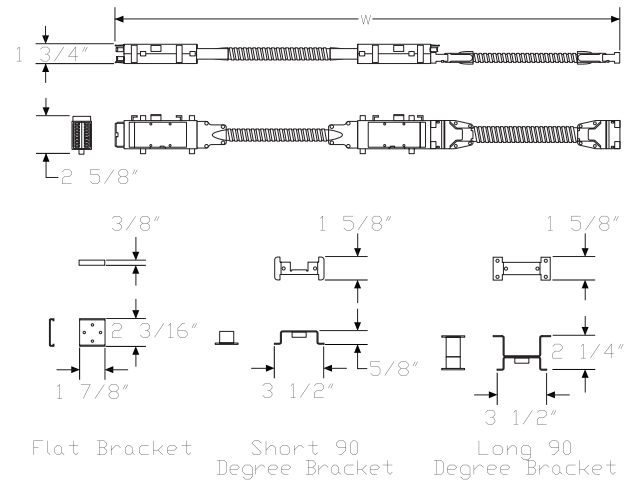
Finish color of junction block is black. Finish color of 5/8" oval metallic conduit is silver.

42" - 54" wide kits have no conduit clips. 60" - 78" wide kits include 1 conduit clip. 84" - 96" wide kits include 2 conduit clips.

To attach kit with single-sided junction block option (S) flush to bottom of surface, with receptacles facing down, specify flat attachment to underside of surface option (A).

To attach kit perpendicular to bottom of surface, specify short 90° attachment to underside of surface option (B).

## Dimensions



# Connect™-Dual Junction Block Power Kit, 4-Circuit *continued*

Thrive™ Power and Data Support

## Specification Information

Step 1.

**Y1350.**

Step 2. Width

<b>42</b>	42" wide
<b>48</b>	48" wide
<b>54</b>	54" wide
<b>60</b>	60" wide
<b>66</b>	66" wide
<b>72</b>	72" wide
<b>78</b>	78" wide
<b>84</b>	84" wide
<b>90</b>	90" wide
<b>96</b>	96" wide

Step 3. Junction Block Type

<b>S</b>	single-sided junction block
<b>D</b>	double-sided junction block

Step 4. Attachment Hardware

*For single-sided junction block (S)*

<b>A</b>	flat attachment to underside of surface
<b>B</b>	short 90° attachment to underside of surface
<b>C</b>	long 90° attachment to underside of surface

*For double-sided junction block (D)*

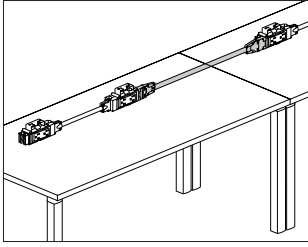
<b>B</b>	short 90° attachment to underside of surface
<b>C</b>	long 90° attachment to underside of surface

Prices for Steps 1-4.

	<b>A</b>	<b>B</b>	<b>C</b>
<b>Y1350. 42 S</b>	\$285	291	291
<b>D</b>	—	\$212	212
<b>48 S</b>	\$291	299	299
<b>D</b>	—	\$220	220
<b>54 S</b>	\$299	304	304
<b>D</b>	—	\$229	229
<b>60 S</b>	\$304	313	313
<b>D</b>	—	\$235	235
<b>66 S</b>	\$313	319	319
<b>D</b>	—	\$243	243
<b>72 S</b>	\$319	330	330
<b>D</b>	—	\$250	250
<b>78 S</b>	\$330	339	339
<b>D</b>	—	\$256	256

<b>84 S</b>	\$338	356	356
<b>D</b>	—	\$267	267
<b>90 S</b>	\$347	355	355
<b>D</b>	—	\$279	279
<b>96 S</b>	\$355	361	361
<b>D</b>	—	\$286	286

# Connect™-Junction Block to Junction Block Jumper, 4-Circuit Y1353.



## Product Information

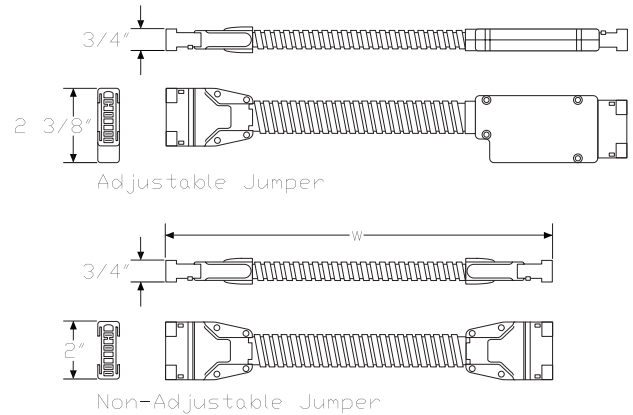
### Description

This power jumper distributes up to 4 20-amp circuits between 2 power kits or junction blocks and is available as adjustable or non-adjustable. The adjustable jumper allows 1 end of the jumper to extend an additional 3" when connecting to components under an adjacent desk or table. UL 183 listed, CUL Certified.

### Notes

- Connect™ modular power products are not compatible with electrical components used in Herman Miller systems or desking product lines. When routing power to an adjacent desk or table, surfaces must be ganged together. Order ganging bracket kit (Y1338.) separately.
- When connecting dual junction block power kits (Y1350.) between adjacent surfaces in a linear run, specify 24"-wide jumper.
- When connecting dual junction block power kits (Y1350.) at the outside corner of 2 24"-deep surfaces at 90°, specify 42"-wide jumper.
- When connecting dual junction block power kits (Y1350.) at the outside corner of 2 30"-deep surfaces at 90°, specify 48"-wide jumper.
- When connecting dual junction block power kits (Y1350.) at the outside corner of 1 30"-deep and 1 24"-deep surface, specify 48"-wide jumper.
- When connecting dual junction block power kits (Y1350.) at the inside corner of 2 24" or 30"-deep surfaces, specify 30"-wide jumper.
- Finish on 5/8" oval metallic conduit is silver.
- Order the following products separately:
- Conduit clamps (Y1339.)
  - Dual junction block power kit, 4-circuit (Y1350.) or junction block, 4-circuit (Y1358.)
  - Duplex receptacle, 4-circuit (Y1355.) - for junction block, 4-circuit
  - Junction block bracket, 4-circuit (Y1357.) - for junction block, 4-circuit
  - Power entry, 4-circuit (Y1351.)

## Dimensions



# Connect™-Junction Block to Junction Block Jumper, 4-Circuit

continued

Thrive™ Power and Data Support

## Specification Information

### Step 1.

**Y1353.**

### Step 2. Width

<b>12</b>	12" wide
<b>18</b>	18" wide
<b>24</b>	24" wide
<b>30</b>	30" wide
<b>36</b>	36" wide
<b>42</b>	42" wide
<b>48</b>	48" wide
<b>54</b>	54" wide
<b>60</b>	60" wide
<b>66</b>	66" wide
<b>72</b>	72" wide
<b>78</b>	78" wide
<b>84</b>	84" wide
<b>90</b>	90" wide
<b>108</b>	108" wide
<b>120</b>	120" wide
<b>132</b>	132" wide
<b>144</b>	144" wide

### Step 3. Type

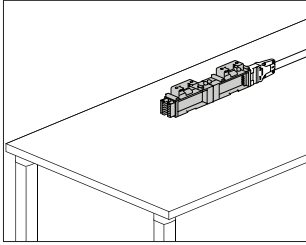
<b>A</b>	adjustable jumper
<b>N</b>	nonadjustable jumper

## Prices for Steps 1-3.

	<b>A</b>	<b>N</b>
<b>Y1353. 12</b>	\$115	115
<b>18</b>	\$120	120
<b>24</b>	\$129	129
<b>30</b>	\$139	139
<b>36</b>	\$146	146
<b>42</b>	\$152	152
<b>48</b>	\$163	163
<b>54</b>	\$171	171
<b>60</b>	\$179	179
<b>66</b>	\$185	185
<b>72</b>	\$192	192
<b>78</b>	\$202	202
<b>84</b>	\$209	209
<b>90</b>	\$219	219
<b>108</b>	\$242	242
<b>120</b>	\$255	255
<b>132</b>	\$274	274
<b>144</b>	\$291	291

# Connect™-Junction Block, 4-Circuit

Y1358.



## Product Information

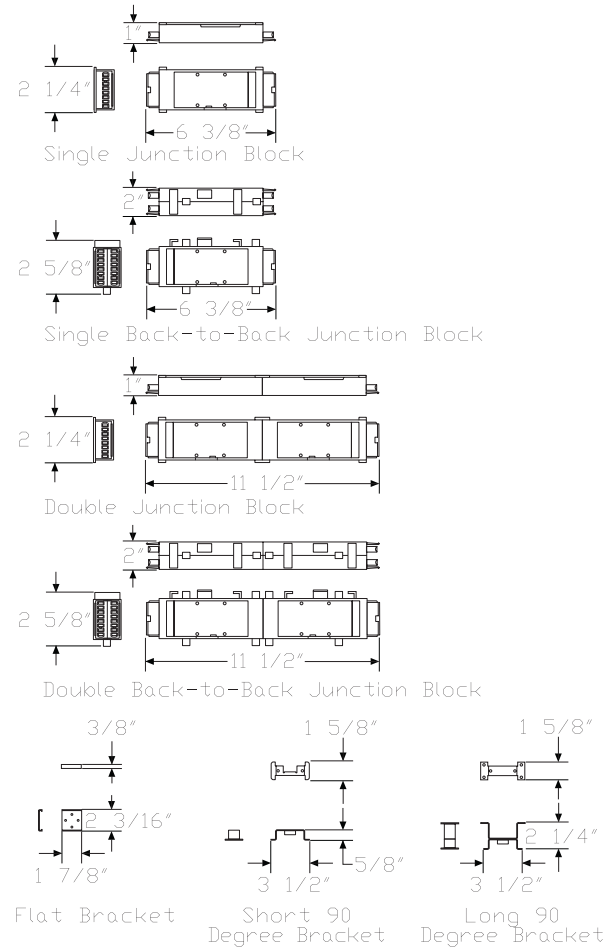
### Description

This block attaches beneath a desk or table and accepts 4-circuit receptacles for access and distribution of up to 4 20-amp circuits. It has connection points at both ends for attaching a power entry or 4-circuit power jumper. The block can be specified for 1 receptacle, 2 receptacles side-by-side, 2 receptacles back-to-back, or 4 receptacles; 2 side-by-side and 2 back-to-back. Finish is black. Attachment bracket and hardware included. UL 183 listed, CUL Certified.

### Notes

Connect™ modular power products are not compatible with electrical components used in Herman Miller systems or desking product lines. When routing power to an adjacent desk or table, surfaces must be ganged together. Order ganging bracket kit (Y1338.) separately. To route power from building to junction block, order 4-circuit power entry (Y1351.) separately. To route power between junction blocks, order junction block to junction block jumper, 4-circuit (Y1353.) separately. To route power from a 36"-wide surface to an adjacent surface, specify double junction block option (DH) or double back-to-back junction block option (DB) and order power jumper (Y1353.) separately. Order duplex receptacle, 4-circuit (Y1355.) separately. To maintain proper spacing when specifying double junction block (Y1358.DH) or double back-to-back junction block (Y1358.DB), order adjustable jumpers (Y1353.xxxA) separately.

## Dimensions



# Connect™-Junction Block, 4-Circuit *continued*

Thrive™ Power and Data Support

**Specification Information**

Step 1.

**Y1358.**

Step 2. Junction Block Type

- SH** single junction block
- SB** single back-to-back junction block
- DH** double junction block
- DB** double back-to-back junction block

Step 3. Attachment Hardware

*For single junction block (SH) or double junction block (DH)*

- A** flat attachment to underside of surface
- B** short 90° attachment to underside of surface
- C** long 90° attachment to underside of surface

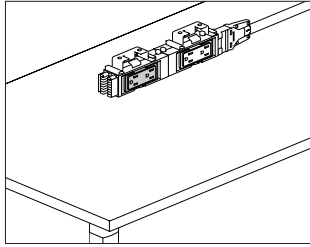
*For single back-to-back junction block (SB) or double back-to-back junction block (DB)*

- B** short 90° attachment to underside of surface
- C** long 90° attachment to underside of surface

Prices for Steps 1-3.

	<b>A</b>	<b>B</b>	<b>C</b>
<b>Y1358. SH</b>	\$127	135	135
<b>SB</b>	—	\$135	135
<b>DH</b>	\$105	114	114
<b>DB</b>	—	\$114	114

# Connect™-Duplex Receptacle, Y1355. 4-Circuit



## Product Information

### Description

This 15- or 20-amp duplex receptacle attaches to a power kit or junction block to provide electrical access. Finish is black. UL 183 listed, CUL Certified.

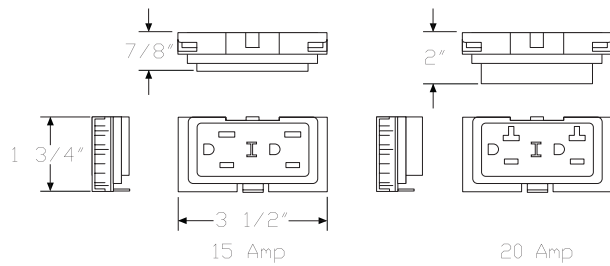
### Notes

Connect™ modular power products are not compatible with electrical components used in Herman Miller systems or desking product lines. Receptacle is labeled as I, II, III, or IV for circuit identification.

Order the following products separately:

- Dual junction block power kit, 4-circuit (Y1350.)
- Junction block, 4-circuit (Y1358.)

## Dimensions



## Specification Information

### Step 1.

**Y1355.**

### Step 2. Amps

<b>15</b>	15 amp
<b>20</b>	20 amp

### Step 3. Circuit

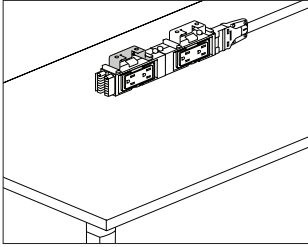
<b>1</b>	circuit I
<b>2</b>	circuit II
<b>3</b>	circuit III
<b>4</b>	circuit IV

### Prices for Steps 1-3.

	<b>1</b>	<b>2</b>	<b>3</b>	<b>4</b>
<b>Y1355. 15</b>	\$38	38	38	38
<b>20</b>	\$44	44	44	44

# Connect™-Junction Block Brackets, 4-Circuit

Y1357.



Thrive™ Power and Data Support

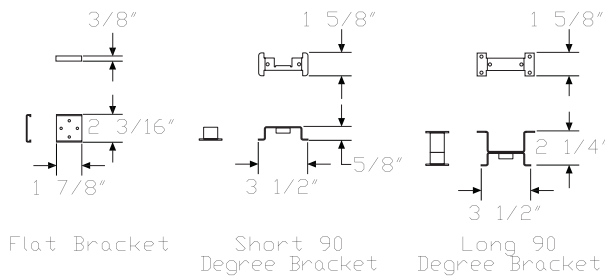
### Product Information

**Description**  
This bracket attaches a 4-circuit junction block to a desk or table.  
Package of 10.

### Notes

Connect™ modular power products are not compatible with electrical components used in Herman Miller systems or desking product lines.  
To attach junction block flush to bottom of surface, facing down, specify flat attachment to underside of surface option (A).  
To attach junction block perpendicular to bottom of surface, specify short 90° attachment to underside of surface option (B).  
Finish on flat attachment to underside of surface option (A) is black.  
Finish on short 90° attachment to underside of surface option (B) and long 90° attachment to underside of surface option (C) is silver.  
Order junction block, 4-circuit (Y1358.) separately.

### Dimensions



### Specification Information

#### Step 1.

**Y1357.**

#### Step 2. Attachment Hardware

- A** flat attachment to underside of surface
- B** short 90° attachment to underside of surface
- C** long 90° attachment to underside of surface

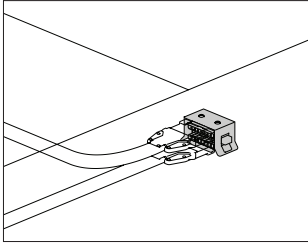
#### Prices for Steps 1-2.

<b>Y1357. A</b>	\$87
<b>B</b>	\$134
<b>C</b>	\$134



# Connect™-Block Connector, 4-Circuit

Y1354.



### Product Information

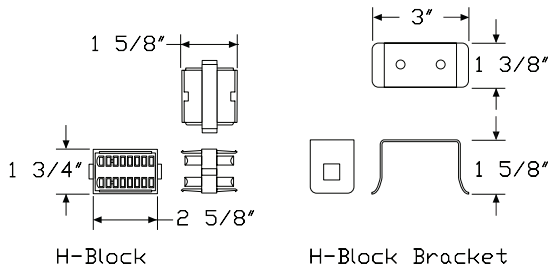
#### Description

This block connects components together to distribute power. The H-block connector connects jumpers together at 2-, 3-, and 4-way connection points, or distributes power from a power entry to multiple components. The receptacle-to-receptacle connectors connect 2 junction blocks together. Finish is black. Attachment hardware included. UL 183 listed, CUL Certified.

#### Notes

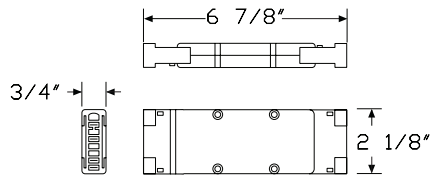
Connect™ modular power products are not compatible with electrical components used in Herman Miller systems or desking product lines. When routing power to an adjacent desk or table, surfaces must be ganged together. Order ganging bracket kit (Y1338.) separately.

#### Dimensions

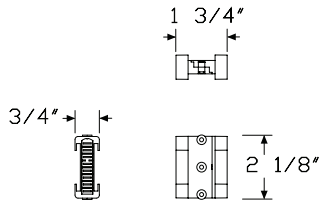


H-Block

H-Block Bracket



Receptacle-to-Receptacle Block Connector



Short Receptacle-to-Receptacle Block Connector

### Specification Information

#### Step 1.

**Y1354.**

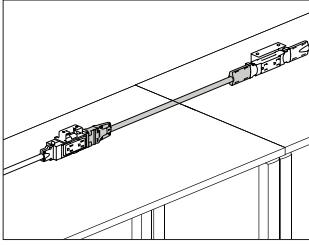
#### Step 2. Connector Type

- H** H-block connector
- S** short receptacle-to-receptacle block connector A
- R** receptacle-to-receptacle block connector

#### Prices for Steps 1-2.

<b>Y1354. H</b>	\$64
<b>S</b>	\$79
<b>R</b>	\$81

Connect™-Transition Jumper, 2- to 4-Circuit Y1356.



Thrive™ Power and Data Support

**Product Information**

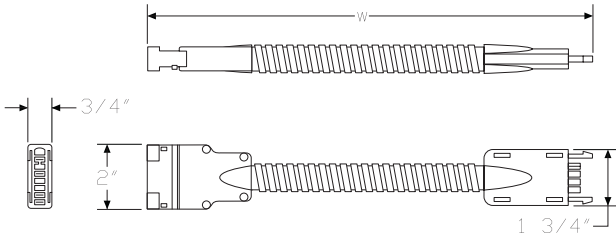
**Description**

This jumper transfers power from a 2-circuit power kit, receptacle, or connector block to a 4-circuit junction block or connector block. 1 conduit clamp included. UL 183 listed, CUL Certified.

**Notes**

Connect™ modular power products are not compatible with electrical components used in Herman Miller systems or desking product lines. When routing power to an adjacent desk or table, surfaces must be ganged together. Order ganging bracket kit (Y1338.) separately. Finish on 5/8" oval metallic conduit is silver.

**Dimensions**



**Specification Information**

**Step 1.**

**Y1356.**

**Step 2. Width**

- 06** 6" wide
- 24** 24" wide
- 36** 36" wide
- 48** 48" wide
- 72** 72" wide
- 96** 96" wide

**Step 3. Conduit Type**

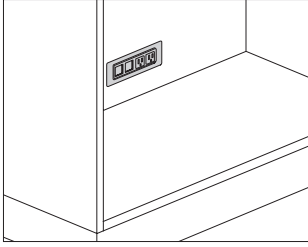
**L** liquid tight conduit

**Prices for Steps 1-3.**

	<b>L</b>
<b>Y1356. 06</b>	\$106
<b>24</b>	\$129
<b>36</b>	\$146
<b>48</b>	\$163
<b>72</b>	\$192
<b>96</b>	\$228

# Connect™ - S310 Electrical Unit with Connect Modular Connection

Y1329.



## Product Information

### Description

This electrical distributor provides power to a lateral file, low credenza, or storage case with a Connect™ 4-circuit modular connector. It can be top surface mounted flush or vertically mounted in the false back of a cabinet. A voice/data adapter kit is included, allowing the data openings to accept various manufacturers' couplers and jacks. Attachment hardware is included. Product is UL listed.

### Notes

Field cutting of surface may be required. Information on surface cutout size is included on instruction sheet.

Silver option (OI) and white option (OJ) have painted metal trim with white plastic simplex/data interiors. Black option (OH) has black painted trim with black plastic simplex/data interior.

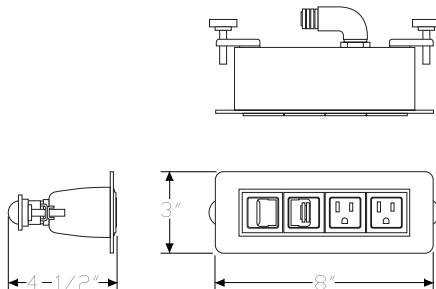
Modular electrical connectors can only connect to Connect 4-circuit modular power system.

Order the following products separately:

- Canvas powered metal low credenza (FMP72A., FMP72K., FMP73A., FMP73K., FMP74A., FMP74K.)
- Canvas powered wood low credenza (FFD73A., FFD73K.)
- Meridian powered storage case (PSC-, PS6-, PSAM-, PSAV-, PSKM-, PSKV-)
- Meridian powered storage lateral file (PS26-, PS2AM, PS2AV, PS2KM, PS2KV)
- Connect - power entry, 4-circuit (Y1351.)
- Connect - junction block to junction block jumper, 4-circuit (Y1353.)
- Connect - block connector, 4-circuit (Y1354.)
- Other Connect 4-circuit modular power components as required

For Canvas powered storage, order Connect - conduit clamp (Y1339.) separately.

## Dimensions



## Specification Information

### Step 1.

**Y1329.**

### Step 2. Configuration

- |          |  |
|----------|--|
| <b>3</b> | 2 simplex receptacles, 2 data openings |
| <b>8</b> | 3 simplex receptacles, 1 data opening  |

### Step 3. Power Type

- |          |                     |
|----------|---------------------|
| <b>E</b> | 4 circuit circuit 1 |
| <b>F</b> | 4 circuit circuit 2 |
| <b>G</b> | 4 circuit circuit 3 |
| <b>H</b> | 4 circuit circuit 4 |

### Step 4. Cord/Conduit Length

- |           |             |
|-----------|-------------|
| <b>02</b> | 2' conduit  |
| <b>03</b> | 3' conduit  |
| <b>04</b> | 4' conduit  |
| <b>06</b> | 6' conduit  |
| <b>10</b> | 10' conduit |

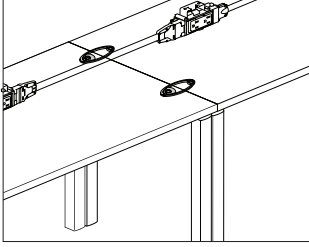
### Prices for Steps 1-4.

		<b>02</b>	<b>03</b>	<b>04</b>	<b>06</b>	<b>10</b>
<b>Y1329. 3</b>	<b>E</b>	\$477	494	505	535	594
	<b>F</b>	\$477	494	505	535	594
	<b>G</b>	\$477	494	505	535	594
	<b>H</b>	\$477	494	505	535	594
<b>8</b>	<b>E</b>	\$500	513	532	557	615
	<b>F</b>	\$500	513	532	557	615
	<b>G</b>	\$500	513	532	557	615
	<b>H</b>	\$500	513	532	557	615

### Step 5. Finish

- |           |        |       |
|-----------|--------|-------|
| <b>OH</b> | black  | + \$0 |
| <b>OI</b> | silver | + \$0 |
| <b>OJ</b> | white  | + \$0 |

Connect™-Ganging Bracket Kit Y1338.



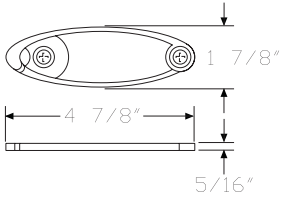
Thrive™ Power and Data Support

**Product Information**

**Description**  
This kit has 2 clips that attach to the underside of 2 adjacent surfaces, ganging them together to provide stability and allowing electrical components to be routed from 1 surface to another. Finish is black.

**Notes**  
Ganging bracket kit should not be used on 18"-deep Everywhere™ tables.

**Dimensions**

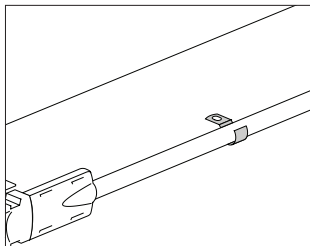


**Specification Information**

**Step 1.**  
**Y1338.** \$115

# Connect™-Conduit Clamp

Y1339.

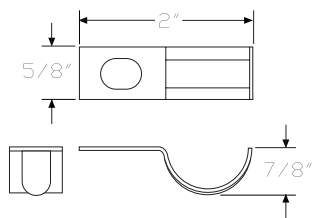


## Product Information

### Description

This clamp screws to the underside of a surface to support the conduit on electrical components. Finish is silver. Package of 10.

## Dimensions



## Specification Information

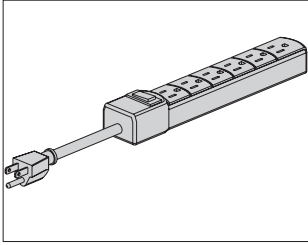
### Step 1.

Y1339.

\$18

Power Plug Strip

Y1500.



Thrive™ Power and Data Support

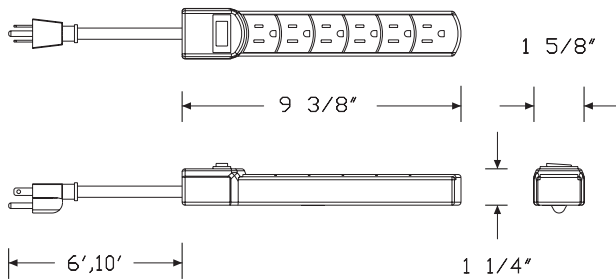
**Product Information**

**Description**  
 This corded power strip provides 6 outlets. It is available with 6' and 10' cord lengths. Power strip is UL Listed and CSA Certified. Finish is black.

**Notes**

The 10' cord (10) length is recommended for use with height adjustable table.  
 When used with Canvas Vista™, power strip plugs directly into the harness with power + data cover (FG150.) located under the chase.  
 Order the following products separately:  
 • Hinged cable trough (Y1300.)  
 • Vista harness with power + data cover (FG150.)

**Dimensions**



**Specification Information**

**Step 1.**

**Y1500.**

**Step 2. Configuration**

**6** 6 AC outlets

**Step 3. Cord Length**

**06** 6' long

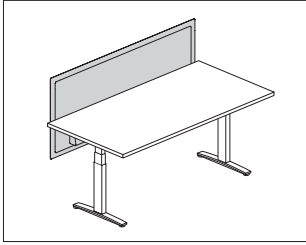
**10** 10' long

**Prices for Steps 1-3.**

	<b>06</b>	<b>10</b>
<b>Y1500. 6</b>	\$92	107

# Pari Screen, Height Adjustable Tables

Y1116.



### Product Information

#### Description

This screen attaches to an individual height adjustable work surface. It has an all-fabric, tackable surface with frameless design, and comes in privacy and modesty sizes. Attachment hardware included.

#### Notes

Privacy and modesty panel actual width is 2" less than specified width.

Privacy screen (A) top edge aligns with the 42" high Canvas datum line; bottom edge is 4" below work surface.

Privacy & modesty screen (B) top edge aligns with the 42" high Canvas datum line; bottom edge is 10" below work surface.

Privacy screen (C) top edge aligns with the 46" high Canvas datum line; bottom edge is 4" below work surface.

Privacy & modesty screen (D) top edge aligns with the 46" high Canvas datum line; bottom edge is 10" below work surface.

Privacy screen (E) top edge aligns with the 53" high Canvas datum line; bottom edge is 4" below work surface.

Privacy & modesty screen (F) top edge aligns with the 53" high Canvas datum line; bottom edge is 10" below work surface.

Screens 54" wide and wider include an additional 1"-wide center mounting bracket.

Recommended mounting creates a 1" gap between back edge of surface and the screen to accommodate cable routing and the attachment or clamp-mounting of other hardware to the surface.

Optional cable management trough is only available when specifying privacy & modesty height option (B). Trough finish is graphite.

Attachment brackets are inset from edge of screen by approximately 8" and require 2 1/2" of work surface for attachment.

Attachment bracket finish is painted graphite.

Screen accepts Customer's Own Material (COM). Yardage is estimated for nondirectional 54"-wide fabrics.

For vertical fabric direction (T):

#### Height—Yardage

- A—1.51
- B—1.89
- C—1.76
- D—2.14
- E—2.21
- F—2.58

For horizontal fabric direction (R):

#### Width—Yardage

For heights A/B:

- 24—0.88
- 30—1.07
- 36—1.26
- 42—1.45
- 48—1.64
- 54—1.83
- 60—2.02
- 66—2.21
- 72—2.39

For heights C/D/E/F:

- 24—1.76
- 30—2.14
- 36—2.52
- 42—2.90
- 48—3.28
- 54—3.65
- 60—4.03
- 66—4.41
- 72—4.79

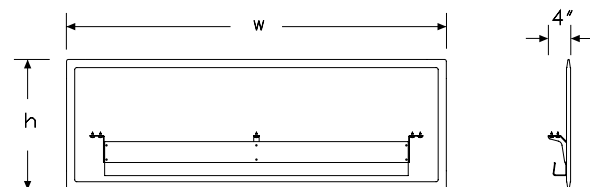
For information on multiple quantities or directional fabrics, contact COM Department. See Order Information in Appendices.

MicrobeCare™ is an antimicrobial coating applied to the fabric surface of this product.

MicrobeCare™ protects products from mold, mildew, algae, and bacteria that cause deterioration, discoloration, odors, and stains.

MicrobeCare™ is registered with the US Environmental Protection Agency (EPA).

### Dimensions



# Pari Screen, Height Adjustable Tables *continued*

Thrive™ Screens

## Specification Information

### Step 1.

**Y1116.** A

### Step 2. Height

<b>A</b>	privacy (42" high)	<span style="border: 1px solid black; padding: 0 2px;">A</span>
<b>B</b>	privacy & modesty (42" high/10" below surface)	<span style="border: 1px solid black; padding: 0 2px;">A</span>
<b>C</b>	privacy (46" high)	<span style="border: 1px solid black; padding: 0 2px;">A</span>
<b>D</b>	privacy & modesty (46" high/10" below surface)	<span style="border: 1px solid black; padding: 0 2px;">A</span>
<b>E</b>	privacy (53" high)	<span style="border: 1px solid black; padding: 0 2px;">A</span>
<b>F</b>	privacy & modesty (53" high/10" below surface)	<span style="border: 1px solid black; padding: 0 2px;">A</span>

### Step 3. Width

<b>24</b>	24" wide	<span style="border: 1px solid black; padding: 0 2px;">A</span>
<b>30</b>	30" wide	<span style="border: 1px solid black; padding: 0 2px;">A</span>
<b>36</b>	36" wide	<span style="border: 1px solid black; padding: 0 2px;">A</span>
<b>42</b>	42" wide	<span style="border: 1px solid black; padding: 0 2px;">A</span>
<b>48</b>	48" wide	<span style="border: 1px solid black; padding: 0 2px;">A</span>
<b>54</b>	54" wide	<span style="border: 1px solid black; padding: 0 2px;">A</span>
<b>60</b>	60" wide	<span style="border: 1px solid black; padding: 0 2px;">A</span>
<b>66</b>	66" wide	<span style="border: 1px solid black; padding: 0 2px;">A</span>
<b>72</b>	72" wide	<span style="border: 1px solid black; padding: 0 2px;">A</span>

### Step 4. Surface Material

*For 24" wide (24), 30" wide (30), 36" wide (36), 42" wide (42), or 48" wide (48)*

<b>R</b>	tackable fabric, horizontal	<span style="border: 1px solid black; padding: 0 2px;">A</span>
<b>T</b>	tackable fabric	<span style="border: 1px solid black; padding: 0 2px;">A</span>
<b>D</b>	tackable fabric, horizontal with MicrobeCare™	<span style="border: 1px solid black; padding: 0 2px;">A</span>
<b>E</b>	tackable fabric with MicrobeCare™	<span style="border: 1px solid black; padding: 0 2px;">A</span>

*For 54" wide (54), 60" wide (60), 66" wide (66), or 72" wide (72)*

<b>R</b>	tackable fabric, horizontal	<span style="border: 1px solid black; padding: 0 2px;">A</span>
<b>D</b>	tackable fabric, horizontal with MicrobeCare™	<span style="border: 1px solid black; padding: 0 2px;">A</span>

### Prices for Steps 1-4.

		<b>R</b>	<b>T</b>	<b>D</b>	<b>E</b>
<b>Y1116. A</b>	<b>24</b>	\$539	539	606	606
	<b>30</b>	\$626	626	691	691
	<b>36</b>	\$650	650	716	716
	<b>42</b>	\$689	689	756	756
	<b>48</b>	\$714	714	781	781
	<b>54</b>	\$784	—	850	—
	<b>60</b>	\$842	—	909	—
	<b>66</b>	\$900	—	968	—
	<b>72</b>	\$950	—	1015	—

<b>B</b>	<b>24</b>	\$651	651	717	717
	<b>30</b>	\$698	698	763	763
	<b>36</b>	\$742	742	807	807
	<b>42</b>	\$784	784	850	850
	<b>48</b>	\$870	870	936	936
	<b>54</b>	\$979	—	1045	—
	<b>60</b>	\$1004	—	1070	—
	<b>66</b>	\$1080	—	1147	—
	<b>72</b>	\$1107	—	1174	—
<b>C</b>	<b>24</b>	\$613	613	679	679
	<b>30</b>	\$656	656	722	722
	<b>36</b>	\$702	702	768	768
	<b>42</b>	\$745	745	811	811
	<b>48</b>	\$823	823	888	888
	<b>54</b>	\$905	—	970	—
	<b>60</b>	\$1008	—	1074	—
	<b>66</b>	\$1057	—	1123	—
	<b>72</b>	\$1100	—	1165	—
<b>D</b>	<b>24</b>	\$788	788	853	853
	<b>30</b>	\$830	830	896	896
	<b>36</b>	\$874	874	940	940
	<b>42</b>	\$918	918	984	984
	<b>48</b>	\$987	987	1055	1055
	<b>54</b>	\$1035	—	1101	—
	<b>60</b>	\$1097	—	1163	—
	<b>66</b>	\$1152	—	1218	—
	<b>72</b>	\$1182	—	1247	—
<b>E</b>	<b>24</b>	\$806	806	872	872
	<b>30</b>	\$850	850	916	916
	<b>36</b>	\$894	894	959	959
	<b>42</b>	\$964	964	1031	1031
	<b>48</b>	\$992	992	1059	1059
	<b>54</b>	\$1048	—	1116	—
	<b>60</b>	\$1069	—	1136	—
	<b>66</b>	\$1096	—	1162	—
	<b>72</b>	\$1121	—	1187	—
<b>F</b>	<b>24</b>	\$888	888	954	954
	<b>30</b>	\$931	931	998	998
	<b>36</b>	\$976	976	1042	1042
	<b>42</b>	\$1020	1020	1086	1086
	<b>48</b>	\$1098	1098	1164	1164
	<b>54</b>	\$1136	—	1201	—
	<b>60</b>	\$1178	—	1244	—
	<b>66</b>	\$1274	—	1339	—
	<b>72</b>	\$1299	—	1365	—



# Pari Screen, Height Adjustable Tables *continued*

## Step 5. Cable Trough

*For privacy & modesty (42" high/10" below surface) (B), privacy & modesty (46" high/10" below surface) (D), or privacy & modesty (53" high/10" below surface) (F)*

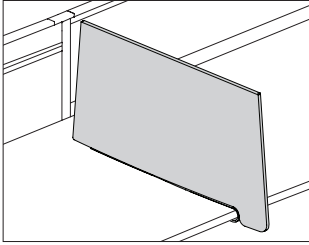
<b>NC</b>	no cable way <input type="checkbox"/>	+\$0
<b>CW</b>	cable way <input type="checkbox"/>	+\$25

## Step 6. Fabric

Price Category 1	+\$0
Price Category 2	+\$23
Price Category 3	+\$49
Price Category 4	+\$96
Price Category 5	+\$162
Price Category B	+\$86
Price Category C	+\$121
Price Category E	+\$182

Personal Side Screen

Y1117.



Thrive™ Screens

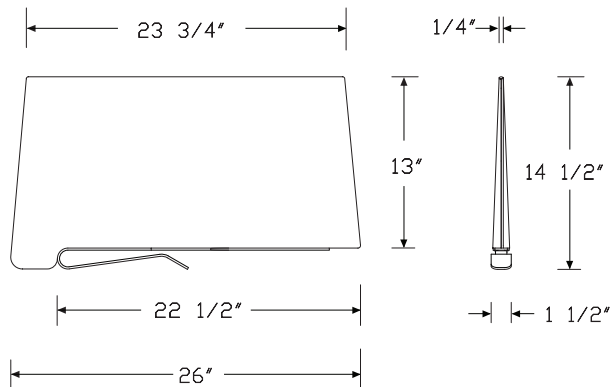
**Product Information**

**Description**  
 This side screen has a tackable surface and slips onto the front of most HermanMiller work surfaces to provide visual privacy on tables, benches, and systems product. It attaches without tools and can be secured in place with screws on the underside of the surface. Clamp finish is graphite.

**Notes**

Screen height is 13" above work surface.  
 Screen is not compatible with Layout Studio®.  
 Screen can be used with work surfaces up to 1 1/4" thick.  
 Bottom of attachment bracket extends 1 1/2" below work surface.  
 Screen accepts Customer's Own Material (COM). Yardage is estimated for nondirectional 54"-wide fabrics.  
 For vertical fabric direction (T):  
 Height—Yardage  
 13—0.94  
 For horizontal fabric direction (R):  
 Height—Yardage  
 13—1.00  
 For information on multiple quantities or directional fabrics, contact COM Department. See Order Information in Appendices.

**Dimensions**



**Specification Information**

**Step 1.**

**Y1117.** [A]

**Step 2. Height**

**13** 13" high [A]

**Step 3. Surface Material**

**R** tackable fabric, horizontal [A]

**T** tackable fabric [A]

**Prices for Steps 1-3.**

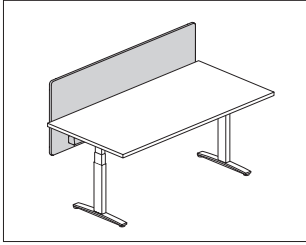
	R	T
<b>Y1117. 13</b>	\$483	483

**Step 4. Fabric**

Price Category 1	+\$0
Price Category 2	+\$13
Price Category 3	+\$28
Price Category 4	+\$53
Price Category 5	+\$90
Price Category C	+\$66

# Surface-Attached Screen, Flat Edge

Y1118.



## Product Information

### Description

This surface-attached tackable screen attaches to an individual table, desk, or work surface. It has a frameless all-fabric design with a flat edge, and comes in privacy and modesty sizes. Attachment hardware included.

### Notes

- Privacy and modesty panel actual width is 2" less than specified width.
- Privacy screen (A) top edge is 13" above top of work surface; bottom edge is 3 3/4" below work surface.
- Privacy & modesty screen (B) top edge is 13" above top of work surface; bottom edge is 10" below work surface.
- Privacy screen (A) top edge aligns with the 42" high Canvas datum line; bottom edge is 4" below work surface.
- Privacy & modesty screen (B) top edge aligns with the 42" high Canvas datum line; bottom edge is 9" below work surface.
- Privacy screen (C) top edge aligns with the 46" high Canvas datum line; bottom edge is 4" below work surface.
- Privacy & modesty screen (D) top edge aligns with the 46" high Canvas datum line; bottom edge is 9" below work surface.
- Privacy screen (E) top edge aligns with the 53" high Canvas datum line; bottom edge is 4" below work surface.
- Privacy & modesty screen (F) top edge aligns with the 53" high Canvas datum line; bottom edge is 9" below work surface.
- Screens 54" wide and wider include an additional 1"-wide center mounting bracket.
- Recommended mounting creates a 1" gap between back edge of surface and the screen to accommodate cable routing and the attachment or clamp-mounting of other hardware to the surface.
- Optional cable management trough is only available when specifying privacy & modesty height option (B). Trough finish is graphite.
- Attachment brackets are inset from edge of screen by approximately 8" and require 2 1/2" of work surface for attachment.
- Attachment bracket finish is painted graphite.
- Screen accepts Customer's Own Material (COM). Yardage is estimated for nondirectional 54"-wide fabrics.
- For vertical fabric direction (T):
- Height—Yardage
- A—1.51
- B—1.89
- C—1.76
- D—2.14
- E—2.21
- F—2.58

For horizontal fabric direction (R):

Width—Yardage

For heights A/B:

24—0.88

30—1.07

36—1.26

42—1.45

48—1.64

54—1.83

60—2.02

66—2.21

72—2.39

For heights C/D/E/F:

24—1.76

30—2.14

36—2.52

42—2.90

48—3.28

54—3.65

60—4.03

66—4.41

72—4.79

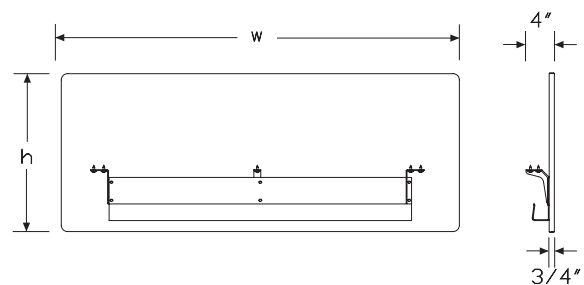
For information on multiple quantities or directional fabrics, contact COM Department. See Order Information in Appendices.

MicrobeCare™ is an antimicrobial coating applied to the fabric surface of this product.

MicrobeCare™ protects products from mold, mildew, algae, and bacteria that cause deterioration, discoloration, odors, and stains.

MicrobeCare™ is registered with the US Environmental Protection Agency (EPA).

## Dimensions



# Surface-Attached Screen, Flat Edge *continued*

Thrive™ Screens

## Specification Information

### Step 1.

**Y1118.** A

### Step 2. Height

- A** privacy (42" high) A
- B** privacy & modesty (42" high/ 9" below surface) A
- C** privacy (46" high) A
- D** privacy & modesty (46" high/ 9" below surface) A
- E** privacy (53" high) A
- F** privacy & modesty (53" high/ 9" below surface) A

### Step 3. Width

- 24** 24" wide A
- 30** 30" wide A
- 36** 36" wide A
- 42** 42" wide A
- 48** 48" wide A
- 54** 54" wide A
- 60** 60" wide A
- 66** 66" wide A
- 72** 72" wide A

### Step 4. Surface Material

*For 24" wide (24), 30" wide (30), 36" wide (36), 42" wide (42), or 48" wide (48)*

- R** tackable fabric, horizontal A
- T** tackable fabric A
- D** tackable fabric, horizontal with MicrobeCare™ A
- E** tackable fabric with MicrobeCare™ A

*For 54" wide (54), 60" wide (60), 66" wide (66), or 72" wide (72)*

- R** tackable fabric, horizontal A
- D** tackable fabric, horizontal with MicrobeCare™ A

### Prices for Steps 1-4.

		R	T	D	E
<b>Y1118. A</b>	<b>24</b>	\$375	375	441	441
	<b>30</b>	\$405	405	471	471
	<b>36</b>	\$483	483	550	550
	<b>42</b>	\$520	520	586	586
	<b>48</b>	\$557	557	622	622
	<b>54</b>	\$592	—	657	—
	<b>60</b>	\$642	—	708	—
	<b>66</b>	\$672	—	738	—
	<b>72</b>	\$716	—	782	—

<b>B</b>	<b>24</b>	\$467	467	532	532
	<b>30</b>	\$503	503	570	570
	<b>36</b>	\$539	539	606	606
	<b>42</b>	\$577	577	643	643
	<b>48</b>	\$607	607	674	674
	<b>54</b>	\$640	—	705	—
	<b>60</b>	\$662	—	728	—
	<b>66</b>	\$722	—	789	—
	<b>72</b>	\$776	—	842	—
<b>C</b>	<b>24</b>	\$468	468	534	534
	<b>30</b>	\$516	516	582	582
	<b>36</b>	\$555	555	621	621
	<b>42</b>	\$611	611	677	677
	<b>48</b>	\$685	685	750	750
	<b>54</b>	\$721	—	788	—
	<b>60</b>	\$806	—	872	—
	<b>66</b>	\$848	—	913	—
	<b>72</b>	\$909	—	975	—
<b>D</b>	<b>24</b>	\$588	588	655	655
	<b>30</b>	\$656	656	722	722
	<b>36</b>	\$732	732	797	797
	<b>42</b>	\$748	748	815	815
	<b>48</b>	\$779	779	846	846
	<b>54</b>	\$801	—	866	—
	<b>60</b>	\$887	—	953	—
	<b>66</b>	\$959	—	1026	—
	<b>72</b>	\$999	—	1065	—
<b>E</b>	<b>24</b>	\$638	638	703	703
	<b>30</b>	\$647	647	713	713
	<b>36</b>	\$665	665	731	731
	<b>42</b>	\$781	781	848	848
	<b>48</b>	\$808	808	875	875
	<b>54</b>	\$829	—	895	—
	<b>60</b>	\$866	—	932	—
	<b>66</b>	\$944	—	1011	—
	<b>72</b>	\$1005	—	1071	—
<b>F</b>	<b>24</b>	\$772	772	838	838
	<b>30</b>	\$781	781	848	848
	<b>36</b>	\$795	795	861	861
	<b>42</b>	\$808	808	875	875
	<b>48</b>	\$819	819	886	886
	<b>54</b>	\$830	—	896	—
	<b>60</b>	\$918	—	984	—
	<b>66</b>	\$965	—	1032	—
	<b>72</b>	\$1166	—	1232	—

# Surface-Attached Screen, Flat Edge *continued*

## Step 5. Cable Trough

*For privacy & modesty (42" high/ 9" below surface) (B), privacy & modesty (46" high/ 9" below surface) (D), or privacy & modesty (53" high/ 9" below surface) (F)*

<b>NC</b>	no cable way <input type="checkbox"/>	+\$0
<b>CW</b>	cable way <input type="checkbox"/>	+\$25

## Step 6. Fabric

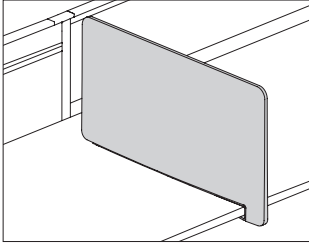
Price Category 1	+\$0
Price Category 2	+\$25
Price Category 3	+\$59
Price Category 4	+\$112
Price Category 5	+\$146
Price Category B	+\$97
Price Category C	+\$133
Price Category E	+\$182

*For tackable fabric, horizontal (R) or tackable fabric, horizontal with MicrobeCare™ (D)*

Price Category 1	+\$0
Price Category 2	+\$25
Price Category 3	+\$59
Price Category 4	+\$112
Price Category 5	+\$146
Price Category B	+\$97
Price Category C	+\$133
Price Category E	+\$182

Personal Side Screen,  
Rectangular

Y1119.



Thrive™ Screens

**Product Information**

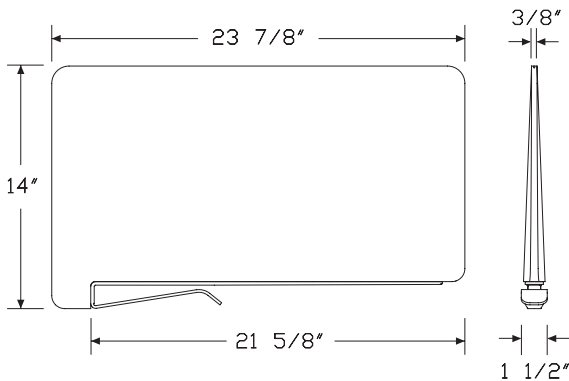
**Description**

This side screen has a tackable surface and slips onto the front of most HermanMiller work surfaces to provide visual privacy on tables, benches, and systems product. It attaches without tools and can be secured in place with screws on the underside of the surface. Clamp finish is graphite.

**Notes**

- Screen height is 13" above work surface.
- Screen is not compatible with Layout Studio®.
- Screen can be used with work surfaces up to 1 1/4" thick.
- Bottom of attachment bracket extends 1 1/2" below work surface.
- Screen accepts Customer's Own Material (COM). Yardage is estimated for nondirectional 54"-wide fabrics.
- For vertical fabric direction (T):  
Height—Yardage  
13—0.94
- For horizontal fabric direction (R):  
Height—Yardage  
13—1.00
- For information on multiple quantities or directional fabrics, contact COM Department. See Order Information in Appendices.

**Dimensions**



**Specification Information**

**Step 1.**

**Y1119.** [A]

**Step 2. Height**

**13** 13" high [A]

**Step 3. Surface Material**

**R** tackable fabric, horizontal [A]

**T** tackable fabric [A]

**Prices for Steps 1-3.**

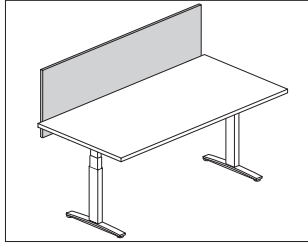
	<b>R</b>	<b>T</b>
<b>Y1119. 13</b>	\$474	474

**Step 4. Surface Finish**

Price Category 1	+\$0
Price Category 2	+\$11
Price Category 3	+\$23
Price Category 4	+\$47
Price Category 5	+\$80
Price Category C	+\$66

# Laminate Screen, Surface Attached

Y1120.



## Product Information

### Description

This screen attaches to an individual height adjustable work surface. It has a laminate surface with frameless design and comes in privacy and modesty sizes. Attachment hardware included.

### Notes

Privacy and modesty panel actual width is 2" less than specified width.

Privacy screen (13A) top edge aligns with the 42"-high Canvas datum line; bottom edge is 4" below work surface.

Privacy & modesty screen (13B) top edge aligns with the 42"-high Canvas datum line; bottom edge is 11 1/8" below work surface.

Screens 54" wide and wider include an additional 1"-wide center mounting bracket.

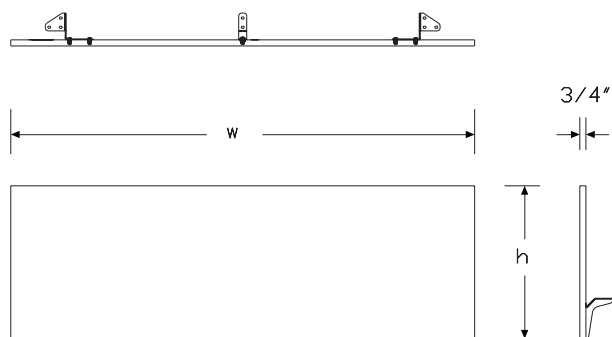
Recommended mounting creates a 1" gap between back edge of surface and the screen to accommodate cable routing and the attachment or clamp-mounting of other hardware to the surface.

Optional cable management trough is only available when specifying privacy & modesty height option (13B). Trough finish is graphite.

Attachment brackets are inset from edge of screen by approximately 8" and require 2 1/2" of work surface for attachment.

Attachment bracket finish is painted graphite.

## Dimensions



## Specification Information

### Step 1.

**Y1120.**

### Step 2. Height

**13A** privacy (13 1/2" above worksurface)

**13B** privacy & modesty (13 1/2" above worksurface/11 1/8" below worksurface)

### Step 3. Width

**24** 24" wide

**30** 30" wide

**36** 36" wide

**42** 42" wide

**48** 48" wide

**54** 54" wide

**60** 60" wide

**66** 66" wide

**72** 72" wide

### Step 4. Surface Material

**L** thermally-fused laminate

**U** thermally-fused laminate/universal edge

## Prices for Steps 1-4.

	L	U
<b>Y1120. 13A 24</b>	\$256	256
<b>30</b>	\$272	272
<b>36</b>	\$286	286
<b>42</b>	\$300	300
<b>48</b>	\$314	314
<b>54</b>	\$327	327
<b>60</b>	\$337	337
<b>66</b>	\$348	348
<b>72</b>	\$362	362
<b>13B 24</b>	\$316	316
<b>30</b>	\$333	333
<b>36</b>	\$350	350
<b>42</b>	\$368	368
<b>48</b>	\$386	386
<b>54</b>	\$400	400
<b>60</b>	\$417	417
<b>66</b>	\$429	429
<b>72</b>	\$443	443

# Laminate Screen, Surface Attached *continued*

Thrive™ Screens

## Step 5. Grain Direction

*For 24" wide (24), 30" wide (30), 36" wide (36), 42" wide (42), 48" wide (48), 54" wide (54), or 60" wide (60)*

<b>VTG</b>	vertical grain	+\$0
<b>HRG</b>	horizontal grain	+\$0

*For 66" wide (66) or 72" wide (72)*

<b>HRG</b>	horizontal grain	+\$0
------------	------------------	------

## Step 6. Cable Trough

*For privacy (13<sup>1</sup>/<sub>2</sub>" above worksurface) (13A)*

<b>NC</b>	no cable way	+\$0
-----------	--------------	------

*For privacy & modesty (13<sup>1</sup>/<sub>2</sub>" above worksurface/11<sup>1</sup>/<sub>8</sub>" below worksurface) (13B)*

<b>NC</b>	no cable way	+\$0
<b>CW</b>	cable way	+\$25

## Step 7. Surface Finish

<b>76</b>	light brown walnut	+\$0
<b>8Q</b>	folkstone grey	+\$0
<b>91</b>	white	+\$0
<b>98</b>	studio white	+\$0
<b>CL</b>	cool grey neutral	+\$0
<b>HM</b>	natural maple	+\$0
<b>HP</b>	light anigre	+\$0
<b>HX</b>	aged cherry	+\$0
<b>LBA</b>	clear on ash	+\$0
<b>LBR</b>	phantom ecru	+\$0
<b>LBS</b>	phantom cocoa	+\$0
<b>LBU</b>	medium matte walnut	+\$0
<b>LBV</b>	warm grey teak	+\$0
<b>LBB</b>	oak on ash	+\$0
<b>LBC</b>	walnut on ash	+\$0
<b>LBF</b>	neutral twill	+\$0
<b>LBJ</b>	graphite twill	+\$0
<b>LBQ</b>	white twill	+\$0
<b>LU</b>	soft white	+\$0
<b>WL</b>	sandstone	+\$0
<b>WN</b>	warm grey neutral	+\$0

## Step 8. Edge Finish

*For thermally-fused laminate (L)*

<b>76</b>	light brown walnut	+\$0
<b>8Q</b>	folkstone grey	+\$0
<b>91</b>	white	+\$0
<b>98</b>	studio white	+\$0
<b>BU</b>	black umber	+\$0
<b>CL</b>	cool grey neutral	+\$0
<b>HF</b>	inner tone light	+\$0
<b>HM</b>	natural maple	+\$0
<b>HP</b>	light anigre	+\$0
<b>HX</b>	aged cherry	+\$0
<b>LBA</b>	clear on ash	+\$0
<b>LBR</b>	phantom ecru	+\$0
<b>LBS</b>	phantom cocoa	+\$0
<b>LBU</b>	medium matte walnut	+\$0
<b>LBV</b>	warm grey teak	+\$0
<b>LBB</b>	oak on ash	+\$0
<b>LBC</b>	walnut on ash	+\$0
<b>LBF</b>	neutral twill	+\$0
<b>LBJ</b>	graphite twill	+\$0
<b>LBQ</b>	white twill	+\$0
<b>LU</b>	soft white	+\$0
<b>WL</b>	sandstone	+\$0
<b>WN</b>	warm grey neutral	+\$0

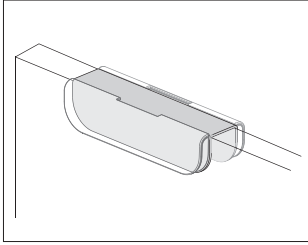
*For thermally-fused laminate/universal edge (U)*

<b>PLY</b>	plywood edge	+\$50
------------	--------------	-------



# Name Tag Clip

Y1121.



## Product Information

### Description

This metal name tag clip hangs on surface-attached laminate screens. It can hold 2 or 4 name tags.

### Notes

The 2-name-tag clip (2) holds 2 magnetic name tags (YT410.05M) in a back-to-back orientation.

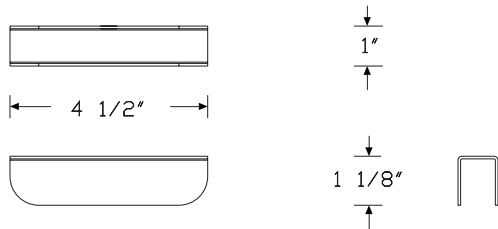
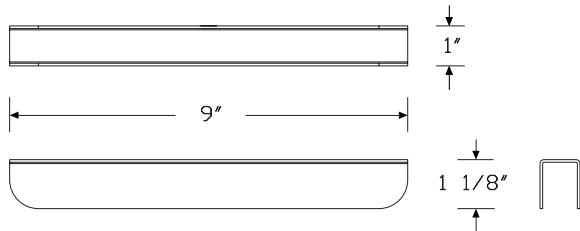
The 4-name-tag clip (4) holds 2 magnetic name tags (YT410.05M) side-by-side on the front side, and 2 side-by-side on the back side.

Name tag clip can hang on any HermanMiller laminate screen.

Order magnetic name tag (YT410.05M) separately.

Order name tag insert for magnetic name tag (O.YT1900) separately through Sales Source.

## Dimensions



## Specification Information

### Step 1.

**Y1121.** [A]

### Step 2. Screen Type

**L** thermally-fused laminate [A]

### Step 3. Application

**2** 2 magnetic name tags [A]

**4** 4 magnetic name tags [A]

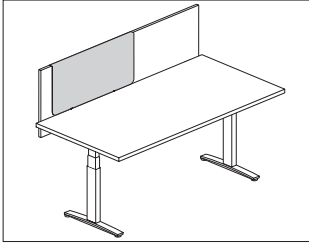
### Prices for Steps 1-3.

	<b>2</b>	<b>4</b>
<b>Y1121. L</b>	\$27	38

### Step 4. Screen Finish

<b>91</b> white [A]	+\$0
<b>G1</b> graphite [A]	+\$0
<b>MS</b> metallic silver [A]	+\$0
<b>SNB</b> satin bronze [A]	+\$10

Metal Board, Screen Attached Y1122.



**Product Information**

**Description**

This metal board hangs on surface-attached laminate screens. It has a frameless, all-metal design with a straight edge. It accepts magnets and can be dry-erase marker writable when used with the magnetic marker board.

**Notes**

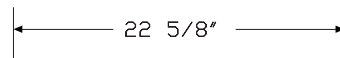
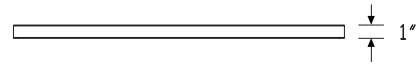
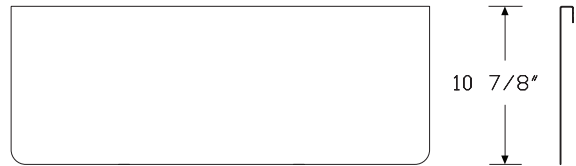
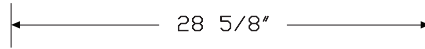
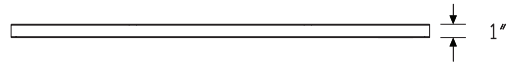
Metal board can hang on any HermanMiller laminate screen.

Order the following accessories separately:

- Magnetic document clip (YT400.)
- Magnetic name tag (YT410.05M)
- Magnetic marker board (YT450.)

Thrive™ Screens

**Dimensions**



# Metal Board, Screen Attached

continued

## Specification Information

Step 1.

**Y1122.**  A

Step 2. Screen Type

**L** thermally-fused laminate  A

Step 3. Height

**A** 11" high  A

Step 4. Width

**24** 24" wide  A

**30** 30" wide  A

Prices for Steps 1-4.

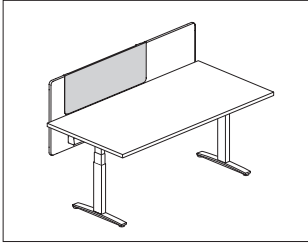
	<b>24</b>	<b>30</b>
<b>Y1122. L A</b>	\$135	148

Step 5. Screen Finish

<b>91</b> white <input type="checkbox"/> A	+\$0
<b>G1</b> graphite <input type="checkbox"/> A	+\$0
<b>MS</b> metallic silver <input type="checkbox"/> A	+\$0
<b>SNB</b> satin bronze <input type="checkbox"/> A	+\$10

# Metal Marker Board, Fabric Screen Attached

Y1123.



Thrive™ Screens

## Product Information

### Description

This magnetic metal board overlays an existing Pari™ or flat-edge fabric screen. It has a frameless, all-metal design with a straight edge. It accepts magnets and can be dry-erase marker writable when specified as a marker board.

### Notes

Order Pari or flat edge profile fabric screen separately.

Metal board hangs on top edge of Pari or flat edge fabric screen.

When specifying marker board (Y1123.M) option, the marker board is an included applique magnetically applied in the field.

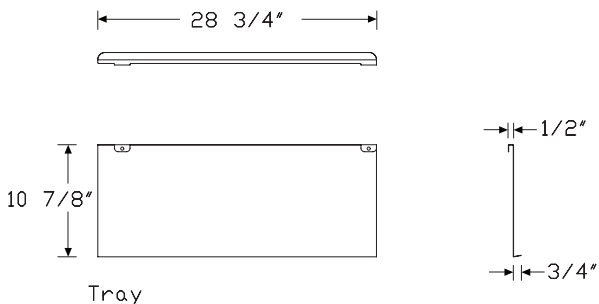
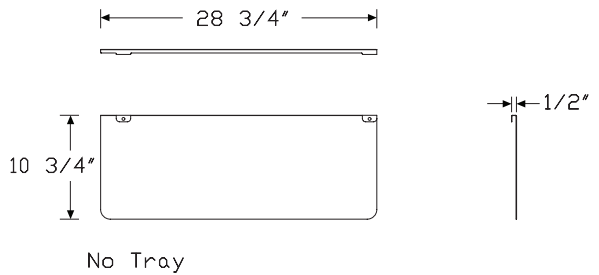
Board with tray (Y1123.xxxxT) option comes with an angled 3/4" lip at bottom of board.

For optimal use, pair with dark fabric screens.

Order the following accessories separately:

- Magnetic document clip (YT400.)
- Magnetic name tag (YT410.05M)
- Pari screen, height adjustable table (Y1116.)
- Surface attached screen, flat edge (Y1118.)

### Dimensions



## Specification Information

### Step 1.

**Y1123.**  A

### Step 2. Type

**P** painted metal  A

**M** marker board  A

### Step 3. Height

**11** 11" high  A

### Step 4. Width

**24** 24" wide  A

**30** 30" wide  A

### Step 5. Tray

**N** no tray  A

**T** tray  A

### Prices for Steps 1-5.

		24N	24T	30N	30T
<b>Y1123. P</b>	<b>11</b>	\$170	170	182	182
	<b>M 11</b>	\$238	238	265	265

### Step 6. Finish

#### Metallic Paint

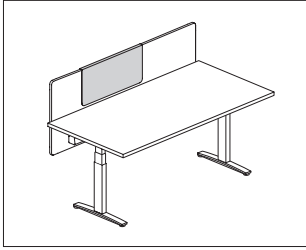
<b>MS</b>	metallic silver <input type="checkbox"/> A	+\$0
<b>SNB</b>	satin bronze <input type="checkbox"/> A	+\$10

#### Sand Texture Paint

<b>91</b>	white <input type="checkbox"/> A	+\$0
<b>G1</b>	graphite <input type="checkbox"/> A	+\$0

# Metal Marker Board, Screen Attached

Y1124.



## Product Information

### Description

This magnetic metal board overlays an existing laminate, Pari™ fabric, flat-edge fabric, PET, or fabric-wrapped LDF surface-attached screen. It has a frameless, all-metal design with a straight edge. It accepts magnets and can be dry-erase marker writable when specified as a marker board.

### Notes

Order laminate, Pari or flat-edge profile fabric, PET, and fabric-wrapped LDF screens separately.

Metal board hangs on top edge of HermanMiller® laminate screen, Pari or flat-edge fabric screen, PET, and fabric-wrapped LDF screen.

When specifying marker board (Y1124.xM) option, the marker board is an included applique magnetically applied in the field.

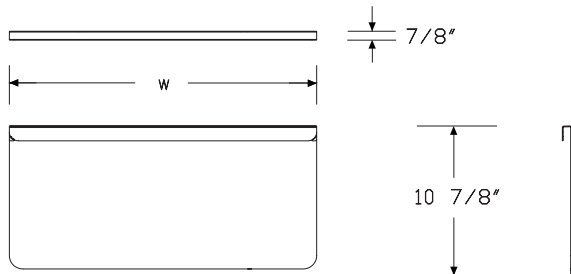
Board with tray (Y1124.FxxxxT) option comes with an angled 3/4" lip at bottom of board.

For optimal use, pair with dark fabric screens.

Order the following accessories separately:

- Magnetic document clip (YT400.)
- Magnetic name tag (YT410.05M)
- Pari screen, height adjustable table (Y1116.)
- Surface attached screen, flat edge (Y1118.)
- Laminate screen, surface attached (Y1120.)

## Dimensions



## Specification Information

### Step 1.

**Y1124.**  A

### Step 2. Screen Attachment Type

- D** thin profile fabric screen  A
- L** laminate  A
- E** PET  A
- F** fabric  A

### Step 3. Surface Finish

- P** painted metal  A
- M** marker board  A

### Step 4. Height

**11** 11" high  A

### Step 5. Width

- 24** 24" wide  A
- 30** 30" wide  A

### Step 6. Tray

*For thin profile fabric screen (D), laminate (L), or PET (E)*

**N** no tray  A

*For fabric (F)*

**N** no tray  A

**T** tray  A

### Prices for Steps 1-6.

			1124N	1124T	1130N	1130T
<b>Y1124. D</b>	<b>P</b>		\$170	—	182	—
	<b>M</b>		\$238	—	265	—
	<b>L</b>	<b>P</b>	\$135	—	148	—
		<b>M</b>	\$238	—	265	—
	<b>E</b>	<b>P</b>	\$170	—	182	—
		<b>M</b>	\$238	—	265	—
	<b>F</b>	<b>P</b>	\$170	170	182	182
		<b>M</b>	\$238	238	265	265

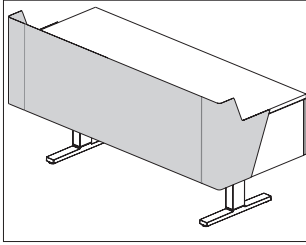
# Metal Marker Board, Screen

Attached *continued*

Thrive™ Screens

Step 7. Finish		
<b>CN</b>	metallic champagne <input type="checkbox"/>	+\$0
<b>EH</b>	metallic bronze <input type="checkbox"/>	+\$0
<b>MS</b>	metallic silver <input type="checkbox"/>	+\$0
<b>SNA</b>	satin aluminum <input type="checkbox"/>	+\$10
<b>SNB</b>	satin bronze <input type="checkbox"/>	+\$10
<b>SNC</b>	satin carbon <input type="checkbox"/>	+\$10
<b>8Q</b>	folkstone grey <input type="checkbox"/>	+\$0
<b>91</b>	white <input type="checkbox"/>	+\$0
<b>98</b>	studio white <input type="checkbox"/>	+\$0
<b>BK</b>	black <input type="checkbox"/>	+\$0
<b>CL</b>	cool grey neutral <input type="checkbox"/>	+\$0
<b>G1</b>	graphite <input type="checkbox"/>	+\$0
<b>WL</b>	sandstone <input type="checkbox"/>	+\$0
<b>WN</b>	warm grey neutral <input type="checkbox"/>	+\$0

# Vista Privacy + Modesty Screen - Y1130. Double Sided, Height Adjustable Table



## Product Information

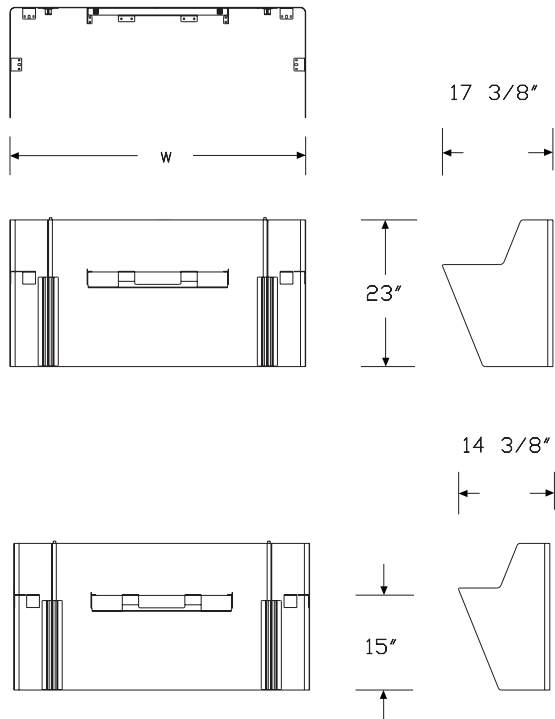
### Description

This sheet metal privacy + modesty screen attaches to a Motia® Vista™ height adjustable table. The screen wraps around both ends of the work surface. Attachment hardware included.

### Notes

- Actual screen width is 2" less than specified width.
- Privacy top edge is 7" above top of work surface at a 36" datum height.
- Bottom edge of screen is 15" below top of work surface.
- Recommended mounting creates a 1" gap between back edge of surface and the screen to accommodate cable routing and the attachment or clamp-mounting of other hardware to the surface.
- There is not enough clearance for an open frame screen (FG345.) to be mounted above the work surface.

### Dimensions



## Specification Information

### Step 1.

**Y1130.** [A]

### Step 2. Height

**A36** 36" high/15" below work surface [A]

### Step 3. Depth

**24** 24" deep [A]

**30** 30" deep [A]

### Step 4. Width

**48** 48" wide [A]

**54** 54" wide [A]

**60** 60" wide [A]

**66** 66" wide [A]

**72** 72" wide [A]

### Prices for Steps 1-4.

	48	54	60	66	72
<b>Y1130. A36 24</b>	\$970	1009	1049	1099	1161
<b>30</b>	\$1014	1055	1096	1151	1206

### Step 5. Screen Finish

#### Smooth Paint

<b>8Q</b>	folkstone grey [A]	+\$0
<b>91</b>	white [A]	+\$0
<b>98</b>	studio white [A]	+\$0
<b>CL</b>	cool grey neutral [A]	+\$0
<b>WL</b>	sandstone [A]	+\$0
<b>WN</b>	warm grey neutral [A]	+\$0

#### Metallic Paint

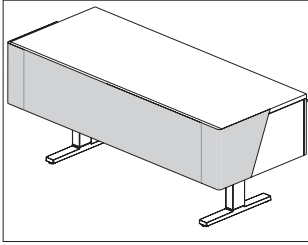
<b>SNA</b>	satin aluminum [A]	+\$10
<b>SNB</b>	satin bronze [A]	+\$10
<b>SNC</b>	satin carbon [A]	+\$10
<b>CN</b>	metallic champagne [A]	+\$0
<b>EH</b>	metallic bronze [A]	+\$0
<b>MS</b>	metallic silver [A]	+\$0

#### Sand Texture Paint

<b>BK</b>	black [A]	+\$0
<b>G1</b>	graphite [A]	+\$0

# Vista Modesty Screen - Double Sided, Height Adjustable Table

Y1131.



Thrive™ Screens

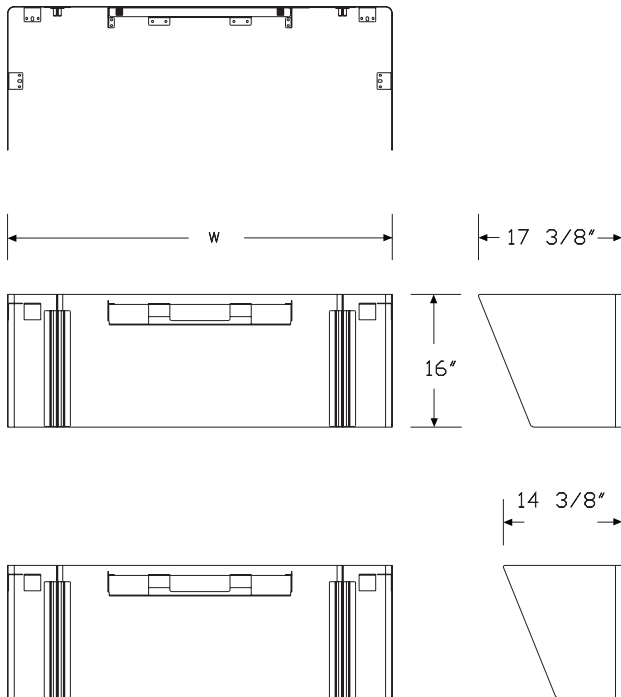
## Product Information

**Description**  
This sheet metal modesty screen attaches to a Motia® Vista™ height adjustable table. The screen wraps around both ends of the work surface. Attachment hardware included.

## Notes

Actual screen width is 2" less than specified width.  
Bottom edge of screen is 15" below top of work surface.  
Recommended mounting creates a 1" gap between back edge of surface and the screen to accommodate cable routing and the attachment or clamp-mounting of other hardware to the surface.  
There is enough clearance for an open frame screen (FG345.) to be mounted above the work surface. Order separately.

## Dimensions



## Specification Information

### Step 1.

**Y1131.** [A]

### Step 2. Depth

<b>24</b>	24" deep	[A]
<b>30</b>	30" deep	[A]

### Step 3. Width

<b>48</b>	48" wide	[A]
<b>54</b>	54" wide	[A]
<b>60</b>	60" wide	[A]
<b>66</b>	66" wide	[A]
<b>72</b>	72" wide	[A]

### Prices for Steps 1-3.

	<b>48</b>	<b>54</b>	<b>60</b>	<b>66</b>	<b>72</b>
<b>Y1131. 24</b>	\$790	808	825	900	974
<b>30</b>	\$817	834	850	925	1002

### Step 4. Screen Finish

#### Smooth Paint

<b>8Q</b>	folkstone grey	[A]	+\$0
<b>91</b>	white	[A]	+\$0
<b>98</b>	studio white	[A]	+\$0
<b>CL</b>	cool grey neutral	[A]	+\$0
<b>WL</b>	sandstone	[A]	+\$0
<b>WN</b>	warm grey neutral	[A]	+\$0

#### Metallic Paint

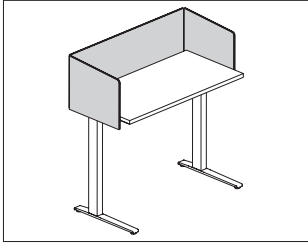
<b>SNA</b>	satin aluminum	[A]	+\$10
<b>SNB</b>	satin bronze	[A]	+\$10
<b>SNC</b>	satin carbon	[A]	+\$10
<b>CN</b>	metallic champagne	[A]	+\$0
<b>EH</b>	metallic bronze	[A]	+\$0
<b>MS</b>	metallic silver	[A]	+\$0

#### Sand Texture Paint

<b>BK</b>	black	[A]	+\$0
<b>G1</b>	graphite	[A]	+\$0



# Ambit™ Height Adjustable Table Y1150. Screen, Thin Profile Fabric



## Product Information

### Description

This environmentally friendly, surface-attached tackable screen attaches to an individual table, desk, or work surface. It has a frameless, all-fabric design with a flat edge, and comes in privacy and modesty sizes. Attachment hardware included.

### Notes

Privacy and modesty panel actual width is 2" less than specified width.

For side-attached (S) privacy screens (A), (C), and (E), top edge is 13" above top of work surface; bottom edge is 3 3/4" below work surface.

For side-attached (S) privacy & modesty screens (B), (D), and (F), top edge is 13" above top of work surface; bottom edge is 10" below work surface.

For both top mount (T) and side mount (S) screens (A) and (B), top edge aligns with the 42"-high Canvas datum line.

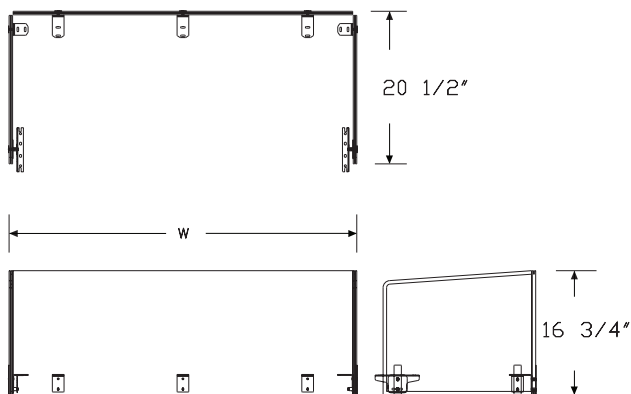
For both top mount (T) and side mount (S) screens (C) and (D), top edge aligns with the 46"-high Canvas datum line.

For both top mount (T) and side mount (S) screens (E) and (F), top edge aligns with the 53"-high Canvas datum line.

Side-attached (S) screens contain a center bracket.

Side-attached (S) bracket finish is painted graphite; for top mount (T) screens bracket color is specified.

## Dimensions



## Specification Information

### Step 1.

**Y1150.**

### Step 2. Table Type

<b>MT</b>	Motia
<b>NL</b>	Nevi Link
<b>NT</b>	Nevi
<b>RL</b>	Renew Link
<b>RT</b>	Renew

### Step 3. Application

#### For Motia (MT), Nevi (NT), or Renew (RT)

<b>L</b>	left hand return
<b>R</b>	right hand return
<b>S</b>	back screen only
<b>U</b>	right and left return screen, U screen

#### For Nevi Link (NL) or Renew Link (RL)

<b>L</b>	left hand return
<b>R</b>	right hand return
<b>U</b>	right and left return screen, U screen

### Step 4. Attachment Method

#### For Motia (MT), Nevi (NT), or Renew (RT) with back screen only (S)

<b>S</b>	attached on outside of work surface (for use with freestanding table)
----------	---

#### For Motia (MT), Nevi (NT), or Renew (RT) with left hand return (L), right hand return (R), or right and left return screen, U screen (U)

<b>S</b>	attached on outside of work surface (for use with freestanding table)
<b>T</b>	mounted on top of work surface (for benching applications)

#### For Nevi Link (NL) or Renew Link (RL) with left hand return (L), right hand return (R), or right and left return screen, U screen (U)

<b>T</b>	mounted on top of work surface (for benching applications)
----------	--

# Ambit™ Height Adjustable Table Screen, Thin Profile Fabric *continued*

Thrive™ Screens

## Step 5. Height

*For attached on outside of work surface (for use with freestanding table) (S)*

<b>A</b>	privacy (42" high)
<b>B</b>	privacy & modesty (42" high/10" below surface)
<b>C</b>	privacy (46" high)
<b>D</b>	privacy & modesty (46" high/10" below surface)
<b>E</b>	privacy (53" high)
<b>F</b>	privacy & modesty (53" high/10" below surface)

*For mounted on top of work surface (for benching applications) (T)*

<b>A</b>	privacy (42" high)
<b>C</b>	privacy (46" high)
<b>E</b>	privacy (53" high)

## Step 6. Width

*For Motia (MT), Nevi (NT), or Renew (RT) with left hand return (L), right hand return (R), or right and left return screen, U screen (U) with privacy & modesty (42" high/10" below surface) (B) or privacy & modesty (46" high/10" below surface) (D)*

<b>48</b>	48" wide
<b>54</b>	54" wide
<b>60</b>	60" wide
<b>66</b>	66" wide
<b>72</b>	72" wide

*For Renew (RT) with back screen only (S) with privacy (42" high) (A), privacy & modesty (42" high/10" below surface) (B), privacy (46" high) (C), privacy & modesty (46" high/10" below surface) (D), privacy (53" high) (E), or privacy & modesty (53" high/10" below surface) (F)*

<b>36</b>	36" wide
<b>42</b>	42" wide
<b>48</b>	48" wide
<b>54</b>	54" wide
<b>60</b>	60" wide
<b>66</b>	66" wide
<b>72</b>	72" wide

*For Motia (MT) or Nevi (NT) with back screen only (S) with privacy (42" high) (A), privacy & modesty (42" high/10" below surface) (B), privacy (46" high) (C), privacy & modesty (46" high/10" below surface) (D), privacy (53" high) (E), or privacy & modesty (53" high/10" below surface) (F)*

<b>48</b>	48" wide
<b>54</b>	54" wide
<b>60</b>	60" wide
<b>66</b>	66" wide
<b>72</b>	72" wide

*For Motia (MT), Nevi (NT), or Renew (RT) with left hand return (L), right hand return (R), or right and left return screen, U screen (U) with privacy & modesty (53" high/10" below surface) (F)*

<b>48</b>	48" wide
<b>54</b>	54" wide
<b>60</b>	60" wide
<b>66</b>	66" wide
<b>72</b>	72" wide

*For Motia (MT), Nevi Link (NL), Nevi (NT), Renew Link (RL), or Renew (RT) with left hand return (L), right hand return (R), or right and left return screen, U screen (U) with privacy (42" high) (A) or privacy (46" high) (C)*

<b>48</b>	48" wide
<b>54</b>	54" wide
<b>60</b>	60" wide
<b>66</b>	66" wide
<b>72</b>	72" wide

*For Motia (MT), Nevi Link (NL), Nevi (NT), Renew Link (RL), or Renew (RT) with left hand return (L), right hand return (R), or right and left return screen, U screen (U) with privacy (53" high) (E)*

<b>48</b>	48" wide
<b>54</b>	54" wide
<b>60</b>	60" wide
<b>66</b>	66" wide
<b>72</b>	72" wide

## Step 7. Table Depth

*For left hand return (L), right hand return (R), or right and left return screen, U screen (U)*

<b>24</b>	24" deep
<b>30</b>	30" deep

# Ambit™ Height Adjustable Table Screen, Thin Profile Fabric *continued*

For back screen only (S)

**00** no depth selection needed

Step 8. Surface Material

**R** tackable fabric, horizontal

Prices for Steps 1-8.

	SA3600R	SA4200R	SA4800R	SA4824R	SA4830R	SA5400R
<b>Y1150. MT L</b>	—	—	—	\$773	785	—
<b>R</b>	—	—	—	\$773	773	—
<b>S</b>	—	—	\$546	—	—	580
<b>U</b>	—	—	—	\$1034	1034	—
<b>NT L</b>	—	—	—	\$773	773	—
<b>R</b>	—	—	—	\$773	773	—
<b>S</b>	—	—	\$546	—	—	580
<b>U</b>	—	—	—	\$1034	1034	—
<b>RT L</b>	—	—	—	\$773	773	—
<b>R</b>	—	—	—	\$773	773	—
<b>S</b>	\$474	510	546	—	—	580
<b>U</b>	—	—	—	\$1034	1034	—

	SA5424R	SA5430R	SA6000R	SA6024R	SA6030R	SA6600R
<b>Y1150. MT L</b>	\$831	851	—	867	900	—
<b>R</b>	\$831	851	—	867	900	—
<b>S</b>	—	—	\$630	—	—	660
<b>U</b>	\$1112	1140	—	1158	1201	—
<b>NT L</b>	\$831	851	—	867	900	—
<b>R</b>	\$831	851	—	867	900	—
<b>S</b>	—	—	\$630	—	—	660
<b>U</b>	\$1112	1140	—	1158	1201	—
<b>RT L</b>	\$831	851	—	867	900	—
<b>R</b>	\$831	851	—	867	900	—
<b>S</b>	—	—	\$630	—	—	660
<b>U</b>	\$1112	1140	—	1158	1201	—

	SA6624R	SA6630R	SA7200R	SA7224R	SA7230R	SB3600R
<b>Y1150. MT L</b>	\$897	941	—	936	992	—
<b>R</b>	\$897	941	—	936	992	—
<b>S</b>	—	—	\$702	—	—	—
<b>U</b>	\$1199	1258	—	1252	1328	—
<b>NT L</b>	\$897	941	—	936	992	—
<b>R</b>	\$897	941	—	936	992	—
<b>S</b>	—	—	\$702	—	—	—
<b>U</b>	\$1199	1258	—	1252	1328	—

<b>RT L</b>	\$897	941	—	936	992	—
<b>R</b>	\$897	941	—	936	992	—
<b>S</b>	—	—	\$702	—	—	529
<b>U</b>	\$1199	1258	—	1252	1328	—

	SB4200R	SB4800R	SB4824R	SB4830R	SB5400R	SB5424R
<b>Y1150. MT L</b>	—	—	\$797	834	—	855
<b>R</b>	—	—	\$797	797	—	855
<b>S</b>	—	\$596	—	—	628	—
<b>U</b>	—	—	\$1066	1066	—	1144
<b>NT L</b>	—	—	\$797	797	—	855
<b>R</b>	—	—	\$797	797	—	855
<b>S</b>	—	\$596	—	—	628	—
<b>U</b>	—	—	\$1066	1066	—	1144
<b>RT L</b>	—	—	\$797	797	—	855
<b>R</b>	—	—	\$797	797	—	855
<b>S</b>	\$566	596	—	—	628	—
<b>U</b>	—	—	\$1066	1066	—	1144

	SB5430R	SB6000R	SB6024R	SB6030R	SB6600R	SB6624R
<b>Y1150. MT L</b>	\$876	—	890	923	—	921
<b>R</b>	\$876	—	890	923	—	921
<b>S</b>	—	\$649	—	—	708	—
<b>U</b>	\$1172	—	1190	1233	—	1231
<b>NT L</b>	\$876	—	890	923	—	921
<b>R</b>	\$876	—	890	923	—	921
<b>S</b>	—	\$649	—	—	708	—
<b>U</b>	\$1172	—	1190	1233	—	1231
<b>RT L</b>	\$876	—	890	923	—	921
<b>R</b>	\$876	—	890	923	—	921
<b>S</b>	—	\$649	—	—	708	—
<b>U</b>	\$1172	—	1190	1233	—	1231

	SB6630R	SB7200R	SB7224R	SB7230R	SC3600R	SC4200R
<b>Y1150. MT L</b>	\$965	—	960	1017	—	—
<b>R</b>	\$965	—	960	1017	—	—
<b>S</b>	—	\$762	—	—	—	—
<b>U</b>	\$1289	—	1283	1360	—	—
<b>NT L</b>	\$965	—	960	1017	—	—
<b>R</b>	\$965	—	960	1017	—	—
<b>S</b>	—	\$762	—	—	—	—
<b>U</b>	\$1289	—	1283	1360	—	—
<b>RT L</b>	\$965	—	960	1017	—	—
<b>R</b>	\$965	—	960	1017	—	—
<b>S</b>	—	\$762	—	—	544	599
<b>U</b>	\$1289	—	1283	1360	—	—

Thrive™ Screens

Ambit™ Height Adjustable Table  
Screen, Thin Profile Fabric *continued*

Thrive™ Screens

	SC4800R	SC4824R	SC4830R	SC5400R	SC5424R	SC5430R
<b>Y1150. MT L</b>	—	\$889	889	—	948	969
<b>R</b>	—	\$889	889	—	948	969
<b>S</b>	\$672	—	—	707	—	—
<b>U</b>	—	\$1190	1190	—	1267	1295
<b>NT L</b>	—	\$889	889	—	948	969
<b>R</b>	—	\$889	889	—	948	969
<b>S</b>	\$672	—	—	707	—	—
<b>U</b>	—	\$1190	1190	—	1267	1295
<b>RT L</b>	—	\$889	889	—	948	969
<b>R</b>	—	\$889	889	—	948	969
<b>S</b>	\$672	—	—	707	—	—
<b>U</b>	—	\$1190	1190	—	1267	1295

	SC6000R	SC6024R	SC6030R	SC6600R	SC6624R	SC6630R
<b>Y1150. MT L</b>	—	\$983	1016	—	1013	1057
<b>R</b>	—	\$983	1016	—	1013	1057
<b>S</b>	\$791	—	—	832	—	—
<b>U</b>	—	\$1314	1357	—	1355	1414
<b>NT L</b>	—	\$983	1016	—	1013	1057
<b>R</b>	—	\$983	1016	—	1013	1057
<b>S</b>	\$791	—	—	832	—	—
<b>U</b>	—	\$1314	1357	—	1355	1414
<b>RT L</b>	—	\$983	1016	—	1013	1057
<b>R</b>	—	\$983	1016	—	1013	1057
<b>S</b>	\$791	—	—	832	—	—
<b>U</b>	—	\$1314	1357	—	1355	1414

	SC7200R	SC7224R	SC7230R	SD3600R	SD4200R	SD4800R
<b>Y1150. MT L</b>	—	\$1052	1110	—	—	—
<b>R</b>	—	\$1052	1110	—	—	—
<b>S</b>	\$891	—	—	—	—	764
<b>U</b>	—	\$1407	1484	—	—	—
<b>NT L</b>	—	\$1052	1110	—	—	—
<b>R</b>	—	\$1052	1110	—	—	—
<b>S</b>	\$891	—	—	—	—	764
<b>U</b>	—	\$1407	1484	—	—	—
<b>RT L</b>	—	\$1052	1110	—	—	—
<b>R</b>	—	\$1052	1110	—	—	—
<b>S</b>	\$891	—	—	718	734	764
<b>U</b>	—	\$1407	1484	—	—	—

	SD4824R	SD4830R	SD5400R	SD5424R	SD5430R	SD6000R
<b>Y1150. MT L</b>	\$904	904	—	963	983	—
<b>R</b>	\$904	904	—	963	983	—
<b>S</b>	—	—	\$785	—	—	870
<b>U</b>	\$1211	1211	—	1288	1316	—

<b>NT L</b>	\$904	904	—	963	983	—
<b>R</b>	\$904	904	—	963	983	—
<b>S</b>	—	—	\$785	—	—	870
<b>U</b>	\$1211	1211	—	1288	1316	—
<b>RT L</b>	\$904	904	—	963	983	—
<b>R</b>	\$904	904	—	963	983	—
<b>S</b>	—	—	\$785	—	—	870
<b>U</b>	\$1211	1211	—	1288	1316	—

	SD6024R	SD6030R	SD6600R	SD6624R	SD6630R	SD7200R
<b>Y1150. MT L</b>	\$998	1030	—	1028	1072	—
<b>R</b>	\$998	1030	—	1028	1072	—
<b>S</b>	—	—	\$941	—	—	980
<b>U</b>	\$1334	1378	—	1376	1434	—
<b>NT L</b>	\$998	1030	—	1028	1072	—
<b>R</b>	\$998	1030	—	1028	1072	—
<b>S</b>	—	—	\$941	—	—	980
<b>U</b>	\$1334	1378	—	1376	1434	—
<b>RT L</b>	\$998	1030	—	1028	1072	—
<b>R</b>	\$998	1030	—	1028	1072	—
<b>S</b>	—	—	\$941	—	—	980
<b>U</b>	\$1334	1378	—	1376	1434	—

	SD7224R	SD7230R	SE3600R	SE4200R	SE4800R	SE4824R
<b>Y1150. MT L</b>	\$1067	1124	—	—	—	966
<b>R</b>	\$1067	1124	—	—	—	966
<b>S</b>	—	—	—	—	\$793	—
<b>U</b>	\$1428	1504	—	—	—	1293
<b>NT L</b>	\$1067	1124	—	—	—	966
<b>R</b>	\$1067	1124	—	—	—	966
<b>S</b>	—	—	—	—	\$793	—
<b>U</b>	\$1428	1504	—	—	—	1293
<b>RT L</b>	\$1067	1124	—	—	—	966
<b>R</b>	\$1067	1124	—	—	—	966
<b>S</b>	—	—	\$652	766	793	—
<b>U</b>	\$1428	1504	—	—	—	1293

	SE4830R	SE5400R	SE5424R	SE5430R	SE6000R	SE6024R
<b>Y1150. MT L</b>	\$966	—	1024	1045	—	1059
<b>R</b>	\$966	—	1024	1045	—	1059
<b>S</b>	—	\$813	—	—	849	—
<b>U</b>	\$1293	—	1370	1398	—	1417
<b>NT L</b>	\$966	—	1024	1045	—	1059
<b>R</b>	\$966	—	1024	1045	—	1059
<b>S</b>	—	\$813	—	—	849	—
<b>U</b>	\$1293	—	1370	1398	—	1417

# Ambit™ Height Adjustable Table Screen, Thin Profile Fabric *continued*

<b>RT L</b>	\$966	—	1024	1045	—	1059
<b>R</b>	\$966	—	1024	1045	—	1059
<b>S</b>	—	\$813	—	—	849	—
<b>U</b>	\$1293	—	1370	1398	—	1417
	<b>SE6030R</b>	<b>SE6600R</b>	<b>SE6624R</b>	<b>SE6630R</b>	<b>SE7200R</b>	<b>SE7224R</b>
<b>Y1150. MT L</b>	\$1092	—	1090	1133	—	1129
<b>R</b>	\$1092	—	1090	1133	—	1129
<b>S</b>	—	\$926	—	—	986	—
<b>U</b>	\$1461	—	1458	1517	—	1510
<b>NT L</b>	\$1092	—	1090	1133	—	1129
<b>R</b>	\$1092	—	1090	1133	—	1129
<b>S</b>	—	\$926	—	—	986	—
<b>U</b>	\$1461	—	1458	1517	—	1510
<b>RT L</b>	\$1092	—	1090	1133	—	1129
<b>R</b>	\$1092	—	1090	1133	—	1129
<b>S</b>	—	\$926	—	—	986	—
<b>U</b>	\$1461	—	1458	1517	—	1510
	<b>SE7230R</b>	<b>SF3600R</b>	<b>SF4200R</b>	<b>SF4800R</b>	<b>SF4824R</b>	<b>SF4830R</b>
<b>Y1150. MT L</b>	\$1186	—	—	—	1044	1044
<b>R</b>	\$1186	—	—	—	1044	1044
<b>S</b>	—	—	—	\$804	—	—
<b>U</b>	\$1587	—	—	—	1396	1396
<b>NT L</b>	\$1186	—	—	—	1044	1044
<b>R</b>	\$1186	—	—	—	1044	1044
<b>S</b>	—	—	—	\$804	—	—
<b>U</b>	\$1587	—	—	—	1396	1396
<b>RT L</b>	\$1186	—	—	—	1044	1044
<b>R</b>	\$1186	—	—	—	1044	1044
<b>S</b>	—	\$780	785	804	—	—
<b>U</b>	\$1587	—	—	—	1396	1396
	<b>SF5400R</b>	<b>SF5424R</b>	<b>SF5430R</b>	<b>SF6000R</b>	<b>SF6024R</b>	<b>SF6030R</b>
<b>Y1150. MT L</b>	—	\$1103	1123	—	1138	1171
<b>R</b>	—	\$1103	1123	—	1138	1171
<b>S</b>	\$814	—	—	901	—	—
<b>U</b>	—	\$1474	1502	—	1520	1564
<b>NT L</b>	—	\$1103	1123	—	1138	1171
<b>R</b>	—	\$1103	1123	—	1138	1171
<b>S</b>	\$814	—	—	901	—	—
<b>U</b>	—	\$1474	1502	—	1520	1564
<b>RT L</b>	—	\$1103	1123	—	1138	1171
<b>R</b>	—	\$1103	1123	—	1138	1171
<b>S</b>	\$814	—	—	901	—	—
<b>U</b>	—	\$1474	1502	—	1520	1564

		<b>SF6600R</b>	<b>SF6624R</b>	<b>SF6630R</b>	<b>SF7200R</b>	<b>SF7224R</b>	<b>SF7230R</b>
<b>Y1150. MT L</b>	L	—	\$1167	1212	—	1207	1264
<b>R</b>	R	—	\$1167	1212	—	1207	1264
<b>S</b>	S	\$947	—	—	1144	—	—
<b>U</b>	U	—	\$1562	1620	—	1613	1691
<b>NT L</b>	L	—	\$1167	1212	—	1207	1264
<b>R</b>	R	—	\$1167	1212	—	1207	1264
<b>S</b>	S	\$947	—	—	1144	—	—
<b>U</b>	U	—	\$1562	1620	—	1613	1691
<b>RT L</b>	L	—	\$1167	1212	—	1207	1264
<b>R</b>	R	—	\$1167	1212	—	1207	1264
<b>S</b>	S	\$947	—	—	1144	—	—
<b>U</b>	U	—	\$1562	1620	—	1613	1691
		<b>TA4824R</b>	<b>TA4830R</b>	<b>TA5424R</b>	<b>TA5430R</b>	<b>TA6024R</b>	<b>TA6030R</b>
<b>Y1150. MT L</b>	L	\$773	773	831	851	867	900
<b>R</b>	R	\$773	773	831	851	867	900
<b>U</b>	U	\$1034	1034	1112	1140	1158	1201
<b>NL L</b>	L	\$773	773	831	851	867	900
<b>R</b>	R	\$773	773	831	851	867	900
<b>U</b>	U	\$1034	1034	1112	1140	1158	1201
<b>NT L</b>	L	\$773	773	831	851	867	900
<b>R</b>	R	\$773	773	831	851	867	900
<b>U</b>	U	\$1034	1034	1112	1140	1158	1201
<b>RL L</b>	L	\$773	773	831	851	867	900
<b>R</b>	R	\$773	773	831	851	867	900
<b>U</b>	U	\$1034	1034	1112	1140	1158	1201
<b>RT L</b>	L	\$773	773	831	851	867	900
<b>R</b>	R	\$773	773	831	851	867	900
<b>U</b>	U	\$1034	1034	1112	1140	1158	1201
		<b>TA6624R</b>	<b>TA6630R</b>	<b>TA7224R</b>	<b>TA7230R</b>	<b>TC4824R</b>	<b>TC4830R</b>
<b>Y1150. MT L</b>	L	\$897	941	936	992	889	889
<b>R</b>	R	\$897	941	936	992	889	889
<b>U</b>	U	\$1199	1258	1252	1328	1190	1190
<b>NL L</b>	L	\$897	941	936	992	889	889
<b>R</b>	R	\$897	941	936	992	889	889
<b>U</b>	U	\$1199	1258	1252	1328	1190	1190
<b>NT L</b>	L	\$897	941	936	992	889	889
<b>R</b>	R	\$897	941	936	992	889	889
<b>U</b>	U	\$1199	1258	1252	1328	1190	1190
<b>RL L</b>	L	\$897	941	936	992	889	889
<b>R</b>	R	\$897	941	936	992	889	889
<b>U</b>	U	\$1199	1258	1252	1328	1190	1190
<b>RT L</b>	L	\$897	941	936	992	889	889
<b>R</b>	R	\$897	941	936	992	889	889
<b>U</b>	U	\$1199	1258	1252	1328	1190	1190

Thrive™ Screens

# Ambit™ Height Adjustable Table Screen, Thin Profile Fabric *continued*

Thrive™ Screens

	TC5424R	TC5430R	TC6024R	TC6030R	TC6624R	TC6630R
<b>Y1150. MT L</b>	\$948	969	983	1016	1013	1057
<b>R</b>	\$948	969	983	1016	1013	1057
<b>U</b>	\$1267	1295	1314	1357	1355	1414
<b>NL L</b>	\$948	969	983	1016	1013	1057
<b>R</b>	\$948	969	983	1016	1013	1057
<b>U</b>	\$1267	1295	1314	1357	1355	1414
<b>NT L</b>	\$948	969	983	1016	1013	1057
<b>R</b>	\$948	969	983	1016	1013	1057
<b>U</b>	\$1267	1295	1314	1357	1355	1414
<b>RL L</b>	\$948	969	983	1016	1013	1057
<b>R</b>	\$948	969	983	1016	1013	1057
<b>U</b>	\$1267	1295	1314	1357	1355	1414
<b>RT L</b>	\$948	969	983	1016	1013	1057
<b>R</b>	\$948	969	983	1016	1013	1057
<b>U</b>	\$1267	1295	1314	1357	1355	1414

	TC7224R	TC7230R	TE4824R	TE4830R	TE5424R	TE5430R
<b>Y1150. MT L</b>	\$1052	1110	966	966	1024	1045
<b>R</b>	\$1052	1110	966	966	1024	1045
<b>U</b>	\$1407	1484	1293	1293	1370	1398
<b>NL L</b>	\$1052	1110	966	966	1024	1045
<b>R</b>	\$1052	1110	966	966	1024	1045
<b>U</b>	\$1407	1484	1293	1293	1370	1398
<b>NT L</b>	\$1052	1110	966	966	1024	1045
<b>R</b>	\$1052	1110	966	966	1024	1045
<b>U</b>	\$1407	1484	1293	1293	1370	1398
<b>RL L</b>	\$1052	1110	966	966	1024	1045
<b>R</b>	\$1052	1110	966	966	1024	1045
<b>U</b>	\$1407	1484	1293	1293	1370	1398
<b>RT L</b>	\$1052	1110	966	966	1024	1045
<b>R</b>	\$1052	1110	966	966	1024	1045
<b>U</b>	\$1407	1484	1293	1293	1370	1398

	TE6024R	TE6030R	TE6624R	TE6630R	TE7224R	TE7230R
<b>Y1150. MT L</b>	\$1059	1092	1090	1133	1129	1186
<b>R</b>	\$1059	1092	1090	1133	1129	1186
<b>U</b>	\$1417	1461	1458	1517	1510	1587
<b>NL L</b>	\$1059	1092	1090	1133	1129	1186
<b>R</b>	\$1059	1092	1090	1133	1129	1186
<b>U</b>	\$1417	1461	1458	1517	1510	1587
<b>NT L</b>	\$1059	1092	1090	1133	1129	1186
<b>R</b>	\$1059	1092	1090	1133	1129	1186
<b>U</b>	\$1417	1461	1458	1517	1510	1587
<b>RL L</b>	\$1059	1092	1090	1133	1129	1186
<b>R</b>	\$1059	1092	1090	1133	1129	1186
<b>U</b>	\$1417	1461	1458	1517	1510	1587

	RT L	\$1059	1092	1090	1133	1129	1186
<b>R</b>	\$1059	1092	1090	1133	1129	1186	
<b>U</b>	\$1417	1461	1458	1517	1510	1587	

## Step 9. Fabric

Price Category 1	+\$0
Price Category 2	+\$31
Price Category 3	+\$71
Price Category 4	+\$134
Price Category 5	+\$220
Price Category B	+\$120
Price Category C	+\$160
Price Category E	+\$220

## Step 10. Corner Cover Options

*For mounted on top of work surface (for benching applications) (T)*

<b>8Q</b>	folkstone grey	+\$0
<b>91</b>	white	+\$0
<b>98</b>	studio white	+\$0
<b>BK</b>	black	+\$0
<b>CL</b>	cool grey neutral	+\$0
<b>DB3</b>	glacier	+\$10
<b>DN2</b>	nightfall	+\$10
<b>DR1</b>	canyon	+\$10
<b>G1</b>	graphite	+\$0
<b>OLF</b>	olive	+\$10
<b>WN</b>	warm grey	+\$0

## Step 11. Bracket Color Options

*For mounted on top of work surface (for benching applications) (T)*

<b>MS</b>	metallic silver	+\$0
<b>8Q</b>	folkstone grey	+\$0
<b>91</b>	white	+\$0
<b>98</b>	studio white	+\$0
<b>BK</b>	black	+\$0
<b>G1</b>	graphite	+\$0
<b>WL</b>	sandstone	+\$0
<b>WN</b>	warm grey neutral	+\$0
<b>CN</b>	metallic champagne	+\$10
<b>DB3</b>	glacier	+\$10
<b>DN2</b>	nightfall	+\$10
<b>DR1</b>	canyon	+\$10
<b>OLF</b>	olive	+\$10
<b>SNA</b>	satin aluminum	+\$10
<b>SNB</b>	satin bronze	+\$10
<b>SNC</b>	satin carbon	+\$10

# Ambit™ Height Adjustable Table Screen, Thin Profile Fabric *continued*

## Step 12. Screen Accessories

<b>NN</b>	none	+\$0
<b>NH</b>	name tag holder (YT410)	+\$43
<b>MB</b>	24" painted metal markerboard (Y1124.DP)	+\$170
<b>ML</b>	30" painted metal markerboard (Y1124.DP)	+\$182
<b>DM</b>	24" writeable markerboard (Y1124.DM)	+\$238
<b>DL</b>	30" writeable markerboard (Y1124.DM)	+\$265

## Step 13. Screen Accessory Finish

*For name tag holder (YT410) (NH)*

<b>MS</b>	metallic silver	+\$0
-----------	-----------------	------

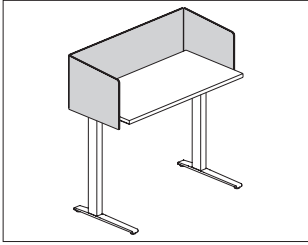
*For 24" painted metal markerboard (Y1124.DP) (MB), 30" painted metal markerboard (Y1124.DP) (ML), 24" writeable markerboard (Y1124.DM) (DM), or 30" writeable markerboard (Y1124.DM) (DL)*

<b>CN</b>	metallic champagne	+\$0
<b>MS</b>	metallic silver	+\$0
<b>SNA</b>	satin aluminum	+\$10
<b>SNB</b>	satin bronze	+\$10
<b>SNC</b>	satin carbon	+\$10

*For 24" painted metal markerboard (Y1124.DP) (MB), 30" painted metal markerboard (Y1124.DP) (ML), 24" writeable markerboard (Y1124.DM) (DM), or 30" writeable markerboard (Y1124.DM) (DL)*

<b>8Q</b>	folkstone grey	+\$0
<b>91</b>	white	+\$0
<b>98</b>	studio white	+\$0
<b>BK</b>	black	+\$0
<b>G1</b>	graphite	+\$0
<b>WL</b>	sandstone	+\$0
<b>WN</b>	warm grey neutral	+\$0

# Ambit™ Height Adjustable Table Y1155. Screen, PET



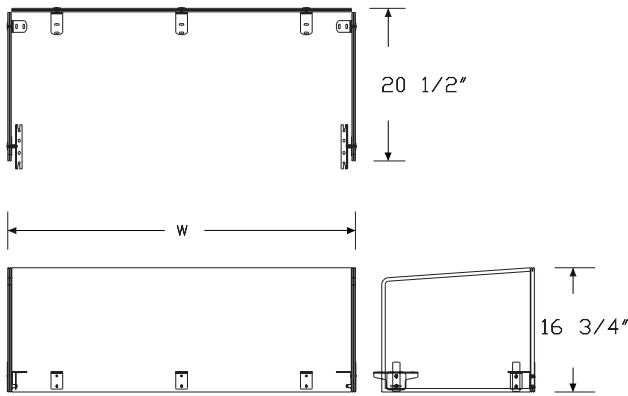
Thrive™ Screens

## Product Information

### Description

This surface-attached tackable screen attaches to an individual table, desk, or work surface. It has a frameless PET design with a flat edge and comes in privacy and modesty sizes. Attachment hardware included.

### Dimensions



## Specification Information

### Step 1.

**Y1155.**

### Step 2. Table Type

- MT** Motia
- NL** Nevi Link
- NT** Nevi
- RL** Renew Link
- RT** Renew

### Step 3. Application

*For Motia (MT), Nevi (NT), or Renew (RT)*

- L** left hand return
- R** right hand return
- U** right and left return screen, U screen

*For Nevi Link (NL) or Renew Link (RL)*

- L** left hand return
- R** right hand return
- U** right and left return screen, U screen

### Step 4. Attachment Method

*For Motia (MT), Nevi (NT), or Renew (RT) with left hand return (L), right hand return (R), or right and left return screen, U screen (U)*

- S** attached on outside of work surface (for use with freestanding table)
- T** mounted on top of work surface (for benching applications)

*For Nevi Link (NL) or Renew Link (RL) with left hand return (L), right hand return (R), or right and left return screen, U screen (U)*

- T** mounted on top of work surface (for benching applications)

### Step 5. Height

*For attached on outside of work surface (for use with freestanding table) (S)*

- A** privacy (42" high)
- B** privacy & modesty (42" high/10" below surface)
- C** privacy (46" high)
- D** privacy & modesty (46" high/10" below surface)

*For mounted on top of work surface (for benching applications) (T)*

- A** privacy (42" high)
- C** privacy (46" high)



# Ambit™ Height Adjustable Table Screen, PET *continued*

## Step 6. Width

<b>48</b>	48" wide
<b>54</b>	54" wide
<b>60</b>	60" wide
<b>66</b>	66" wide
<b>72</b>	72" wide

## Step 7. Table Depth

<b>24</b>	24" deep
<b>30</b>	30" deep

## Prices for Steps 1-7.

	SA4824	SA4830	SA5424	SA5430	SA6024	SA6030
<b>Y1155. MT L</b>	\$876	876	897	897	927	927
<b>R</b>	\$876	876	897	897	927	927
<b>U</b>	\$979	979	1051	1051	1082	1082
<b>NT L</b>	\$876	876	897	897	927	927
<b>R</b>	\$876	876	897	897	927	927
<b>U</b>	\$979	979	1051	1051	1082	1082
<b>RT L</b>	\$876	876	897	897	927	927
<b>R</b>	\$876	876	897	897	927	927
<b>U</b>	\$979	979	1051	1051	1082	1082

	SA6624	SA6630	SA7224	SA7230	SB4824	SB4830
<b>Y1155. MT L</b>	\$948	948	969	969	907	907
<b>R</b>	\$948	948	969	969	907	907
<b>U</b>	\$1185	1185	1494	1494	1185	1185
<b>NT L</b>	\$948	948	969	969	907	907
<b>R</b>	\$948	948	969	969	907	907
<b>U</b>	\$1185	1185	1494	1494	1185	1185
<b>RT L</b>	\$948	948	969	969	907	907
<b>R</b>	\$948	948	969	969	907	907
<b>U</b>	\$1185	1185	1494	1494	1185	1185

	SB5424	SB5430	SB6024	SB6030	SB6624	SB6630
<b>Y1155. MT L</b>	\$938	938	958	958	989	989
<b>R</b>	\$938	938	958	958	989	989
<b>U</b>	\$1236	1236	1288	1288	1494	1494
<b>NT L</b>	\$938	938	958	958	989	989
<b>R</b>	\$938	938	958	958	989	989
<b>U</b>	\$1236	1236	1288	1288	1494	1494
<b>RT L</b>	\$938	938	958	958	989	989
<b>R</b>	\$938	938	958	958	989	989
<b>U</b>	\$1236	1236	1288	1288	1494	1494

	SB7224	SB7230	SC4824	SC4830	SC5424	SC5430
<b>Y1155. MT L</b>	\$1010	1010	927	927	948	948
<b>R</b>	\$1010	1010	927	927	948	948
<b>U</b>	\$1568	1568	1236	1236	1288	1288
<b>NT L</b>	\$1010	1010	927	927	948	948
<b>R</b>	\$1010	1010	927	927	948	948
<b>U</b>	\$1568	1568	1236	1236	1288	1288
<b>RT L</b>	\$1010	1010	927	927	948	948
<b>R</b>	\$1010	1010	927	927	948	948
<b>U</b>	\$1568	1568	1236	1236	1288	1288

	SC6024	SC6030	SC6624	SC6630	SC7224	SC7230
<b>Y1155. MT L</b>	\$969	969	989	989	1010	1010
<b>R</b>	\$969	969	989	989	1010	1010
<b>U</b>	\$1339	1339	1442	1442	1545	1545
<b>NT L</b>	\$969	969	989	989	1010	1010
<b>R</b>	\$969	969	989	989	1010	1010
<b>U</b>	\$1339	1339	1442	1442	1545	1545
<b>RT L</b>	\$969	969	969	969	1010	1010
<b>R</b>	\$969	969	969	969	1010	1010
<b>U</b>	\$1339	1339	1442	1442	1545	1545

	SD4824	SD4830	SD5424	SD5430	SD6024	SD6030
<b>Y1155. MT L</b>	\$1334	1334	1345	1345	1391	1391
<b>R</b>	\$1334	1334	1345	1345	1391	1391
<b>U</b>	\$1442	1442	1545	1545	1648	1648
<b>NT L</b>	\$1334	1334	1345	1345	1391	1391
<b>R</b>	\$1334	1334	1345	1345	1391	1391
<b>U</b>	\$1442	1442	1545	1545	1648	1648
<b>RT L</b>	\$1334	1334	1345	1345	1391	1391
<b>R</b>	\$1334	1334	1345	1345	1391	1391
<b>U</b>	\$1442	1442	1545	1545	1648	1648

	SD6624	SD6630	SD7224	SD7230	TA4824	TA4830
<b>Y1155. MT L</b>	\$1448	1448	1551	1551	785	786
<b>R</b>	\$1448	1448	1551	1551	785	786
<b>U</b>	\$1854	1854	2060	2060	832	833
<b>NL L</b>	—	—	—	—	\$785	786
<b>R</b>	—	—	—	—	\$785	786
<b>U</b>	—	—	—	—	\$832	833
<b>NT L</b>	\$1447	1448	1551	1551	785	786
<b>R</b>	\$1448	1448	1551	1551	785	786
<b>U</b>	\$1854	1854	2060	2060	832	833
<b>RL L</b>	—	—	—	—	\$785	786
<b>R</b>	—	—	—	—	\$785	786
<b>U</b>	—	—	—	—	\$832	833

Ambit™ Height Adjustable Table  
Screen, PET *continued*

Thrive™ Screens

<b>RT</b>	<b>L</b>	\$1448	1448	1551	1551	785	786
<b>R</b>		\$1448	1448	1551	1551	785	786
<b>U</b>		\$1854	1854	2060	2060	832	833

**TA5424 TA5430 TA6024 TA6030 TA6624 TA6630**

<b>Y1155. MT</b>	<b>L</b>	\$793	793	824	824	861	861
<b>R</b>		\$793	793	824	824	861	861
<b>U</b>		\$835	835	934	935	937	937

<b>NL</b>	<b>L</b>	\$793	793	824	824	861	861
<b>R</b>		\$793	793	824	824	861	861
<b>U</b>		\$835	835	934	935	937	937

<b>NT</b>	<b>L</b>	\$793	793	824	824	861	861
<b>R</b>		\$793	793	824	824	861	861
<b>U</b>		\$835	835	934	935	937	937

<b>RL</b>	<b>L</b>	\$793	793	824	824	861	861
<b>R</b>		\$793	793	824	824	861	861
<b>U</b>		\$835	835	934	935	937	937

<b>RT</b>	<b>L</b>	\$793	793	824	824	861	861
<b>R</b>		\$793	793	824	824	861	861
<b>U</b>		\$835	835	934	935	937	937

**TA7224 TA7230 TC4824 TC4830 TC5424 TC5430**

<b>Y1155. MT</b>	<b>L</b>	\$899	900	887	888	907	907
<b>R</b>		\$899	900	887	888	907	907
<b>U</b>		\$942	943	934	935	937	937

<b>NL</b>	<b>L</b>	\$899	900	887	888	907	907
<b>R</b>		\$899	900	887	888	907	907
<b>U</b>		\$942	943	934	935	937	937

<b>NT</b>	<b>L</b>	\$899	900	887	888	907	907
<b>R</b>		\$899	900	887	888	907	907
<b>U</b>		\$942	943	934	935	937	937

<b>RL</b>	<b>L</b>	\$899	900	887	887	907	907
<b>R</b>		\$899	900	887	887	907	907
<b>U</b>		\$942	943	934	935	937	937

<b>RT</b>	<b>L</b>	\$899	900	887	888	907	907
<b>R</b>		\$899	900	887	888	907	907
<b>U</b>		\$942	943	934	935	937	937

**TC6024 TC6030 TC6624 TC6630 TC7224 TC7230**

<b>Y1155. MT</b>	<b>L</b>	\$938	938	979	979	1048	1048
<b>R</b>		\$938	938	979	979	1048	1048
<b>U</b>		\$1102	1103	1105	1105	1264	1269

<b>NL</b>	<b>L</b>	\$938	938	979	979	1048	1048
<b>R</b>		\$938	938	979	979	1048	1048
<b>U</b>		\$1102	1103	1105	1105	1269	1270

<b>NT</b>	<b>L</b>	\$938	938	979	979	1048	1048
<b>R</b>		\$938	938	979	979	1048	1048
<b>U</b>		\$1102	1103	1105	1105	1264	1269

<b>RL</b>	<b>L</b>	\$938	938	979	979	1048	1048
<b>R</b>		\$938	938	979	979	1048	1048
<b>U</b>		\$1102	1103	1105	1105	1269	1270

<b>RT</b>	<b>L</b>	\$938	938	979	979	1048	1048
<b>R</b>		\$938	938	979	979	1048	1048
<b>U</b>		\$1102	1103	1105	1105	1264	1269

Step 8. Material

<b>PHN</b>	heathered nightfall	+\$0
<b>PHO</b>	heathered olive	+\$0
<b>PLG</b>	cool heathered grey	+\$0

Step 9. Bracket Color Options

*For mounted on top of work surface (for benching applications) (T)*

<b>98</b>	studio white	+\$0
<b>BK</b>	black	+\$0
<b>CRB</b>	carbon	+\$0
<b>DN2</b>	nightfall	+\$10
<b>OLF</b>	olive	+\$10

Step 10. Screen Accessories

<b>MB</b>	24" painted metal markerboard (Y1124.DP)	+\$170
<b>NN</b>	none	+\$0
<b>NH</b>	name tag holder (YT410)	+\$43
<b>ML</b>	30" painted metal markerboard (Y1124.DP)	+\$182
<b>DM</b>	24" writeable markerboard (Y1124.DM)	+\$238
<b>DL</b>	30" writeable markerboard (Y1124.DM)	+\$265

Step 11. Screen Accessory Finish

*For name tag holder (YT410) (NH)*

<b>MS</b>	metallic silver	+\$0
-----------	-----------------	------

*For 24" painted metal markerboard (Y1124.DP) (MB), 30" painted metal markerboard (Y1124.DP) (ML), 24" writeable markerboard (Y1124.DM) (DM), or 30" writeable markerboard (Y1124.DM) (DL)*

<b>CN</b>	metallic champagne	+\$0
<b>MS</b>	metallic silver	+\$0
<b>SNA</b>	satin aluminum	+\$10
<b>SNB</b>	satin bronze	+\$10
<b>SNC</b>	satin carbon	+\$10

# Ambit™ Height Adjustable Table Screen, PET *continued*

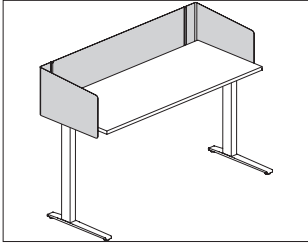
---

*For 24" painted metal markerboard (Y1124.DP) (MB), 30" painted metal markerboard (Y1124.DP) (ML), 24" writeable markerboard (Y1124.DM) (DM), or 30" writeable markerboard (Y1124.DM) (DL)*

---

<b>8Q</b>	folkstone grey	+\$0
<b>91</b>	white	+\$0
<b>98</b>	studio white	+\$0
<b>BK</b>	black	+\$0
<b>G1</b>	graphite	+\$0
<b>WL</b>	sandstone	+\$0
<b>WN</b>	warm grey neutral	+\$0

# Ambit™ Height Adjustable Table Y1160. Screen, Metal



Thrive™ Screens

## Product Information

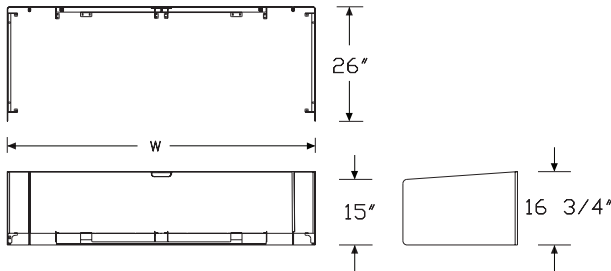
### Description

This surface-attached screen attaches to the work surface of a freestanding table. It is painted metal and comes in privacy size. An optional magnetic screen liner is user-adjustable without tools. Screen attachment hardware included.

### Notes

Privacy panel actual width is 2" less than specified width.  
 Privacy screen (A) top edge is 13" above top of work surface.  
 Privacy screen (A) top edge aligns with the 42"-high Canvas datum line; bottom edge is 4" below work surface.  
 Screens 54" wide and wider include an additional 1"-wide center mounting bracket.  
 Attachment bracket finish is painted graphite.

## Dimensions



## Specification Information

### Step 1.

**Y1160.**

### Step 2. Table Type

- MT** Motia
- NT** Nevi
- RT** Renew

### Step 3. Application

- U** right and left return screen, U screen

### Step 4. Attachment Method

- S** attached on outside of work surface (for use with freestanding table)

### Step 5. Height

- A** privacy (42" high)

### Step 6. Width

- 48** 48" wide
- 54** 54" wide
- 60** 60" wide
- 66** 66" wide
- 72** 72" wide

### Step 7. Table Depth

- 30** 30" deep

### Step 8. Screen Liner

- M** magnetic liner
- N** none

## Prices for Steps 1-8.

	SA4830M	SA4830N	SA5430M	SA5430N	SA6030M	SA6030N
<b>Y1160. MT U</b>	\$1415	800	1431	816	1449	834
<b>NT U</b>	\$1415	800	1431	816	1449	834
<b>RT U</b>	\$1415	800	1431	816	1449	834

	SA6630M	SA6630N	SA7230M	SA7230N
<b>Y1160. MT U</b>	\$1483	868	1624	1009
<b>NT U</b>	\$1483	868	1624	1009
<b>RT U</b>	\$1483	868	1624	1009

# Ambit™ Height Adjustable Table Screen, Metal *continued*

Step 9. Surface Finish		
<b>CN</b>	metallic champagne	+\$0
<b>MS</b>	metallic silver	+\$0
<b>SNA</b>	satin aluminum	+\$60
<b>SNB</b>	satin bronze	+\$60
<b>SNC</b>	satin carbon	+\$60
<b>8Q</b>	folkstone grey	+\$0
<b>91</b>	white	+\$0
<b>98</b>	studio white	+\$0
<b>BK</b>	black	+\$0
<b>DB3</b>	glacier	+\$50
<b>DN2</b>	nightfall	+\$50
<b>DR1</b>	canyon	+\$50
<b>G1</b>	graphite	+\$0
<b>OLF</b>	olive	+\$50
<b>WL</b>	sandstone	+\$0
<b>WN</b>	warm grey neutral	+\$0

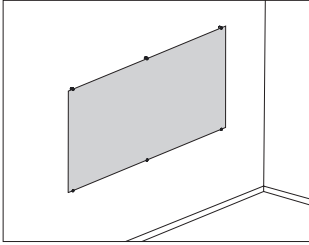
Step 10. Magnetic Screen Liner Finish		
<i>For magnetic liner (M)</i>		
Price Category 4		+\$0

Step 11. Screen Accessories		
<b>NH</b>	name tag holder (YT410)	+\$39
<b>NN</b>	none	+\$0

Step 12. Screen Accessory Finish		
<i>For name tag holder (YT410) (NH)</i>		
<b>MS</b>	metallic silver	+\$0

# Glass White Board

Y7232.

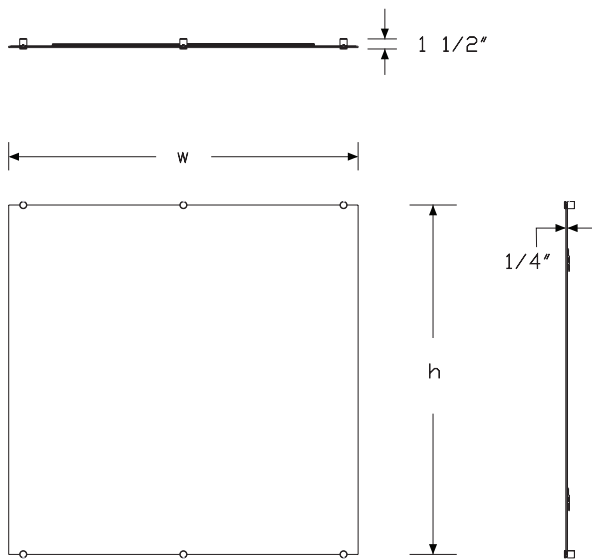


## Product Information

**Description**  
This glass white board is designed to mount to an architectural wall. It provides writable surface that can be magnetic or nonmagnetic.

**Notes**  
Attachment hardware not included. Hardware depends on type of wall intended for attachment.  
For optimal magnetic performance, use rare earth magnets with glass markerboard.

## Dimensions



Thrive™ Screens

## Specification Information

### Step 1.

**Y7232.**

### Step 2. Corner Profile

**S** square corner

### Step 3. Height

- 24** 24" high
- 36** 36" high
- 48** 48" high

### Step 4. Width

#### For 24" high (24)

- 36** 36" wide

#### For 36" high (36)

- 48** 48" wide

#### For 48" high (48)

- 48** 48" wide
- 60** 60" wide
- 72** 72" wide
- 96** 96" wide

### Step 5. Type

- M** magnetic
- N** non-magnetic

### Prices for Steps 1-5.

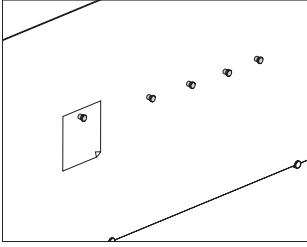
		36M	36N	48M	48N	60M	60N
<b>Y7232. S</b>	<b>24</b>	\$1074	1001	—	—	—	—
	<b>36</b>	—	—	\$2213	2060	—	—
	<b>48</b>	—	—	\$3180	2956	4008	3728
				<b>72M</b>	<b>72N</b>	<b>96M</b>	<b>96N</b>
<b>Y7232. S</b>	<b>48</b>			\$4838	4499	6425	5978

### Step 6. Attachment Method

- 1** edge grip clip +\$0
- 2** rear hanger bracket +\$0

# Rare Earth Magnets

Y7234.



### Product Information

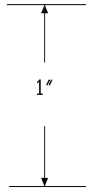
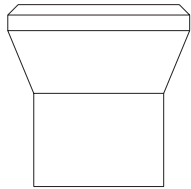
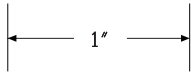
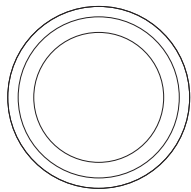
#### Description

These magnets are intended to be used with the glass white board and are available in several colors. Package includes 5 magnets of the specified color.

#### Notes

Order glass white board (Y7232.) separately.

#### Dimensions



### Specification Information

#### Step 1.

**Y7234.**  A \$191

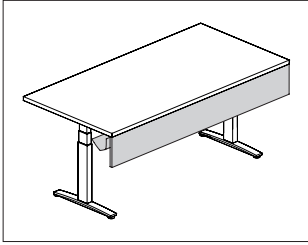
#### Step 2. Finish

**OH** black  A +\$0  
**OJ** white  A +\$0  
**OL** red  A +\$0

Thrive™ Screens

# Modesty Panel

Y1113.



Thrive™ Screens

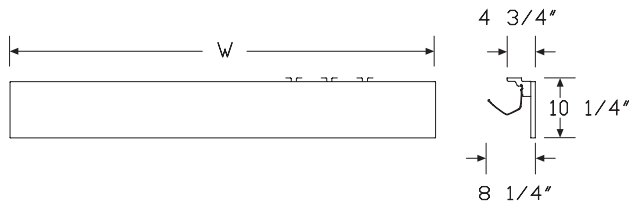
### Product Information

**Description**  
 This modesty panel attaches to a table, desk, peninsula, or work surface. It has a solid MDF core with a laminate or veneer surface, aluminum top rail and attachment brackets. Cable trough is optional. Attachment hardware included.

### Notes

Specify modesty panel to be equal to surface width, or 6" less than surface width of a height adjustable table.  
 Modesty panel dimension is approximately 10" high with width specified in step 1. Actual width 1/4" less than specified value.  
 Modesty panel is field installed.  
 Brackets are located to work with Connect™ 2-circuit power system.  
 Modesty panel (Y1113.) may impede ideal folding functionality of flip top table (DT5Ax.). For use with flip top table, modesty panel (Y1114.) is recommended. It comes only with a fabric surface.

### Dimensions



### Specification Information

#### Step 1.

**Y1113.**

#### Step 2. Width

<b>24</b>	24" wide
<b>30</b>	30" wide
<b>36</b>	36" wide
<b>42</b>	42" wide
<b>48</b>	48" wide
<b>54</b>	54" wide
<b>60</b>	60" wide
<b>66</b>	66" wide
<b>72</b>	72" wide

#### Step 3. Cable Trough

<b>N</b>	without added cable trough
<b>Y</b>	with added cable trough

#### Step 4. Surface Material

<b>L</b>	thermally-fused laminate top/thermoplastic edge
<b>W</b>	veneer top/veneer edge

#### Prices for Steps 1-4.

		<b>L</b>	<b>W</b>
<b>Y1113. 24</b>	<b>N</b>	\$267	472
	<b>Y</b>	\$474	699
<b>30</b>	<b>N</b>	\$291	529
	<b>Y</b>	\$537	800
<b>36</b>	<b>N</b>	\$317	587
	<b>Y</b>	\$583	880
<b>42</b>	<b>N</b>	\$343	645
	<b>Y</b>	\$641	972
<b>48</b>	<b>N</b>	\$368	705
	<b>Y</b>	\$700	1068
<b>54</b>	<b>N</b>	\$396	764
	<b>Y</b>	\$761	1160
<b>60</b>	<b>N</b>	\$421	820
	<b>Y</b>	\$820	1252
<b>66</b>	<b>N</b>	\$421	877
	<b>Y</b>	\$879	1345
<b>72</b>	<b>N</b>	\$455	935
	<b>Y</b>	\$936	1437



# Modesty Panel *continued*

## Step 5. Finish

### *For thermally-fused laminate top/thermoplastic edge (L)*

<b>76</b>	light brown walnut	+\$0
<b>8Q</b>	folkstone grey	+\$0
<b>91</b>	white	+\$0
<b>98</b>	studio white	+\$0
<b>CL</b>	cool grey neutral	+\$0
<b>G1</b>	graphite	+\$0
<b>HM</b>	natural maple	+\$0
<b>HP</b>	light anigre	+\$0
<b>HX</b>	aged cherry	+\$0
<b>LBA</b>	clear on ash	+\$0
<b>LBB</b>	oak on ash	+\$0
<b>LBC</b>	walnut on ash	+\$0
<b>LBF</b>	neutral twill	+\$0
<b>LBJ</b>	graphite twill	+\$0
<b>LBQ</b>	white twill	+\$0
<b>LBR</b>	phantom ecru	+\$0
<b>LBS</b>	phantom cocoa	+\$0
<b>LBU</b>	medium matte walnut	+\$0
<b>LBV</b>	warm grey teak	+\$0
<b>LU</b>	soft white	+\$0
<b>WL</b>	sandstone	+\$0
<b>WN</b>	warm grey neutral	+\$0

### *For veneer top/veneer edge (W)*

<b>2U</b>	light brown walnut	+\$0
<b>40</b>	dark brown walnut	+\$0
<b>UL</b>	natural maple	+\$0

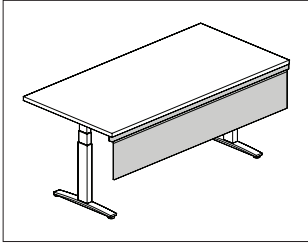
## Step 6. Edge Finish

### *For thermally-fused laminate top/thermoplastic edge (L)*

<b>76</b>	light brown walnut	+\$0
<b>8Q</b>	folkstone grey	+\$0
<b>91</b>	white	+\$0
<b>98</b>	studio white	+\$0
<b>BU</b>	black umber	+\$0
<b>CL</b>	cool grey neutral	+\$0
<b>G2</b>	graphite satin	+\$0
<b>HF</b>	inner tone light	+\$0
<b>HM</b>	natural maple	+\$0
<b>HP</b>	light anigre	+\$0
<b>HX</b>	aged cherry	+\$0
<b>LBA</b>	clear on ash	+\$0
<b>LBB</b>	oak on ash	+\$0
<b>LBC</b>	walnut on ash	+\$0
<b>LBF</b>	neutral twill	+\$0
<b>LBJ</b>	graphite twill	+\$0
<b>LBQ</b>	white twill	+\$0
<b>LBR</b>	phantom ecru	+\$0
<b>LBS</b>	phantom cocoa	+\$0
<b>LBU</b>	medium matte walnut	+\$0
<b>LBV</b>	warm grey teak	+\$0
<b>LU</b>	soft white	+\$0
<b>WL</b>	sandstone	+\$0
<b>WN</b>	warm grey neutral	+\$0

# Fabric Modesty Panel

Y1114.



## Product Information

### Description

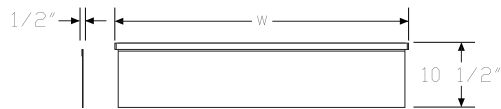
This modesty panel attaches to a table, desk, peninsula, or work surface. It has a fabric surface with aluminum top rail and attachment brackets. Attachment hardware included.

### Notes

Specify modesty panel to be equal to surface width, or 6" less than surface width of a height adjustable table.

For use with flip top table (DT5Ax.), modesty panel (Y1114.) is recommended to enable optimal folding functionality of the table.

### Dimensions



Thrive™ Screens

## Specification Information

### Step 1.

**Y1114.**  A

### Step 2. Width

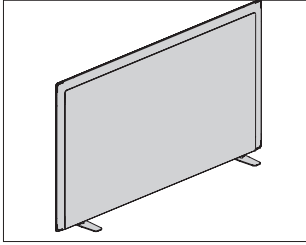
- 24** 24" wide  A
- 30** 30" wide  A
- 36** 36" wide  A
- 42** 42" wide  A
- 48** 48" wide  A
- 54** 54" wide  A
- 60** 60" wide  A
- 66** 66" wide  A
- 72** 72" wide  A

### Prices for Steps 1-2.

<b>Y1114. 24</b>	\$243
<b>30</b>	\$266
<b>36</b>	\$288
<b>42</b>	\$304
<b>48</b>	\$324
<b>54</b>	\$364
<b>60</b>	\$383
<b>66</b>	\$404
<b>72</b>	\$420

### Step 3. Fabric

Price Category 4 + \$28



**Product Information**

**Description**

This movable, tackable screen sits on top of work surfaces to extend the overall height and provide boundary and privacy on tables, benches and systems products. It has a frameless all-fabric design and is freestanding. Base finish available in folkstone grey or black.

**Notes**

Datum heights reflect placement on 29"-high fixed-height work surface and align with Canvas datum lines. Screen can be used on fixed, level work surface.

Specify width of screen to match width of work surface.

Screen heights are nominal. Actual screen heights are: 12<sup>1</sup>/<sub>2</sub>" (14), 16<sup>1</sup>/<sub>2</sub>" (18), and 23<sup>1</sup>/<sub>2</sub>" (25).

Screen accepts Customer's Own Material (COM). Yardage is estimated for directional, 54" wide fabrics.

For vertical fabric direction (T, E):

Height—Yardage

14—1.17

18—1.42

25—1.83

For horizontal fabric direction (R, D):

Width—Yardage

42—1.51

48—1.70

54—1.89

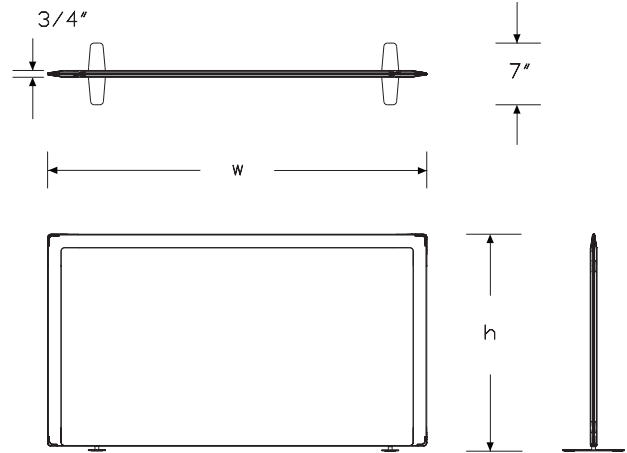
60—2.08

66—2.27

72—2.46

For information on multiple quantities or directional fabrics, contact COM Department. See Order Information in appendices.

**Dimensions**



Thrive™ Screens

**Specification Information**

Step 1.

**Y1141.**

Step 2. Height

<b>14</b>	14" high (to reach 42" datum)
<b>18</b>	18" high (to reach 46" datum)
<b>25</b>	25" high (to reach 53" datum)

Step 3. Width

<b>42</b>	42" wide
<b>48</b>	48" wide
<b>54</b>	54" wide
<b>60</b>	60" wide
<b>66</b>	66" wide
<b>72</b>	72" wide

Step 4. Surface Material

*For 42" wide (42) or 48" wide (48)*

<b>D</b>	tackable fabric, horizontal with MicrobeCare™
<b>E</b>	tackable fabric with MicrobeCare™
<b>R</b>	tackable fabric, horizontal
<b>T</b>	tackable fabric

*For 54" wide (54), 60" wide (60), 66" wide (66), or 72" wide (72)*

<b>D</b>	tackable fabric, horizontal with MicrobeCare™
<b>R</b>	tackable fabric, horizontal

Prices for Steps 1-4.

	<b>D</b>	<b>E</b>	<b>R</b>	<b>T</b>
<b>Y1141. 14 42</b>	\$775	775	710	710
<b>48</b>	\$800	800	734	734
<b>54</b>	\$823	—	759	—
<b>60</b>	\$848	—	784	—
<b>66</b>	\$887	—	821	—
<b>72</b>	\$936	—	871	—
<b>18 42</b>	\$936	936	871	871
<b>48</b>	\$960	960	896	896
<b>54</b>	\$985	—	921	—
<b>60</b>	\$1011	—	946	—
<b>66</b>	\$1047	—	982	—
<b>72</b>	\$1096	—	1030	—

<b>25 42</b>	\$1064	1064	1000	1000
<b>48</b>	\$1088	1088	1024	1024
<b>54</b>	\$1114	—	1049	—
<b>60</b>	\$1139	—	1074	—
<b>66</b>	\$1175	—	1110	—
<b>72</b>	\$1224	—	1160	—

Step 5. Base Finish

<b>8Q</b>	folkstone grey			+\$0
<b>BK</b>	black			+\$0

Step 6. Fabric

*For 14" high (to reach 42" datum) (14) with 42" wide (42)*

Price Category B	+\$149
Price Category 1	+\$0
Price Category 2	+\$36
Price Category 3	+\$86
Price Category 4	+\$155
Price Category 5	+\$263
Price Category C	+\$203
Price Category E	+\$305

*For 14" high (to reach 42" datum) (14) with 48" wide (48)*

Price Category B	+\$169
Price Category 1	+\$0
Price Category 2	+\$41
Price Category 3	+\$98
Price Category 4	+\$174
Price Category 5	+\$296
Price Category C	+\$228
Price Category E	+\$344

*For 18" high (to reach 46" datum) (18) or 25" high (to reach 53" datum) (25) with 42" wide (42)*

Price Category B	+\$149
Price Category 1	+\$0
Price Category 2	+\$36
Price Category 3	+\$86
Price Category 4	+\$155
Price Category 5	+\$263
Price Category C	+\$203
Price Category E	+\$305

OE1 Movable Screen, Pari *continued*

*For 18" high (to reach 46" datum) (18) or 25" high (to reach 53" datum) (25) with 48" wide (48)*

Price Category B	+\$169
Price Category 1	+\$0
Price Category 2	+\$41
Price Category 3	+\$98
Price Category 4	+\$174
Price Category 5	+\$296
Price Category C	+\$228
Price Category E	+\$344

*For 14" high (to reach 42" datum) (14) with 54" wide (54)*

Price Category B	+\$197
Price Category 1	+\$0
Price Category 2	+\$48
Price Category 3	+\$115
Price Category 4	+\$204
Price Category 5	+\$347
Price Category C	+\$266
Price Category E	+\$403

*For 14" high (to reach 42" datum) (14) with 60" wide (60)*

Price Category B	+\$217
Price Category 1	+\$0
Price Category 2	+\$52
Price Category 3	+\$126
Price Category 4	+\$224
Price Category 5	+\$382
Price Category C	+\$294
Price Category E	+\$444

*For 14" high (to reach 42" datum) (14) with 66" wide (66)*

Price Category B	+\$236
Price Category 1	+\$0
Price Category 2	+\$56
Price Category 3	+\$138
Price Category 4	+\$245
Price Category 5	+\$418
Price Category C	+\$320
Price Category E	+\$484

*For 14" high (to reach 42" datum) (14) with 72" wide (72)*

Price Category B	+\$256
Price Category 1	+\$0
Price Category 2	+\$61
Price Category 3	+\$149
Price Category 4	+\$265
Price Category 5	+\$451
Price Category C	+\$347
Price Category E	+\$523

*For 18" high (to reach 46" datum) (18) or 25" high (to reach 53" datum) (25) with 54" wide (54)*

Price Category B	+\$197
Price Category 1	+\$0
Price Category 2	+\$48
Price Category 3	+\$115
Price Category 4	+\$204
Price Category 5	+\$347
Price Category C	+\$266
Price Category E	+\$403

*For 18" high (to reach 46" datum) (18) or 25" high (to reach 53" datum) (25) with 60" wide (60)*

Price Category B	+\$217
Price Category 1	+\$0
Price Category 2	+\$52
Price Category 3	+\$126
Price Category 4	+\$224
Price Category 5	+\$382
Price Category C	+\$294
Price Category E	+\$444

*For 18" high (to reach 46" datum) (18) or 25" high (to reach 53" datum) (25) with 66" wide (66)*

Price Category B	+\$236
Price Category 1	+\$0
Price Category 2	+\$56
Price Category 3	+\$138
Price Category 4	+\$245
Price Category 5	+\$418
Price Category C	+\$320
Price Category E	+\$484

Thrive™ Screens

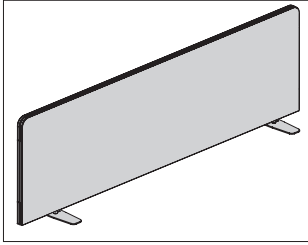
OE1 Movable Screen, Pari *continued*

For 18" high (to reach 46" datum) (18) or 25" high (to reach 53" datum) (25) with 72" wide (72)

Thrive™ Screens

Price Category B	+\$256
Price Category 1	+\$0
Price Category 2	+\$61
Price Category 3	+\$149
Price Category 4	+\$265
Price Category 5	+\$451
Price Category C	+\$347
Price Category E	+\$523

OE1 Movable Screen, Flat Edge Y1142.



**Product Information**

**Description**

This movable, tackable screen sits on top of work surfaces to extend the overall height and provide boundary and privacy on tables, benches and systems products. It has a frameless all-fabric design with a flat edge and is freestanding. Base finish available in folkstone grey or black.

**Notes**

Datum heights reflect placement on 29"-high fixed-height work surface and align with Canvas datum lines. Screen can be used on fixed, level work surface.

Specify width of screen to match width of work surface.

Screen heights are nominal. Actual screen heights are: 12<sup>1</sup>/<sub>2</sub>" (14), 16<sup>1</sup>/<sub>2</sub>" (18), and 23<sup>1</sup>/<sub>2</sub>" (25).

Screen accepts Customer's Own Material (COM). Yardage is estimated for directional, 54" wide fabrics.

For vertical fabric direction (T, E):

Height—Yardage

14—1.17

18—1.42

25—1.83

For horizontal fabric direction (R, D):

Width—Yardage

42—1.51

48—1.70

54—1.89

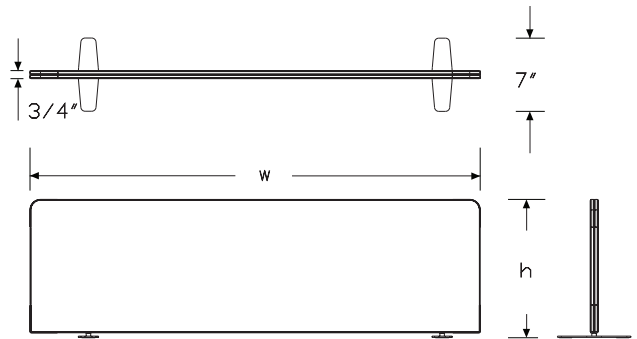
60—2.08

66—2.27

72—2.46

For information on multiple quantities or directional fabrics, contact COM Department. See Order Information in appendices.

**Dimensions**



Thrive™ Screens

# OE1 Movable Screen, Flat Edge

continued

Thrive™ Screens

## Specification Information

Step 1.

**Y1142.**

### Step 2. Height

<b>14</b>	14" high (to reach 42" datum)
<b>18</b>	18" high (to reach 46" datum)
<b>25</b>	25" high (to reach 53" datum)

### Step 3. Width

<b>42</b>	42" wide
<b>48</b>	48" wide
<b>54</b>	54" wide
<b>60</b>	60" wide
<b>66</b>	66" wide
<b>72</b>	72" wide

### Step 4. Surface Material

*For 42" wide (42) or 48" wide (48)*

<b>D</b>	tackable fabric, horizontal with MicrobeCare™
<b>E</b>	tackable fabric with MicrobeCare™
<b>R</b>	tackable fabric, horizontal
<b>T</b>	tackable fabric

*For 54" wide (54), 60" wide (60), 66" wide (66), or 72" wide (72)*

<b>D</b>	tackable fabric, horizontal with MicrobeCare™
<b>R</b>	tackable fabric, horizontal

### Prices for Steps 1-4.

	<b>D</b>	<b>E</b>	<b>R</b>	<b>T</b>
<b>Y1142. 14 42</b>	\$610	610	546	546
<b>48</b>	\$635	635	571	571
<b>54</b>	\$661	—	596	—
<b>60</b>	\$685	—	620	—
<b>66</b>	\$723	—	658	—
<b>72</b>	\$773	—	707	—
<b>18 42</b>	\$734	734	669	669
<b>48</b>	\$759	759	695	695
<b>54</b>	\$784	—	719	—
<b>60</b>	\$809	—	744	—
<b>66</b>	\$846	—	781	—
<b>72</b>	\$896	—	832	—

<b>25 42</b>	\$834	834	769	769
<b>48</b>	\$858	858	793	793
<b>54</b>	\$882	—	818	—
<b>60</b>	\$907	—	843	—
<b>66</b>	\$946	—	880	—
<b>72</b>	\$994	—	930	—

### Step 5. Base Finish

<b>8Q</b>	folkstone grey	+\$0
<b>BK</b>	black	+\$0

### Step 6. Fabric

*For 14" high (to reach 42" datum) (14) with 42" wide (42)*

Price Category 1	+\$0
Price Category 2	+\$36
Price Category 3	+\$86
Price Category 4	+\$155
Price Category 5	+\$263
Price Category B	+\$149
Price Category C	+\$203
Price Category E	+\$305

*For 14" high (to reach 42" datum) (14) with 48" wide (48)*

Price Category 1	+\$0
Price Category 2	+\$41
Price Category 3	+\$98
Price Category 4	+\$174
Price Category 5	+\$296
Price Category B	+\$169
Price Category C	+\$228
Price Category E	+\$344

*For 18" high (to reach 46" datum) (18) or 25" high (to reach 53" datum) (25) with 42" wide (42)*

Price Category 1	+\$0
Price Category 2	+\$36
Price Category 3	+\$86
Price Category 4	+\$155
Price Category 5	+\$263
Price Category B	+\$149
Price Category C	+\$203
Price Category E	+\$305



# OE1 Movable Screen, Flat Edge

continued

<i>For 18" high (to reach 46" datum) (18) or 25" high (to reach 53" datum) (25) with 48" wide (48)</i>	
Price Category 1	+\$0
Price Category 2	+\$41
Price Category 3	+\$98
Price Category 4	+\$174
Price Category 5	+\$296
Price Category B	+\$169
Price Category C	+\$228
Price Category E	+\$344

<i>For 14" high (to reach 42" datum) (14) with 54" wide (54)</i>	
Price Category 1	+\$0
Price Category 2	+\$48
Price Category 3	+\$115
Price Category 4	+\$204
Price Category 5	+\$347
Price Category B	+\$197
Price Category C	+\$266
Price Category E	+\$403

<i>For 14" high (to reach 42" datum) (14) with 60" wide (60)</i>	
Price Category 1	+\$0
Price Category 2	+\$52
Price Category 3	+\$126
Price Category 4	+\$224
Price Category 5	+\$382
Price Category B	+\$217
Price Category C	+\$294
Price Category E	+\$444

<i>For 14" high (to reach 42" datum) (14) with 66" wide (66)</i>	
Price Category 1	+\$0
Price Category 2	+\$56
Price Category 3	+\$138
Price Category 4	+\$245
Price Category 5	+\$418
Price Category B	+\$236
Price Category C	+\$320
Price Category E	+\$484

<i>For 14" high (to reach 42" datum) (14) with 72" wide (72)</i>	
Price Category 1	+\$0
Price Category 2	+\$61
Price Category 3	+\$149
Price Category 4	+\$265
Price Category 5	+\$451
Price Category B	+\$256
Price Category C	+\$347
Price Category E	+\$523

<i>For 18" high (to reach 46" datum) (18) or 25" high (to reach 53" datum) (25) with 54" wide (54)</i>	
Price Category 1	+\$0
Price Category 2	+\$48
Price Category 3	+\$115
Price Category 4	+\$204
Price Category 5	+\$347
Price Category B	+\$197
Price Category C	+\$266
Price Category E	+\$403

<i>For 18" high (to reach 46" datum) (18) or 25" high (to reach 53" datum) (25) with 60" wide (60)</i>	
Price Category 1	+\$0
Price Category 2	+\$52
Price Category 3	+\$126
Price Category 4	+\$224
Price Category 5	+\$382
Price Category B	+\$217
Price Category C	+\$294
Price Category E	+\$444

<i>For 18" high (to reach 46" datum) (18) or 25" high (to reach 53" datum) (25) with 66" wide (66)</i>	
Price Category 1	+\$0
Price Category 2	+\$56
Price Category 3	+\$138
Price Category 4	+\$245
Price Category 5	+\$418
Price Category B	+\$236
Price Category C	+\$320
Price Category E	+\$484

Thrive™ Screens

# OE1 Movable Screen, Flat Edge

continued

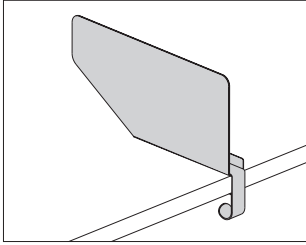
For 18" high (to reach 46" datum) (18) or 25" high (to reach 53" datum) (25) with 72" wide (72)

Price Category 1	+\$0
Price Category 2	+\$61
Price Category 3	+\$149
Price Category 4	+\$265
Price Category 5	+\$451
Price Category B	+\$256
Price Category C	+\$347
Price Category E	+\$523

Thrive™ Screens

# OE1 Metal Boundary Screen

Y1143.



### Product Information

#### Description

This metal screen attaches to the front of a work surface to provide division and boundary between workers. Steel construction allows for attachment of magnets and Ubi name tag. Screen available with liner in choice of colors. Attachment thumb screw included.

#### Notes

Screen attaches to square edge surfaces with minimum 1" up to 1 1/2" nominal thickness.

Screen height is nominal. Actual screen height is 8.7".

Liner is available on flange side (righthand side when attached to work surface) only.

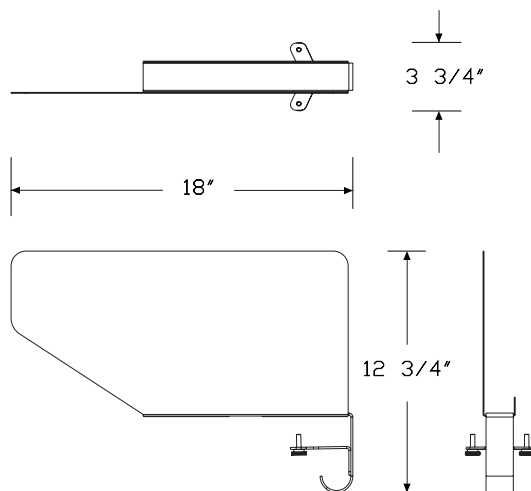
Screen provides boundary on rectangular surface work tables where the legs are positioned under the worksurface by 3 1/2".

Order the following accessories separately:

- Ubi name tag (YT410.)
- Rare earth magnets (Y7234.)

Screen is recommended for use on the OE1 communal tables (single and double sided), OE1 rectangular tables, Renew™ Link single-sided and back-to-back rectangular height-adjustable benches (DU1A, DU2A), and on any other benching or table surface with appropriate thickness requirement and that use rectangular work surfaces. It is not recommended for use on Renew Link back-to-back trapezoid height-adjustable bench (DU2T).

#### Dimensions



### Specification Information

#### Step 1.

**Y1143.**

#### Step 2. Height

**9** 9" high

#### Step 3. Depth

**18** 18" deep

#### Prices for Steps 1-3.

<b>Y1143. 9</b>	<b>18</b>
	\$199

#### Step 4. Liner

<b>N</b>	no liner	+\$0
<b>L</b>	liner (flange side only)	+\$70

#### Step 5. Liner Fabric

*For liner (flange side only) (L)*

Price Category 4	+\$0
------------------	------

#### Step 6. Finish

##### Metallic Paint

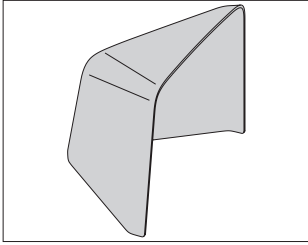
<b>CN</b>	metallic champagne	+\$0
<b>MS</b>	metallic silver	+\$0
<b>SNA</b>	satin aluminum	+\$10
<b>SNB</b>	satin bronze	+\$10
<b>SNC</b>	satin carbon	+\$10

##### Sand Texture Paint

<b>8Q</b>	folkstone grey	+\$0
<b>91</b>	white	+\$0
<b>98</b>	studio white	+\$0
<b>BK</b>	black	+\$0
<b>G1</b>	graphite	+\$0
<b>WL</b>	sandstone	+\$0
<b>DB3</b>	glacier	+\$8
<b>DN2</b>	nightfall	+\$8
<b>DR1</b>	canyon	+\$8
<b>OLF</b>	olive	+\$8

OE1 Personal Hoodie, Single Pack

Y1148.

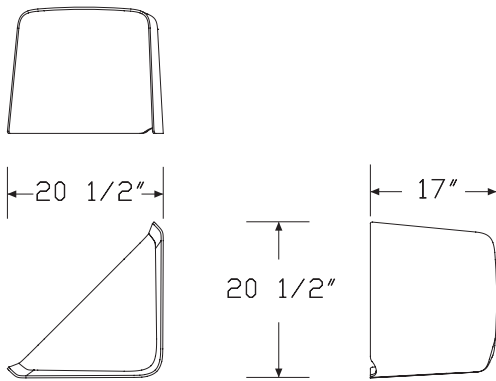


**Product Information**

**Description**  
 This screen is a molded PET personal boundary. Package quantity is 1.

**Notes**  
 See planning guide for additional information.

**Dimensions**



**Specification Information**

**Step 1.**  
**Y1148.1**

**Step 2. Height**  
**17** 17" high

**Step 3. Width**  
**27** 27" wide

**Prices for Steps 1-3.**

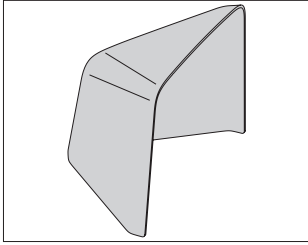
	<b>27</b>
<b>Y1148.1 17</b>	<b>\$454</b>

**Step 4. Finish**

<b>PHA</b> heathered alpine	+\$0
<b>PHT</b> heathered twilight	+\$0

Thrive™ Screens

OE1 Personal Hoodie, Six Pack Y1148.



**Product Information**

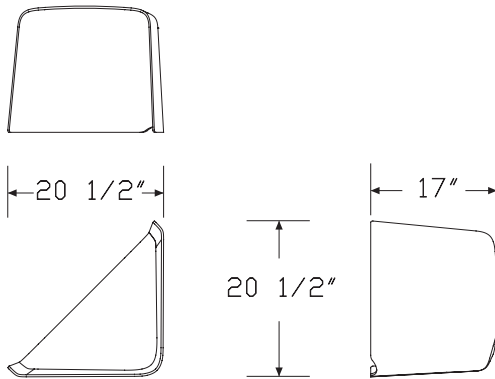
**Description**

This screen is a molded PET personal boundary. Package quantity is 6.

**Notes**

See planning guide for additional information.

**Dimensions**



**Specification Information**

**Step 1.**

**Y1148.6**

**Step 2. Height**

**17** 17" high

**Step 3. Width**

**27** 27" wide

**Prices for Steps 1-3.**

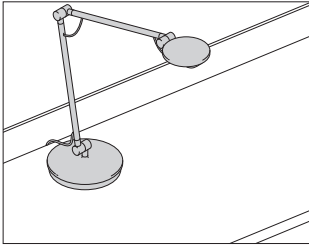
	<b>27</b>
<b>Y1148.6 17</b>	\$2120

**Step 4. Finish**

<b>PHA</b> heathered alpine	+\$0
<b>PHT</b> heathered twilight	+\$0

# Tone™ Personal Light

Y6480.



## Product Information

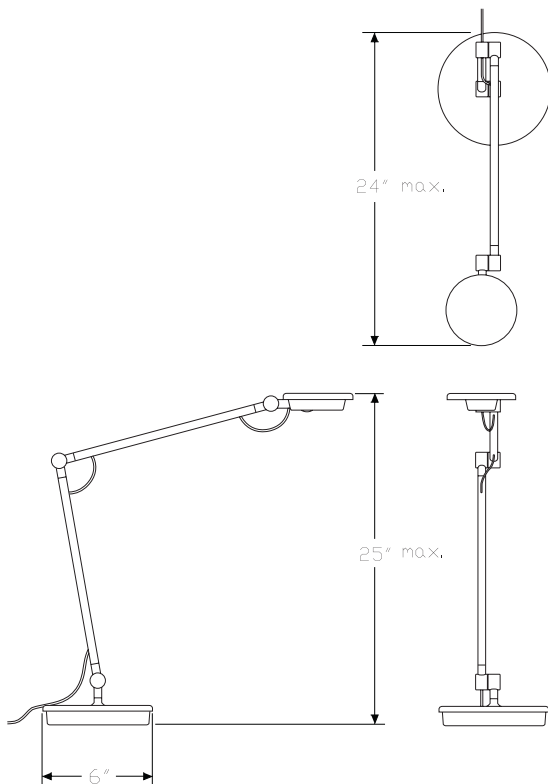
### Description

This articulating LED task light sits freestanding, clamps to a surface, mounts on a Layout Studio® performance rail, or mounts on a rail tile. This light swivels 360° at the base while articulating joints at the base, head, and midsection give precise control over the lighted area. The energy-efficient light-emitting diode (LED) has a 3500 Kelvin color temperature that consumes slightly more than 6 watts of power at full output. The light can be dimmed dynamically by the user down to 15% of full power, includes an integrated touch switch, and has a 12' cord. UL listed power supply is included.

### Notes

Light has energy saving auto shutoff feature after 9 hours of use.  
When specifying rail tile option (TR), it is suggested to mount close to the surface.

### Dimensions



## Specification Information

### Step 1.

**Y6480.**

### Step 2. Attachment Bracket

<b>CM</b>	surface clamp
<b>FR</b>	freestanding
<b>LSR</b>	Layout Studio performance rail <span style="border: 1px solid black; padding: 0 2px;">A</span>
<b>TR</b>	rail tile

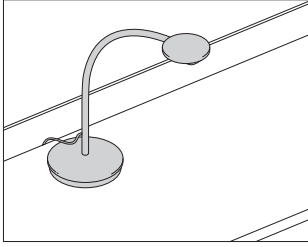
### Prices for Steps 1-2.

<b>Y6480. CM</b>	\$597
<b>FR</b>	\$597
<b>LSR</b>	\$585
<b>TR</b>	\$597

### Step 3. Finish

<b>91</b>	white	+\$0
<b>G2</b>	graphite satin	+\$0
<b>MS</b>	metallic silver	+\$0

# Tone™ Single-Arm Personal Light Y6481.



## Product Information

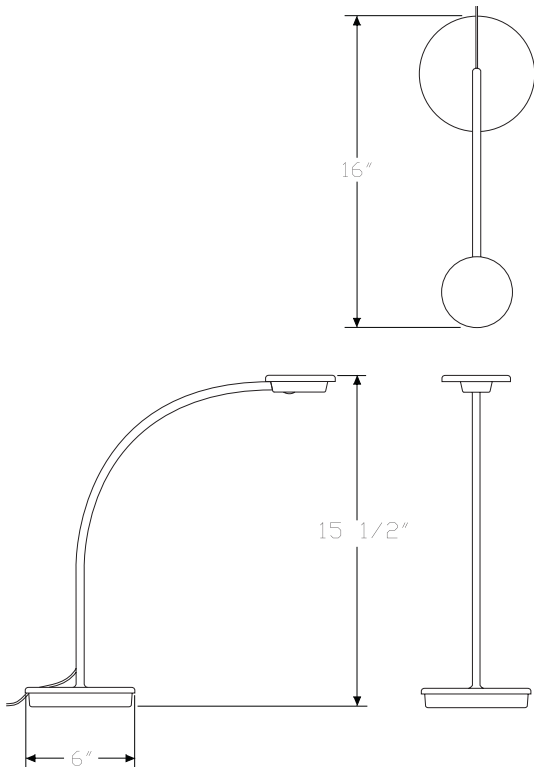
### Description

This single-arm LED task light sits freestanding, clamps to a surface, or mounts on a rail tile. This light swivels 360° at the base while keeping it at a constant height from the surface. The energy-efficient light-emitting diode (LED) has a 3500 Kelvin color temperature that consumes slightly more than 6 watts of power at full output. The light can be dimmed dynamically by the user down to 15% of full power, includes an integrated touch switch, and has a 12' cord. UL listed power supply is included.

### Notes

Light has energy saving auto shutoff feature after 9 hours of use.  
When specifying rail tile option (TR), it is suggested to mount close to the surface.

### Dimensions



## Specification Information

### Step 1.

**Y6481.**

### Step 2. Attachment Bracket

- CM** surface clamp
- FR** freestanding
- TR** rail tile

### Prices for Steps 1-2.

<b>Y6481. CM</b>	\$520
<b>FR</b>	\$520
<b>TR</b>	\$520

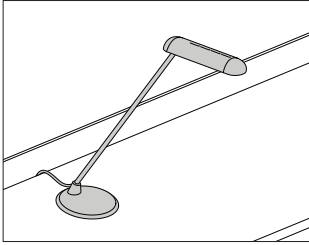
### Step 3. Finish

<b>91</b> white	+\$0
<b>G2</b> graphite satin	+\$0
<b>MS</b> metallic silver	+\$0

Thrive™ Personal Lighting

# Flute™ Personal Light

Y6470.



## Product Information

### Description

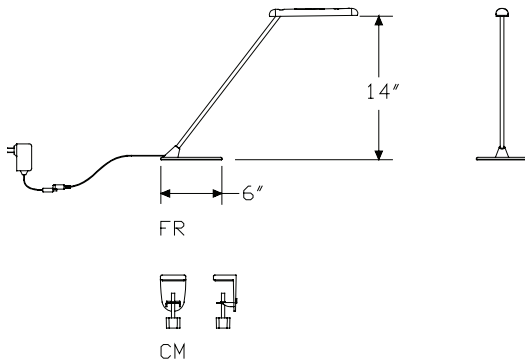
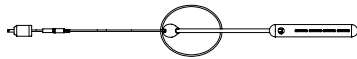
This light sits freestanding or clamps to a surface. It has 1 energy-efficient light-emitting diode (LED) with a 3500 Kelvin color temperature that consumes 4.7 watts of power. The light has an 11' cord. UL listed and UL Canada listed.

Light head swivels 230°. Clamp mount option (CM) swivels 360° at the base.

### Notes

Light meets local codes including Canada, New York City, and Chicago.

### Dimensions



## Specification Information

### Step 1.

**Y6470.**

### Step 2. Attachment Bracket

**CM** surface clamp

**FR** freestanding

### Prices for Steps 1-2.

<b>Y6470. CM</b>	\$471
<b>FR</b>	\$471

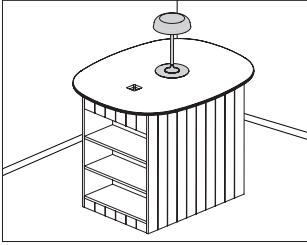
### Step 3. Finish

<b>91</b> white	+\$0
<b>G2</b> graphite satin	+\$0
<b>MS</b> metallic silver	+\$0



# Ode Desk Lamp

Y6485.

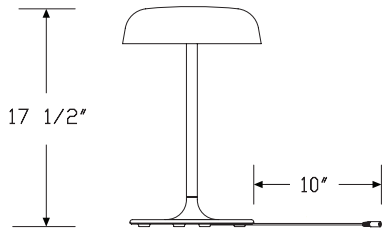
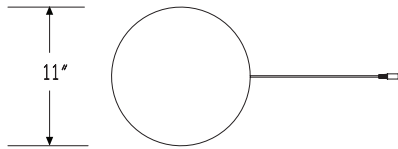


### Product Information

#### Description

This LED occasional lamp sits freestanding at desk or table height. It turns on to full power by touching the base or stem. Touch once more to dim to 50%. Touch again to turn the lamp off. The energy-efficient light emitting diode (LED) has a 2700° Kelvin color temperature and CRI of 80+. Lamp is ETL listed to the UL standard.

#### Dimensions



### Specification Information

#### Step 1.

**Y6485.**  A

#### Step 2. Base

**FG** freestanding  A

#### Prices for Steps 1-2.

**Y6485. FG** \$801

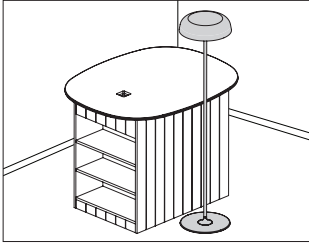
#### Step 3. Finish

**91** white  A +\$0

**BK** black  A +\$0

# Ode Freestanding Floor Lamp

Y6486.

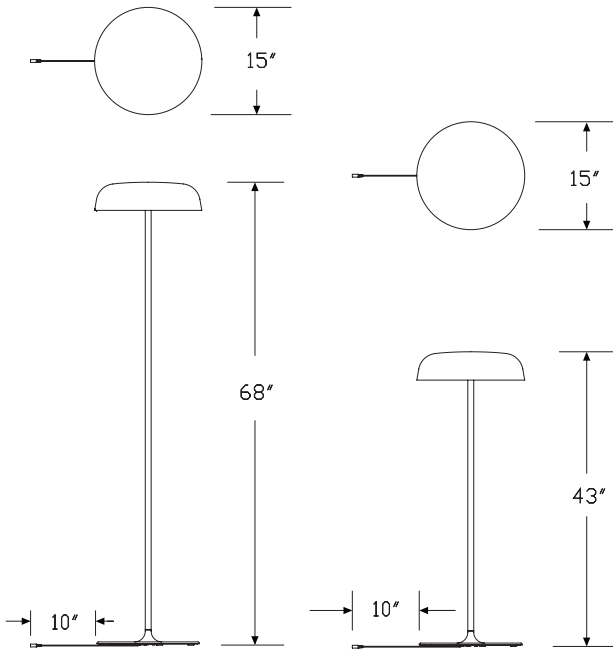


## Product Information

### Description

This LED occasional lamp sits freestanding at sofa or standing height. It turns on to full power by touching the base or stem. Touch once more to dim to 50%. Touch again to turn the lamp off. The energy-efficient light emitting diode (LED) has a 2700° Kelvin color temperature and CRI of 80+. Lamp is ETL listed to the UL standard.

### Dimensions



Thrive™ Occasional Lighting

## Specification Information

### Step 1.

**Y6486.**  A

### Step 2. Height

**FF** floor full standing  A

**FS** floor sofa standing  A

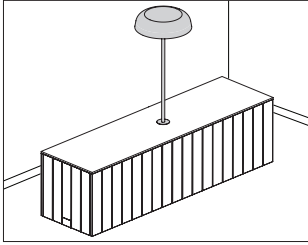
### Prices for Steps 1-2.

<b>Y6486. FF</b>	\$1362
<b>FS</b>	\$1317

### Step 3. Finish

<b>91</b> white <input type="checkbox"/> A	+\$0
<b>BK</b> black <input type="checkbox"/> A	+\$0

Ode Surface-Integrated Lamp Y6487.

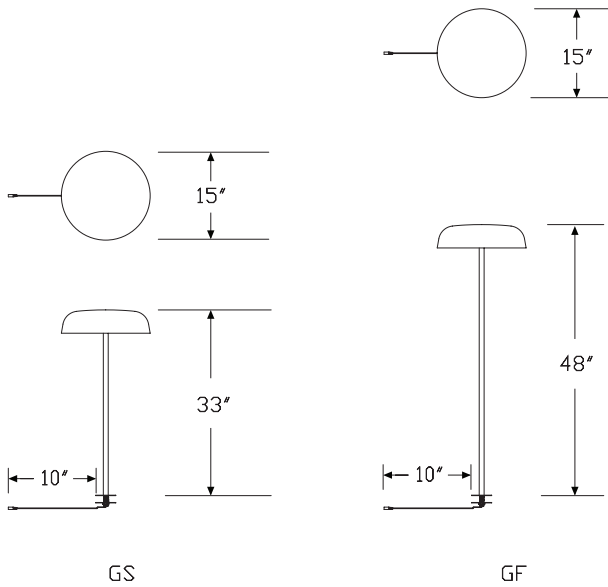


**Product Information**

**Description**

This LED occasional lamp is integrated into a surface and is available in sofa or standing height. It turns on to full power by touching the base or stem. Touch once more to dim to 50%. Touch again to turn the lamp off. The energy-efficient light emitting diode (LED) has a 2700° Kelvin color temperature and CRI of 80+. Lamp is ETL listed to the UL standard.

**Dimensions**



**Specification Information**

**Step 1.**

**Y6487.**  A

**Step 2. Height**

**GF** surface-integrated full standing 48"  A

**GS** surface-integrated sofa standing 33"  A

**Prices for Steps 1-2.**

<b>Y6487. GF</b>	\$1102
<b>GS</b>	\$1059

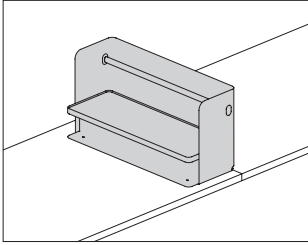
**Step 3. Finish**

<b>91</b> white <input type="checkbox"/> A	+\$0
<b>BK</b> black <input type="checkbox"/> A	+\$0

Thrive™ Occasional Lighting

# Small Organizer

YT100.



## Product Information

### Description

This small organizer rests on the surface. It has a painted metal shelf and rod for attaching and holding accessory products and other items. The steel frame allows magnetic attachment of the document clip and name tag. The container accessories fit on the organizer above or below the shelf. The USB power module attaches to the underside of the shelf. The rod bookend attaches to the rod. Rod finish matches organizer finish.

### Notes

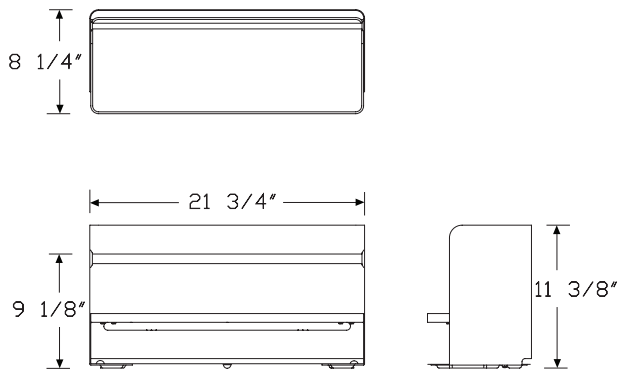
Order the following accessories separately:

- Magnetic document clip (YT400.)
- Name tag (YT410.)
- USB power module (YT420.)
- Rod bookend (YT440.)
- Organizer liner (YT500.)
- Short bin (YT800.)
- Square pencil cup (YT820.)
- Round pencil cup (YT825.)
- Tray (YT830.)
- Box (YT840.)

Order surface clamp for organizers (YT460.) separately.

Small organizer is recommended for use on Renew™ Link single-sided and back-to-back rectangular height-adjustable benches (DU1A, DU2A). It is not recommended for use on Renew Link back-to-back trapezoid height-adjustable bench (DU2T).

### Dimensions



## Specification Information

### Step 1.

**YT100.**  A

### Step 2. Height

**11** 11" high  A

### Step 3. Width

**08** 8" wide  A

### Step 4. Depth

**22** 22" deep  A

### Step 5. Shelf Material

**M** painted metal  A

**L** insert liner  A

### Prices for Steps 1-5.

	<b>22M</b>	<b>22L</b>
<b>YT100. 11 08</b>	\$576	693

### Step 6. Organizer Finish

<b>SNB</b> satin bronze <input type="checkbox"/> A	+\$10
<b>91</b> white <input type="checkbox"/> A	+\$0
<b>98</b> studio white <input type="checkbox"/> A	+\$0
<b>BK</b> black <input type="checkbox"/> A	+\$0
<b>G1</b> graphite <input type="checkbox"/> A	+\$0
<b>MS</b> metallic silver <input type="checkbox"/> A	+\$0

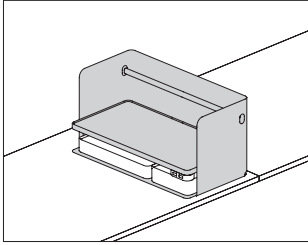
### Step 7. Insert Liner Finish

For insert liner (L)

Price Category 4 +\$0

# Large Organizer

YT150.



### Product Information

#### Description

This large organizer rests on the surface. It has a painted metal shelf and rod for attaching and holding accessory products and other items. The steel frame allows magnetic attachment of the document clip and name tag. The accessory containers fit on the organizer above or below the shelf. The USB power module attaches to the underside of the shelf. The rod bookend attaches to the rod. Rod finish matches organizer finish.

#### Notes

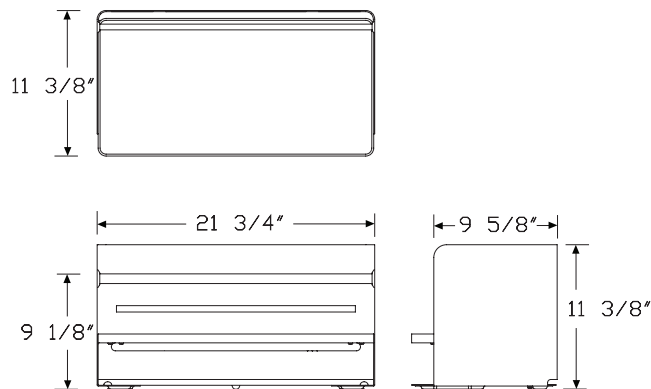
Order the following accessories separately:

- Magnetic document clip (YT400.)
- Name tag (YT410.)
- USB power module (YT420.)
- Rod bookend (YT440.)
- Organizer liner (YT500.)
- Short bin (YT800.)
- Square pencil cup (YT820.)
- Round pencil cup (YT825.)
- Tray (YT830.)
- Box (YT840.)

Order surface clamp for organizers (YT460.) separately.

Large organizer is recommended for use on Renew™ Link single-sided and back-to-back rectangular height-adjustable benches (DU1A, DU2A). It is not recommended for use on Renew Link back-to-back trapezoid height-adjustable bench (DU2T).

#### Dimensions



### Specification Information

#### Step 1.

**YT150.**  A

#### Step 2. Height

**11** 11" high  A

#### Step 3. Width

**11** 11" wide  A

#### Step 4. Depth

**22** 22" deep  A

#### Step 5. Shelf Material

**M** painted metal  A

**L** insert liner  A

#### Prices for Steps 1-5.

	<b>22M</b>	<b>22L</b>
<b>YT150. 11 11</b>	\$660	791

#### Step 6. Organizer Finish

<b>SNB</b> satin bronze <input type="checkbox"/> A	+\$10
<b>91</b> white <input type="checkbox"/> A	+\$0
<b>98</b> studio white <input type="checkbox"/> A	+\$0
<b>BK</b> black <input type="checkbox"/> A	+\$0
<b>G1</b> graphite <input type="checkbox"/> A	+\$0
<b>MS</b> metallic silver <input type="checkbox"/> A	+\$0

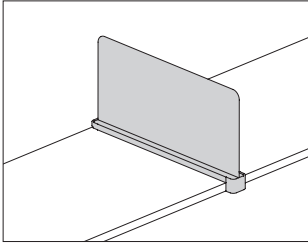
#### Step 7. Insert Liner Finish

For insert liner (L)

Price Category 4 +\$0

# Slim Screen

YT200.



## Product Information

### Description

This screen clamps to the front and back of a surface and is movable without tools. Steel screen allows for attachment of the magnetic document clip, name tag, and magnetic marker board. Screen comes with a ledge liner in a choice of colors.

### Notes

Clamp attaches to square edge surfaces with minimum 1" or 1 1/8" nominal thickness.

No HermanMiller legs interfere with the clamp.

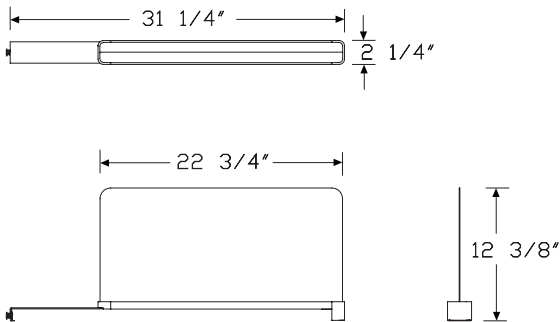
Screen can be mounted to surfaces 24"-36" deep. 24" deep screen (24) can be adjusted to fit up to a 30" deep work surface. 30" deep screen (30) can be adjusted to fit up to a 36" deep work surface.

Order the following accessories separately:

- Magnetic document clip (YT400.)
- Name tag (YT410.)
- Magnetic marker board (YT450.)
- Slim screen liner (YT540.)

Slim screen is recommended for use on Renew™ Link single-sided and back-to-back rectangular height-adjustable benches (DU1A, DU2A). It is not recommended for use on Renew Link back-to-back trapezoid height-adjustable bench (DU2T).

## Dimensions



## Specification Information

### Step 1.

**YT200.**

### Step 2. Height

**11** 11" high

### Step 3. Width

**02** 2" wide

### Step 4. Depth

**24** 24" deep

**30** 30" deep

### Step 5. Attachment Type

**S** surface clamp

### Step 6. Ledge Material

**L** liner

### Prices for Steps 1-6.

	24SL	30SL
<b>YT200. 11 02</b>	\$409	424

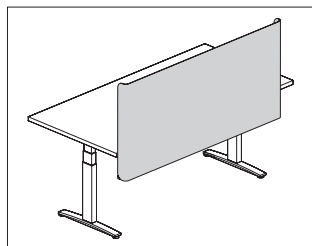
### Step 7. Screen Finish

<b>SNA</b> satin aluminum <input type="checkbox"/>	+\$10
<b>SNB</b> satin bronze <input type="checkbox"/>	+\$10
<b>SNC</b> satin carbon <input type="checkbox"/>	+\$10
<b>91</b> white <input type="checkbox"/>	+\$0
<b>98</b> studio white <input type="checkbox"/>	+\$0
<b>BK</b> black <input type="checkbox"/>	+\$0
<b>G1</b> graphite <input type="checkbox"/>	+\$0
<b>MS</b> metallic silver <input type="checkbox"/>	+\$0

### Step 8. Ledge Liner Finish

Price Category 4 +\$0

# Metal Straight Screen, Surface Attached with Modesty YT250.



## Product Information

### Description

This metal screen attaches to an individual table, desk, stationary or height-adjustable work surface. It has a frameless all-metal design with a straight edge and includes a modesty panel. Screen has built-in ledge to support documents when used with the magnetic document clip. Screen accepts magnets. Attachment hardware included.

### Notes

Screen top edge is 11.375" above top of work surface; bottom edge is 3.8" below work surface.

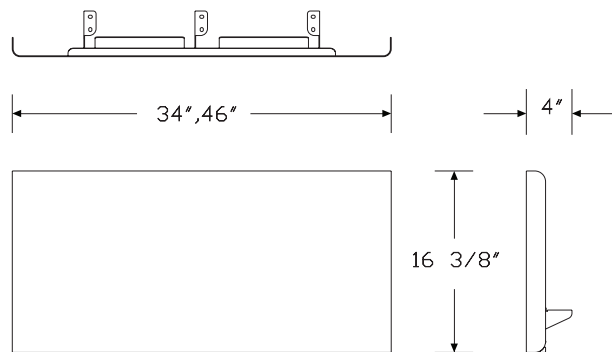
Recommended mounting creates a 1" gap between back edge of surface and the screen to accommodate cable routing and the attachment or clamp-mounting of other hardware to the surface.

Attachment brackets are inset from edge of screen by approximately 6 1/2" and require 2 1/2" of work surface for attachment.

Attachment bracket finish matches specified screen finish.

Order magnetic document clip (YT400.) separately.

### Dimensions



## Specification Information

### Step 1.

**YT250.**

### Step 2. Height

**A** 11" high

### Step 3. Width

**34** 34" wide

**46** 46" wide

### Prices for Steps 1-3.

	<b>34</b>	<b>46</b>
<b>YT250. A</b>	\$422	449

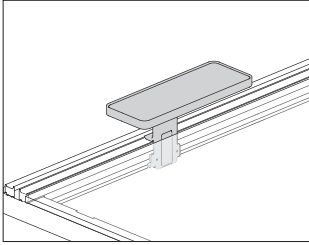
### Step 4. Screen Finish

<b>SNB</b>	satin bronze	+\$10
<b>91</b>	white	+\$0
<b>98</b>	studio white	+\$0
<b>G1</b>	graphite	+\$0
<b>MS</b>	metallic silver	+\$0

Thrive™ Work Tools

# Shelf

YT300.



## Product Information

### Description

This painted metal shelf comes in 4 sizes and mounts to a surface along the back edge, to a Layout Studio® performance rail or a Canvas Vista™ chase. All attachment types are user movable without tools. The backdrop is optional, and can be easily retrofitted in the field. Backdrop and rod finish match shelf finish. When attached to a surface along the back edge or a Layout Studio performance rail, the space under the shelf can accommodate accessory boxes. Shelf comes with a liner in a choice of colors.

### Notes

Changing the attachment type on an existing shelf is not easily completed in the field.

Order the following accessories separately:

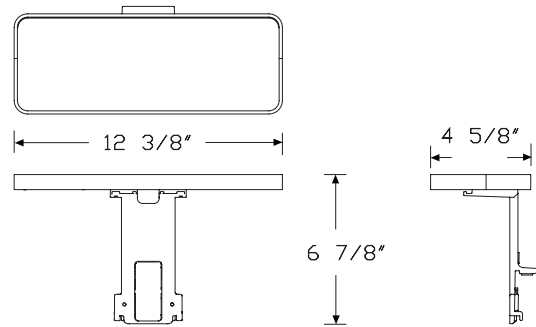
- Name tag (YT410.)
- USB power module (YT420.)
- Rod bookend (YT440.) for 8" shelf depth only
- Short bin (YT800.)
- Small box (YT840.S)
- Square pencil cup (YT820.)
- Round pencil cup (YT825.)
- Shelf liner (YT510.)

Vista chase mount (C) attaches to the Canvas Vista Chase (FG110).

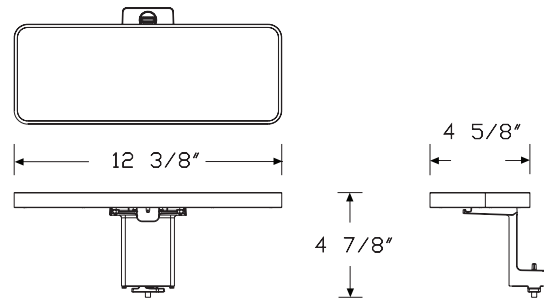
Attachment hardware included. For additional information, see Canvas Vista planning guide.

Thrive™ Work Tools

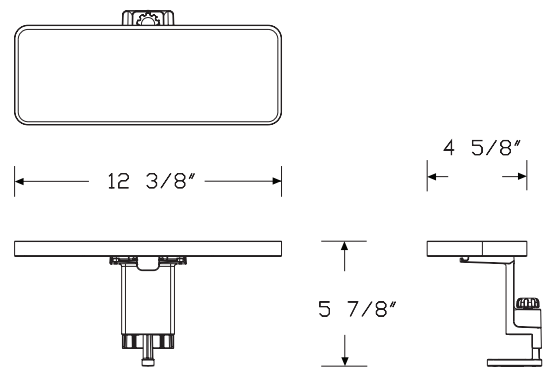
## Dimensions



(R) Rail mount stanchion for layout studio performance rail



(C) Vista chase mount



(S) Surface clamp stanchion



Shelf *continued*

**Specification Information**

Step 1.

**YT300.**  **A**

Step 2. Height

**04** 4" high  **A**

Step 3. Width

**12** 12" wide  **A**

**15** 15" wide  **A**

**22** 22" wide  **A**

Step 4. Depth

*For 12" wide (12)*

**05** 5" deep  **A**

*For 15" wide (15)*

**08** 8" deep  **A**

*For 22" wide (22)*

**05** 5" deep  **A**

**08** 8" deep  **A**

Step 5. Attachment Type

**S** surface clamp stanchion  **A**

**R** rail mount stanchion for Layout Studio Performance Rail  **A**

**C** chase mount  **A**

Step 6. Backdrop

**N** no backdrop  **A**

**B** backdrop  **A**

Step 7. Shelf Material

**M** painted metal  **A**

**L** insert liner  **A**

Prices for Steps 1-7.

	<b>05SNM</b>	<b>05SNL</b>	<b>05SBM</b>	<b>05SBL</b>	<b>05RNM</b>	<b>05RNL</b>
<b>YT300. 04 12</b>	\$250	327	375	450	250	327
<b>22</b>	\$297	409	456	565	297	409

	<b>05RBM</b>	<b>05RBL</b>	<b>05CNM</b>	<b>05CNL</b>	<b>05CBM</b>	<b>05CBL</b>
<b>YT300. 04 12</b>	\$375	450	269	343	385	458
<b>22</b>	\$456	565	344	447	493	597

	<b>08SNM</b>	<b>08SNL</b>	<b>08SBM</b>	<b>08SBL</b>	<b>08RNM</b>	<b>08RNL</b>
<b>YT300. 04 15</b>	\$272	356	409	491	272	356
<b>22</b>	\$321	437	481	594	321	437

	<b>08RBM</b>	<b>08RBL</b>	<b>08CNM</b>	<b>08CNL</b>	<b>08CBM</b>	<b>08CBL</b>
<b>YT300. 04 15</b>	\$409	491	288	368	416	498
<b>22</b>	\$481	594	367	478	516	627

Step 8. Shelf Finish

Metallic Paint

**MS** metallic silver  **A** +\$0

**SNB** satin bronze  **A** +\$10

Sand Texture Paint

**BK** black  **A** +\$0

Smooth Paint

**91** white  **A** +\$0

**98** studio white  **A** +\$0

**G1** graphite  **A** +\$0

Step 9. Insert Liner Finish

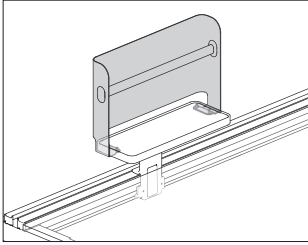
*For insert liner (L)*

Price Category 4 +\$0

Thrive™ Work Tools

# Shelf Backdrop

YT310.

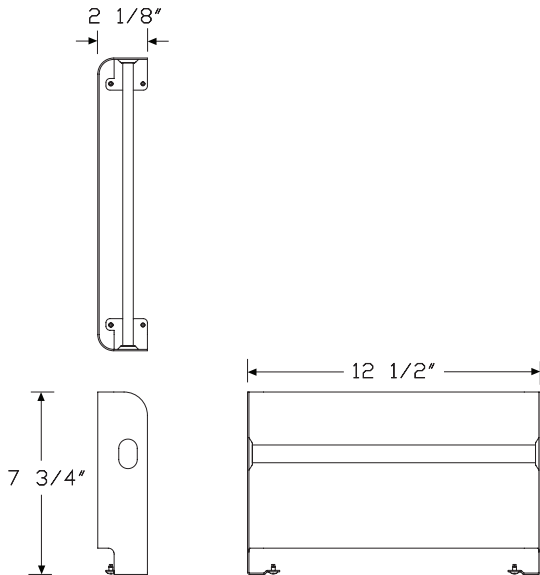


### Product Information

**Description**  
This backdrop can be retrofitted to the shelf in the field with minimal installation. Rod finish matches backdrop finish.

**Notes**  
This backdrop is to be used only with shelf (YT300.)  
Order the following accessories separately:  
• Name tag (YT410.)  
• Rod bookend (YT440.) for 8" depth shelf only

### Dimensions



Thrive™ Work Tools

### Specification Information

#### Step 1.

**YT310.**  A

#### Step 2. Height

**07** 7" high  A

#### Step 3. Width

**12** 12" wide  A

**15** 15" wide  A

**22** 22" wide  A

#### Prices for Steps 1-3.

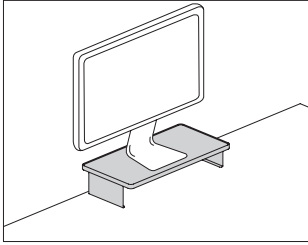
	12	15	22
<b>YT310. 07</b>	\$125	140	162

#### Step 4. Backdrop Finish

<b>SNB</b>	satin bronze <input type="checkbox"/> A	+\$10
<b>91</b>	white <input type="checkbox"/> A	+\$0
<b>98</b>	studio white <input type="checkbox"/> A	+\$0
<b>BK</b>	black <input type="checkbox"/> A	+\$0
<b>G1</b>	graphite <input type="checkbox"/> A	+\$0
<b>MS</b>	metallic silver <input type="checkbox"/> A	+\$0

# Monitor Platform Shelf

YT320.



### Product Information

#### Description

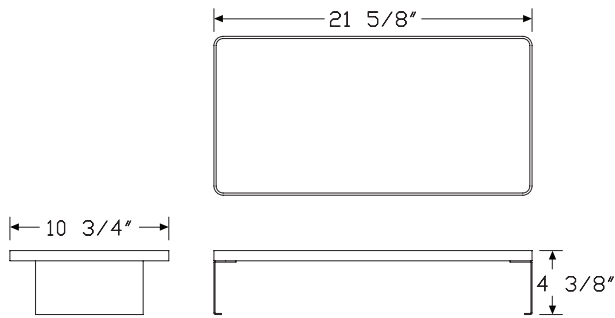
This painted steel shelf rests on a work surface and can hold a computer monitor when a monitor arm is not used. An optional shelf liner comes in a choice of colors. The short bin and small box accessories fit under the shelf.

#### Notes

Order the following accessories separately:

- USB power module (YT420.)
- Monitor platform shelf liner (YT520.)
- Short bin (YT800.)
- Small box (YT840.S)

#### Dimensions



### Specification Information

#### Step 1.

**YT320.**

#### Step 2. Height

**04** 4" high

#### Step 3. Width

**22** 22" wide

#### Step 4. Depth

**11** 11" deep

#### Step 5. Shelf Material

**M** painted metal

**L** insert liner

#### Prices for Steps 1-5.

	<b>11M</b>	<b>11L</b>
<b>YT320. 04 22</b>	\$344	476

#### Step 6. Monitor Platform Shelf Finish

<b>SNB</b> satin bronze <input type="checkbox"/>	+\$10
<b>91</b> white <input type="checkbox"/>	+\$0
<b>98</b> studio white <input type="checkbox"/>	+\$0
<b>BK</b> black <input type="checkbox"/>	+\$0
<b>G1</b> graphite <input type="checkbox"/>	+\$0
<b>MS</b> metallic silver <input type="checkbox"/>	+\$0

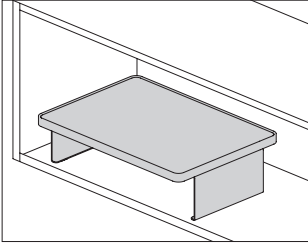
#### Step 7. Insert Liner Finish

For insert liner (L)

Price Category 4	+\$0
------------------	------

# Freestanding Shelf

YT330.



### Product Information

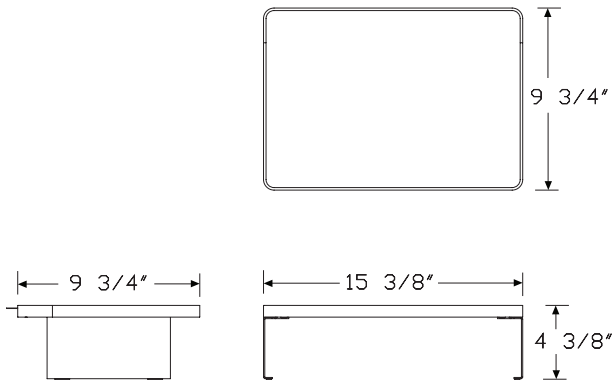
**Description**  
 This painted steel shelf rests on a work surface. An optional shelf liner comes in a choice of colors. The short bin and small box accessories fit under the shelf.

### Notes

- Order the following accessories separately:
- USB power module (YT420.)
  - Shelf liner (YT530.)
  - Short bin (YT800.)
  - Small box (YT840.S)

### Dimensions

Thrive™ Work Tools



### Specification Information

#### Step 1.

**YT330.**  A

#### Step 2. Height

**04** 4" high  A

#### Step 3. Width

**15** 15" wide  A

#### Step 4. Depth

**11** 11" deep  A

#### Step 5. Shelf Material

**M** painted metal  A

**L** insert liner  A

#### Prices for Steps 1-5.

	11M	11L
<b>YT330. 04 15</b>	\$281	396

#### Step 6. Shelf Finish

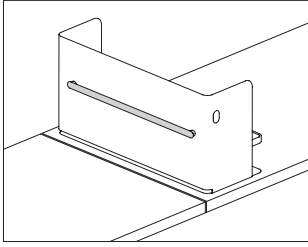
- 91** white  A +\$0
- 98** studio white  A +\$0
- BK** black  A +\$0
- G1** graphite  A +\$0
- MS** metallic silver  A +\$0
- SNB** satin bronze  A +\$10

#### Step 7. Insert Liner Finish

*For insert liner (L)*  
 Price Category 4 +\$0

# Magnetic Document Clip

YT400.



## Product Information

### Description

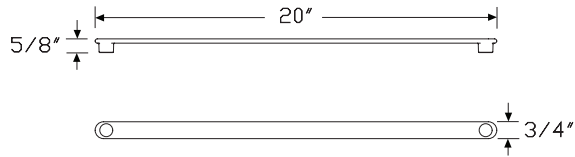
This document clip magnetically attaches to the back of the large and small organizers and the screen to provide storage for documents.

### Notes

Magnetic document clip fits on the following products, ordered separately:

- Small organizer (YT100.)
- Large organizer (YT150.)
- Slim screen (YT200.)

### Dimensions



## Specification Information

### Step 1.

**YT400.**  A

### Step 2. Depth

**20** 20" deep  A

### Prices for Steps 1-2.

**YT400. 20** \$102

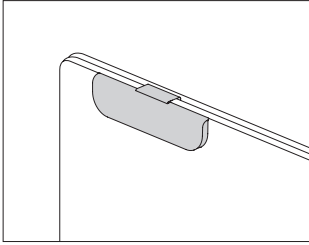
### Step 3. Finish

<b>SNB</b>	satin bronze <input type="checkbox"/> A	+\$10
<b>91</b>	white <input type="checkbox"/> A	+\$0
<b>98</b>	studio white <input type="checkbox"/> A	+\$0
<b>BK</b>	black <input type="checkbox"/> A	+\$0
<b>G1</b>	graphite <input type="checkbox"/> A	+\$0
<b>MS</b>	metallic silver <input type="checkbox"/> A	+\$0

Thrive™ Work Tools

Name Tag

YT410.



**Product Information**

**Description**

This clear name tag hangs on frameless fabric screens and PET screens or magnetically attaches to a variety of work tool products.

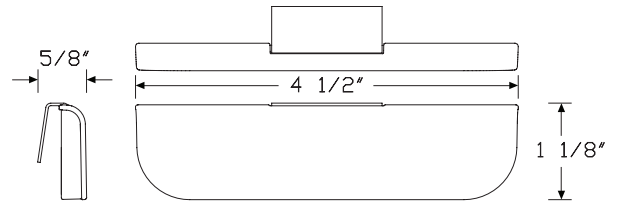
**Notes**

Name tag with magnetic bracket (M) can attach to the small organizer (YT100.), large organizer (YT150.), or shelf with backdrop (YT300. xxxxxxB).

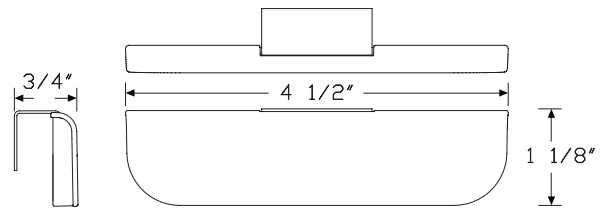
Name tag with Pari screen bracket (P) or flat edge screen bracket (S) can hang on any HermanMiller Pari screen or flat edge screen.

Order name tag insert (O.YT1900) separately through Sales Source.

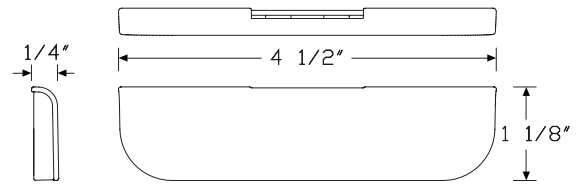
**Dimensions**



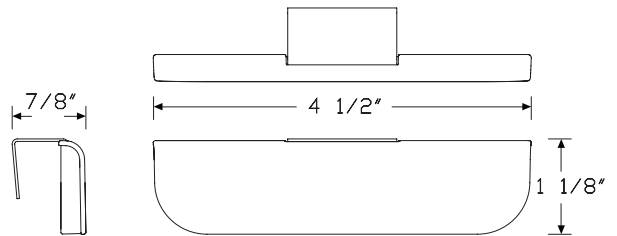
Pari Screen



Flat Edge Screen



Magnetic



Thin Profile Fabric Screen or PET Screen

# Name Tag *continued*

## Specification Information

Step 1.

**YT410.**  A

Step 2. Width

**05** 5" wide  A

Step 3. Bracket Type

**P** Pari Screen  A

**S** flat edge screen  A

**D** PET screen  A

**F** thin-profile fabric screen  A

**M** magnetic  A

Prices for Steps 1-3.

	<b>P</b>	<b>S</b>	<b>D</b>	<b>F</b>	<b>M</b>
<b>YT410. 05</b>	\$47	47	47	47	47

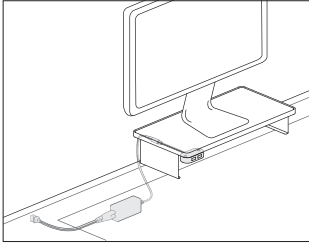
Step 4. Finish

*For Pari Screen (P), flat edge screen (S), or PET screen (D)*

**MS** metallic silver  A +\$0

# USB Power Module

YT420.



## Product Information

### Description

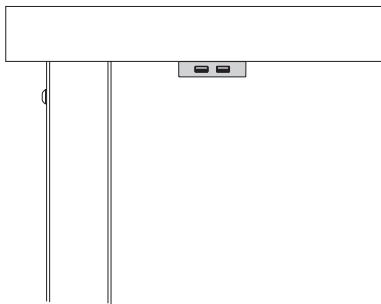
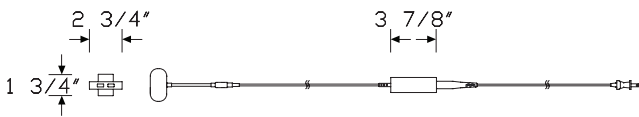
This USB power module provides DC power at the work surface level. It is available in configurations that support USB 2.1 and USB Type C. The module can be mounted to the small and large organizers, shelves, any work surface, and the Canvas Vista™ chase. Cord color is black. Attachment hardware included.

### Notes

USB power module requires a single AC outlet to provide power. Cord lengths are 1 meter from the AC outlet, and 1.8 meters from the module.

Vista chase mount attaches to underside of the Canvas Vista chase (FG110.). Attachment hardware included. For additional cable management, order cable manager, under chase (FG199.) separately. For additional information, see Canvas Vista planning guide.

### Dimensions



Chase Attachment



Shelf and surface Attachment

## Specification Information

### Step 1.

**YT420.**  A

### Step 2. Configuration

- A** configured with two standard USB ports, USB 2.1  A
- B** configured with one standard USB 2.1 port and one USB Type C  A

### Step 3. Attachment Type

- 1** shelf and surface attachment  A
- 2** chase mount  A

### Prices for Steps 1-3.

	1	2
<b>YT420. A</b>	\$214	241
<b>B</b>	\$319	343

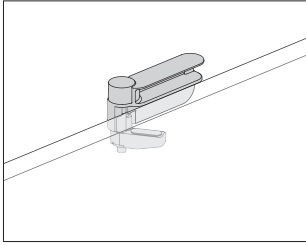
### Step 4. Finish

<b>91</b> white <input type="checkbox"/> A	+\$0
<b>98</b> studio white <input type="checkbox"/> A	+\$0
<b>BK</b> black <input type="checkbox"/> A	+\$0
<b>CL</b> cool grey neutral <input type="checkbox"/> A	+\$0
<b>G1</b> graphite <input type="checkbox"/> A	+\$0



# Cord Cleat

YT430.



### Product Information

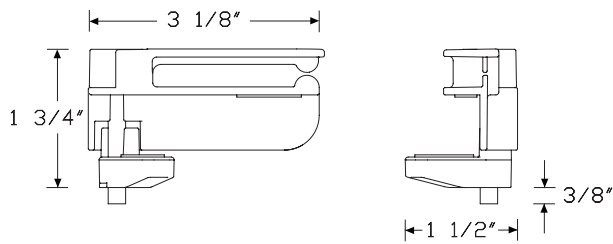
#### Description

This plastic cleat clamps to a work surface to provide cord management. It is easily movable by the user, and can hold up to 4 round monitor cords.

#### Notes

Cord cleat works with work surfaces from 3/4" to 1 1/8" thick.

#### Dimensions



### Specification Information

#### Step 1.

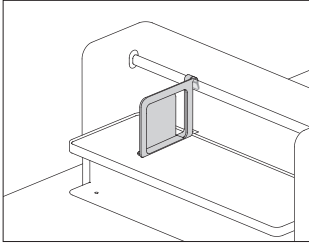
**YT430.** A \$42

#### Step 2. Finish

<b>91</b>	white	<span style="border: 1px solid black; padding: 0 2px;">A</span>	+\$0
<b>98</b>	studio white	<span style="border: 1px solid black; padding: 0 2px;">A</span>	+\$0
<b>BK</b>	black	<span style="border: 1px solid black; padding: 0 2px;">A</span>	+\$0
<b>CL</b>	cool grey neutral	<span style="border: 1px solid black; padding: 0 2px;">A</span>	+\$0
<b>G1</b>	graphite	<span style="border: 1px solid black; padding: 0 2px;">A</span>	+\$0

Rod Bookend

YT440.



**Product Information**

**Description**

This bookend vertically divides books, binders, and folders. It attaches to the rod of the small and large organizers and the shelf with backdrop, and is easily moved by the user.

**Notes**

- Order the following products separately:
- Small organizer (YT100.)
  - Large organizer (YT150.)
  - Shelf with backdrop (YT300.xxxx08xB)

**Dimensions**

**Specification Information**

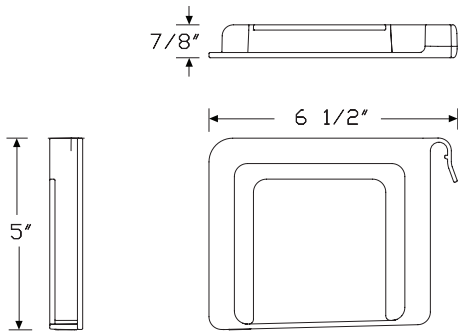
**Step 1.**

**YT440.** [A] \$42

**Step 2. Finish**

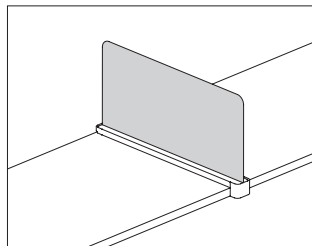
- 91** white [A] +\$0
- 98** studio white [A] +\$0
- BK** black [A] +\$0
- CL** cool grey neutral [A] +\$0
- G1** graphite [A] +\$0

Thrive™ Work Tools



# Magnetic Marker Board

YT450.



### Product Information

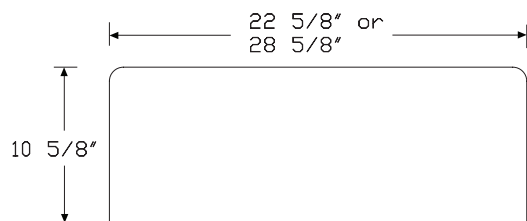
#### Description

This white magnetic marker board attaches to a slim screen and is user movable.

#### Notes

Order slim screen (YT200.) separately.

#### Dimensions



### Specification Information

#### Step 1.

YT450.  A

#### Step 2. Application

1 24" deep screen  A

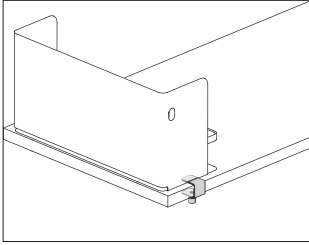
2 30" deep screen  A

#### Prices for Steps 1-2.

YT450. 1	\$75
2	\$88

# Surface Clamp

YT460.



### Product Information

#### Description

This clamp can be added to the small and large organizers.

#### Notes

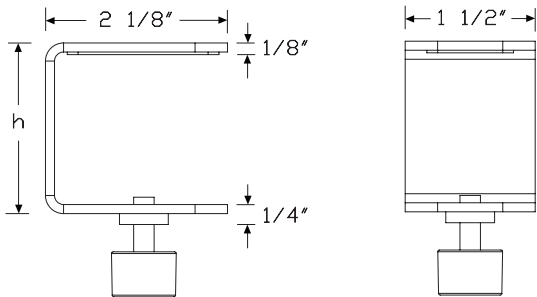
Surface clamp attaches to square edge work surfaces from 3/4" to 1 1/8" thick.

Specify standard application (1) for use with most HermanMiller work surfaces and legs. See Planning Guide for exact applications.

Specify Canvas Office Landscape® universal leg application (2) to clamp an organizer on top of a Canvas universal leg.

#### Dimensions

Thrive™ Work Tools



### Specification Information

#### Step 1.

**YT460.**

#### Step 2. Application

- 1** standard
- 2** Canvas Office Landscape® universal leg

#### Prices for Steps 1-2.

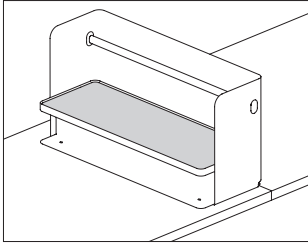
<b>YT460. 1</b>	\$75
<b>2</b>	\$75

#### Step 3. Finish

<b>SNB</b>	satin bronze <input type="checkbox"/>	+\$10
<b>91</b>	white <input type="checkbox"/>	+\$0
<b>98</b>	studio white <input type="checkbox"/>	+\$0
<b>BK</b>	black <input type="checkbox"/>	+\$0
<b>G1</b>	graphite <input type="checkbox"/>	+\$0
<b>MS</b>	metallic silver <input type="checkbox"/>	+\$0

# Organizer Liner

YT500.



### Product Information

#### Description

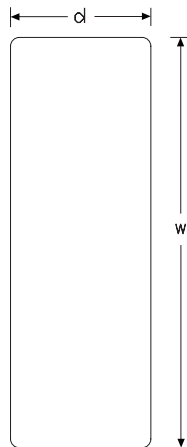
This liner retrofits to the small and large organizers. It is user movable without tools. Top material is polyester felt.

#### Notes

Specify 8" width (08) for a small organizer (YT100.).

Specify 11" width (11) for a large organizer (YT150.).

#### Dimensions



### Specification Information

#### Step 1.

**YT500.**  A

#### Step 2. Width

**08** 8" wide  A

**11** 11" wide  A

#### Step 3. Depth

**22** 22" deep  A

#### Prices for Steps 1-3.

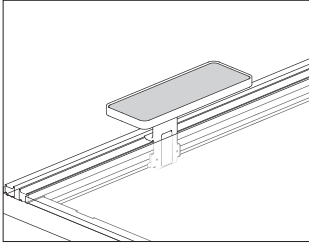
	<b>22</b>
<b>YT500. 08</b>	\$117
<b>11</b>	\$134

#### Step 4. Liner Finish

Price Category 4 +\$0

Shelf Liner

YT510.

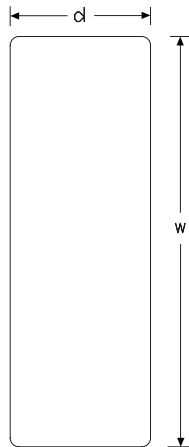


**Product Information**

**Description**  
 This liner retrofits to the shelf. It is user movable without tools. Top material is polyester felt.

**Notes**  
 Shelf liner is compatible with shelf (YT300.).

**Dimensions**



Thrive™ Work Tools

**Specification Information**

**Step 1.**

**YT510.**  A

**Step 2. Width**

- 12** 12" wide  A
- 15** 15" wide  A
- 22** 22" wide  A

**Step 3. Depth**

*For 12" wide (12)*

- 05** 5" deep  A

*For 15" wide (15)*

- 08** 8" deep  A

*For 22" wide (22)*

- 05** 5" deep  A
- 08** 8" deep  A

**Prices for Steps 1-3.**

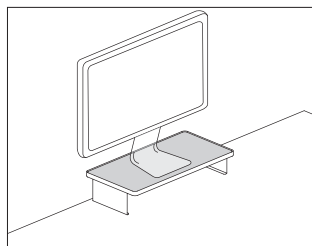
	<b>05</b>	<b>08</b>
<b>YT510. 12</b>	\$81	—
<b>15</b>	—	\$88
<b>22</b>	\$112	117

**Step 4. Liner Finish**

Price Category 4 +\$0

Monitor Platform Shelf Liner

YT520.



**Product Information**

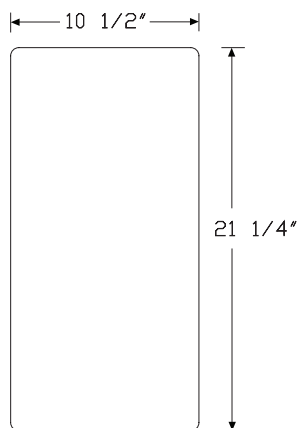
**Description**

This liner retrofits to the monitor platform shelf. It is user movable without tools. Top material is polyester felt.

**Notes**

Liner is compatible with monitor platform shelf (YT320.).

**Dimensions**



**Specification Information**

**Step 1.**

**YT520.**  A

**Step 2. Width**

**22** 22" wide  A

**Step 3. Depth**

**11** 11" deep  A

**Prices for Steps 1-3.**

	<b>11</b>
<b>YT520. 22</b>	<b>\$134</b>

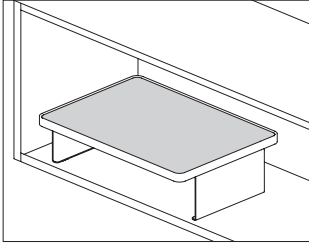
**Step 4. Liner Finish**

Price Category 4 +\$0

Thrive™ Work Tools

Freestanding Shelf Liner

YT530.

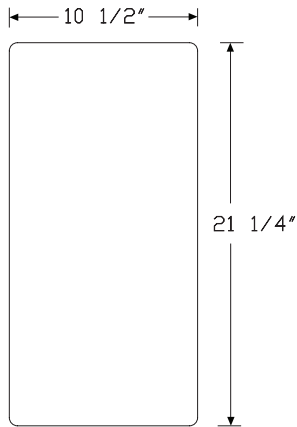


**Product Information**

**Description**  
 This liner retrofits to the freestanding shelf. It is user movable without tools. Top material is polyester felt.

**Notes**  
 Liner is compatible with shelf (YT330.).

**Dimensions**



Thrive™ Work Tools

**Specification Information**

Step 1.

**YT530.**  A

Step 2. Width

**15** 15" wide  A

Step 3. Depth

**11** 11" deep  A

Prices for Steps 1-3.

	<b>11</b>
<b>YT530. 15</b>	<b>\$117</b>

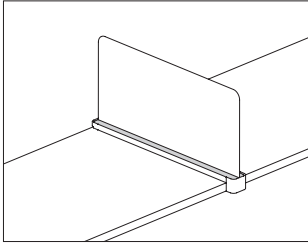
Step 4. Liner Finish

Price Category 4 +\$0



Slim Screen Liner

YT540.



**Product Information**

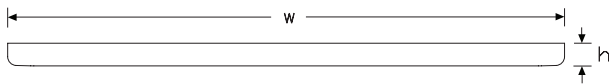
**Description**

This liner retrofits to the slim screen. It is user movable without tools. Top material is polyester felt.

**Notes**

Liner is compatible with slim screen (YT200.).

**Dimensions**



**Specification Information**

**Step 1.**

**YT540.**  A

**Step 2. Width**

**02** 2" wide  A

**Step 3. Depth**

**24** 24" deep  A

**30** 30" deep  A

**Prices for Steps 1-3.**

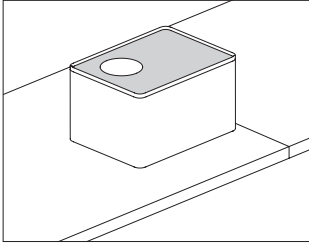
	<b>24</b>	<b>30</b>
<b>YT540. 02</b>	\$81	104

**Step 4. Liner Finish**

Price Category 4 +\$0

Formwork Liner

YT550.



**Product Information**

Description

This liner retrofits to Formwork bins and boxes. It is user movable without tools. Top material is polyester felt.

Notes

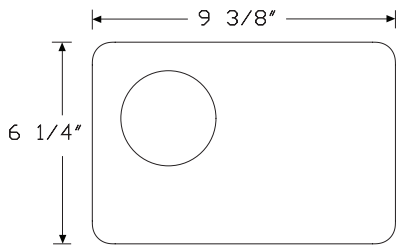
Formwork liner is compatible with the following products:

- Short bin (YT800.)
- Tall bin (YT810.)
- Box, small and large (YT840.S, YT840.L).

For use on the lid or base of the large and small box, specify application option (B).

For use on the lid or base of the tall and short bin, specify application option (T).

Dimensions



**Specification Information**

Step 1.

**YT550.** A

Step 2. Application

**B** large and small box A

**T** tall and short bin A

Prices for Steps 1-2.

<b>YT550. B</b>	\$77
<b>T</b>	\$107

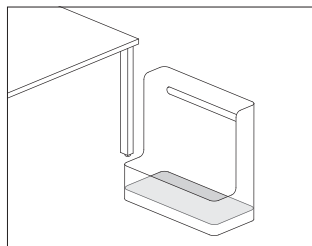
Step 3. Liner Finish

Price Category 4	+\$0
------------------	------

Thrive™ Work Tools

# Mobile Bag Catch Base Liner

YT560.



### Product Information

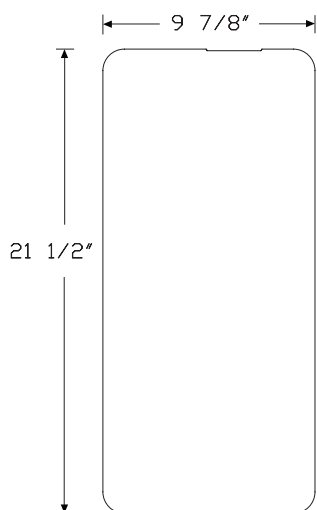
#### Description

This liner retrofits to the base of the mobile bag catch. It is user movable without tools. Top material is polyester felt.

#### Notes

Base liner is compatible with mobile bag catch (YT710.).

#### Dimensions



### Specification Information

#### Step 1.

**YT560.**  A

#### Step 2. Width

**10** 10" wide  A

#### Step 3. Depth

**22** 22" deep  A

#### Prices for Steps 1-3.

	<b>22</b>
<b>YT560. 10</b>	<b>\$158</b>

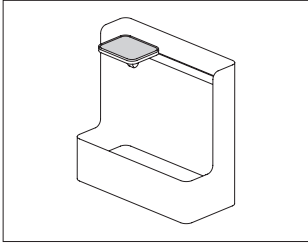
#### Step 4. Liner Finish

Price Category 4 +\$0

Thrive™ Work Tools

# Mobile Bag Catch Shelf Liner

YT565.



## Product Information

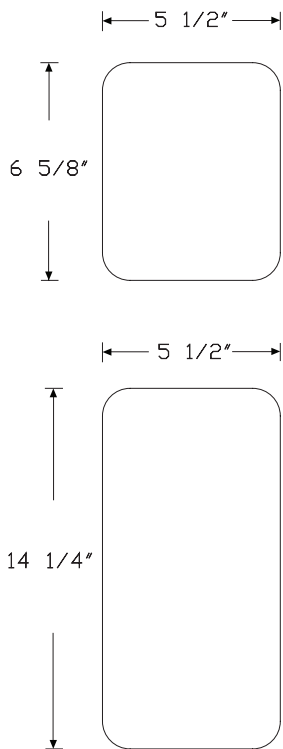
### Description

This liner retrofits to the accessory shelf used with the mobile bag catch or Ambit™ shroud. It is user movable without tools. Top material is polyester felt.

### Notes

Shelf liner is compatible with mobile bag catch (YT710.) and accessory shelf (YT715.).

### Dimensions



Thrive™ Work Tools

## Specification Information

### Step 1.

**YT565.** A

### Step 2. Width

**06** 6" wide A

### Step 3. Depth

*For 6" wide (06)*

**07** 7" deep A

### Prices for Steps 1-3.

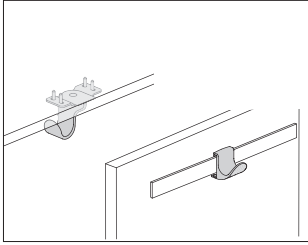
	<b>07</b>
<b>YT565. 06</b>	\$67

### Step 4. Liner Finish

Price Category 4 +\$0

# Bag Hook

YT700.



## Product Information

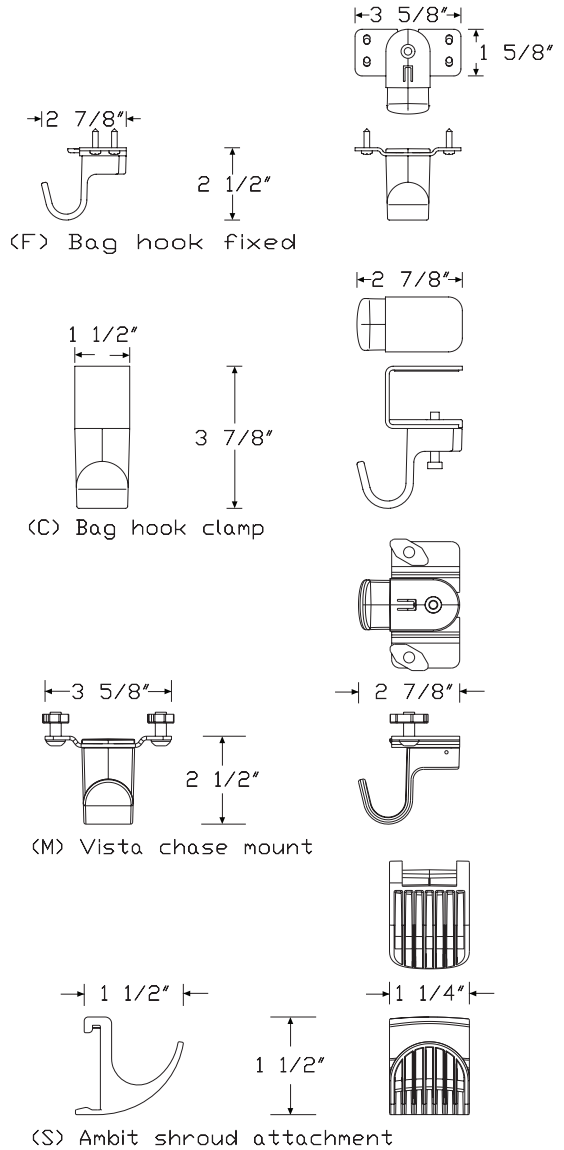
### Description

This bag hook clamps to a work surface, mounts under the surface with screws, mounts to the underside of the Canvas Vista™ chase, or attaches to the Ambit™ shroud. The hook rotates 360° to hold the bag under the surface. Clamp mount is easily moved by the user. Fixed attachment option includes attachment hardware.

### Notes

Clamp attaches to work surfaces from  $\frac{3}{4}$ " to  $1\frac{1}{8}$ " thick.  
 Maximum weight capacity is 15 pounds for clamp and fixed attachment; maximum weight capacity for hook attached to rail is 35 pounds.  
 Vista chase mount (M) attaches to underside of Canvas Vista chase (FG110.). Attachment hardware included. It is user movable. For additional information, see Canvas Vista planning guide.

## Dimensions



# Bag Hook *continued*

## Specification Information

Step 1.

**YT700.**

Step 2. Attachment Type

**S** shroud

**C** clamp

**F** fixed

**M** chase mount

Prices for Steps 1-2.

<b>YT700. S</b>	\$60
<b>C</b>	\$67
<b>F</b>	\$67
<b>M</b>	\$65

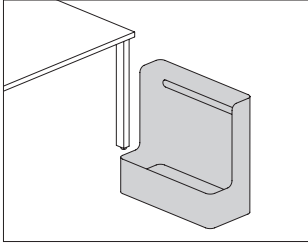
Step 3. Finish

*For clamp (C), fixed (F), or chase mount (M)*

<b>91</b> white <input type="checkbox"/>	+\$0
<b>98</b> studio white <input type="checkbox"/>	+\$0
<b>BK</b> black <input type="checkbox"/>	+\$0
<b>G1</b> graphite <input type="checkbox"/>	+\$0
<b>MS</b> metallic silver <input type="checkbox"/>	+\$0

# Mobile Bag Catch

YT710.



## Product Information

### Description

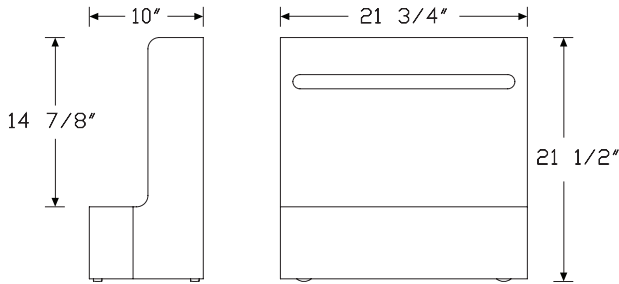
This mobile bag catch provides storage for a personal bag. It also provides a natural boundary between users on either side of the catch. It rests on wheels for ease of movement. An optional shelf liner is available in a choice of colors.

### Notes

Order the following products separately:

- Mobile bag catch base liner (YT560.)
- Mobile bag catch shelf liner (YT565.)

### Dimensions



## Specification Information

### Step 1.

**YT710.**  A

### Step 2. Height

**21** 21" high  A

### Step 3. Width

**10** 10" wide  A

### Step 4. Depth

**22** 22" deep  A

### Step 5. Base Material

**L** insert liner  A

### Step 6. Shelf Option

**N** no shelf  A

**S** shelf  A

### Step 7. Shelf Material

#### For no shelf (N)

**N** no shelf  A

#### For shelf (S)

**M** painted metal  A

**L** insert liner  A

### Prices for Steps 1-7.

	22LNN	22LSM	22LSL
<b>YT710. 21 10</b>	\$683	723	789

### Step 8. Bag Cubby Finish

**91** white  A +\$0

**98** studio white  A +\$0

**BK** black  A +\$0

**G1** graphite  A +\$0

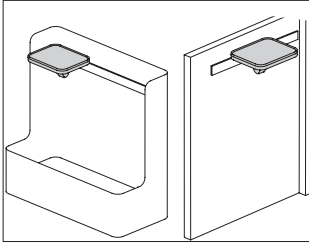
**MS** metallic silver  A +\$0

### Step 9. Insert Liner Finish

Price Category 4 +\$0

# Accessory Shelf

YT715.



## Product Information

### Description

This painted metal shelf can be retrofit to the mobile bag catch or Ambit™ shroud. An optional liner is available in a choice of colors.

### Notes

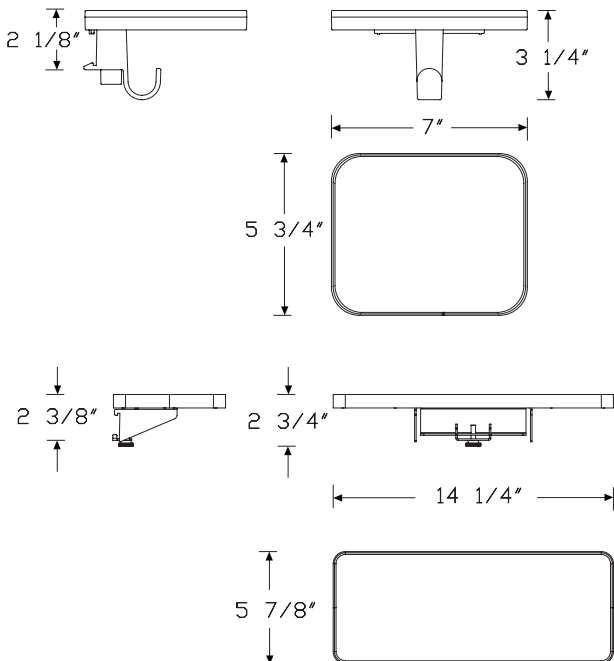
Bag hook included for mobile bag catch (BC) attachment and shroud attachment for 24"-deep tables (S2) options.

Shroud attachment for 30"-deep tables (S3) option is shelf only.

Order the following products separately:

- Mobile bag catch (YT710.)
- Ambit height adjustable table leg shroud (DV8S)
- Accessory shelf liner (YT565.)

## Dimensions



Thrive™ Work Tools

## Specification Information

### Step 1.

**YT715.**  A

### Step 2. Shelf Product Attachment

- BC** mobile bag catch  A
- S2** shroud - 24" deep tables  A
- S3** shroud - 30" deep tables  A

### Step 3. Width

*For mobile bag catch (BC) or shroud - 30" deep tables (S3)*

- 15** 15" wide  A
- 06** 6" wide  A

*For shroud - 24" deep tables (S2)*

- 06** 6" wide  A

### Step 4. Depth

*For 6" wide (06)*

- 07** 7" deep  A

*For 15" wide (15)*

- 06** 6" deep  A

### Step 5. Shelf Material

- M** painted metal  A
- L** insert liner  A

### Prices for Steps 1-5.

	06M	06L	07M	07L
<b>YT715. BC 15</b>	\$225	357	—	—
<b>06</b>	—	—	\$150	88
<b>S2 06</b>	—	—	\$88	150
<b>S3 15</b>	\$225	357	—	—
<b>06</b>	—	—	\$88	150

### Step 6. Mobile Bag Catch Shelf Finish

- 91** white  A +\$0
- 98** studio white  A +\$0
- BK** black  A +\$0
- G1** graphite  A +\$0
- MS** metallic silver  A +\$0



## Accessory Shelf *continued*

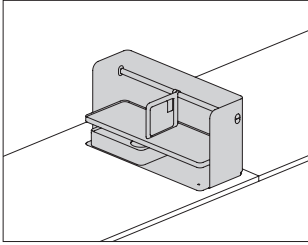
---

Step 7. Insert Liner Finish

*For insert liner (L)*

Price Category 4

+\$0



**Product Information**

**Description**

This kit includes the following work tools:

- Small organizer without liner
- Rod bookend
- Formwork small box with cup

**Notes**

Finish (Step 2) combinations are predetermined.

For white (91):

- White (91) small organizer without liner
- White (91) rod bookend

For graphite (G1):

- Graphite (G1) small organizer without liner
- Graphite (G1) rod bookend

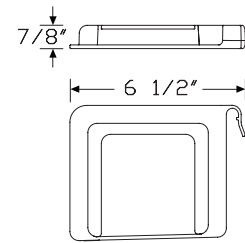
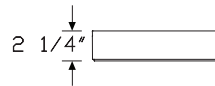
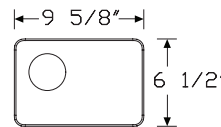
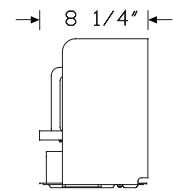
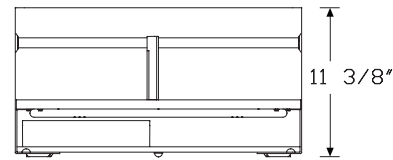
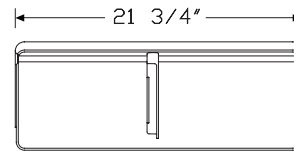
For metallic silver (MS):

- Metallic silver (MS) small organizer without liner
- Cool grey neutral (CL) rod bookend

Formwork finish (Step 3) is independent of (Step 2) finish specification.

Thrive™ Work Tools

**Dimensions**

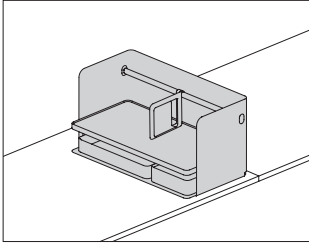


## Small Organizer Kit #1 *continued*

Specification Information		
Step 1.		
<b>YT900.</b>	<input type="checkbox"/>	\$723
Step 2. Finish		
Metallic Paint		
<b>MS</b>	metallic silver <input type="checkbox"/>	+\$0
<b>SNB</b>	satin bronze <input type="checkbox"/>	+\$10
Sand Texture Paint		
<b>BK</b>	black <input type="checkbox"/>	+\$0
Smooth Paint		
<b>91</b>	white <input type="checkbox"/>	+\$0
<b>98</b>	studio white <input type="checkbox"/>	+\$0
<b>G1</b>	graphite <input type="checkbox"/>	+\$0
Step 3. Formwork Finish		
<b>CRT</b>	concrete <input type="checkbox"/>	+\$0
<b>NYX</b>	onyx <input type="checkbox"/>	+\$0

# Large Organizer Kit #1

YT910.



## Product Information

### Description

This kit includes the following work tools:

- Large organizer without liner
- Rod bookend
- Formwork small box with cup
- Formwork short bin without lid

### Notes

Finish (Step 2) combinations are predetermined.

For white (91):

- White (91) large organizer without liner
- White (91) rod bookend

For graphite (G1):

- Graphite (G1) large organizer without liner
- Graphite (G1) rod bookend

For metallic silver (MS):

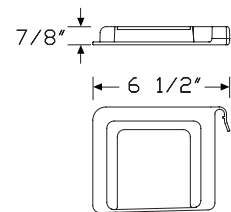
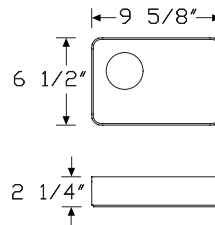
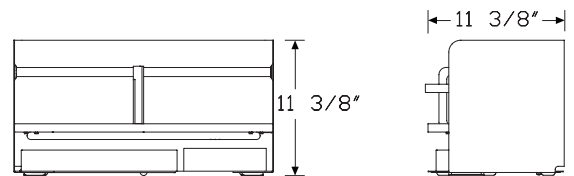
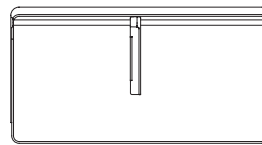
- Metallic silver (MS) large organizer without liner
- Cool grey neutral (CL) rod bookend

Formwork finish (Step 3) is independent of (Step 2) finish specification and applies to all included Formwork products in this kit.

Thrive™ Work Tools

## Dimensions

21 3/4"



13 1/8"



1 7/8"

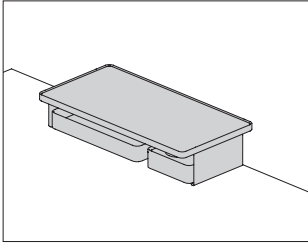


# Large Organizer Kit #1 *continued*

Specification Information		
Step 1.		
<b>YT910.</b>	<input type="checkbox"/>	\$884
Step 2. Finish		
Metallic Paint		
<b>MS</b>	metallic silver <input type="checkbox"/>	+\$0
Sand Texture Paint		
<b>BK</b>	black <input type="checkbox"/>	+\$0
Smooth Paint		
<b>91</b>	white <input type="checkbox"/>	+\$0
<b>98</b>	studio white <input type="checkbox"/>	+\$0
<b>G1</b>	graphite <input type="checkbox"/>	+\$0
Step 3. Formwork Finish		
<b>CRT</b>	concrete <input type="checkbox"/>	+\$0
<b>NYX</b>	onyx <input type="checkbox"/>	+\$0

Monitor Platform Stand Kit #1

YT920.



**Product Information**

**Description**

This kit includes the following work tools:

- Monitor platform stand without liner
- Formwork small box with cup
- Formwork short bin without lid

**Notes**

Finish (Step 2) combinations are predetermined.

For white (91):

- White (91) monitor platform stand without liner

For graphite (G1):

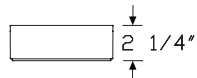
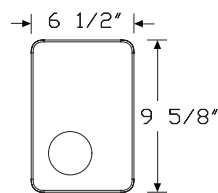
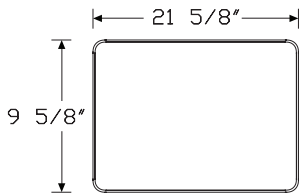
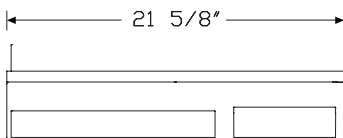
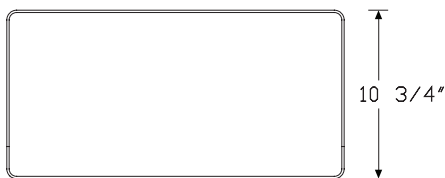
- Graphite (G1) monitor platform stand without liner

For metallic silver (MS):

- Metallic silver (MS) monitor platform stand without liner

Formwork finish (Step 3) is independent of (Step 2) finish specification and applies to all included Formwork products in this kit.

**Dimensions**



**Specification Information**

**Step 1.**

**YT920.** [A] \$532

**Step 2. Monitor Platform Stand Finish**

**Metallic Paint**

**MS** metallic silver [A] +\$0  
**SNB** satin bronze [A] +\$10

**Sand Texture Paint**

**BK** black [A] +\$0

**Smooth Paint**

**91** white [A] +\$0  
**98** studio white [A] +\$0  
**G1** graphite [A] +\$0

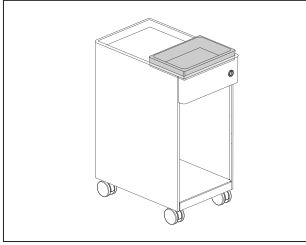
**Step 3. Formwork Finish**

**CRT** concrete [A] +\$0  
**NYX** onyx [A] +\$0

Thrive™ Work Tools

# Ambit™ Cork Tray

IH353.



### Product Information

#### Description

This cork tray provides space for personal items.

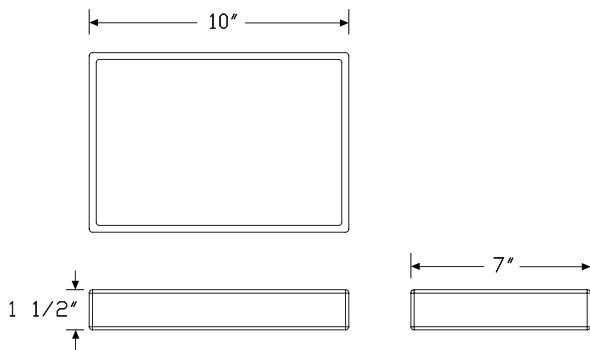
#### Notes

Compatible with the following products or as a stand-alone accessory:

- Ambit™ personal storage (IH100.)
- Ambit suspended storage (IH200.)

See planning guide for additional information.

#### Dimensions



### Specification Information

#### Step 1.

**IH353.**

#### Step 2. Depth

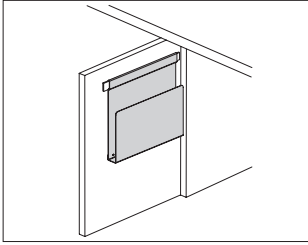
**07** 7" deep

#### Step 3. Width

**10** 10" wide

#### Prices for Steps 1-3.

	<b>10</b>
<b>IH353. 07</b>	<b>\$168</b>



**Product Information**

**Description**

This document holder rests on the optional tool rail of the Ambit™ Shroud. It has a painted metal surface and is designed to hold folders or personal office items.

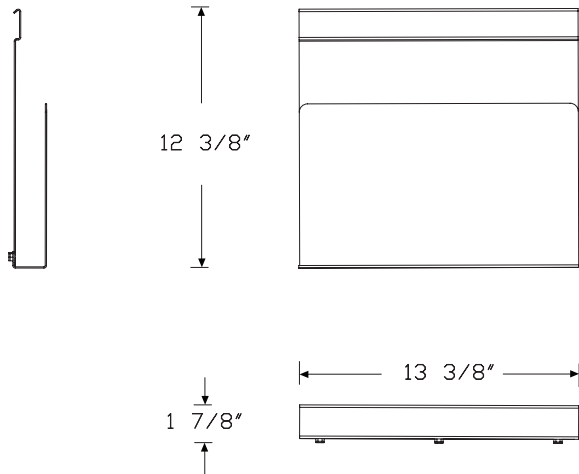
**Notes**

Document holder designed for use with Ambit shroud (DV8S) with tool rail (2) option.

Not available for use as a stand-alone accessory.  
See planning guide for additional information.

**Dimensions**

Thrive™ Work Tools



**Specification Information**

**Step 1.**

**YT716.**  A

**Step 2. Shelf Product Attachment**

**S3** shroud - 30" deep tables  A

**Prices for Steps 1-2.**

**YT716. S3** \$187

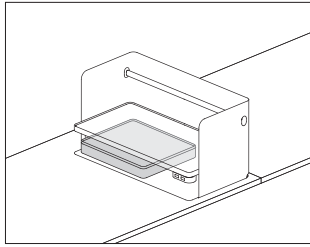
**Step 3. Finish**

<b>8Q</b>	folkstone grey <input type="checkbox"/> A	+\$0
<b>91</b>	white <input type="checkbox"/> A	+\$0
<b>98</b>	studio white <input type="checkbox"/> A	+\$0
<b>BK</b>	black <input type="checkbox"/> A	+\$0
<b>DB3</b>	glacier <input type="checkbox"/> A	+\$10
<b>DN2</b>	nightfall <input type="checkbox"/> A	+\$10
<b>DR1</b>	canyon <input type="checkbox"/> A	+\$10
<b>G1</b>	graphite <input type="checkbox"/> A	+\$0
<b>OLF</b>	olive <input type="checkbox"/> A	+\$10
<b>WL</b>	sandstone <input type="checkbox"/> A	+\$0
<b>WN</b>	warm grey neutral <input type="checkbox"/> A	+\$0
<b>CN</b>	metallic champagne <input type="checkbox"/> A	+\$0
<b>MS</b>	metallic silver <input type="checkbox"/> A	+\$0
<b>SNA</b>	satin aluminum <input type="checkbox"/> A	+\$15
<b>SNB</b>	satin bronze <input type="checkbox"/> A	+\$15
<b>SNC</b>	satin carbon <input type="checkbox"/> A	+\$15



# Short Bin

YT800.



### Product Information

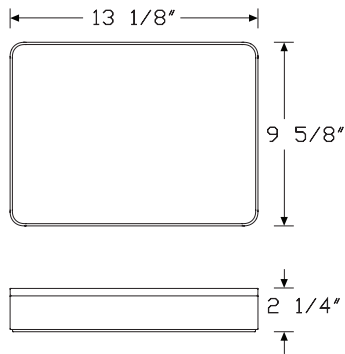
#### Description

This short bin is designed to hold office tools and personal items. It is crafted of high gloss ABS plastic. It can stack on tall bins and boxes.

#### Notes

Order Formwork liner (YT550.) separately.

#### Dimensions



### Specification Information

#### Step 1.

**YT800.**  A

#### Step 2. Lid Option

**N** no lid  A

**L** with lid  A

#### Prices for Steps 1-2.

<b>YT800. N</b>	\$81
<b>L</b>	\$115

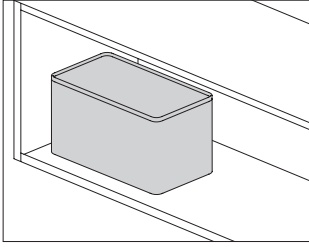
#### Step 3. Finish

**CRT** concrete  A +\$0

**NYX** onyx  A +\$0

Tall Bin

YT810.

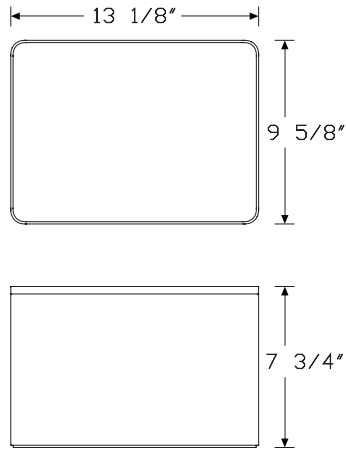


**Product Information**

**Description**  
 This tall bin is designed to hold office tools and personal items. It is crafted of high gloss ABS plastic. It can stack on short bins and boxes.

**Notes**  
 Order Formwork liner (YT550.) separately.

**Dimensions**



Thrive™ Work Tools

**Specification Information**

**Step 1.**

**YT810.**  A

**Step 2. Lid Option**

**N** no lid  A

**L** with lid  A

**Prices for Steps 1-2.**

<b>YT810. N</b>	\$139
<b>L</b>	\$170

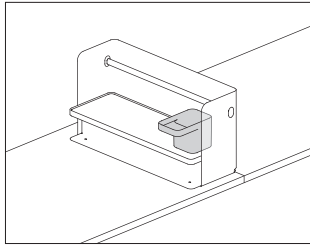
**Step 3. Finish**

**CRT** concrete  A +\$0

**NYX** onyx  A +\$0

# Square Pencil Cup

YT820.

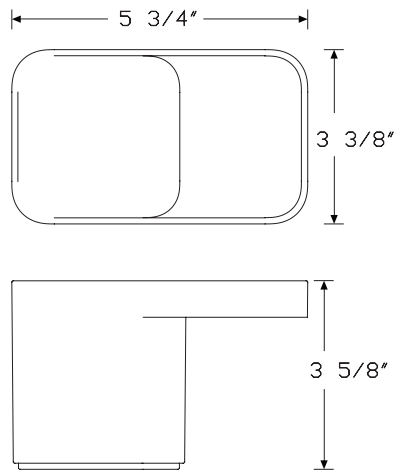


## Product Information

### Description

The pencil cup is designed to hold pencils, pens, markers, and office tools. It also has an integrated ledge for convenient storage of other small items. It is crafted of high gloss ABS plastic with a silicone base.

### Dimensions



## Specification Information

### Step 1.

**YT820.**  A \$50

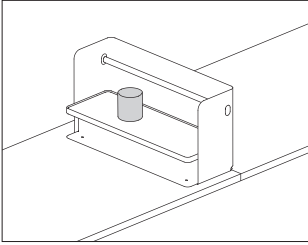
### Step 2. Finish

**CRT** concrete  A +\$0

**NYX** onyx  A +\$0

# Round Pencil Cup

YT825.

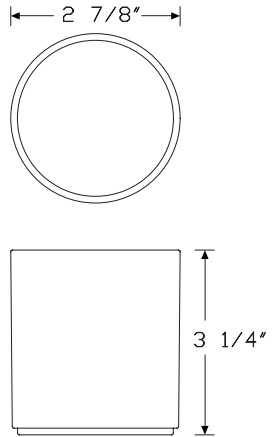


### Product Information

#### Description

The round pencil cup is designed to hold pencils, pens, markers, and office tools. It is crafted of high gloss ABS plastic.

### Dimensions



### Specification Information

#### Step 1.

**YT825.** [A] \$50

#### Step 2. Finish

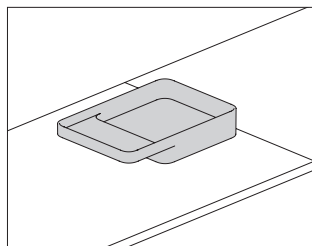
**CRT** concrete [A] +\$0

**NYX** onyx [A] +\$0

Thrive™ Work Tools

Tray

YT830.

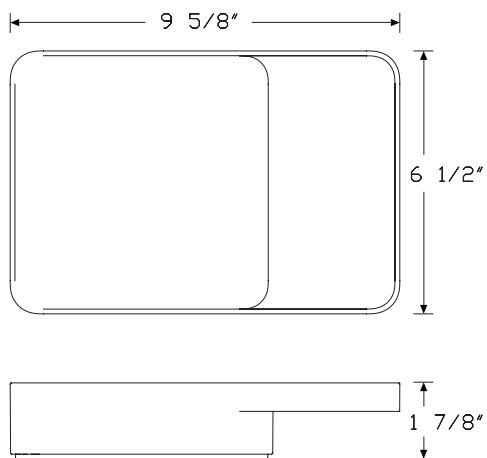


**Product Information**

**Description**

This stackable tray is designed to hold small office tools and personal items, and has an integrated ledge for storage of other objects such as business cards or a pad of sticky notes. Tray is crafted of high gloss ABS plastic with a silicone base.

**Dimensions**



**Specification Information**

**Step 1.**

**YT830.**  A

**Step 2. Size**

**S** small  A

**L** large  A

**Prices for Steps 1-2.**

<b>YT830. S</b>	\$53
<b>L</b>	\$67

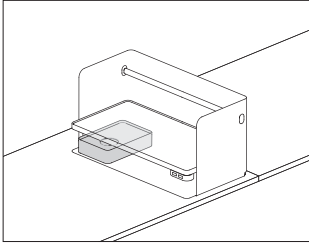
**Step 3. Finish**

**CRT** concrete  A +\$0

**NYX** onyx  A +\$0

Box

YT840.

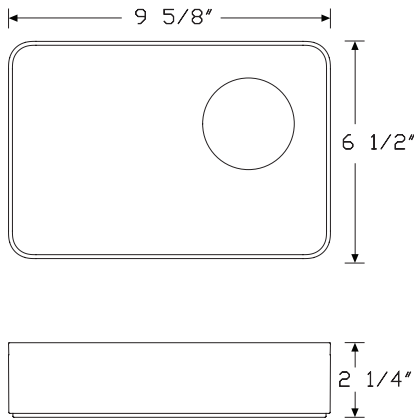


**Product Information**

**Description**

This stackable box is designed to hold office tools and personal items, and has a cup for convenient storage of other objects such as paper clips, tacks, and loose change. It is crafted of high gloss ABS plastic with a silicone base.

**Dimensions**



**Specification Information**

**Step 1.**

**YT840.**  A

**Step 2. Size**

**S** small  A

**L** large  A

**Prices for Steps 1-2.**

<b>YT840. S</b>	\$114
<b>L</b>	\$138

**Step 3. Finish**

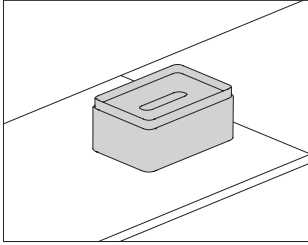
**CRT** concrete  A +\$0

**NYX** onyx  A +\$0

Thrive™ Work Tools

# Tissue Box

YT850.

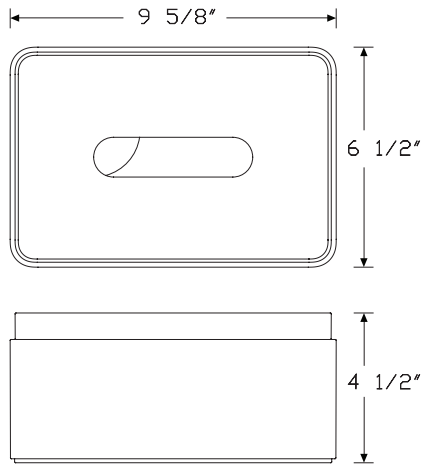


### Product Information

#### Description

The tissue box is crafted of high gloss ABS plastic with a silicone base.

#### Dimensions



### Specification Information

#### Step 1.

**YT850.** [A] \$131

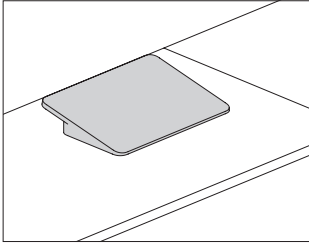
#### Step 2. Finish

**CRT** concrete [A] +\$0

**NYX** onyx [A] +\$0

# Media Stand

YT860.

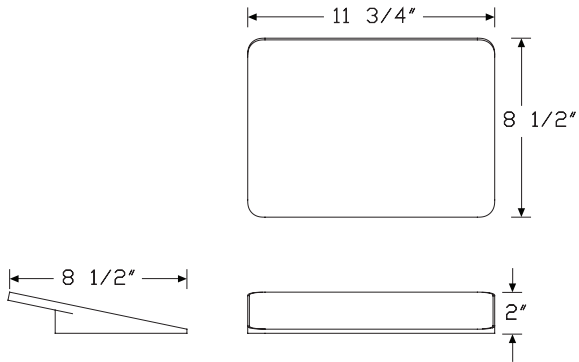


### Product Information

#### Description

The media stand supports tablets, notebooks, and small laptops. It is crafted of high gloss ABS plastic with a silicone top.

#### Dimensions



Thrive™ Work Tools

### Specification Information

#### Step 1.

**YT860.** [A] \$142

#### Step 2. Finish

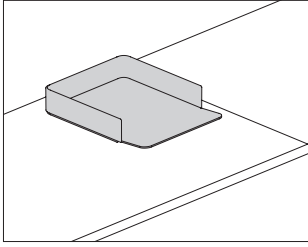
**CRT** concrete [A] +\$0

**NYX** onyx [A] +\$0



# Paper Tray

YT870.

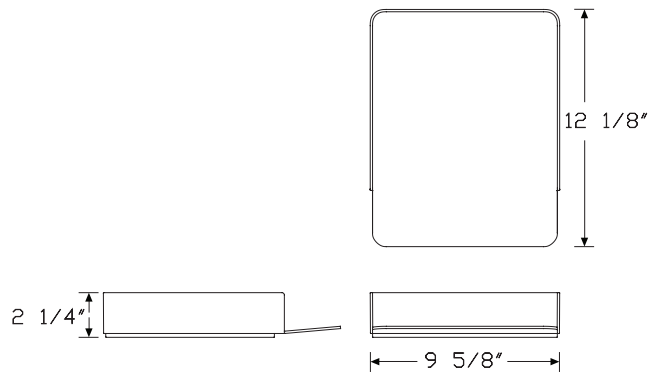


### Product Information

#### Description

This stackable paper tray is crafted of high gloss ABS plastic.

#### Dimensions



### Specification Information

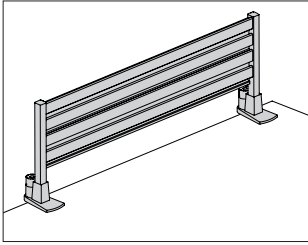
#### Step 1.

**YT870.**  A \$65

#### Step 2. Finish

**CRT** concrete  A +\$0

**NYX** onyx  A +\$0



**Product Information**

**Description**

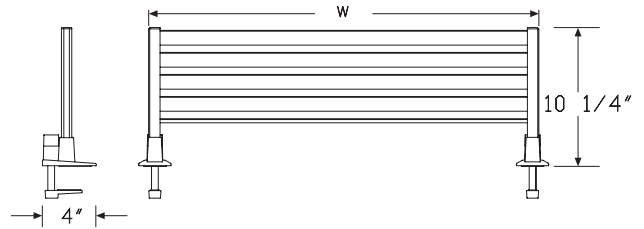
This all metal rail clamps to the edge of a freestanding surface. It has 4 forward facing slots for mounting. Accessories typically used on Ethospace® tiles and Action Office® rail tiles can be mounted on this surface attached tool rail.

**Notes**

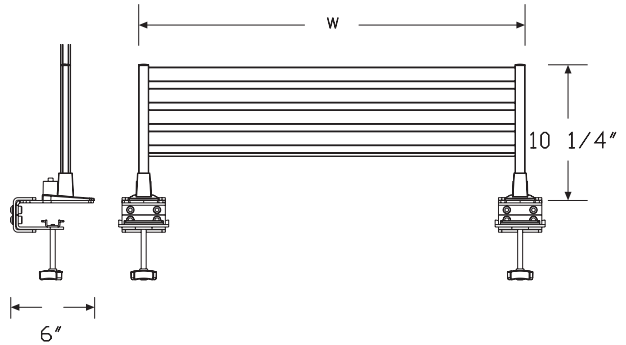
- Order accessories such as paper trays and shelves separately.
- Surface clamp adjusts to fit surfaces 1/2" to 1 5/8" thick.
- Gap on back side of surface will be 1" to allow for clamping bracket attachment.
- When using Canvas Metal Desk surfaces (FKS10., FKS21., FKS22., FKS31., FKS32., FKS34.) with modesty panel (FK700.) and/or hutch back panel (FK800.), specify Canvas metal desk mount (09) option.
- There are 4 horizontal slots for hanging accessories on the 8" height unit. 8" height refers to tile height; overall height from top of surface is approximately 10".
- Usable hanging space approximately 3" less than overall width.
- Not recommended for use with rail mounted monitor arms.

Thrive™ Work Tools

**Dimensions**



Surface-attached tool rail



Canvas Metal Desk mounting bracket

## Surface-Attached Tool Rail *continued*

### Specification Information

Step 1.

**Y7100.**

Step 2. Width

**24** 24" wide

**30** 30" wide

**36** 36" wide

Step 3. Height/Attachment

**08** 8" high with standard clamp

**09** 8" high with canvas metal desk mount

Prices for Steps 1-3.

	<b>08</b>	<b>09</b>
<b>Y7100. 24</b>	\$455	645
<b>30</b>	\$498	713
<b>36</b>	\$542	777

Step 4. Finish

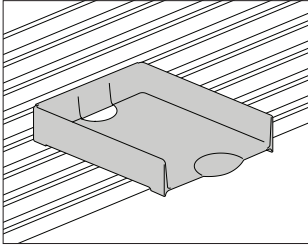
**91** white +\$0

**G2** graphite satin +\$0

**MS** metallic silver +\$0

Paper Tray

Y7216.

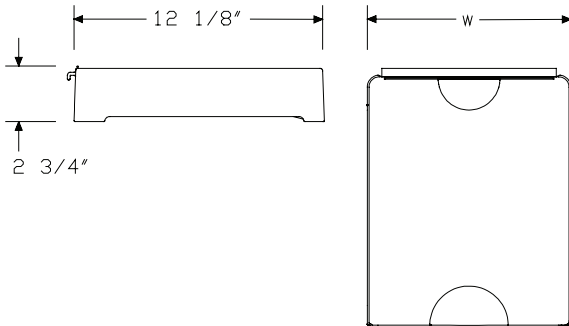


**Product Information**

Description

This plastic tray hangs from a rail or stands alone to horizontally store letter- or legal-size papers. It has 4 integrated feet on the bottom of the tray for standing on a surface or for stacking vertically.

Dimensions



Thrive™ Work Tools

**Specification Information**

Step 1.

**Y7216.**

Step 2. Width

- 10** 10" wide
- 16** 16" wide

Prices for Steps 1-2.

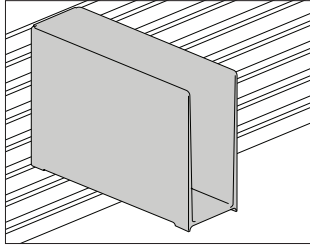
<b>Y7216. 10</b>	\$48
<b>16</b>	\$63

Step 3. Surface Finish

<b>91</b>	white	+\$0
<b>BU</b>	black umber	+\$0
<b>CL</b>	cool grey neutral	+\$0
<b>G1</b>	graphite	+\$0
<b>HF</b>	inner tone light	+\$0
<b>LT</b>	light tone	+\$0
<b>LU</b>	soft white	+\$0
<b>MT</b>	medium tone	+\$0
<b>WN</b>	warm grey neutral	+\$0

# Vertical Tray

Y7217.

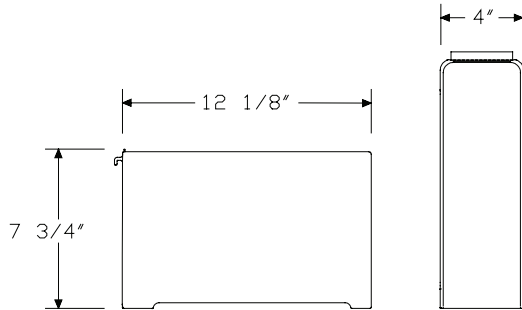


### Product Information

#### Description

This plastic tray hangs from a rail or stands alone to vertically store papers, binders, and folders.

#### Dimensions



### Specification Information

#### Step 1.

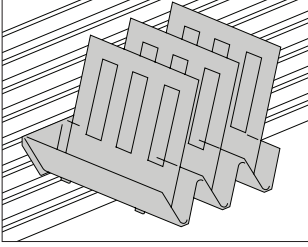
**Y7217.4** \$57

#### Step 2. Surface Finish

<b>91</b>	white	+\$0
<b>BU</b>	black umber	+\$0
<b>CL</b>	cool grey neutral	+\$0
<b>G1</b>	graphite	+\$0
<b>HF</b>	inner tone light	+\$0
<b>LT</b>	light tone	+\$0
<b>LU</b>	soft white	+\$0
<b>MT</b>	medium tone	+\$0
<b>WN</b>	warm grey neutral	+\$0

# Diagonal Tray

Y7218.

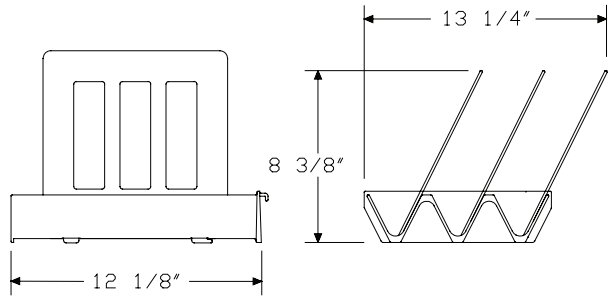


### Product Information

**Description**  
 This plastic tray hangs from a rail or stands alone to store papers and folders. It has 3 dividers that move to support left- or right-handed activities.

### Dimensions

Thrive™ Work Tools

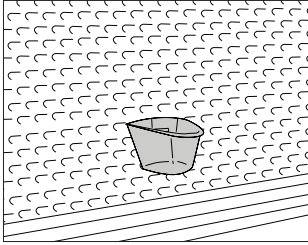


### Specification Information

<b>Step 1.</b>		
<b>Y7218.</b>		\$79
<b>Step 2. Surface Finish</b>		
<b>91</b>	white	+\$0
<b>BU</b>	black umber	+\$0
<b>CL</b>	cool grey neutral	+\$0
<b>G1</b>	graphite	+\$0
<b>HF</b>	inner tone light	+\$0
<b>LT</b>	light tone	+\$0
<b>LU</b>	soft white	+\$0
<b>MT</b>	medium tone	+\$0
<b>WN</b>	warm grey neutral	+\$0

# Pencil Holder

Y7233.

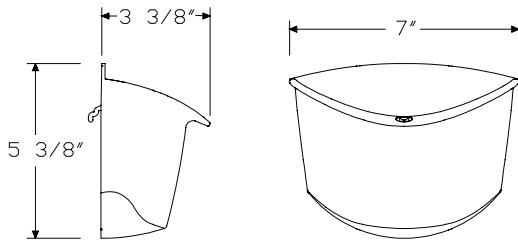


## Product Information

### Description

This bin hangs from a work tool support product. It holds pens, pencils, markers, a cell phone, or other small items. Finish is frosted.

### Dimensions



## Specification Information

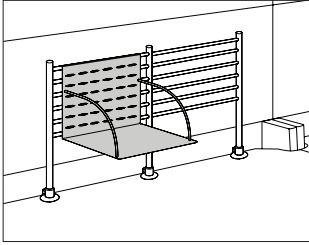
### Step 1.

Y7233.

\$40

Binder Shelf

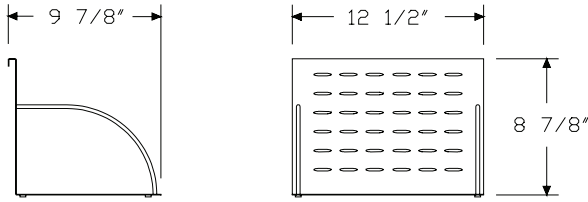
Y7312.



**Product Information**

**Description**  
 This 12"-wide shelf hangs from a rail to vertically store binders and books.

**Dimensions**



**Specification Information**

**Step 1.**  
**Y7312.12** \$241

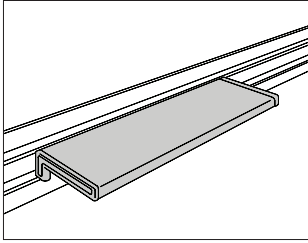
**Step 2. Surface Finish**

<b>8Q</b>	folkstone grey	+\$0
<b>BU</b>	black umber	+\$0
<b>CN</b>	metallic champagne	+\$0
<b>EH</b>	metallic bronze	+\$0
<b>G2</b>	graphite satin	+\$0
<b>HF</b>	inner tone light	+\$0
<b>LU</b>	soft white	+\$0
<b>MS</b>	metallic silver	+\$0
<b>MT</b>	medium tone	+\$0
<b>SG</b>	slate grey	+\$0
<b>WL</b>	sandstone	+\$0



# Mini-Shelf

Y7310.



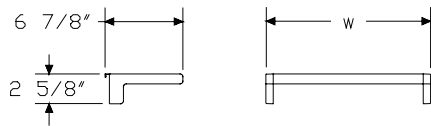
## Product Information

### Description

This shelf hangs from a rail to hold or display small items.

Metallic silver (MS) shelf has cool grey neutral (CL) ends; metallic champagne (CN) and metallic bronze (EH) shelves have warm grey neutral (WN) ends.

### Dimensions



## Specification Information

### Step 1.

**Y7310.**

### Step 2. Width

<b>15</b>	15" wide
<b>24</b>	24" wide
<b>30</b>	30" wide

### Prices for Steps 1-2.

<b>Y7310. 15</b>	\$81
<b>24</b>	\$84
<b>30</b>	\$99

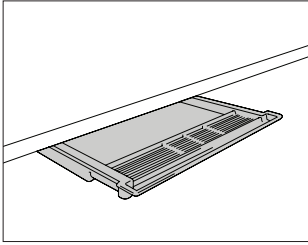
### Step 3. Surface Finish

<b>8Q</b>	folkstone grey	+\$0
<b>BU</b>	black umber	+\$0
<b>CL</b>	cool grey neutral	+\$0
<b>CN</b>	metallic champagne	+\$0
<b>EH</b>	metallic bronze	+\$0
<b>HF</b>	inner tone light	+\$0
<b>LU</b>	soft white	+\$0
<b>MS</b>	metallic silver	+\$0
<b>MT</b>	medium tone	+\$0
<b>SG</b>	slate grey	+\$0
<b>WL</b>	sandstone	+\$0
<b>WN</b>	warm grey neutral	+\$0

Thrive™ Work Tools

# Pencil Drawer

Y5010.

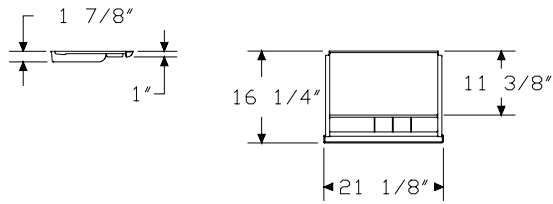


### Product Information

#### Description

This plastic drawer mounts under a hanging or freestanding work surface to store pencils and other small items. Mounting hardware is included.

#### Dimensions



### Specification Information

#### Step 1.

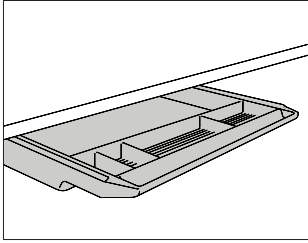
**Y5010.** \$73

#### Step 2. Surface Finish

<b>8Q</b>	folkstone grey	+\$0
<b>BU</b>	black umber	+\$0
<b>HF</b>	inner tone light	+\$0
<b>LT</b>	light tone	+\$0
<b>LU</b>	soft white	+\$0
<b>MT</b>	medium tone	+\$0
<b>SG</b>	slate grey	+\$0
<b>WL</b>	sandstone	+\$0
<b>WN</b>	warm grey neutral	+\$0

# Metal Pencil Drawer

Y5012.

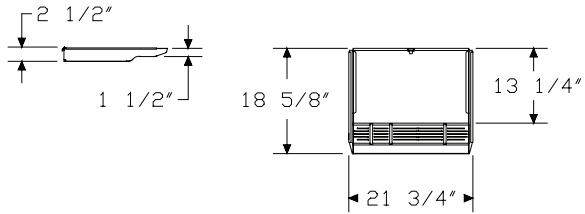


### Product Information

#### Description

This metal drawer mounts under a hanging or freestanding work surface to store pencils and other small items. Mounting hardware is included.

#### Dimensions



### Specification Information

#### Step 1.

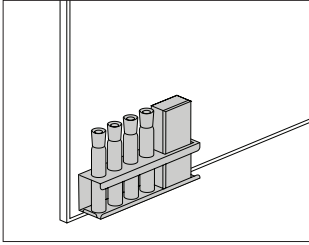
**Y5012.** \$307

#### Step 2. Surface Finish

<b>8Q</b>	folkstone grey	+\$0
<b>98</b>	studio white	+\$0
<b>BU</b>	black umber	+\$0
<b>HF</b>	inner tone light	+\$0
<b>LT</b>	light tone	+\$0
<b>LU</b>	soft white	+\$0
<b>MT</b>	medium tone	+\$0
<b>SG</b>	slate grey	+\$0
<b>WL</b>	sandstone	+\$0
<b>WN</b>	warm grey neutral	+\$0

Marker/Eraser Holder

Y7231.



**Product Information**

**Description**

This metal holder includes 4 erasable markers and an eraser. It attaches to a vertical surface with hook-and-loop fastener, 2-sided tape, or magnetic tape (also included).

**Dimensions**

**Specification Information**

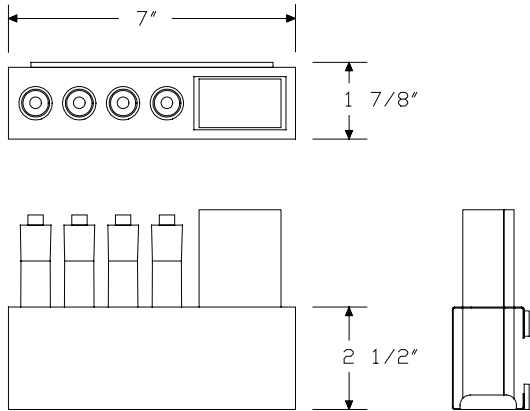
**Step 1.**

**Y7231.** \$185

**Step 2. Finish**

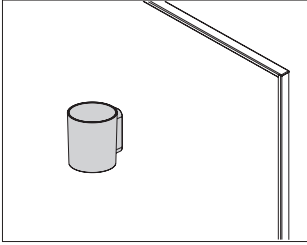
<b>91</b>	white	+\$0
<b>BK</b>	black	+\$0
<b>MS</b>	metallic silver	+\$0

Thrive™ Work Tools



# OE1 Marker Cup

Y7235.

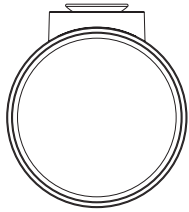


### Product Information

#### Description

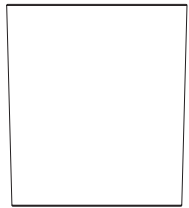
This marker cup comes with 1 cup-style holder, 4 dry erase markers (1 each of black, red, blue, and green), and 1 microfiber towel. The cup attaches to a vertical, hard surface with suction cups or can sit flat on a worksurface.

#### Dimensions

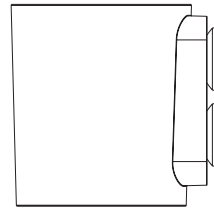


3 3/8"

3 7/8"



3 7/8"



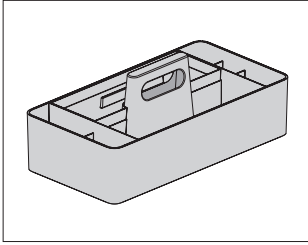
### Specification Information

#### Step 1.

**Y7235.** \$121

#### Step 2. Finish

<b>8Q</b>	folkstone grey	+\$0
<b>BK</b>	black	+\$0
<b>DB3</b>	glacier	+\$5
<b>DN2</b>	nightfall	+\$5
<b>DR1</b>	canyon	+\$5
<b>OLF</b>	olive	+\$5

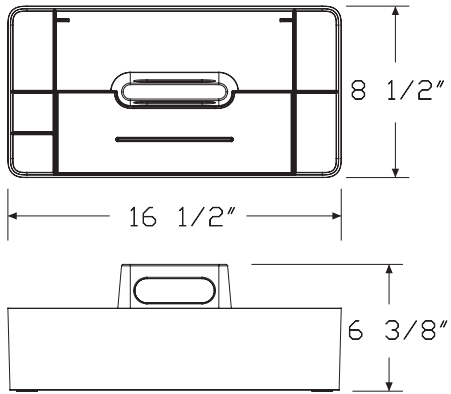


**Product Information**

**Description**  
 This molded plastic workbox comes in 1 size and fits onto an OE1 Storage Trolley.

**Notes**  
 Order OE1 storage trolley (HZ800., HZ82x., HZ83x.) separately.

**Dimensions**



Thrive™ Work Tools

**Specification Information**

**Step 1.**  
**Y7236.**

**Step 2. Width**  
**17** 17" wide

**Step 3. Depth**  
**09** 9" deep

**Prices for Steps 1-3.**

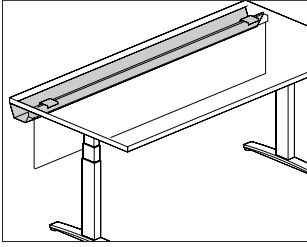
	<b>09</b>
<b>Y7236. 17</b>	<b>\$238</b>

**Step 4. Workbox Finish**

<b>8Q</b>	folkstone grey	+\$0
<b>DB3</b>	glacier	+\$0
<b>DN3</b>	nightfall lt	+\$0

# Cable Trough

Y1200.



## Product Information

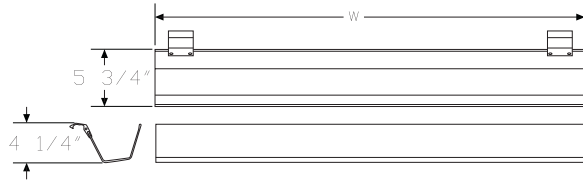
### Description

This trough attaches to a table, desk, peninsula, or work surface to hold and conceal cords and cables. It pivots down to allow easy access when laying cords inside, and can be specified with an optional modesty panel. The modesty panel has a fabric surface with aluminum top rail. Attachment hardware is included.

### Notes

Specify trough to be equal to or less than the surface width.

## Dimensions



## Specification Information

### Step 1.

**Y1200.**

### Step 2. Width

<b>24</b>	24" wide
<b>30</b>	30" wide
<b>36</b>	36" wide
<b>42</b>	42" wide
<b>48</b>	48" wide

### Step 3. Modesty Panel Option

<b>N</b>	no modesty panel
<b>M</b>	modesty panel

### Prices for Steps 1-3.

	<b>N</b>	<b>M</b>
<b>Y1200. 24</b>	\$380	485
<b>30</b>	\$415	545
<b>36</b>	\$455	595
<b>42</b>	\$499	650
<b>48</b>	\$536	706

### Step 4. Cable Trough Finish

<b>AN</b>	clear anodized aluminum	+\$0
-----------	-------------------------	------

### Step 5. Modesty Panel Fabric

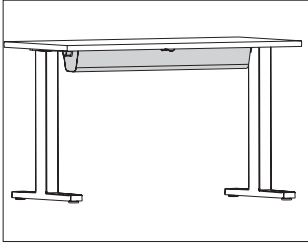
For modesty panel (M)

Price Category 4	+\$28
------------------	-------

Thrive™ Work Tools

# Hinged Cable Trough

Y1300.



## Product Information

### Description

This sheet metal trough is a stand-alone cable management tray that mounts to the underside of a work surface to hold and conceal cords and cables. It can be used with a Logic Mini unit for cord storage or used alone with cords routed through the ends of the trough. Trough holds cords in place when open.

### Notes

Power strip (Y1500.) is intended to be housed inside the trough for additional power access.

Hinged cable trough works best with a Motia® Vista™ height adjustable table (DV6GT.). Can be used on any other work surface that has the clearance for the overall dimensions listed below.

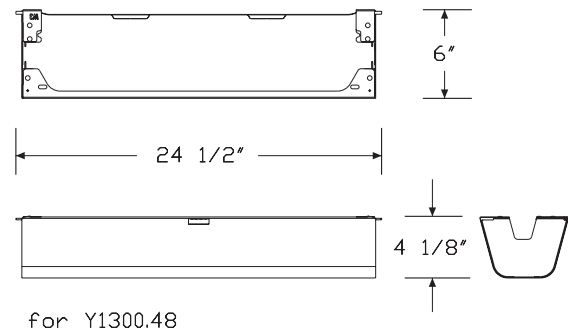
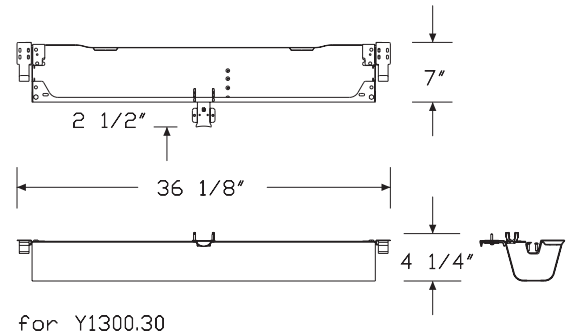
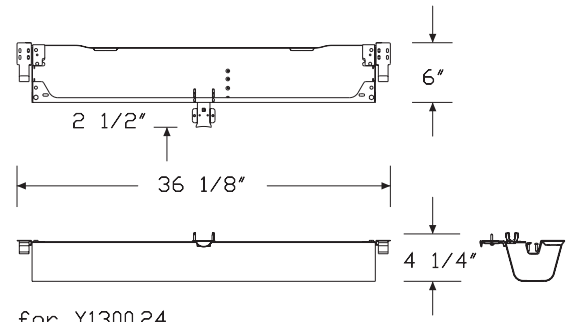
When specifying a 24"D×54"W table with legs inbound for under surface storage on both ends (2) option, the hinged cable trough option is not available. It is recommended to use the (Y1200.48N) cable trough, ordered separately.

Order the following products separately:

- Power strip (Y1500.)
- Logic Mini (Y1414., Y1412.)

Thrive™ Work Tools

## Dimensions





# Hinged Cable Trough *continued*

## Specification Information

### Step 1.

**Y1300.**  A

### Step 2. Work Surface Depth

**24** for use with 24" deep work surface  A

**30** for use with 30" deep work surface  A

**48** for use with a 24" or 30" deep x 48" wide Motia C-Leg Table  A

### Prices for Steps 1-2.

<b>Y1300. 24</b>	\$253
<b>30</b>	\$274
<b>48</b>	\$237

### Step 3. Finish

#### Smooth Paint

<b>8Q</b> folkstone grey <input type="checkbox"/> A	+\$0
<b>91</b> white <input type="checkbox"/> A	+\$0
<b>98</b> studio white <input type="checkbox"/> A	+\$0
<b>CL</b> cool grey neutral <input type="checkbox"/> A	+\$0
<b>WL</b> sandstone <input type="checkbox"/> A	+\$0
<b>WN</b> warm grey neutral <input type="checkbox"/> A	+\$0

#### Sand Texture Paint

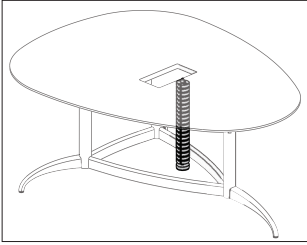
<b>BK</b> black <input type="checkbox"/> A	+\$0
<b>G1</b> graphite <input type="checkbox"/> A	+\$0

#### Metallic Paint

<b>SNB</b> satin bronze <input type="checkbox"/> A	+\$0
<b>CN</b> metallic champagne <input type="checkbox"/> A	+\$0
<b>EH</b> metallic bronze <input type="checkbox"/> A	+\$0
<b>MS</b> metallic silver <input type="checkbox"/> A	+\$0

Umbilical Riser, Wire Management Fixed Height

Y1430.

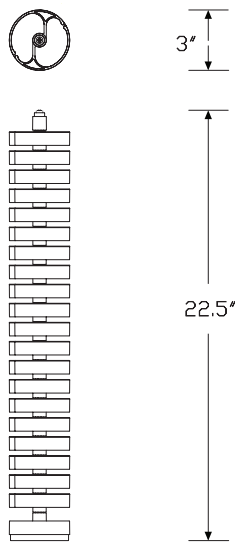


**Product Information**

**Description**  
This riser routes power and data cords from the floor to the underside of a surface.

**Notes**  
For use with 29" high tables, specify seated height (S).  
For use with 39" high tables, specify collaboration height (C).  
For data capacity, see cable management chart on Kiosk.

**Dimensions**



Thrive™ Work Tools

**Specification Information**

Step 1.

**Y1430.**  A

Step 2. Type

**WF** fixed height  A

Step 3. Table Height

**S** seated height  A

**C** collaboration height  A

Step 4. Attachment

**G** generic attachment  A

Prices for Steps 1-4.

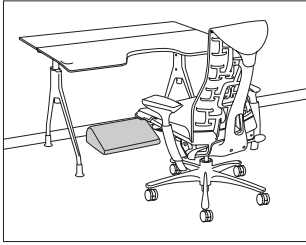
	<b>G</b>
<b>Y1430. WF S</b>	\$192
<b>C</b>	\$277

Step 5. Finish

<b>613</b> silver <input type="checkbox"/> A	+\$0
<b>91</b> white <input type="checkbox"/> A	+\$0
<b>G1</b> graphite <input type="checkbox"/> A	+\$0
<b>MS</b> metallic silver <input type="checkbox"/> A	+\$0

# Foot Pillow

Y7760.



### Product Information

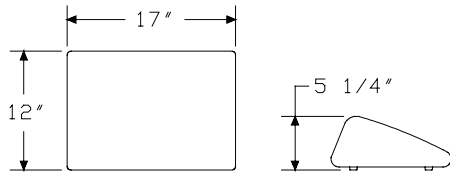
#### Description

This pillow elevates and supports feet. It can be used with any work chair.

#### Notes

Customer's Own Material (COM) requires 1 yard. Customer's Own Leather (COL) requires 7 square feet. See Order Information in Appendices.

#### Dimensions



### Specification Information

#### Step 1.

**Y7760.**

\$400

#### Step 2. Fabric

See application chart and textiles list for fabric usage and numbers.

First 2 digits of number indicate fabric line; remaining digit(s) indicate fabric color.

Price Category 1 <input type="checkbox"/> A	+\$0
Price Category 2	+\$17
Price Category 3	+\$17
Price Category 4	+\$17
Price Category 7 <input type="checkbox"/> A	+\$22
Price Category 9	+\$113



# Index by Product Name

Thrive™ Portfolio	
	page(s)
Accessory Shelf	248
Adapter Plate - 100 mm to 200 mm	75
Ambit™ Cork Tray	255
Ambit™ Document Holder	256
Ambit™ Height Adjustable Table Screen, Metal	196
Ambit™ Height Adjustable Table Screen, PET	192
Ambit™ Height Adjustable Table Screen, Thin Profile Fabric	185
AV/VC One Base	94
AV/VC One Column Kit	93
AV/VC One Front Box Kit	96
AV/VC One Full Front Panel	97
AV/VC One Screen Mount Kit	95
AV/VC One Shelf	98
AV/VC One Technology Support Kit	92
Bag Hook	245
Beam-Mount Bracket, Wishbone Post	67
Binder Shelf	272
Box	262
Cable Trough	279
Cast Grommet	61
Connect™-Block Connector, 2-Circuit	149
Connect™-Block Connector, 4-Circuit	161
Connect™-Conduit Clamp	165
Connect™-Dual Junction Block Power Kit, 4-Circuit	153
Connect™-Dual Receptacle Power Kit, 2-Circuit	144
Connect™-Duplex Receptacle, 2-Circuit, 15 Amp	143
Connect™-Duplex Receptacle, 4-Circuit	159
Connect™-Ganging Bracket Kit	164
Connect™-Jumper, 2-Circuit	146
Connect™-Junction Block, 4-Circuit	157
Connect™-Junction Block Brackets, 4-Circuit	160
Connect™-Junction Block to Junction Block Jumper, 4-Circuit	155
Connect™ - Modular Power Entry, 2 Circuit, Architectural Wall	
Receptacle Box	142
Connect™-Modular Power Entry, 4 Circuit, Architectural Wall Junction	
Box	152
Connect™-Power Entry, 2-Circuit	141
Connect™-Power Entry, 4-Circuit	150
Connect™-Power Entry, 4-Circuit, New York City	151
Connect™-Power Entry with Plug End, 20 Amp	140
Connect™-Receptacle Brackets, 2-Circuit	148
Connect™-S100	126
Connect™-S200	127
Connect™-S300	128
Connect™ - S310 Electrical Unit with Connect Modular	
Connection	163

Connect™-S400	130
Connect™-S500	131
Connect™ - S720 - Connect Single Circuit Power Unit	134
Connect™ - S730 - Connect Single Circuit Power Unit	135
Connect™ - S740 - Connect Single Circuit Power Unit	136
Connect™ - S750 - Connect Single Circuit Power Unit	138
Connect™ Single Circuit Electrical By-Pass Jumper	133
Connect™ Single Circuit Electrical Power Entry	132
Connect™-Transition Jumper, 2- to 4-Circuit	162
Controlled Receptacle Decal (12 per sheet)	111
Cord Cleat	233
Diagonal Tray	270
Dual Flo® Surface Clamp Mount	60
Enhanced Back-To-Back Post Bracket	82
Fabric Modesty Panel	202
Fine Height Adjuster	74
Flo® Dual-Screen Monitor Arm - Clamp Mount	11
Flo® Layout Studio Attachment Pin	56
Flo® Low Profile Clamp	42
Flo® Modular Bracket - Bracket Only	77
Flo® Modular Monitor Arm Assembly	12
Flo® Plus Monitor Arm Assembly	16
Flo® Single Screen Monitor Arm - Arm Only	29
Flo® Single Screen Monitor Arm Bulk Pack	6
Flo® Single Screen Monitor Arm Bulk Pack - Arms Only	30
Flo® Single-Screen Monitor Arm Support	5
Flo® Through Mount with Rotation Stop	54
Flo® Two-Piece Clamp Mount	40
Flo® X Dual Mount Bar - Bar only	78
Flo® X Monitor Arm - Arm Only	32
Flo® X Monitor Arm - Assembly	14
Flo® X Multi Mount Handle	80
Flo® X Multi Mount Monitor Arm - Arm Only	33
Flo® X Triple Bar Extension Kit	79
Flo® X Two-Piece Clamp Mount - Clamp only	59
Flute™ Personal Light	216
Foot Pillow	283
Formwork Liner	242
Freestanding Shelf	228
Freestanding Shelf Liner	240
Friction Plate	76
Glass White Board	198
Hinged Cable Trough	280
JAW™ Adjustable CPU Holder	88
JAW™ Adjustable CPU Holder Assembly	86
Laminate Screen, Surface Attached	175
Laptop Mount	70

# Index by Product Name *continued*

Index: Product Name

Large Organizer	221	Ode Freestanding Floor Lamp	218
Large Organizer Kit #1	252	Ode Surface-Integrated Lamp	219
Lima Expansion Monitor Arm - Arm Only	38	OE1 Marker Cup	277
Lima Laptop Mount	39	OE1 Metal Boundary Screen	211
Lima Monitor Arm Assembly	18	OE1 Movable Screen, Flat Edge	207
Logic C1000 Universal Clamp Mount Distributor	107	OE1 Movable Screen, Pari	203
Logic G1000 Grommet Mounted Electrical Distributor	109	OE1 Personal Hoodie, Single Pack	212
Logic G1200 Grommet Pass Thru	123	OE1 Personal Hoodie, Six Pack	213
Logic HD Cable Manager	124	OE1 Workbox	278
Logic Micro Tower	125	Ollin® Dual Bar Handle - Handle Only	81
Logic Mini	103	Ollin Dual Bar	8
Logic Mini Grommet	122	Ollin/Flo® Low Profile Clamp - Extended Height	68
Logic Mini - Vine	105	Ollin/Flo® Two-Piece Clamp Mount - Extended Height	41
Logic Reach™ Canvas Channel System Start	117	Ollin Laptop and Tablet Mount	71
Logic Reach™ Canvas Dock System Start	116	Ollin Laptop and Tablet Mount Assembly	9
Logic Reach™ Canvas Vista System Start	118	Ollin Laptop and Tablet Mount Weight Plate	72
Logic Reach™ Canvas Wall System Start	114	Ollin Single Screen Monitor Arm - Arm Only	31
Logic Reach™ Electrical Hub	121	Ollin Single-Screen Monitor Arm Support	7
Logic Reach™ Floor Start	113	Ondo Clamp Cover	49
Logic Reach™ Overlay System Start	119	Ondo Connectivity Module	43
Logic Reach™ Under Carpet Track	120	Ondo Connectivity Module - Worksurface Mount Assembly	45
Logic Reach™ Wall Start	112	Ondo Laptop Cable	51
LOOP™ Adjustable CPU Holder	87	Ondo Module	47
LOOP™ Adjustable CPU Holder Assembly	85	Ondo Post Clamp Spacer	52
LOOP™ Micro	69	Ondo Worksurface Mount - Mount Only	53
Low-Profile Clamp	66	Organizer Liner	237
Magnetic Document Clip	229	Oripura Laptop Stand	84
Magnetic Marker Board	235	Paper Tray	265, 268
Marker/Eraser Holder	276	Pari Screen, Height Adjustable Tables	167
Media Stand	264	Pencil Drawer	274
Metal Board, Screen Attached	178	Pencil Holder	271
Metal Marker Board, Fabric Screen Attached	180	Performance Rail Clamp	57
Metal Marker Board, Screen Attached	181	Personal Side Screen	170
Metal Pencil Drawer	275	Personal Side Screen, Rectangular	174
Metal Straight Screen, Surface Attached with Modesty	223	Power Plug Strip	166
Mini-Shelf	273	Rare Earth Magnets	199
Mobile Bag Catch	247	Rod Bookend	234
Mobile Bag Catch Base Liner	243	Round Pencil Cup	260
Mobile Bag Catch Shelf Liner	244	Shelf	224
Modesty Panel	200	Shelf Backdrop	226
Monitor Platform Shelf	227	Shelf Liner	238
Monitor Platform Shelf Liner	239	Short Bin	257
Monitor Platform Stand Kit #1	254	Slim Screen	222
Monto Sit Stand Riser	99	Slim Screen Liner	241
Name Tag	230	Small Organizer	220
Name Tag Clip	177	Small Organizer Kit #1	250
Ode Desk Lamp	217	Squared-Edge Corner Wedge	90

## Index by Product Name *continued*

Square Pencil Cup	259
Surface-Attached Screen, Flat Edge	171
Surface-Attached Tool Rail	266
Surface Clamp	236
Tall Bin	258
Through-Surface Mounting Bracket, 1 3/8"	63
Through-Surface Mounting Bracket, 3"	64
Tissue Box	263
Tone™ Personal Light	214
Tone™ Single-Arm Personal Light	215
Track Mount CPU Enclosure	102
Track Mount Small Cradle CPU Support	101
Tray	261
Umbilical Riser, Wire Management Fixed Height	282
Universal CPU Holder Slide & Rotate Kit	89
USB Power Module	232
Vertical Tray	269
Vista Modesty Screen - Double Sided, Height Adjustable Table	184
Vista Privacy + Modesty Screen - Double Sided, Height Adjustable Table	183
Wishbone® C-Post with Quick Release	36
Wishbone® Dual Bar Monitor Arm Assembly	23
Wishbone® Dual-Screen Monitor Arm Assembly	20
Wishbone® Monitor Arm	35
Wishbone® Plus Dual-Screen Monitor Arm Assembly	26
Wishbone® Plus Monitor Arm	37
Wishbone® Plus Quad-Screen Monitor Arm Assembly	27
Wishbone® Plus Single-Screen Monitor Arm Assembly	25
Wishbone® Post	73
Wishbone® Post High Load Top-Surface Mounting Clamp	65
Wishbone® Post Top-Mounting Surface Clamp	62
Wishbone® Quad-Screen Monitor Arm Assembly	21
Wishbone® Single-Screen Monitor Arm Assembly	19
Wishbone Dual Bar - Bar Only	83
Wishbone Post Performance Rail Clamp	58





# Index by Product Number

G9999. Controlled Receptacle Decal (12 per sheet)	page(s) 111	Y1351. Connect™-Power Entry, 4-Circuit	150
IH353. Ambit™ Cork Tray	255	Y1352. Connect™-Power Entry, 4-Circuit, New York City	151
Y1113. Modesty Panel	200	Y1353. Connect™-Junction Block to Junction Block Jumper, 4-Circuit	155
Y1114. Fabric Modesty Panel	202	Y1354. Connect™-Block Connector, 4-Circuit	161
Y1116. Pari Screen, Height Adjustable Tables	167	Y1355. Connect™-Duplex Receptacle, 4-Circuit	159
Y1117. Personal Side Screen	170	Y1356. Connect™-Transition Jumper, 2- to 4-Circuit	162
Y1118. Surface-Attached Screen, Flat Edge	171	Y1357. Connect™-Junction Block Brackets, 4-Circuit	160
Y1119. Personal Side Screen, Rectangular	174	Y1358. Connect™-Junction Block, 4-Circuit	157
Y1120. Laminate Screen, Surface Attached	175	Y1359. Connect™-Modular Power Entry, 4 Circuit, Architectural Wall Junction Box	152
Y1121. Name Tag Clip	177	Y1372. Connect™ - S720 - Connect Single Circuit Power Unit	134
Y1122. Metal Board, Screen Attached	178	Y1373. Connect™ - S730 - Connect Single Circuit Power Unit	135
Y1123. Metal Marker Board, Fabric Screen Attached	180	Y1374. Connect™ - S740 - Connect Single Circuit Power Unit	136
Y1124. Metal Marker Board, Screen Attached	181	Y1375. Connect™ - S750 - Connect Single Circuit Power Unit	138
Y1130. Vista Privacy + Modesty Screen - Double Sided, Height Adjustable Table	183	Y1377. Connect™ Single Circuit Electrical Power Entry	132
Y1131. Vista Modesty Screen - Double Sided, Height Adjustable Table	184	Y1378. Connect™ Single Circuit Electrical By-Pass Jumper	133
Y1141. OE1 Movable Screen, Pari	203	Y1412. Logic Mini Grommet	122
Y1142. OE1 Movable Screen, Flat Edge	207	Y1414. Logic Mini	103
Y1143. OE1 Metal Boundary Screen	211	Y1415. Logic Mini - Vine	105
Y1148. OE1 Personal Hoodie, Single Pack	212	Y1420. Logic G1200 Grommet Pass Thru	123
Y1148. OE1 Personal Hoodie, Six Pack	213	Y1423. Logic C1000 Universal Clamp Mount Distributor	107
Y1150. Ambit™ Height Adjustable Table Screen, Thin Profile Fabric	185	Y1424. Logic HD Cable Manager	124
Y1155. Ambit™ Height Adjustable Table Screen, PET	192	Y1425. Logic G1000 Grommet Mounted Electrical Distributor	109
Y1160. Ambit™ Height Adjustable Table Screen, Metal	196	Y1430. Umbilical Riser, Wire Management Fixed Height	282
Y1200. Cable Trough	279	Y1450. Logic Reach™ Wall Start	112
Y1300. Hinged Cable Trough	280	Y1451. Logic Reach™ Floor Start	113
Y1321. Connect™-S100	126	Y1460. Logic Reach™ Canvas Wall System Start	114
Y1322. Connect™-S200	127	Y1461. Logic Reach™ Canvas Dock System Start	116
Y1323. Connect™-S300	128	Y1462. Logic Reach™ Canvas Channel System Start	117
Y1324. Connect™-S400	130	Y1464. Logic Reach™ Canvas Vista System Start	118
Y1325. Connect™-S500	131	Y1465. Logic Reach™ Overlay System Start	119
Y1329. Connect™ - S310 Electrical Unit with Connect Modular Connection	163	Y1470. Logic Reach™ Under Carpet Track	120
Y1338. Connect™-Ganging Bracket Kit	164	Y1480. Logic Reach™ Electrical Hub	121
Y1339. Connect™-Conduit Clamp	165	Y1490. Logic Micro Tower	125
Y1340. Connect™-Dual Receptacle Power Kit, 2-Circuit	144	Y1500. Power Plug Strip	166
Y1341. Connect™-Power Entry, 2-Circuit	141	Y2091. Squared-Edge Corner Wedge	90
Y1342. Connect™-Power Entry with Plug End, 20 Amp	140	Y5010. Pencil Drawer	274
Y1343. Connect™-Jumper, 2-Circuit	146	Y5012. Metal Pencil Drawer	275
Y1344. Connect™-Block Connector, 2-Circuit	149	Y6470. Flute™ Personal Light	216
Y1345. Connect™-Duplex Receptacle, 2-Circuit, 15 Amp	143	Y6480. Tone™ Personal Light	214
Y1347. Connect™-Receptacle Brackets, 2-Circuit	148	Y6481. Tone™ Single-Arm Personal Light	215
Y1349. Connect™ - Modular Power Entry, 2 Circuit, Architectural Wall Receptacle Box	142	Y6485. Ode Desk Lamp	217
Y1350. Connect™-Dual Junction Block Power Kit, 4-Circuit	153	Y6486. Ode Freestanding Floor Lamp	218
		Y6487. Ode Surface-Integrated Lamp	219
		Y7100. Surface-Attached Tool Rail	266
		Y7216. Paper Tray	268

Index by Product Number *continued*

Index: Product Number

Y7217. Vertical Tray	269	Y92090 Flo® Single Screen Monitor Arm - Arm Only	29
Y7218. Diagonal Tray	270	Y92092 Flo® Two-Piece Clamp Mount	40
Y7231. Marker/Eraser Holder	276	Y92098 Performance Rail Clamp	57
Y7232. Glass White Board	198	Y92099 Wishbone Post Performance Rail Clamp	58
Y7233. Pencil Holder	271	Y92100 Dual Flo® Surface Clamp Mount	60
Y7234. Rare Earth Magnets	199	Y92103 Flo® Modular Bracket - Bracket Only	77
Y7235. OE1 Marker Cup	277	Y92104 Wishbone Dual Bar - Bar Only	83
Y7236. OE1 Workbox	278	Y92105 Flo® Through Mount with Rotation Stop	54
Y7310. Mini-Shelf	273	Y92106 Flo® Low Profile Clamp	42
Y7312. Binder Shelf	272	Y92110 Ondo Connectivity Module	43
Y7760. Foot Pillow	283	Y92111 LOOP™ Micro	69
Y91011 Wishbone® Single-Screen Monitor Arm Assembly	19	Y92112 Ondo Connectivity Module - Worksurface Mount Assembly	45
Y91012 Wishbone® Dual-Screen Monitor Arm Assembly	20	Y92120 Flo® Single Screen Monitor Arm Bulk Pack - Arms Only	30
Y91015 Wishbone® Quad-Screen Monitor Arm Assembly	21	Y92200 Ondo Module	47
Y91016 Wishbone® Dual Bar Monitor Arm Assembly	23	Y92201 Ondo Clamp Cover	49
Y91021 Wishbone® Plus Single-Screen Monitor Arm Assembly	25	Y92202 Ondo Laptop Cable	51
Y91022 Wishbone® Plus Dual-Screen Monitor Arm Assembly	26	Y92203 Ondo Post Clamp Spacer	52
Y91025 Wishbone® Plus Quad-Screen Monitor Arm Assembly	27	Y92204 Ondo Worksurface Mount - Mount Only	53
Y91103 JAW™ Adjustable CPU Holder Assembly	86	Y93000 Monto Sit Stand Riser	99
Y91104 LOOP™ Adjustable CPU Holder Assembly	85	Y93001 Ollin/Flo® Two-Piece Clamp Mount - Extended Height	41
Y91171 Flo® Single-Screen Monitor Arm Support	5	Y93002 Ollin/Flo® Low Profile Clamp - Extended Height	68
Y91174 Flo® Plus Monitor Arm Assembly	16	Y94100 Track Mount Small Cradle CPU Support	101
Y91175 Flo® Dual-Screen Monitor Arm - Clamp Mount	11	Y94102 Track Mount CPU Enclosure	102
Y91177 Laptop Mount	70	Y95000 Ollin Single Screen Monitor Arm - Arm Only	31
Y91180 Flo® Modular Monitor Arm Assembly	12	Y95011 Ollin Laptop and Tablet Mount	71
Y91182 Flo® Single Screen Monitor Arm Bulk Pack	6	Y95012 Ollin Laptop and Tablet Mount Weight Plate	72
Y91195 Flo® X Monitor Arm - Assembly	14	Y95111 Ollin Single-Screen Monitor Arm Support	7
Y92000 Wishbone® Monitor Arm	35	Y95112 Ollin Laptop and Tablet Mount Assembly	9
Y92001 Wishbone® Post	73	Y95122 Ollin Dual Bar	8
Y92007 Wishbone® Plus Monitor Arm	37	Y95123 Ollin® Dual Bar Handle - Handle Only	81
Y92009 Enhanced Back-To-Back Post Bracket	82	Y96000 AV/VC One Column Kit	93
Y92024 Fine Height Adjuster	74	Y96001 AV/VC One Base	94
Y92026 Wishbone® C-Post with Quick Release	36	Y96002 AV/VC One Screen Mount Kit	95
Y92038 Universal CPU Holder Slide & Rotate Kit	89	Y96003 AV/VC One Front Box Kit	96
Y92040 JAW™ Adjustable CPU Holder	88	Y96004 AV/VC One Full Front Panel	97
Y92041 LOOP™ Adjustable CPU Holder	87	Y96005 AV/VC One Shelf	98
Y92050 Cast Grommet	61	Y96111 AV/VC One Technology Support Kit	92
Y92052 Wishbone® Post Top-Mounting Surface Clamp	62	Y97002 Lima Laptop Mount	39
Y92054 Through-Surface Mounting Bracket, 1 3/8"	63	Y97211 Lima Monitor Arm Assembly	18
Y92055 Through-Surface Mounting Bracket, 3"	64	Y97212 Lima Expansion Monitor Arm - Arm Only	38
Y92057 Beam-Mount Bracket, Wishbone Post	67	Y98000 Flo® X Monitor Arm - Arm Only	32
Y92071 Wishbone® Post High Load Top-Surface Mounting Clamp	65	Y98001 Flo® X Multi Mount Monitor Arm - Arm Only	33
Y92075 Oripura Laptop Stand	84	Y98002 Flo® X Dual Mount Bar - Bar only	78
Y92079 Low-Profile Clamp	66	Y98003 Flo® X Triple Bar Extension Kit	79
Y92082 Adapter Plate - 100 mm to 200 mm	75	Y98004 Flo® X Multi Mount Handle	80
Y92085 Friction Plate	76	Y98005 Flo® X Two-Piece Clamp Mount - Clamp only	59
Y92089 Flo® Layout Studio Attachment Pin	56		

## Index by Product Number *continued*



YT100. Small Organizer	220
YT150. Large Organizer	221
YT200. Slim Screen	222
YT250. Metal Straight Screen, Surface Attached with Modesty	223
YT300. Shelf	224
YT310. Shelf Backdrop	226
YT320. Monitor Platform Shelf	227
YT330. Freestanding Shelf	228
YT400. Magnetic Document Clip	229
YT410. Name Tag	230
YT420. USB Power Module	232
YT430. Cord Cleat	233
YT440. Rod Bookend	234
YT450. Magnetic Marker Board	235
YT460. Surface Clamp	236
YT500. Organizer Liner	237
YT510. Shelf Liner	238
YT520. Monitor Platform Shelf Liner	239
YT530. Freestanding Shelf Liner	240
YT540. Slim Screen Liner	241
YT550. Formwork Liner	242
YT560. Mobile Bag Catch Base Liner	243
YT565. Mobile Bag Catch Shelf Liner	244
YT700. Bag Hook	245
YT710. Mobile Bag Catch	247
YT715. Accessory Shelf	248
YT716. Ambit™ Document Holder	256
YT800. Short Bin	257
YT810. Tall Bin	258
YT820. Square Pencil Cup	259
YT825. Round Pencil Cup	260
YT830. Tray	261
YT840. Box	262
YT850. Tissue Box	263
YT860. Media Stand	264
YT870. Paper Tray	265
YT900. Small Organizer Kit #1	250
YT910. Large Organizer Kit #1	252
YT920. Monitor Platform Stand Kit #1	254



# 20-Day or Less/Assigned Lead-Time Order Information

## 20-Day or Less and Assigned Lead-Time Programs

20-day or less and assigned lead-time products are designed for established Herman Miller dealers with pre-approved credit.

Products are distributed from multiple manufacturing facilities across the United States. All products and options not designated by an Assigned Lead-Time icon  will ship in 20 business days or less after being acknowledged by Herman Miller. Products and options designated by an  are on the assigned lead-time program and will ship in 20 days, less than 20 days, or more than 20 days from order acknowledgement.

## Ordering Procedure

Please place orders through Order Manager. If this is not available to you, place orders through mail or fax. Verbal purchase orders will not be accepted.

Order Entry fax number for Meridian®

Filing and Storage: (616) 846 9236.

Order Entry fax number for all other products:

(616) 654 3085.

For more information, contact your Customer Care representative at:  
(866) 854 3048 ext 3400.

## Shipments and Delivery

Per Herman Miller Terms and Conditions.

## Changes and Cancellation

Per Herman Miller Terms and Conditions.



# Customer's Own Material Order Information — Workspaces

## Customer's Own Material

### Program Overview

The Customer's Own Material (COM) program gives you the option of using textiles other than those listed. Herman Miller will test textiles for application to Herman Miller products and will process orders for those with approved COM textiles only. COM textiles are on assigned lead times.

Omni lists an overview of fabrics that have been tested and indicates whether or not they were approved for application to Herman Miller products.

Specific information on the terms and conditions, testing, approval, and ordering process for COM is listed below. Questions about the COM program and requests for assistance may be directed to your COM representative at:

(616) 654 3400

(866) 854 3048 ext 6543400

### Customer's Own Material Warranty

Herman Miller does not warrant COM textiles. COM textiles are tested for application only; they are not tested for performance. The Herman Miller warranty does apply to the underlying products.

Suppliers of COM textiles are responsible for color consistency within commercial tolerances, UV stability, and resistance to soiling and perspiration.

### Customer's Own Material Pricing

COM is a Category 1 fabric. There are no application charges for COM fabrics.

Ordering and payment for COM textile yardage are the responsibility of the customer and the textile supplier.

If desired, Herman Miller will purchase COM textiles directly from Maharam, Camira, C.F. Stinson, Guilford of Maine, Luna Textiles, Momentum Textiles and Ultrafabrics to simplify ordering and shipment. For this service, refer to the Supplier Connection program in Omni.

### Application Note

Herman Miller does not guarantee that Customer's Own Material (COM) fabric patterns will align across panels/tiles or from one screen to the next. We also do not guarantee that COM fabric designs will be positioned consistently in the same location across several panels, tiles, or screens.

### Textile Approval

1. Select a COM textile and a Herman Miller product.
2. If your textile does not show as tested in Omni, submit a request. You will be required to select a specific color of the textile and feature of the product to test, i.e., seat, back, etc.
3. Herman Miller will notify you of approval or disapproval within 4 days from receipt of the test yardage.

### Ordering Products with COM

1. Refer to the specific products to determine the yardage required for COM textiles.  
*Note: Yardage requirements are based on nondirectional, 54"-wide textiles. 66"-wide textiles are needed for application on 60"-wide products. Additional yardage may be needed due to the unique characteristics of a textile.*
2. Obtain the COM ID# in Omni. If the color you are ordering does not have a COM ID# assigned, click "Create ID".
3. Enter your order on Order Manager in Omni.
4. Upon receipt of your purchase order, Herman Miller will send you a PO acknowledgment.
5. Arrangements must be made for the textiles to be shipped from the supplier to Herman Miller for application to the Herman Miller products. Textiles must be tagged with the assigned identification number and the roll yardage quantity. See Omni for shipping procedures and current shipping addresses or contact a COM representative at (616) 654 3400 or (866) 854 3048 ext 6543400.  
Products will be scheduled for production when COM textiles are received at Herman Miller. Standard lead times in effect at that time will apply.

*Note: If textiles are to be purchased directly by Herman Miller through the Supplier Connection program, Herman Miller will handle the ordering and shipping process and will schedule your order for production upon receipt of your purchase order (dependent on textile availability). Refer to the Supplier Connection program for more information.*

# Customer's Own Material Order Information — Workspaces

*continued*

## Supplier Connection

### Program Overview

The Supplier Connection program is a service offered by Herman Miller to purchase approved COM textiles directly from Maharam, Camira, C.F. Stinson, Guilford of Maine, Luna Textiles, Momentum Textiles and Ultrafabrics. When you select a textile through this program, Herman Miller will facilitate the ordering, scheduling, and shipment of the textile directly with the supplier.

Suppliers included in the Supplier Connection program keep an active inventory of textiles that are pre-approved for application to Herman Miller products. Pre-approval applies only to the suitability of a textile for manufacturing and application to a Herman Miller product. Omni provides an overview of fabrics that have been tested and indicates whether or not they were approved for application to Herman Miller products.

Specific information on the terms and conditions, testing, approval, and ordering process for the Supplier Connection program is listed below. Questions and requests for assistance may be directed to your COM representative at:

(616) 654 3400

(866) 854 3048 ext 6543400

### Supplier Connection Warranty

Textiles purchased by Herman Miller through the Supplier Connection program are COM and are not warranted by Herman Miller. COM textiles are tested for application only; they are not tested for performance. The Herman Miller warranty does apply to the underlying products.

Suppliers of COM textiles are responsible for color consistency within commercial tolerances, UV stability, and resistance to soiling and perspiration.

### Supplier Connection Pricing

Textiles purchased by Herman Miller through the Supplier Connection program are COM. COM is a Category 1 fabric. There are no application charges for COM fabrics.

Payment for textiles purchased by Herman Miller through the Supplier Connection program is the responsibility of the customer or dealer. Herman Miller will invoice the order at a total product cost based on the supplier's price published at the time of the order.

### Textile Approval

1. Select a COM textile and a Herman Miller product.
2. If your textile does not show as tested in Omni, submit a request. You will be required to select a specific color of the textile and feature of the product to test, i.e., seat, back, etc.
3. Herman Miller will notify you of approval or disapproval within 4 days from receipt of the test yardage.

### Ordering Products with Supplier Connection COM

1. Identify and include the following information on your purchase order:
  - Product number and option
  - Herman Miller's COM identification number
2. Enter your order on Order Manager in Omni.
3. Upon receipt of the purchase order, Herman Miller will process your order and send you a PO acknowledgment. Herman Miller will determine the yardage required to produce your product and will order and schedule for delivery the required textile. Standard lead times in effect at the time the textile is allocated at the supplier will apply to products ordered through this program.



# Textiles Application Chart — Workspaces

• Available

A Assigned lead-time textile.

A Maharam textiles are on assigned lead times.

See page 2 for exception notes.

	Action Office® Panels/Connectors	Action Office B-Style Tackboards	Action Office/Ethospace E-Style Storage	Ethospace Tiles/Connectors	Ethospace/Canvas Office Landscape® Privacy Doors	Canvas Tiles/Extended Width Tiles/Channel Tiles	Canvas B-/E-Style Storage	Canvas Tackboards	Canvas Metal Desk Hutch Back Panel	Canvas Vista™ Movable Insert and Display Unit	OE1 Boundary Agile Wall Tile	OE1 Boundary Project Board and Screens	OE1 Floating Screen	OE1 Nook Liner/Felt Screen Liner/Storage Trolley Liner	Overlay™ Performance Wall Cladding	Parl™ Screens/Flat Edge Screens/Channel Screens	Passport Work Table Screen	Renew™ Link Screens	Ambit™ Workspace Solutions Screen	Ambit Workspace Solutions Metal Screen Liner	Exclave® Tackable Boards and Stowage Tackable Backdrop	Exclave Video-Friendly Tackable Boards & Stowage Tackable Backdrop	Personal Side Screen	Tu® Wood Storage Cubby Tackboard	Seating
<b>Price Category 1</b>																									
COM	Customer's Own Material <span style="border: 1px solid black; padding: 0 2px;">A</span>																								
2V__	Chain	•	•	•	•	•	•	•	•	•	•	•	•	•	•	•	•	•	•	•	•	•	•	•	•
8T__	Crossing (85__)	•	•	•	•	•	•	•	•	•	•	•	•	•	•	•	•	•	•	•	•	•	•	•	•
3DE__	Dex	•	•	•	•	•	•	•	•	•	•	•	•	•	•	•	•	•	•	•	•	•	•	•	•
2I__	Grasscloth	•	•	•	•	•	•	•	•	•	•	•	•	•	•	•	•	•	•	•	•	•	•	•	•
1MN__	Monologue	•	•	•	•	•	•	•	•	•	•	•	•	•	•	•	•	•	•	•	•	•	•	•	•
5T__	Resonance	•	•	•	•	•	•	•	•	•	•	•	•	•	•	•	•	•	•	•	•	•	•	•	•
4SC__	Scatter	•	•	•	•	•	•	•	•	•	•	•	•	•	•	•	•	•	•	•	•	•	•	•	•
3DN__	Scribe	•	•	•	•	•	•	•	•	•	•	•	•	•	•	•	•	•	•	•	•	•	•	•	•
22F__	Slant	•	•	•	•	•	•	•	•	•	•	•	•	•	•	•	•	•	•	•	•	•	•	•	•
235__	Tailored	•	•	•	•	•	•	•	•	•	•	•	•	•	•	•	•	•	•	•	•	•	•	•	•
1WS__	Whisper	•	•	•	•	•	•	•	•	•	•	•	•	•	•	•	•	•	•	•	•	•	•	•	•
<b>Price Category 2</b>																									
3AR__	Aristo	•	•	•	•	•	•	•	•	•	•	•	•	•	•	•	•	•	•	•	•	•	•	•	•
51__	Cord	•	•	•	•	•	•	•	•	•	•	•	•	•	•	•	•	•	•	•	•	•	•	•	•
92__	Crepe	•	•	•	•	•	•	•	•	•	•	•	•	•	•	•	•	•	•	•	•	•	•	•	•
3EP__	Epic	•	•	•	•	•	•	•	•	•	•	•	•	•	•	•	•	•	•	•	•	•	•	•	•
3DP__	Hint	•	•	•	•	•	•	•	•	•	•	•	•	•	•	•	•	•	•	•	•	•	•	•	•
4N__	Horizon	•	•	•	•	•	•	•	•	•	•	•	•	•	•	•	•	•	•	•	•	•	•	•	•
1HA__	Medley	•	•	•	•	•	•	•	•	•	•	•	•	•	•	•	•	•	•	•	•	•	•	•	•
4ME__	Mellow	•	•	•	•	•	•	•	•	•	•	•	•	•	•	•	•	•	•	•	•	•	•	•	•
ZMA__	Metaphor - Maharam <span style="border: 1px solid black; padding: 0 2px;">A</span>	•	•	•	•	•	•	•	•	•	•	•	•	•	•	•	•	•	•	•	•	•	•	•	•
8I1__	Muse - Maharam <span style="border: 1px solid black; padding: 0 2px;">A</span>	•	•	•	•	•	•	•	•	•	•	•	•	•	•	•	•	•	•	•	•	•	•	•	•
3SL__	Sequel	•	•	•	•	•	•	•	•	•	•	•	•	•	•	•	•	•	•	•	•	•	•	•	•
4TE__	Terra	•	•	•	•	•	•	•	•	•	•	•	•	•	•	•	•	•	•	•	•	•	•	•	•
3TW__	Twine	•	•	•	•	•	•	•	•	•	•	•	•	•	•	•	•	•	•	•	•	•	•	•	•
8R__	Twist (5S__)	•	•	•	•	•	•	•	•	•	•	•	•	•	•	•	•	•	•	•	•	•	•	•	•
<b>Price Category 3</b>																									
43Z__	Fractal	•	•	•	•	•	•	•	•	•	•	•	•	•	•	•	•	•	•	•	•	•	•	•	•
47__	Ground Cloth®	•	•	•	•	•	•	•	•	•	•	•	•	•	•	•	•	•	•	•	•	•	•	•	•
ZM2__	Meld - Maharam <span style="border: 1px solid black; padding: 0 2px;">A</span> *	•	•	•	•	•	•	•	•	•	•	•	•	•	•	•	•	•	•	•	•	•	•	•	•
4GE__	Parcel	•	•	•	•	•	•	•	•	•	•	•	•	•	•	•	•	•	•	•	•	•	•	•	•
8W__	Strands	•	•	•	•	•	•	•	•	•	•	•	•	•	•	•	•	•	•	•	•	•	•	•	•
<b>Price Category 4</b>																									
3DM__	Daydream	•	•	•	•	•	•	•	•	•	•	•	•	•	•	•	•	•	•	•	•	•	•	•	•
1HS__	Hush	•	•	•	•	•	•	•	•	•	•	•	•	•	•	•	•	•	•	•	•	•	•	•	•
<b>Price Category 5</b>																									
3CY__	Cozy	•	•	•	•	•	•	•	•	•	•	•	•	•	•	•	•	•	•	•	•	•	•	•	•
14A__	Hopsak	•	•	•	•	•	•	•	•	•	•	•	•	•	•	•	•	•	•	•	•	•	•	•	•
40G__	Method - Maharam <span style="border: 1px solid black; padding: 0 2px;">A</span>	•	•	•	•	•	•	•	•	•	•	•	•	•	•	•	•	•	•	•	•	•	•	•	•
ZNC__	Nico - Maharam <span style="border: 1px solid black; padding: 0 2px;">A</span>	•	•	•	•	•	•	•	•	•	•	•	•	•	•	•	•	•	•	•	•	•	•	•	•
<b>Price Category 6-7</b>																									
No fabrics available at this time.																									

continued on next page

# Textiles Application Chart — Workspaces *continued*

• Available

A Assigned lead-time textile.

A Maharam textiles are on assigned lead times.

See page 2 for exception notes.

	Action Office® Panels/Connectors	Action Office B-Style Tackboards	Action Office/Ethospace E-Style Storage	Ethospace Tiles/Connectors	Ethospace/Canvas Office Landscape® Privacy Doors	Canvas Tiles/Extended Width Tiles/Channel Tiles	Canvas B-/E-Style Storage	Canvas Tackboards	Canvas Metal Desk Hutch Back Panel	Canvas Vista™ Movable Insert and Display Unit	OE1 Boundary Agile Wall Tile	OE1 Boundary Project Board and Screens	OE1 Floating Screen	OE1 Nook Liner/Felt Screen Liner/Storage Trolley Liner	Overlay™ Performance Wall Cladding	Pari™ Screens/Flat Edge Screens/Channel Screens	Passport Work Table Screen	Renew™ Link Screens	Ambit™ Workspace Solutions Screen	Ambit Workspace Solutions Metal Screen Liner	Exclave® Tackable Boards and Stowage Tackable Backdrop	Exclave Video-Friendly Tackable Boards & Stowage Tackable Backdrop	Personal Side Screen	Tu® Wood Storage Cubby Tackboard	Seating
<b>Price Category 8</b>																									
1QG__Breeze - Maharam <span style="border: 1px solid black; padding: 0 2px;">A</span>														•											
<b>Price Category 9</b>																									
No fabrics available at this time.																									
<b>Price Category A</b>																									
No fabrics available at this time.																									
<b>Price Category B</b>																									
VM__Medium - Maharam <span style="border: 1px solid black; padding: 0 2px;">A</span>		2			•	20	•	•	•						•										•
TI__Messenger - Maharam <span style="border: 1px solid black; padding: 0 2px;">A</span> *		2	•	12	•	2	•	•	•						•	•			•						•
<b>Price Category C</b>																									
Z27__Manner - Maharam <span style="border: 1px solid black; padding: 0 2px;">A</span>		2	2	2	•	•	2	•	•	•					•	•			•						•
Z3__Metric - Maharam <span style="border: 1px solid black; padding: 0 2px;">A</span>		2	2		•	•		•	•	•					•	•			•						•
<b>Price Category D</b>																									
ZMD__Mode - Maharam <span style="border: 1px solid black; padding: 0 2px;">A</span>		2																				•			•
ZS3__Spiral - Maharam <span style="border: 1px solid black; padding: 0 2px;">A</span>		•	•	•	•		•	•	•	•					•										•
<b>Price Category E</b>																									
ZF3__Flock - Maharam <span style="border: 1px solid black; padding: 0 2px;">A</span>														•					•						
TT__Parallel - Maharam <span style="border: 1px solid black; padding: 0 2px;">A</span>		7	•		•	•	•	16	•	•	•				•										
<b>Price Category F</b>																									
8EX__Emit - Maharam <span style="border: 1px solid black; padding: 0 2px;">A</span>		2	2	2	•	•	•	2	•	•															
<b>Price Category G-Z</b>																									
No fabrics available at this time.																									

*Application Note: Herman Miller cannot guarantee material/pattern alignment in adjacent products. For example, a fabric's pattern may not align from one screen to the next, or from one panel to the next.*

\* Available in select colors on 20-day lead-time. Refer to "Maharam Colors - Workspaces" for 20-day colors.

- 1 Refer to price book appendices and Omni for COM information.
- 2 Available on all products except 54" and 60" wide.
- 3 Not available on AO partial-glazed panels.
- 4 Not available on Action Office (AO®) acoustical panels.
- 5 (8R\_\_), (8T\_\_), (85\_\_), and (5S\_\_) not available on AO acoustical panels and not available on 54"- or 60"-wide products.
- 6 Not available on Action Office (AO®) connectors, cable management, and spacers.
- 7 Not available on AO acoustical panels; not available on AO2 cable management panel face.
- 8 Available in select colors. See the "Proprietary Textile Colors — Workspaces" appendix.
- 12 Not available on Ethospace tackable tiles.
- 16 Not available on Canvas E-style storage.
- 18 Available on seating products in select colors. See the "Proprietary Textile Colors — Seating" appendix.
- 20 Not available on Canvas E-style storage or 60"-wide B-style storage.
- 21 Not available on Ethospace connectors and cable management tiles.
- 22 Not available as railroaded application option for Chain (2V00) on Canvas Extended Width Tiles.

# Textile Colors

## Price Category 1

**Customer's Own Material**  
See Order Information in Appendices. Assigned lead-time textile. [A](#)

**8Z Pellicle®**  
Seating  
For New Aeron® Chairs  
56% elastomeric  
44% polyester  
23101 Mineral  
23102 Carbon  
23103 Graphite

**AireWeave™ 2**  
Seating  
For Mirra® 2 Chairs  
67% elastomeric  
33% antimony-free polyester  
1A701 Alpine  
1A702 Slate Grey  
1A703 Graphite  
1A704 Lime Green  
1A705 Cappuccino  
1A706 Urban Orange  
1A707 Dark Turquoise  
1A708 Twilight

**Chain**  
Workspaces  
66" wide  
100% recycled polyester with 12% ocean bound plastic  
2V01 Pearl  
2V02 Oyster  
2V03 Wheat  
2V04 Linen  
2V05 Wicker  
2V06 Bamboo  
2V07 Sage  
2V08 Spring Wood  
2V09 Iceberg

**Crossing**  
Seating/Workspaces  
54" wide  
86% antimony-free polyester  
14% polyester  
8T03 Wicker \*  
8T04 Porcelain \*  
8T05 Warm Grey \*  
8T10 Tomato  
8T17 Cerulean  
8T18 Indigo  
8T19 Shale \*  
8T22 Tin \*  
8T23 Graphite  
8T24 Black

**Crossing**  
Workspaces  
For workspaces products only.  
54" wide  
86% antimony-free polyester  
14% polyester  
8501 Ivory \*  
8502 Oyster \*

\* Colors available on Exclave®  
Video-friendly Tackable Boards and Stowage Tackable Backdrop

**Dex**  
Ancillary/Seating/Workspaces  
54" wide  
67% recycled polyester  
33% polyester  
3DE01 Frost  
3DE02 Silver Pine  
3DE03 Stone  
3DE04 Shale  
3DE05 Charcoal  
3DE06 Gossamer  
3DE07 Pine

**Duo**  
Seating  
For Lino™ Chairs  
52% polyester  
48% elastomeric  
4RM01 Mineral  
4RM02 Poppy  
4RM03 Green Leaf  
4RM04 Jade  
4RM05 Shadow  
4RM06 Graphite

**Flexnet™**  
Seating  
For Caper® Chairs  
69% elastomeric  
31% polyester  
6V01 Black  
6V02 Silver Grey

**Grasscloth**  
Workspaces  
66" wide  
100% recycled polyester with 11% ocean bound plastic  
2I01 Silver Birch  
2I02 Pampas  
2I03 Sedge  
2I07 Lea  
2I08 Taro  
2I09 Steam Grey  
2I13 Gravel

**Intercept**  
Seating  
For Cosm™ Chairs  
60% elastomeric  
40% polyester  
84501 Graphite  
84502 Carbon  
84503 Mineral  
84504 Nightfall  
84505 Glacier  
84506 Canyon

**Interweave 2**  
Seating  
For Verus™ Chairs  
65% elastomeric  
35% polyester  
36501 Iceberg  
36502 Poppy  
36503 Beachglass  
36504 Blue Grotto  
36505 Slate  
36506 Shale

**Lyris 2™**  
Seating  
For Setu® Chairs  
74% elastomeric  
26% polyester  
4W21 Alpine  
4W23 Chartreuse  
4W25 Berry Blue  
4W26 Slate Grey  
4W28 Chino  
4W31 Graphite

**Monologue**  
Ancillary/Seating/Workspaces  
54" wide  
56% recycled polyester  
44% polyester  
1MN01 Linen  
1MN02 Alabaster  
1MN04 Folkstone  
1MN05 Silver Pine  
1MN06 Slate  
1MN07 Seed  
1MN09 Persimmon  
1MN11 Meadow  
1MN12 Blue Sky  
1MN13 Blue Spruce  
1MN14 Deep Sea

Price category 1 continued on next page

- Maharam textiles are on assigned lead times [A](#).
- Fabric numbers are listed as Herman Miller fabric number/Maharam fabric number.

# Textile Colors

continued

## Price Category 1

continued

Appendix: Textile Colors

Resonance	
Workspaces	
66" wide	
100% polyester	
5T04	Greige
5T05	Porcelain
5T06	Alabaster
5T15	Iris
5T28	Sugar
5T47	Tobacco
5T54	Saltbush
5T57	Seed
5T58	Sepia
5T60	Iceberg
5T65	Red
5T67	Boysenberry
5T68	Pistachio
5T69	Green Apple
5T71	Jade
5T72	Blue Green
5T74	Twilight

Ripple 3D Knit	
Seating	
Available only on Zeph® Chairs.	
knit to size	
99% recycled polyester	
1% lycra	
5H201	Black
5H202	Carbon
5H203	Alpine
5H204	Silt
5H205	Tea Rose
5H206	Cocoa
5H207	Persimmon
5H208	Blaze
5H209	Cayenne
5H210	Falcon
5H211	Mustard Seed
5H212	Patina
5H213	Olive
5H214	Moss
5H215	Aloe
5H216	Glacier
5H217	Ultramarine
5H218	Nightfall
5H219	Bluebell
5H220	Boysenberry
5H221	Nightfall/Bluebell
5H222	Patina/Alpine
5H223	Cayenne/Glacier
5H224	Tea Rose/Olive
5H225	Silt/Blaze

Scatter	
Ancillary/Seating/Workspaces	
54" wide	
100% recycled polyester, with 26% ocean bound plastic	
4SC01	Alpine
4SC02	Fog
4SC03	Shale
4SC04	Persimmon
4SC07	Olive
4SC08	Glacier
4SC09	Blue Sky
4SC10	Lagoon
4SC11	Slate Grey
4SC12	Blue Black

Scribe	
Seating/Workspaces	
54" wide	
100% recycled polyester with 53% ocean bound plastic	
3DN01	Spring Wood
3DN02	Poplar
3DN03	Pewter
3DN04	Deep Sea
3DN05	Fir
3DN06	Nutmeg

Slant	
Workspaces	
66" wide	
51% polyester 49% recycled polyester	
22F04	Pesto
22F06	Neptune
22F07	Blueberry
22F10	Pumpkin
22F12	Silver Birch
22F13	Bluestone
22F15	Shale

Splash 3D Knit	
Seating	
Available only on Zeph® Chairs.	
knit to size	
98% recycled polyester	
2% lycra	
5H101	Black
5H102	Carbon
5H103	Alpine
5H104	Silt
5H105	Tea Rose
5H106	Cocoa
5H107	Persimmon
5H108	Blaze
5H109	Cayenne
5H110	Falcon
5H111	Mustard Seed
5H112	Patina
5H113	Olive
5H114	Moss
5H115	Aloe
5H116	Glacier
5H117	Ultramarine
5H118	Nightfall
5H119	Bluebell
5H120	Boysenberry

Stretch Knit	
Seating	
Assigned lead-time textile. <sup>A</sup>	
Available only on Say®	
Suspension Back Work Chairs	
97% polyester, 3% spandex	
3DK01	Fog
3DK02	Slate Grey
3DK03	Java
3DK04	Black
3DK05	Red
3DK06	Green Apple
3DK07	Berry Blue

Price category 1 continued on next page

- Maharam textiles are on assigned lead times <sup>A</sup>.
- Fabric numbers are listed as Herman Miller fabric number/Maharam fabric number.

# Textile Colors

continued

## Price Category 1

continued

Tailored	
Ancillary/Seating/Workspaces 54" wide 56% polyester 44% recycled polyester	
23501	Studio White * **
23502	Sugar *
23503	Tomato
23506	Chive
23508	Cobalt
23509	Cadet
23510	Fog
23511	Graphite
23512	Black
23513	Coffee

\* Colors not available on Plex™ Lounge Furniture.  
\*\* Color not available on Canvas Tiles.

Tuck 3D Knit	
Seating Available only on Fuld Nesting Chairs. knit to size 56% polyester 44% recycled polyester	
9NK01	Alpine
9NK02	Carbon
9NK03	Nightfall
9NK04	Olive
9NK05	Cocoa
9NK06	Canyon

Whisper	
Ancillary/Seating/Workspaces 54" wide 73% recycled polyester 27% polyester with 11.3% ocean bound plastic	
1WS01	Sand Dollar
1WS02	Pebble
1WS03	Silver Birch
1WS04	Iceberg
1WS05	Silver Pine
1WS06	Carbon
1WS07	Cumin
1WS12	Willow
1WS13	Sea Grass
1WS14	Pool
1WS15	Blueberry
1WS16	Glacier
1WS17	Grey
1WS18	Canyon

## Price Category 2

Aristo	
Ancillary/Seating/Workspaces 54" wide 88% recycled polyester 12% polyester Acrylic backing	
3AR01	Forest Moss
3AR02	Light Brindle
3AR03	Mink
3AR04	Copper
3AR05	Adobe
3AR06	Cherry
3AR07	Lilac
3AR08	Green Apple
3AR09	Surf
3AR10	Waterfall
3AR11	Cadet
3AR12	Tin
3AR13	Pewter
3AR14	Grey Brindle
3AR15	Grey Black

Cord	
Workspaces 66" wide 51% antimony-free polyester 49% polyester	
5101	Ivory
5102	White Ash
5103	Linen
5104	Bamboo
5105	Sepia
5107	Sesame
5109	Bayou
5111	Spring Wood
5112	Summer White

Crepe	
Ancillary/Seating/Workspaces 54" wide 100% recycled polyester, with 43.6% ocean bound plastic	
9201	Licorice
9203	Smoke
9207	Cherry
9223	Cadet
9241	Beachglass
9249	Stone *
9251	Fog *
9252	Slate Grey
9261	Shale
9262	Graphite
9265	Mineral
9266	Persimmon
9267	Juniper
9268	Glacier
9269	Cascade
9270	Navy

\* Colors available on Exclave® Video-friendly Tackable Boards and Stowage Tackable Backdrop.

Price category 2 continued on next page

- Maharam textiles are on assigned lead times <sup>A</sup>.
- Fabric numbers are listed as Herman Miller fabric number/Maharam fabric number.

# Textile Colors

continued

## Price Category 2

continued

Appendix: Textile Colors

Epic	
Ancillary/Seating/Workspaces	
54" wide	
56% recycled polyester	
44% polyester	
Acrylic backing	
3EP01	Alabaster
3EP02	Smoke
3EP03	Falcon
3EP05	Copper
3EP06	Urban Orange
3EP07	Poppy
3EP10	Clover
3EP11	Loden
3EP14	Peacock
3EP15	Cadet
3EP16	Indigo
3EP17	Spring Wood
3EP18	Grey Brindle
3EP19	Seed
3EP20	Carbon Dark
Hint	
Ancillary/Seating/Workspaces	
54" wide	
76% recycled polyester	
24% polyester	
3DP01	Sediment
3DP02	Gunmetal
3DP03	Silt
3DP04	Porcelain
3DP05	Indigo
3DP06	Fern
3DP07	Adobe
3DP08	Red Sea

Horizon	
Workspaces	
54" wide	
65% antimony-free polyester	
35% polyester	
4N01	Rye Grass
4N02	Sugar Pine
4N03	Silver Pine
4N04	White Ash
4N05	Spring Wood
4N08	Haystack
4N09	Oat Grass
4N13	Pine Cone
4N15	Elderberry

Marvel	
Ancillary/Seating	
54" wide	
100% pvc-free polyurethane	
antimicrobial, antibacterial finish	
1MV01	Summer White
1MV02	Sand Dollar
1MV03	Espresso
1MV04	Folkstone Grey
1MV05	Graphite
1MV06	Onyx
1MV07	Polar Blue
1MV08	Blush Grey
1MV12	Red
1MV14	Pine
1MV15	Teal Green
1MV16	Twilight

Medley	
Ancillary/Seating/Workspaces	
54" wide	
100% polyester	
1HA01	Stone *
1HA02	Trail
1HA03	Charcoal
1HA04	Cinder
1HA07	Chutney
1HA09	Feather Grey *
1HA11	Loden
1HA13	Bayou *
1HA14	Blue Grotto
1HA15	Blueberry
1HA22	Khaki
1HA23	Pewter
1HA24	Yellow Oxide
1HA25	Vintage Rose
1HA26	Raspberry
1HA27	Acai Berry

\* Colors available on Exclave®  
Video-friendly Tackable Boards  
and Stowage Tackable Backdrop

Mellow	
Ancillary/Seating/Workspaces	
54" wide	
100% recycled polyester,	
with 16% ocean bound plastic	
4ME01	Mineral
4ME04	Olive
4ME05	Glacier
4ME06	Oceanside
4ME07	Charcoal

Metaphor – Maharam	
Ancillary/Seating/Workspaces	
54" wide	
100% polyester	
Acrylic backing	
ZMA01/466553-001	Afterfeather *
ZMA02/466553-002	Moonflower
ZMA03/466553-003	Handcraft
ZMA04/466553-004	Crossroad
ZMA05/466553-005	Chondrite
ZMA06/466553-006	Detective
ZMA07/466553-007	Steamship
ZMA08/466553-008	Electricity
ZMA09/466553-009	Takeoff
ZMA10/466553-010	Parachute
ZMA11/466553-011	Blueshift
ZMA12/466553-012	Dockyard
ZMA13/466553-013	Bathe
ZMA14/466553-014	Icebound
ZMA15/466553-015	Thermosphere
ZMA16/466553-016	Aboard
ZMA17/466553-017	Agaware
ZMA18/466553-018	Homeland
ZMA19/466553-019	Rockfall
ZMA20/466553-020	Undergrowth
ZMA21/466553-021	Gremolata
ZMA22/466553-022	Patina
ZMA23/466553-023	Sylvan
ZMA24/466553-024	Outfield
ZMA25/466553-025	Windbreak
ZMA26/466553-026	Saguaro

Price category 2 continued on  
next page

- Maharam textiles are on assigned lead times [A](#).
- Fabric numbers are listed as Herman Miller fabric number/Maharam fabric number.

# Textile Colors

continued

## Price Category 2

continued

### Metaphor continued

ZMA27/466553-027	Barnwood
ZMA28/466553-028	Cookshop
ZMA29/466553-029	Amandine
ZMA30/466553-030	Bodhran
ZMA31/466553-031	Centerstage
ZMA32/466553-032	Focaccia
ZMA33/466553-033	Bumblebee
ZMA34/466553-034	Microbrew
ZMA35/466553-035	Sauna
ZMA36/466553-036	Gazebo
ZMA37/466553-037	Pirouette
ZMA38/466553-038	Heartbeat
ZMA39/466553-039	Shino
ZMA40/466553-040	Sunrise
ZMA41/466553-041	Florist
ZMA42/466553-042	Beadwork
ZMA43/466553-043	Framboise
ZMA44/466553-044	Wisteria
ZMA45/466553-045	Warrior

\* Colors not available on Eames Aluminum Group, Soft Pad, Sofa Compact, Molded Fiberglass/Plastic Chairs, Task Chair, Wire Chairs, Nelson Platform Bench Cushion, Swoop Plywood Lounge Chair.

### Muse – Maharam

Ancillary/Seating/Workspaces	
54" wide	
100% post-consumer recycled polyester	
8I101/466487-001	Crescendo
8I102/466487-002	Resonate
8I103/466487-003	Runway
8I104/466487-004	Ascend
8I105/466487-005	Veil *
8I106/466487-006	Refresh *
8I107/466487-007	Clear *
8I108/466487-008	Fantasy
8I109/466487-009	Miso
8I110/466487-010	Compass
8I111/466487-011	Bergamot *
8I112/466487-012	Grasshopper

### Muse continued

8I113/466487-013	Goal
8I114/466487-014	Mistletoe
8I115/466487-015	Seaglass *
8I116/466487-016	Frigid
8I117/466487-017	Riverbend
8I118/466487-018	Noble
8I119/466487-019	Pulsar
8I120/466487-020	Velella
8I121/466487-021	Sailboat
8I122/466487-022	Sparse
8I123/466487-023	Vase
8I124/466487-024	Haven
8I125/466487-025	Mead
8I126/466487-026	Neat
8I127/466487-027	Jovial
8I128/466487-028	Theater
8I129/466487-029	Poinsettia
8I130/466487-030	Celebrate
8I131/466487-031	Spectacle

\* Colors not available on Valor Seating.

### Rhythm

Ancillary/Seating	
54" wide	
100% polyester	
3002	Green Apple
3004	Bayou
3005	Berry Blue
3006	Iris
3007	Twilight
3009	Poppy
3010	Molasses
3012	Khaki
3013	Mink
3014	Black *
3015	Charcoal *

\* Colors available on Embody® Chair.

### Sequel

Ancillary/Seating/Workspaces	
54" wide	
100% vinyl	
100% polyester knit backing	
Resilience® finish	
3SL01	White
3SL02	Pebble
3SL03	Mushroom
3SL04	Stone
3SL06	Rattan
3SL09	Seal
3SL10	Blue Fog
3SL11	Folkstone
3SL12	Shale
3SL13	Slate Grey
3SL14	Charcoal
3SL15	Carbon Dark
3SL28	Navy *

\* Color available on Eames® Tandem Sling Seating.

### Terra

Ancillary/Seating/Workspaces	
54" wide	
100% post-consumer recycled biodegradable polyester *	
4TE01	Spring Wood
4TE02	Zinc
4TE03	Pine Cone
4TE04	Charcoal

\* 1% biodegradation in 1,278 days under ASTM D5511 conditions. No evidence of further degradation.

### Twine

Workspaces	
66" wide	
100% recycled polyester	
3TW01	Silver Birch
3TW02	Ivory
3TW03	Alabaster
3TW04	Bamboo
3TW05	Iceberg
3TW06	Charcoal
3TW07	Feather Grey
3TW08	Shale

### Twist

Ancillary/Seating/Workspaces	
54" wide	
80% antimony-free polyester	
13% recycled polyester	
7% polyester	
8R05	Wicker
8R10	Poppy
8R14	Tin
8R15	Shale
8R16	Graphite
8R17	Birch
8R18	Sepia
8R22	Blueberry
8R23	Green Apple
8R26	Gunmetal
8R27	Cinder
8R29	Pekoe
8R33	Forest
8R35	Waterfall
8R36	Midnight Blue
8R37	Carbon Dark

### Twist

Workspaces	
For workspaces products only.	
54" wide	
80% antimony-free polyester	
13% recycled polyester	
7% polyester	
5S03	Oyster

- Maharam textiles are on assigned lead times [A](#).
- Fabric numbers are listed as Herman Miller fabric number/Maharam fabric number.

# Textile Colors

continued

## Price Category 3

Appendix: Textile Colors

Ace	
Ancillary/Seating	
54" wide	
100% polyurethane	
Polyester knit backing	
Stain resistant finish	
3AC01	Summer White
3AC02	White Ash
3AC03	Rye
3AC04	Metal
3AC05	Clay
3AC06	Chestnut
3AC08	Camelback
3AC09	Chipotle
3AC12	Artichoke
3AC13	Sepia Dark
3AC14	Aloe
3AC15	Flint
3AC16	Blue Sky
3AC17	Oceanside
3AC18	Midnight
3AC20	Frost
3AC21	Lead
3AC22	Black

Fractal	
Ancillary/Seating/Workspaces	
58" wide	
84% recycled polyester	
16% polyester	
43Z01	Granite
43Z02	Golden Olive
43Z03	Verdant
43Z04	Cadet

Ground Cloth®	
Workspaces	
66" wide	
100% polyester	
4701	Vapor Grey
4721	Warm White *
4722	Fog *
4723	Straw *
4724	Red Orange *
4726	Green Apple *
4727	Caribbean *
4728	Midnight *
4729	Cappuccino *

\* Colors available on Exclave®  
Video-friendly Tackable Boards  
and Stowage Tackable Backdrop

Latitude	
Seating	
Colors for Mirra 2 Chairs	
100% polyester	
8M10	Alpine
8M17	Black
8M21	Slate Grey
8M23	French Press
8M25	Dark Turquoise
8M26	Twilight

Meld – Maharam	
Ancillary/Seating/Workspaces	
54" wide	
68% post-consumer recycled polyester	
32% polyester	
PFOA-Free stain resistant	
ZM201/466387-201	Vast
ZM202/466387-202	Panda **
ZM203/466387-203	Skyline *
ZM204/466387-204	Knight **
ZM205/466387-205	Quill **
ZM206/466387-206	Pipe
ZM207/466387-207	Grate *
ZM208/466387-208	Gloss

Meld continued	
ZM209/466387-209	Bulb
ZM210/466387-210	Bride
ZM211/466387-211	Stark
ZM212/466387-212	Seashell
ZM213/466387-213	Antler
ZM214/466387-214	Crater *
ZM215/466387-215	Perennial
ZM216/466387-216	Mulberry
ZM217/466387-217	Fuchsia *
ZM218/466387-218	Amethyst *
ZM219/466387-219	Merlot
ZM220/466387-220	Magma *
ZM221/466387-221	Rooster
ZM222/466387-222	Heat *
ZM223/466387-223	Clementine
ZM224/466387-224	Fox
ZM225/466387-225	Kiss *
ZM226/466387-226	Bare
ZM227/466387-227	Blonde
ZM228/466387-228	Mimosa
ZM229/466387-229	Comet *
ZM230/466387-230	Honeydew
ZM231/466387-231	Wild *
ZM232/466387-232	Vine
ZM233/466387-233	Seed
ZM234/466387-234	Kale *
ZM235/466387-235	Waterfall *
ZM236/466387-236	Nordic *
ZM237/466387-237	Reef *
ZM238/466387-238	Wave
ZM239/466387-239	Isle **
ZM240/466387-240	Creek
ZM241/466387-241	Mariner *
ZM242/466387-242	Globe
ZM243/466387-243	Spa

\* Colors available on  
20-day lead time.  
\*\* Colors available on  
10-day lead time.

Parcel	
Ancillary/Seating/Workspaces	
54" wide	
100% recycled polyester	
4GE01	Gunmetal
4GE02	Brindle
4GE03	Bayou
4GE04	Pesto
4GE05	Golden Olive
4GE06	Copper Sea

Saille - Geiger Textile	
Ancillary	
57" wide	
69% cotton	
31% polyester	
PFOA-Free stain resistant finish	
Acrylic backing	
18001	Coal
18002	Shale
18003	Haze
18004	Stone
18005	White *
18006	Beach
18007	Sand
18008	Blush
18009	Brick
18010	Fog
18011	Celadon
18012	Poolside
18013	Summer Sky
18014	Lake
18015	Midnight Blue

\* Color not available on Eames®  
Soft Pad Group Chairs/Ottomans.

Price category 3 continued on  
next page

- Maharam textiles are on assigned lead times [A](#).
- Fabric numbers are listed as Herman Miller fabric number/Maharam fabric number.



# Textile Colors

continued

## Price Category 3

continued

Strands	
Workspaces	
66" wide	
100% recycled polyester	
8W01	Pebble
8W02	Porcelain
8W03	Taupe
8W04	Honey
8W05	Khaki
8W06	Rye
8W07	Wicker
8W08	Tin
8W09	Cool Grey

## Price Category 4

Cygnus	
Ancillary	
For Eames® Aluminum Group Chairs	
69% elastomeric	
31% polyester	
5401	Black
5402	Zinc
5403	Quartz

Daydream	
Ancillary/Seating/Workspaces	
54" wide	
48% wool	
41% recycled polyester	
9% nylon	
2% polyester	
3DM01	Rye Grass
3DM02	Silver Birch
3DM03	Pewter
3DM04	Graphite
3DM05	Black
3DM06	Lemongrass
3DM07	Permission
3DM08	Juniper
3DM09	Sea Grass
3DM10	Nightfall

Hush	
Workspaces	
66" wide	
80% polyester	
20% viscose	
1HS01	Canyon
1HS02	Pesto
1HS03	Bayou
1HS04	Greystone
1HS05	Charcoal
1HS06	Rye Grass
1HS07	Cool Grey
1HS08	Dark Grey
1HS09	Aqua Green
1HS10	Nightfall

Kalista - Geiger Textile	
Ancillary	
54" wide	
71% post-industrial recycled cotton	
18% post-industrial recycled polyester	
11% polyester	
PFOA-Free stain resistant finish	
1AL01	Cotton
1AL02	Natural
1AL03	Titanium
1AL04	Pewter
1AL05	Starry Night
1AL06	Red Hot
1AL07	Sun Kissed
1AL08	Dune
1AL09	Beach Glass
1AL10	Bluestone
1AL11	Seaside
1AL12	Night Sky

Lariat - Maharam	
Ancillary/Seating	
54" wide	
100% vinyl	
ZLR01/440401-001	001
ZLR02/440401-002	002
ZLR04/440401-004	004
ZLR06/440401-006	006
ZLR07/440401-007	007
ZLR08/440401-008	008
ZLR10/440401-010	010
ZLR11/440401-011	011
ZLR13/440401-013	013
ZLR14/440401-014	014
ZLR15/440401-015	015
ZLR16/440401-016	016
ZLR18/440401-018	018
ZLR20/440401-020	020
ZLR21/440401-021	021
ZLR24/440401-024	024
ZLR25/440401-025	025
ZLR26/440401-026	026

Lariat continued	
ZLR28/440401-028	028
ZLR31/440401-031	031
ZLR32/440401-032	032
ZLR33/440401-033	033
ZLR34/440401-034	034
ZLR38/440401-038	038
ZLR39/440401-039	Granite
ZLR40/440401-040	Linen
ZLR41/440401-041	Stella
ZLR42/440401-042	Saddle
ZLR43/440401-043	Holly
ZLR44/440401-044	Maroon
ZLR45/440401-045	Siren
ZLR46/440401-046	Reseda
ZLR47/440401-047	Purslane
ZLR48/440401-048	Spire
ZLR49/440401-049	Papyrus
ZLR50/440401-050	Chickadee
ZLR51/440401-051	Requiem

Sync	
Ancillary/Seating	
55" wide	
100% polyester	
3SY01	Pine Cone
3SY03	Canyon
3SY04	Truffle
3SY06	Everglade
3SY08	Nightfall
3SY09	Dark Mineral
3SY10	Slate Grey
3SY11	Dark Carbon
3SY12	Black

Appendix: Textile Colors

- Maharam textiles are on assigned lead times [A](#).
- Fabric numbers are listed as Herman Miller fabric number/Maharam fabric number.

# Textile Colors

continued

## Price Category 5

Appendix: Textile Colors

Cozy	
Ancillary/Seating	
54" wide	
100% wool	
3CY01	Heathered Warm Grey
3CY02	Heathered Rye Grass
3CY03	Heathered Cool Grey
3CY05	Heathered Black
3CY06	Heathered Persimmon
3CY07	Heathered Loden
3CY09	Heathered Lagoon
3CY10	Heathered Twilight

Hopsak	
Ancillary/Seating/Workspaces	
56" wide	
100% recycled polyester	
14A20	Black
14A22	Raw Umber Dark
14A26	Grey Blue Dark
14A30	Sepia Dark
14A38	Emerald Dark
14A39	Yellow Dark
14A40	Orange
14A41	Sienna
14A42	Olive Green Dark
14A43	Crimson
14A44	Crimson Dark Dark
14A45	Violet Dark
14A46	Pink Dark Dark
14A47	Ultramarine Dark
14A48	Cobalt Blue
14A49	Terra Cotta
14A50	Ochre Dark

Ingenu - Geiger Textile	
Ancillary	
54" wide	
28% wool	
26% viscose	
25% acrylic	
16% polyester	
5% cotton	
PFOA-Free stain resistant finish	
1GH01	Sand
1GH02	Fog
1GH03	Flannel
1GH04	Trench
1GH05	Vermillion
1GH06	Adriatic
1GH07	Umber
1GH08	Charcoal

Method - Maharam	
Ancillary/Seating/Workspaces	
54" wide	
100% recycled polyester	
with 9% ocean-bound plastic	
40G01/466579-001	Inspire
40G02/466579-002	Rhea
40G03/466579-003	Noise
40G04/466579-004	Speedway
40G05/466579-005	Villanelle
40G06/466579-006	Maestro
40G07/466579-007	Destiny
40G08/466579-008	Possess
40G09/466579-009	Waterside
40G10/466579-010	Relax
40G11/466579-011	Delightful
40G12/466579-012	Parrotlet
40G13/466579-013	Verdurous
40G14/466579-014	Bosky
40G15/466579-015	Acreage
40G16/466579-016	Allude
40G17/466579-017	Tweed
40G18/466579-018	Korma
40G19/466579-019	Fossilize
40G20/466579-020	Cattail
40G21/466579-021	Shortcake
40G22/466579-022	Racecar
40G23/466579-023	Courtship
40G24/466579-024	Jam
40G25/466579-025	Sparrow

Nico - Maharam	
Ancillary/Seating/Workspaces	
54" wide	
63% wool	
21% polyester	
16% solution-dyed nylon	
ZNC01/466564-001	Alcazar
ZNC02/466564-002	Ironclad
ZNC03/466564-003	Tune
ZNC04/466564-004	Bridegroom
ZNC05/466564-005	Diode
ZNC06/466564-006	Jest
ZNC07/466564-007	Sanctuary
ZNC08/466564-008	Aquarius
ZNC09/466564-009	Houseboat
ZNC10/466564-010	Olympian
ZNC11/466564-011	Tennis
ZNC12/466564-012	Dressage
ZNC13/466564-013	Zing
ZNC14/466564-014	Bitterroot
ZNC15/466564-015	Gemini
ZNC16/466564-016	Posh
ZNC17/466564-017	Sizzle
ZNC18/466564-018	Cheerful
ZNC19/466564-019	Watermelon
ZNC20/466564-020	Toucan
ZNC21/466564-021	Rosin
ZNC22/466564-022	Jousting
ZNC23/466564-023	Jojoba
ZNC24/466564-024	Dromedary
ZNC25/466564-025	Toasty
ZNC26/466564-026	Casaba
ZNC27/466564-027	Greenhouse
ZNC28/466564-028	Sibyl
ZNC29/466564-029	Spearmint
ZNC30/466564-030	Pothos
ZNC31/466564-031	Calathea
ZNC32/466564-032	Landscape
ZNC33/466564-033	Espalier
ZNC34/466564-034	Gecko
ZNC35/466564-035	Meditation

Price category 5 continued on next page

- Maharam textiles are on assigned lead times [A](#).
- Fabric numbers are listed as Herman Miller fabric number/Maharam fabric number.

# Textile Colors

continued

## Price Category 5

continued

Summit	
Ancillary/Seating	
54" wide	
100% silicone	
Polyester knit backing	
3SU02	Oyster
3SU03	Zinc
3SU04	Sparrow
3SU07	Black
3SU09	Beachglass
3SU10	Midnight

Vionette - Geiger Textile	
Ancillary	
55" wide	
100% polyester	
1GJ01	White Sand Mix
1GJ02	Desert Mix
1GJ03	Light Gray Mix
1GJ04	Pewter Mix
1GJ05	Cobalt Mix
1GJ06	Prussian Blue Mix
1GJ07	Chocolate Mix
1GJ08	Champagne
1GJ09	Morning Sky
1GJ10	Aquatic
1GJ11	Sapphire
1GJ12	Midnight Blue
1GJ13	Shadow
1GJ14	Java
1GJ15	Carbon
1GJ16	Black
1GJ17	Claret
1GJ18	Poppy

## Price Category 6

Balance	
Seating	
For Embody® chairs	
100% polyester	
3512	Carbon
3513	Black

Outdoor Weave	
Ancillary	
For Eames® Aluminum Group	
Outdoor Chairs	
50% elastomeric	
50% polypropylene	
7203	Lead
7205	Graphite

## Price Category 7

Customer's Own Leather	
See Order Information in	
Appendices. Assigned lead-time	
textile. <sup>A</sup>	

Beck – Maharam	
Ancillary/Seating	
55" wide	
78% wool	
22% nylon	
ZB301/466571-001	Overshadow
ZB302/466571-002	Molecule
ZB303/466571-003	Zeitgeist
ZB304/466571-004	Blacksmith
ZB305/466571-005	Cornerstone
ZB306/466571-006	Chainmail
ZB307/466571-007	Buckram
ZB308/466571-008	Callisto
ZB309/466571-009	Interlude
ZB310/466571-010	Letterpress
ZB311/466571-011	Memoir
ZB312/466571-012	Litmus
ZB313/466571-013	Stoic
ZB314/466571-014	Inkpad
ZB315/466571-015	Praxis
ZB316/466571-016	Astute
ZB317/466571-017	Percolate
ZB318/466571-018	Halocline
ZB319/466571-019	Semblance
ZB320/466571-020	Loch
ZB321/466571-021	Lido
ZB322/466571-022	Underwater
ZB323/466571-023	Tetrapod
ZB324/466571-024	Nymph
ZB325/466571-025	Appalachian

Beck continued	
ZB326/466571-026	Menthol
ZB327/466571-027	Woodruff
ZB328/466571-028	Malachite
ZB329/466571-029	Botanist
ZB330/466571-030	Woodlet
ZB331/466571-031	Katydid
ZB332/466571-032	Exuberant
ZB333/466571-033	Retrospect
ZB334/466571-034	Lambic
ZB335/466571-035	Argil
ZB336/466571-036	Brushstroke
ZB337/466571-037	Candescent
ZB338/466571-038	Reedbuck
ZB339/466571-039	Clayware
ZB340/466571-040	Curio
ZB341/466571-041	Whimsy
ZB342/466571-042	Effervescent
ZB343/466571-043	Lingonberry
ZB344/466571-044	Resplendent
ZB345/466571-045	Hollyhock
ZB346/466571-046	Filigree
ZB347/466571-047	Plutonic
ZB348/466571-048	Foundry
ZB349/466571-049	Patisserie
ZB390	Gold 007/032/033 *
ZB391	Russet 036/040/039 *
ZB392	Indigo 008/013/014 *
ZB393	Forest 006/031/028 *

\* Colors available only on Girard Color Wheel Ottoman.

Price category 7 continued on next page

• Maharam textiles are on assigned lead times <sup>A</sup>.  
 • Fabric numbers are listed as Herman Miller fabric number/Maharam fabric number.

# Textile Colors

continued

## Price Category 7

continued

Appendix: Textile Colors

Bellano - Geiger Textile	
Ancillary	
55" wide	
75% wool	
10% linen	
8% nylon	
7% alpaca	
1AX01	Pearl
1AX02	Fog
1AX03	Fawn
1AX04	Pumice
1AX05	Pewter
1AX06	Atlantic
1AX07	Black Green
1AX08	Adriatic
1AX09	Coffee
1AX10	Charcoal
1AX11	Umber
1AX12	Magenta
1AX13	Bittersweet
1AX14	Sunflower

Capri - Geiger Textile	
Ancillary	
55" wide	
36% cotton	
32% acrylic	
24% rayon	
8% polyester	
PFOA-Free stain resistant finish	
Acrylic backing	
17201	Snow
17202	Stone
17203	Trench
17204	Graphite
17205	Anthracite
17206	Light Silver
17207	Russet
17208	Chestnut Brown
17209	Sand
17210	Sterling
17211	Cobalt
17212	Ink

Milaner - Geiger Textile	
Ancillary	
55" wide	
56% wool, 10% acrylic	
10% alpaca, 10% cotton	
8% nylon, 6% rayon	
17101	Linen
17102	Flax
17103	Bark
17104	Deep Navy
17105	Charcoal
17106	Medium Grey
17107	Ash
17108	Crimson

Panno di Dolce - Geiger Textile	
Ancillary	
55" wide	
65% wool	
20% nylon	
15% alpaca	
1AV01	Fog
1AV02	Dune
1AV03	Trench
1AV04	Flannel
1AV05	Charcoal
1AV06	Umber
1AV07	Deep Navy
1AV08	Graphite
1AV09	Orange
1AV10	Pink
1AV11	Deep Red
1AV12	Bright Green
1AV13	Cerulean Blue
1AV14	Deep Cerulean Blue

Pristina - Geiger Textile	
Ancillary	
55" wide	
37% wool	
25% viscose	
17% acrylic	
15% cotton	
6% polyester	
PFOA-Free stain resistant	
1JC01	Dove
1JC02	Goldstone
1JC03	Daybreak
1JC04	Pumice
1JC05	Cappuccino
1JC06	Gunmetal
1JC07	Caspian
1JC08	Café Noir

Resca - Geiger Textile	
Ancillary	
56" wide	
75% wool	
10% linen	
8% nylon	
7% alpaca	
1AW01	Fog
1AW02	Dune
1AW03	Trench
1AW04	Flannel
1AW05	Umber
1AW06	Bordeaux

Vesture - Geiger Textile	
Ancillary	
55" wide	
40% wool, 25% polyester	
20% silk, 15% nylon	
PFOA-Free stain resistant finish	
21701	Ashen
21702	Dark Blush
21703	Dusk
21704	Medium Gray
21705	Twilight

Wool Epinglé - Geiger Textile	
Ancillary	
54" wide	
100% wool	
16201	Swiss Red
16202	Orange
16203	Light Chestnut Brown
16204	Light Burnt Umber
16205	Pale Native Umber
16207	Grey
16208	Natier Blue
16209	Deep Cerulean Blue
16210	Anthracite
16211	Natural Native Umber
16212	Chestnut Brown

Wool Tweed - Geiger Textile	
Ancillary	
54" wide	
80% wool, 20% nylon	
16601	Trench
16602	Pewter
16603	Ruby
16604	Blue Gray
16605	Navy
16606	Umber
16607	Charcoal

- Maharam textiles are on assigned lead times [A](#).
- Fabric numbers are listed as Herman Miller fabric number/Maharam fabric number.

# Textile Colors

continued

## Price Category 8

Breeze - Maharam	
Workspaces	
120" wide	
65% FR polyester	
35% post-consumer recycled	
FR polyester	
1QG06/283817-006	Meteorite
1QG09/283817-009	Serum

Luce - Maharam	
Ancillary/Seating	
59" wide	
75% post-consumer recycled wool	
20% polyester	
5% nylon	
ZLU01/466566-001	Brioche
ZLU02/466566-002	Blanched
ZLU03/466566-003	Relic
ZLU04/466566-004	Sinter
ZLU05/466566-005	Scoria
ZLU06/466566-006	Austere
ZLU07/466566-007	Pigment
ZLU08/466566-008	Alkali
ZLU09/466566-009	Tidal
ZLU10/466566-010	Imbue
ZLU11/466566-011	Reservoir
ZLU12/466566-012	Brine
ZLU13/466566-013	Undertone
ZLU14/466566-014	Prelude
ZLU15/466566-015	Submerge
ZLU16/466566-016	Cypress
ZLU17/466566-017	Awash

Luce continued	
ZLU18/466566-018	Adriatic
ZLU19/466566-019	Province
ZLU20/466566-020	Virescent
ZLU21/466566-021	Nettle
ZLU22/466566-022	Agrarian
ZLU23/466566-023	Serpentine
ZLU24/466566-024	Laurel
ZLU25/466566-025	Clarion
ZLU26/466566-026	Gooseberry
ZLU27/466566-027	Swelter
ZLU28/466566-028	Etruscan
ZLU29/466566-029	Coulis
ZLU30/466566-030	Rubescient
ZLU31/466566-031	Akoya
ZLU32/466566-032	Radiant
ZLU33/466566-033	Regent
ZLU34/466566-034	Spectral
ZLU35/466566-035	Thistle

Tempo – Maharam	
Ancillary	
55" wide	
100% polyester	
Polyester backing	
26S01/466589-001	Chert
26S02/466589-002	Grandstand
26S03/466589-003	Restful
26S04/466589-004	Battleship
26S05/466589-005	Lavender
26S06/466589-006	Dockside
26S07/466589-007	Swimming
26S08/466589-008	Ambience
26S09/466589-009	Adornment
26S10/466589-010	Remedy
26S11/466589-011	Fang
26S12/466589-012	Inshore
26S13/466589-013	Camouflage
26S14/466589-014	Mesclun
26S15/466589-015	Farmland
26S16/466589-016	Tadpole
26S17/466589-017	Purr
26S18/466589-018	Snowman
26S19/466589-019	Beehive
26S20/466589-020	Gazelle
26S21/466589-021	Shiitake
26S22/466589-022	Flaxseed
26S23/466589-023	Crawdad
26S24/466589-024	Flowery
26S25/466589-025	Burgundy
26S26/466589-026	Rangoli
26S27/466589-027	Petunia
26S28/466589-028	Campsite

Whim	
Ancillary	
54" wide	
34% viscose	
33% acrylic	
17% wool	
8% polyester	
9DA01	Warm White
9DA02	Rye
9DA03	Mustard Seed
9DA04	Terra Cotta
9DA05	Fir
9DA06	Navy
9DA07	Pewter

Appendix: Textile Colors

- Maharam textiles are on assigned lead times <sup>A</sup>.
- Fabric numbers are listed as Herman Miller fabric number/Maharam fabric number.

# Textile Colors

continued

## Price Category 9

Appendix: Textile Colors

Alpaca Mohair - Geiger Textile	
Ancillary	
54" wide	
63% alpaca	
21% cotton, 16% polyester	
18510	Dune
18511	Trench
18512	Vicuna
18570	Sepia
18571	Umber
18580	Fog
18581	Flannel
18582	Charcoal

Campana – Maharam	
Ancillary/Seating	
59" wide	
85% wool	
15% nylon	
ZC001/466571-001	Viverine
ZC002/466571-002	Lithograph
ZC003/466571-003	Moonscape
ZC004/466571-004	Brevity
ZC005/466571-005	Linear
ZC006/466571-006	Hinterland
ZC007/466571-007	Mural
ZC008/466571-008	Sloe
ZC009/466571-009	Interstellar
ZC010/466571-010	Mythology
ZC011/466571-011	Scintillate
ZC012/466571-012	Succession
ZC013/466571-013	Visceral
ZC014/466571-014	Hemisphere
ZC015/466571-015	Troposphere
ZC016/466571-016	Skye
ZC017/466571-017	Seaward
ZC018/466571-018	Nemorous
ZC019/466571-019	Allegory
ZC020/466571-020	Olivine
ZC021/466571-021	Reptilian
ZC022/466571-022	Basil
ZC023/466571-023	Fanleaf
ZC024/466571-024	Beachgrass
ZC025/466571-025	Hayfield

Campana continued	
ZC026/466571-026	Freesia
ZC027/466571-027	Rhodium
ZC028/466571-028	Undercoat
ZC029/466571-029	Airbrush
ZC030/466571-030	Shellfish
ZC031/466571-031	Mojave
ZC032/466571-032	Renaissance
ZC033/466571-033	Decoupage
ZC034/466571-034	Outback
ZC035/466571-035	Millipede

Gemma – Maharam	
Ancillary/Seating	
55" wide	
85% wool	
15% nylon	
ZGE01/466568-001	Crinoline
ZGE02/466568-002	Angelic
ZGE03/466568-003	Savory
ZGE04/466568-004	Honeycomb
ZGE05/466568-005	Gilded
ZGE06/466568-006	Paddleboat
ZGE07/466568-007	Stagecoach
ZGE08/466568-008	Waterbuck
ZGE09/466568-009	Earnest
ZGE10/466568-010	Auric
ZGE11/466568-011	Carmine
ZGE12/466568-012	Serape
ZGE13/466568-013	Ferric
ZGE14/466568-014	Canyon
ZGE15/466568-015	Alembic
ZGE16/466568-016	Patio
ZGE17/466568-017	Sorrel
ZGE18/466568-018	Root

Gemma continued	
ZGE19/466568-019	Mansion
ZGE20/466568-020	Buff
ZGE21/466568-021	Starch
ZGE22/466568-022	Dawn
ZGE23/466568-023	Countryside
ZGE24/466568-024	Dewy
ZGE25/466568-025	Reliquary
ZGE26/466568-026	Deluge
ZGE27/466568-027	Overlay
ZGE28/466568-028	Electron
ZGE29/466568-029	Sheath
ZGE30/466568-030	Quietude
ZGE31/466568-031	Jargon
ZGE32/466568-032	Powder
ZGE33/466568-033	Tide
ZGE34/466568-034	Outwash
ZGE35/466568-035	Enamored
ZGE36/466568-036	Smitten
ZGE37/466568-037	Revere
ZGE38/466568-038	Mangosteen
ZGE39/466568-039	Allium
ZGE40/466568-040	Immense
ZGE41/466568-041	Chamber
ZGE42/466568-042	Cosmos
ZGE43/466568-043	Inkling
ZGE44/466568-044	Rainwater
ZGE45/466568-045	Shade
ZGE46/466568-046	Pendant
ZGE47/466568-047	Axial
ZGE48/466568-048	Fervent
ZGE49/466568-049	Legacy
ZGE50/466568-050	Caliber
ZGE51/466568-051	Temple
ZGE52/466568-052	Evenfall

Jasper - Maharam	
Ancillary/Seating	
53" wide	
55% wool	
27% solution-dyed nylon	
18% cotton	
ZJA01/466563-001	Thrill
ZJA02/466563-002	Anise
ZJA03/466563-003	Grapefruit
ZJA04/466563-004	Lifeguard
ZJA05/466563-005	Heartfelt
ZJA06/466563-006	Corsage
ZJA07/466563-007	Earthenware
ZJA08/466563-008	Bear
ZJA09/466563-009	Firelight
ZJA10/466563-010	Dreamcatcher
ZJA11/466563-011	Bobcat
ZJA12/466563-012	Glacial
ZJA13/466563-013	Vaporize
ZJA14/466563-014	Trapdoor
ZJA15/466563-015	Halcyon
ZJA16/466563-016	Observatory
ZJA17/466563-017	Steamboat
ZJA18/466563-018	Aquathlon
ZJA19/466563-019	Cloudless
ZJA20/466563-020	Briny
ZJA21/466563-021	Magical
ZJA22/466563-022	Picnic
ZJA23/466563-023	Herbage
ZJA24/466563-024	Pasture
ZJA25/466563-025	Courtyard
ZJA26/466563-026	Leapfrog

Price category 9 continued on next page

- Maharam textiles are on assigned lead times [A](#).
- Fabric numbers are listed as Herman Miller fabric number/Maharam fabric number.

# Textile Colors

continued

## Price Category 9

continued

### Leather

Ancillary/Seating  
approx. 50 sq. ft. per hide  
100% leather

2101	Ivory
2109	Black *
2110	Smoke
2111	Graphite
2112	Khaki
2113	Rattan
2114	Truffle
2115	Alpine
2116	Haze
2117	Sable Grey
2118	Dark Mineral **
2119	Dark Carbon ***
2120	Cranberry
2121	Deep Sea

\* Armpad color available on Aeron® Chair, Graphite.

\*\* Armpad color available on Aeron Chair, Mineral.

\*\*\* Armpad color available on Aeron Chair, Carbon.

## Price Category 10

### Bristol Leather - Geiger Textile

Ancillary  
approx. 55 sq. ft. per hide  
100% leather

5-507	Black
5-511	Putty
5-519	Hunter
5-520	White
5-521	Ivory
5-522	Parchment
5-537	Caribbean
5-546	Pumice
5-547	Smoke
5-548	Charcoal
5-549	Dark Shale
5-556	Downtown Grey
5-557	City Night
5-559	Ash Grey
5-563	Champagne
5-564	Chestnut Brown
5-565	Dark Sienna
5-566	Earthen
5-567	Desert
5-568	British Green
5-579	Paris Blue
5-583	Atlantic
5-592	Camel
5-594	Taupe
5-597	Pure *
5-598	Cream
5-600	Midnight Blue
5-603	Sangria
5-604	Swiss Red
5-605	Nordic Yellow
5-606	Sky Grey
5-608	Natural

\* Color not available on Saiba Chair.

### Firma – Maharam

Ancillary/Seating  
55" wide  
78% wool  
22% nylon

3KH01/466582-001	Wrath
3KH02/466582-002	Pantomime
3KH03/466582-003	Shaded
3KH04/466582-004	Prologue
3KH05/466582-005	Framework
3KH06/466582-006	Railroad
3KH07/466582-007	Grommet
3KH08/466582-008	Lunisolar
3KH09/466582-009	Snowpack
3KH10/466582-010	Coldsnap
3KH11/466582-011	Sealift
3KH12/466582-012	Brood
3KH13/466582-013	Intertidal
3KH14/466582-014	Confide
3KH15/466582-015	Secluded
3KH16/466582-016	Leisure
3KH17/466582-017	Portfolio
3KH18/466582-018	Strato
3KH19/466582-019	Fogbow
3KH20/466582-020	Snowcone
3KH21/466582-021	Kazoo
3KH22/466582-022	Esteem
3KH23/466582-023	Mackerel
3KH24/466582-024	Brooch
3KH25/466582-025	Caesious
3KH26/466582-026	Islet
3KH27/466582-027	Biosphere
3KH28/466582-028	Hilltop
3KH29/466582-029	Arboreal
3KH30/466582-030	Lineage
3KH31/466582-031	Comfrey
3KH32/466582-032	Circe
3KH33/466582-033	Ecosystem
3KH34/466582-034	Knack
3KH35/466582-035	Watt
3KH36/466582-036	Epiphany
3KH37/466582-037	Gamma
3KH38/466582-038	Taxicab
3KH39/466582-039	Varietal
3KH40/466582-040	Tale

### Firma continued

3KH41/466582-041	Elemental
3KH42/466582-042	Cuff
3KH43/466582-043	Emu
3KH44/466582-044	Tempeh
3KH45/466582-045	Tephra
3KH46/466582-046	Shellac
3KH47/466582-047	Emporium
3KH48/466582-048	Keratin
3KH49/466582-049	Camwood
3KH50/466582-050	Gloam
3KH51/466582-051	Novela
3KH52/466582-052	Fruitpunch
3KH53/466582-053	Decant
3KH54/466582-054	Milkshake
3KH55/466582-055	Metaphysic
3KH56/466582-056	Carafe
3KH57/466582-057	Voyager
3KH58/466582-058	Tenebrous
3KH59/466582-059	Subtext
3KH60/466582-060	Silent

### Gemma Multi – Maharam

Ancillary/Seating	
55" wide	
85% wool	
15% nylon	
ZGF01/466569-001	Andromeda
ZGF02/466569-002	Dappled
ZGF03/466569-003	Lyra
ZGF04/466569-004	Flaunt
ZGF05/466569-005	Celluloid
ZGF06/466569-006	Hydrozoa
ZGF07/466569-007	Firefly
ZGF08/466569-008	Pisces
ZGF09/466569-009	Strath
ZGF10/466569-010	Erosion
ZGF11/466569-011	Cabaret
ZGF12/466569-012	Candytuft
ZGF13/466569-013	Juice
ZGF14/466569-014	Fairground
ZGF15/466569-015	Copperplate
ZGF16/466569-016	Sunbird
ZGF17/466569-017	Cinematic
ZGF18/466569-018	Clairvoyant

- Maharam textiles are on assigned lead times [A](#).
- Fabric numbers are listed as Herman Miller fabric number/Maharam fabric number.

Price category 10 continued on next page

# Textile Colors

continued

## Price Category 10

continued

Appendix: Textile Colors

Gemma Multi continued	Gemma Multi Reverse – Maharam	Gemma Multi Reverse continued	Gemma Multi Reverse continued
ZGF19/466569-019 Crocus	Ancillary/Seating	ZGF78/466569-121 Roulette	ZGFA0/466569-143 Percolate
ZGF20/466569-020 Memoir	55" wide	Reverse	Reverse
ZGF21/466569-021 Roulette	85% wool	ZGF79/466569-122 Voltaic	ZGFA1/466569-144 Motor
ZGF22/466569-022 Voltaic	15% nylon	Reverse	Reverse
ZGF23/466569-023 Compote	ZGF58/466569-101 Andromeda	ZGF80/466569-123 Compote	ZGFA2/466569-145 Unicorn
ZGF24/466569-024 Lambent	Reverse	Reverse	Reverse
ZGF25/466569-025 Twister	ZGF59/466569-102 Dappled	ZGF81/466569-124 Lambent	ZGFA3/466569-146 Lobster
ZGF26/466569-026 Chronicle	Reverse	Reverse	Reverse
ZGF27/466569-027 Sidereal	ZGF60/466569-103 Lyra	ZGF82/466569-125 Twister	ZGFA4/466569-147 Rhododendron
ZGF28/466569-028 Tanzanite	Reverse	Reverse	Reverse
ZGF29/466569-029 Crystalize	ZGF61/466569-104 Flaunt	ZGF83/466569-126 Chronicle	ZGFA5/466569-148 Taffy
ZGF30/466569-030 Chromium	Reverse	Reverse	Reverse
ZGF31/466569-031 Pallium	ZGF62/466569-105 Celluloid	ZGF84/466569-127 Sidereal	ZGFA6/466569-149 Rishi
ZGF32/466569-032 Spectre	Reverse	Reverse	Reverse
ZGF33/466569-033 Courgette	ZGF63/466569-106 Hydrozoa	ZGF85/466569-128 Tanzanite	ZGFA7/466569-150 Backcountry
ZGF34/466569-034 Viper	Reverse	Reverse	Reverse
ZGF35/466569-035 Sunlit	ZGF64/466569-107 Firefly	ZGF86/466569-129 Crystalize	ZGFA8/466569-151 Buckthorn
ZGF36/466569-036 Heavenly	Reverse	Reverse	Reverse
ZGF37/466569-037 Vernal	ZGF65/466569-108 Pisces	ZGF87/466569-130 Chromium	ZGFA9/466569-152 Coniferous
ZGF38/466569-038 Cress	Reverse	Reverse	Reverse
ZGF39/466569-039 Limn	ZGF66/466569-109 Strath	ZGF88/466569-131 Pallium	ZGFB0/466569-153 Delphic
ZGF40/466569-040 Horseradish	Reverse	Reverse	Reverse
ZGF41/466569-041 Shandy	ZGF67/466569-110 Erosion	ZGF89/466569-132 Spectre	ZGFB1/466569-154 Hieroglyph
ZGF42/466569-042 Granary	Reverse	Reverse	Reverse
ZGF43/466569-043 Percolate	ZGF68/466569-111 Cabaret	ZGF90/466569-133 Courgette	ZGFB2/466569-155 Eiderdown
ZGF44/466569-044 Motor	Reverse	Reverse	Reverse
ZGF45/466569-045 Unicorn	ZGF69/466569-112 Candytuft	ZGF91/466569-134 Viper	ZGFB3/466569-157 Tanager
ZGF46/466569-046 Lobster	Reverse	Reverse	Reverse
ZGF47/466569-047 Rhododendron	ZGF70/466569-113 Juice	ZGF92/466569-135 Sunlit	
ZGF48/466569-048 Taffy	Reverse	Reverse	
ZGF49/466569-049 Rishi	ZGF71/466569-114 Fairground	ZGF93/466569-136 Heavenly	
ZGF50/466569-050 Backcountry	Reverse	Reverse	
ZGF51/466569-051 Buckthorn	ZGF72/466569-115 Copperplate	ZGF94/466569-137 Vernal	
ZGF52/466569-052 Coniferous	Reverse	Reverse	
ZGF53/466569-053 Delphic	ZGF73/466569-116 Sunbird	ZGF95/466569-138 Cress	
ZGF54/466569-054 Hieroglyph	Reverse	Reverse	
ZGF55/466569-055 Eiderdown	ZGF74/466569-117 Cinematic	ZGF96/466569-139 Limn	
ZGF56/466569-056 Sandbar	Reverse	Reverse	
ZGF57/466569-057 Tanager	ZGF75/466569-118 Clairvoyant	ZGF97/466569-140 Horseradish	
	Reverse	Reverse	
	ZGF76/466569-119 Crocus	ZGF98/466569-141 Shandy	
	Reverse	Reverse	
	ZGF77/466569-120 Memoir	ZGF99/466569-142 Granary	
	Reverse	Reverse	

Petra - Maharam
Ancillary/Seating
55" wide
70% wool
19% linen
11% nylon
ZP401/466580-001 Hieroglyph
ZP402/466580-002 Interior
ZP403/466580-003 Samovar
ZP404/466580-004 Calcite
ZP405/466580-005 Silversmith
ZP406/466580-006 Rivet
ZP407/466580-007 Carpolite
ZP408/466580-008 Bonbon

- Maharam textiles are on assigned lead times A.
- Fabric numbers are listed as Herman Miller fabric number/Maharam fabric number.

Price category 10 continued on next page



# Textile Colors

continued

## Price Category 10

continued

<b>Petra continued</b>	
ZP409/466580-009	Dreamy
ZP410/466580-010	Bejewel
ZP411/466580-011	Sashimi
ZP412/466580-012	Spirula
ZP413/466580-013	Chalet
ZP414/466580-014	Reindeer
ZP415/466580-015	Nostalgia
ZP416/466580-016	Trove
ZP417/466580-017	Narcissus
ZP418/466580-018	Yurt
ZP419/466580-019	Congee
ZP420/466580-020	Genepy
ZP421/466580-021	Herbaceous
ZP422/466580-022	Paddock
ZP423/466580-023	Precious
ZP424/466580-024	Biome
ZP425/466580-025	Tinted
ZP426/466580-026	Pelagic
ZP427/466580-027	Bluebill
ZP428/466580-028	Chicory
ZP429/466580-029	Eaglet
ZP430/466580-030	Permafrost
ZP431/466580-031	Atlantic
ZP432/466580-032	Airstream
ZP433/466580-033	Debonair

<b>Superweave - Maharam</b>	
Ancillary	
54" wide	
75% polyester	
25% cotton	
Z2203/466241-005	Sienna
Z2204/466241-002	Ochre
Z2207/466241-004	Marine
Z2208/466241-003	Olive
Z2220/466241-001	Orange and Pink

## Price Category 11

<b>Prone Leather - Maharam</b>	
Ancillary	
approx. 50 sq. ft. per hide	
100% leather	
protective top coat	
1NX01/700020-001	Lotus
1NX02/700020-002	Timbre
1NX03/700020-003	Essence
1NX04/700020-004	Script
1NX05/700020-005	Gambit
1NX06/700020-006	Obsidian
1NX07/700020-007	Sail
1NX09/700020-009	Vine
1NX10/700020-010	Yarrow
1NX13/700020-013	Balsa
1NX14/700020-014	Shore
1NX15/700020-015	Bricolage
1NX17/700020-017	Ledge
1NX19/700020-019	Mantra
1NX20/700020-020	Java
1NX21/700020-021	Lute
1NX22/700020-022	Glow
1NX23/700020-023	Hickory

<b>Tenera Leather - Geiger Textile</b>	
Ancillary	
approx. 55 sq. ft. per hide	
100% leather	
17501	Cement
17502	Marzipan
17503	Sunglow
17504	Raw Sienna
17505	Maple
17506	Poppy
17507	Salsa
17508	Cranberry
17509	Burnt Sienna
17510	Dark Chocolate
17511	Black
17512	Carbon
17513	Sapphire

## Price Category 12-13

No fabrics available at this time.

## Price Category 14

<b>Lanalux - Maharam</b>	
Ancillary	
54" wide	
100% wool	
Z1375/466240-005	Black/White
Z1378/466240-006	Olive/Black
Z1380/466240-001	Natural
Z1383/466240-002	Umber
Z1384/466240-007	Natural/Black
Z1386/466240-003	Orange
Z1387/466240-004	Crimson

Appendix: Textile Colors

- Maharam textiles are on assigned lead times [A](#).
- Fabric numbers are listed as Herman Miller fabric number/Maharam fabric number.

# Textile Colors

continued

## Price Category A

No fabrics available at this time.

## Price Category B

### Medium – Maharam

Ancillary/Seating/Workspaces  
54" wide  
100% polyester

VM01/463490-001	Raven
VM02/463490-002	Smoke
VM03/463490-003	Alloy
VM04/463490-004	Flax
VM07/463490-007	Espresso
VM14/463490-014	Laser
VM16/463490-016	Port
VM22/463490-022	Marina
VM29/463490-029	Pistachio
VM32/463490-032	Prospect
VM36/463490-036	Delight
VM39/463490-039	Nautical
VM40/463490-040	Pool
VM44/463490-044	Washed
VM45/463490-045	Sculpture
VM46/463490-046	Thatched
VM47/463490-047	Hike
VM48/463490-048	Tangle
VM49/463490-049	Pacific
VM50/463490-050	Cosmic
VM51/463490-051	Cascade
VM52/463490-052	Blackberry
VM53/463490-053	Nasturtium

### Messenger – Maharam

Ancillary/Seating/Workspaces  
54" wide  
78% post-industrial recycled polyester  
15% polyester, 7% nylon

TI07/458640-007	Shadow
TI08/458640-008	Bayou *
TI24/458640-024	Poppy
TI25/458640-025	Mao
TI29/458640-029	Onyx *
TI31/458640-031	Cloud *
TI38/458640-038	Depth *
TI40/458640-040	Nile *
TI41/458640-041	Azure *
TI45/458640-045	Cactus *
TI46/458640-046	Ice * **
TI48/458640-048	Neon
TI50/458640-050	Hydrangea
TI53/458640-053	Tangelo
TI54/458640-054	Lumine *
TI58/458640-058	Snow ** ***
TI60/458640-060	Peridot
TI61/458640-061	Capri *
TI62/458640-062	Ultramarine
TI63/458640-063	Squall
TI66/458640-066	Cassis
TI67/458640-067	Aster

### Messenger continued

TI69/458640-069	Cherry
TI70/458640-070	Vibrant
TI71/458640-071	Satsuma *
TI72/458640-072	Maize
TI76/458640-076	Fossil
TI77/458640-077	Ash
TI78/458640-078	Tusk
TI79/458640-079	Oyster **
TI81/458640-081	Husk
TI84/458640-084	Robust
TI85/458640-085	Beyond
TI86/458640-086	Voyage *
TI87/458640-087	Everglade
TI89/458640-089	Blanch ***
TI90/458640-090	Longspur
TI91/458640-091	Vireo
TI92/458640-092	Dipper
TI93/458640-093	Gale
TI94/458640-094	Hunter
TI95/458640-095	Lime
TI96/458640-096	Apple
TI97/458640-097	Krill
TI98/458640-098	Catalyst

\* Colors available on 20-day lead time.

\*\* Colors not available on Eames Molded Fiberglass and Molded Plastic Side Chairs.

\*\*\* Colors not available on Valor Seating.

- Maharam textiles are on assigned lead times [A](#).
- Fabric numbers are listed as Herman Miller fabric number/Maharam fabric number.

# Textile Colors

continued

## Price Category C

Manner - Maharam	
Ancillary/Seating/Workspaces	
54" wide	
65% post-industrial recycled polyester	
35% post-consumer recycled polyester	
Z2701/466177-001	Magic
Z2702/466177-002	Carob
Z2703/466177-003	Porpoise
Z2704/466177-004	Flint
Z2705/466177-005	Hush *
Z2706/466177-006	Nuance
Z2711/466177-011	Ember
Z2712/466177-012	Wagon
Z2713/466177-013	Ablaze
Z2714/466177-014	Peel
Z2716/466177-016	Butterscotch
Z2717/466177-017	Harvest
Z2720/466177-020	Parakeet
Z2722/466177-022	Aquatic
Z2723/466177-023	Cottage
Z2724/466177-024	Dahlia
Z2725/466177-025	Vivid
Z2726/466177-026	Basin
Z2727/466177-027	Schooner
Z2728/466177-028	Slope
Z2729/466177-029	Silverpoint
Z2730/466177-030	Lattice
Z2731/466177-031	Smoky
Z2732/466177-032	Magnetic
Z2733/466177-033	Woad
Z2734/466177-034	Resolute
Z2735/466177-035	Cruise
Z2736/466177-036	Atmospheric
Z2737/466177-037	Cloudburst
Z2738/466177-038	Tidewater
Z2739/466177-039	Firth
Z2740/466177-040	Oceanside
Z2741/466177-041	Grandeur
Z2742/466177-042	Comfort
Z2743/466177-043	Dill
Z2744/466177-044	Poplar
Z2745/466177-045	Citronella
Z2746/466177-046	Passerine

Manner continued	
Z2747/466177-047	Southwest
Z2748/466177-048	Roseate
Z2749/466177-049	Charisma
Z2750/466177-050	Siltstone
Z2751/466177-051	Kimono
Z2752/466177-052	Valiant
Z2753/466177-053	Baroness
* Color not available on Eames Aluminum Group, Executive Chairs, Upholstered Molded Plywood Chairs, and Sofa Compact.	

Merit - Maharam	
Ancillary/Seating	
54" wide	
76% post-industrial recycled polyester	
24% polyester	
PFOA-Free stain resistant	
88Z01/466444-001	Trickle
88Z02/466444-002	Beluga
88Z03/466444-003	Gunmetal
88Z04/466444-004	Blackout
88Z05/466444-005	Superior
88Z06/466444-006	Ocean
88Z07/466444-007	Highborn
88Z08/466444-008	Immersed
88Z09/466444-009	Rainfall
88Z10/466444-010	Blizzard
88Z11/466444-011	Poolside
88Z12/466444-012	Steel
88Z13/466444-013	Zircon
88Z14/466444-014	Ripple
88Z15/466444-015	Aegean
88Z16/466444-016	Armada
88Z17/466444-017	Hedera
88Z18/466444-018	Rainforest
88Z19/466444-019	Gator
88Z20/466444-020	Vineyard
88Z21/466444-021	Pine
88Z22/466444-022	Kiwi
88Z23/466444-023	Kookaburra

Merit continued	
88Z24/466444-024	Bellini
88Z25/466444-025	Sunflower
88Z26/466444-026	Sandstorm
88Z27/466444-027	Mudder
88Z28/466444-028	Lynx
88Z29/466444-029	Farro
88Z30/466444-030	Manila
88Z31/466444-031	Starfish
88Z32/466444-032	Brass
88Z33/466444-033	Arrow
88Z34/466444-034	Gelato
88Z35/466444-035	Nectarine
88Z36/466444-036	Macaron
88Z37/466444-037	Alert
88Z38/466444-038	Goji
88Z39/466444-039	Cabernet
88Z40/466444-040	Eggplant
88Z41/466444-041	Hawk
88Z42/466444-042	Stag
88Z43/466444-043	Overcast

Metric - Maharam	
Ancillary/Seating/Workspaces	
54" wide	
51% post-industrial recycled polyester	
49% polyester	
Z302/466014-002	Fog
Z303/466014-003	Fleece
Z312/466014-012	Cardinal
Z313/466014-013	Lava
Z318/466014-018	Pollen
Z320/466014-020	Alligator
Z323/466014-023	Tar
Z324/466014-024	Anchor
Z326/466014-026	Admiral
Z327/466014-027	Seaport
Z328/466014-028	Scuba
Z329/466014-029	Skate
Z330/466014-030	Hopscotch
Z331/466014-031	Film
Z332/466014-032	Whale
Z333/466014-033	Downpour
Z334/466014-034	Midday

Metric continued	
Z335/466014-035	Talisman
Z336/466014-036	Hedgerow
Z337/466014-037	Snorkel
Z338/466014-038	Highway
Z339/466014-039	Canary
Z340/466014-040	Sunny
Z341/466014-041	Aztec
Z342/466014-042	Fruit
Z343/466014-043	Galah
Z344/466014-044	Kiln
Z345/466014-045	Moth

Murmur - Maharam	
Ancillary/Seating	
55" wide	
100% polyester	
PFOA-Free stain resistant	
8EY01/466446-001	Gust
8EY02/466446-002	Harmonica
8EY03/466446-003	Canopy
8EY04/466446-004	Dim
8EY05/466446-005	Peppercorn
8EY06/466446-006	Cauldron
8EY07/466446-007	Conquer
8EY08/466446-008	Rapids
8EY09/466446-009	Seawater
8EY10/466446-010	Baby
8EY11/466446-011	Elderberry
8EY12/466446-012	Iceberg
8EY13/466446-013	Tallgrass
8EY14/466446-014	Underground
8EY15/466446-015	Biome
8EY16/466446-016	Cask
8EY17/466446-017	Argan
8EY18/466446-018	Sundown
8EY19/466446-019	Ignite
8EY20/466446-020	Sultry
8EY21/466446-021	Sangria

- Maharam textiles are on assigned lead times [A](#).
- Fabric numbers are listed as Herman Miller fabric number/Maharam fabric number.

# Textile Colors

continued

Appendix: Textile Colors

## Price Category D

Bluff - Maharam
Ancillary/Seating
54" wide
100% polyurethane
Ink-resistant protective top coat
Polyester backing
81801/466489-001 Loom
81802/466489-002 Helm
81803/466489-003 Cruller
81804/466489-004 Folklore
81805/466489-005 Beguile
81806/466489-006 Sherpa
81807/466489-007 Teleport
81808/466489-008 Annex
81809/466489-009 Lorimer
81810/466489-010 Cinema
81811/466489-011 Zip
81812/466489-012 Coach
81813/466489-013 Supernova
81814/466489-014 Pirate
81815/466489-015 Academy
81816/466489-016 Disco
81817/466489-017 Equator
81818/466489-018 Brink
81819/466489-019 Scene
81820/466489-020 Petrichor
81821/466489-021 Exotic
81822/466489-022 Fauna
81823/466489-023 Calabash
81824/466489-024 Fuscous
81825/466489-025 Wildling
81826/466489-026 Blitz
81827/466489-027 Allspice
81828/466489-028 Lumos
81829/466489-029 Pilot
81830/466489-030 Jukebox
81831/466489-031 Dugout
81832/466489-032 Claret
81833/466489-033 Flamenco

Mode – Maharam
Ancillary/Seating/Workspaces
54" wide
80% post-consumer recycled polyester
20% polyester
PFOA-Free stain resistant finish
ZMD01/466337-001 Stroll
ZMD02/466337-002 Intaglio
ZMD03/466337-003 Ominous
ZMD04/466337-004 Machine
ZMD05/466337-005 Talus
ZMD06/466337-006 Marsh
ZMD07/466337-007 Hollow
ZMD08/466337-008 Sycamore
ZMD09/466337-009 Clavicle
ZMD10/466337-010 Billygoat
ZMD11/466337-011 Spindle
ZMD12/466337-012 Lemon
ZMD13/466337-013 Oxeye
ZMD14/466337-014 Henge
ZMD15/466337-015 Goldenrod
ZMD16/466337-016 Cottontail
ZMD17/466337-017 Lioness
ZMD18/466337-018 Oriole
ZMD19/466337-019 Rust
ZMD20/466337-020 Carotene
ZMD21/466337-021 Blush
ZMD22/466337-022 Vermilion
ZMD23/466337-023 Alder
ZMD24/466337-024 Kermes
ZMD25/466337-025 Barberrry
ZMD26/466337-026 Petal
ZMD27/466337-027 Valley
ZMD28/466337-028 Odyssey
ZMD29/466337-029 Ballpoint
ZMD30/466337-030 Toile
ZMD31/466337-031 Paradise

Mode continued
ZMD32/466337-032 Angelfish
ZMD33/466337-033 Denim
ZMD34/466337-034 Crush
ZMD35/466337-035 Jetty
ZMD36/466337-036 Saltwater
ZMD37/466337-037 Mallard
ZMD38/466337-038 Celtic
ZMD39/466337-039 Eucalyptus
ZMD40/466337-040 Bonsai
ZMD41/466337-041 Sassafras
ZMD42/466337-042 Yucca
ZMD43/466337-043 Lichen

Spiral - Maharam
Workspaces
66" wide
100% polyester
ZS301/901882-001 Chalk
ZS303/901882-003 Wheat
ZS304/901882-004 Mica
ZS305/901882-005 Pavement
ZS306/901882-006 Graphite

## Price Category E

Article – Maharam
Ancillary/Seating
54" wide
100% vinyl
ZAT08/458600-008 Marina
ZAT13/458600-013 Flume
ZAT14/458600-014 Storm
ZAT15/458600-015 Toast
ZAT19/458600-019 Fleece
ZAT22/458600-022 Stone
ZAT26/458600-026 Mercury
ZAT29/458600-029 Bluegrass
ZAT31/458600-031 Truffle
ZAT32/458600-032 Gravel
ZAT33/458600-033 Value
ZAT34/458600-034 Tint
ZAT35/458600-035 Snowflake
ZAT36/458600-036 Chalice
ZAT37/458600-037 Trail
ZAT38/458600-038 Pyramid
ZAT39/458600-039 Desert
ZAT40/458600-040 Lei
ZAT41/458600-041 Rouge
ZAT42/458600-042 Karma
ZAT43/458600-043 Opal
ZAT44/458600-044 Periwinkle
ZAT45/458600-045 Vampire
ZAT46/458600-046 Surf
ZAT47/458600-047 Plumage

Price category E continued on next page

- Maharam textiles are on assigned lead times [A](#).
- Fabric numbers are listed as Herman Miller fabric number/Maharam fabric number.

# Textile Colors

continued

## Price Category E

continued

Flock - Maharam
Workspaces
63" wide
100% polyester
ZF301/901892-001 Calm
ZF302/901892-002 Course
ZF303/901892-003 Highlight
ZF305/901892-005 Poppy
ZF306/901892-006 Briefcase
ZF307/901892-007 Monkstrap
ZF308/901892-008 Quag
ZF309/901892-009 Pistachio
ZF310/901892-010 Froth
ZF311/901892-011 Celadon
ZF312/901892-012 Highsea
ZF313/901892-013 China
ZF314/901892-014 Victorian
ZF315/901892-015 Commander
ZF316/901892-016 Raven
ZF317/901892-017 Aluminum

Micro – Maharam
Ancillary
54" wide
100% vinyl
ZMB01/466099-001 Muslin
ZMB04/466099-004 Basalt
ZMB06/466099-006 Phantom
ZMB07/466099-007 Depth
ZMB08/466099-008 Cottage
ZMB09/466099-009 Hunter
ZMB11/466099-011 Tomatillo
ZMB12/466099-012 Brew
ZMB14/466099-014 Tang
ZMB15/466099-015 Risk

Parallel – Maharam
Workspaces
66" wide
100% recycled polyester
TT03/901180-003 Fog
TT22/901180-022 Sterling
TT23/901180-023 Linen
TT24/901180-024 Pea
TT27/901180-027 Boulder
TT28/901180-028 Stream
TT29/901180-029 Shiitake
TT32/901180-032 Brandy
TT33/901180-033 Crater
TT36/901180-036 Quail

## Price Category F

Apt – Maharam
Ancillary/Seating
54" wide
100% polyurethane/silicone
Ink-resistant protective top coat
Polyester backing
82T12/466392-012 Iris
82T13/466392-013 Nocturnal
82T14/466392-014 Fluid
82T15/466392-015 Eden
82T16/466392-016 Galactic
82T17/466392-017 Shoreline
82T18/466392-018 Jade
82T19/466392-019 Garden
82T20/466392-020 Botanic
82T21/466392-021 Chartreuse
82T23/466392-023 Lyric
82T24/466392-024 Turmeric
82T25/466392-025 Bengal
82T26/466392-026 Core
82T27/466392-027 Mantle
82T28/466392-028 Sorbet
82T32/466392-032 Oak
82T33/466392-033 Castle
82T34/466392-034 Follow
82T35/466392-035 Elixir
82T36/466392-036 Charm
82T37/466392-037 Descend
82T38/466392-009 Sketch
82T39/466392-010 Glacier
82T40/466392-031 Fortress
82T41/466392-030 Lotus
82T42/466392-001 Coconut
82T43/466392-011 Cobblestone
82T44/466392-029 Bloom
82T45/466392-022 Crepe
82T46/466392-006 Hickory
82T47/466392-007 Constellation
82T48/466392-008 Labyrinth
82T49/466392-002 Vibe
82T50/466392-003 Stampede
82T51/466392-004 Lumber
82T52/466392-005 Gingerbread

Brindle - Maharam
Ancillary/Seating
58" wide
100% polyester
PFOA-free stain resistant
Acrylic backing
87101/466418-001 Calico
87102/466418-002 Mauve
87103/466418-003 Torch
87104/466418-004 Burnt
87105/466418-005 Barn
87106/466418-006 Pharaoh
87107/466418-007 Sandbur
87108/466418-008 Jungle
87109/466418-009 Inland
87110/466418-009 Seagrass
87111/466418-009 Watercolor
87112/466418-009 Aquarium
87113/466418-009 Drill

Chime - Maharam
Ancillary
54" wide
100% vinyl
V9M3/465350-003 Morel
V9MB/465350-011 Tranquil
V9M/465350-020 Slate
V9MV/465350-031 Verve
V9MW/465350-032 Understory

Price category F continued on next page

- Maharam textiles are on assigned lead times [A](#).
- Fabric numbers are listed as Herman Miller fabric number/Maharam fabric number.

# Textile Colors

continued

## Price Category F

continued

Conduit - Maharam	
Ancillary/Seating	
58" wide	
100% polyester	
PFOA-free stain resistant	
Acrylic backing	
87Z01/466428-001 Space	
87Z02/466428-002 Syrup	
87Z03/466428-003 Nimbus	
87Z04/466428-004 Greystone	
87Z05/466428-005 Fawn	
87Z06/466428-006 Ghost	
87Z07/466428-007 Caribbean	
87Z08/466428-008 Canal	
87Z09/466428-009 Bonfire	

Emit – Maharam	
Workspaces	
54" wide	
55% post-industrial recycled polyester	
45% post-consumer recycled polyester	
PFOA-free stain resistant	
8EX01/466378-001 Wed	
8EX02/466378-002 Zebra	
8EX03/466378-003 Chiffon	
8EX05/466378-005 Nectar	
8EX06/466378-006 Elk	
8EX08/466378-008 Goldenrod	
8EX09/466378-009 Beached	
8EX10/466378-010 Samba	
8EX11/466378-011 Nest	
8EX14/466378-014 Groove	
8EX17/466378-017 Haiku	
8EX18/466378-018 Bluefin	
8EX19/466378-019 Flow	
8EX20/466378-020 Xenon	
8EX21/466378-021 Artem	
8EX22/466378-022 Zen	
8EX25/466378-025 Limeade	

Instill – Maharam	
Ancillary/Seating	
54" wide	
100% polyurethane	
Ink-resistant protective top coat	
Polyester backing	
74M01/466351-001 Page	
74M02/466351-002 Limestone	
74M03/466351-003 Bobwhite	
74M04/466351-004 Loafer	
74M07/466351-007 Shaker	
74M08/466351-008 Doe	
74M09/466351-009 Ride	
74M10/466351-010 Squire	
74M11/466351-011 Tannin	
74M12/466351-012 Vitis	
74M14/466351-014 Quail	
74M15/466351-015 Brittanica	
74M16/466351-016 Narwhal	
74M18/466351-018 Stowaway	
74M19/466351-019 Koala	
74M20/466351-020 Dorsal	
74M21/466351-021 Stealth	

Keen - Maharam	
Ancillary/Seating	
54" wide	
61% polyester	
39% polyolefin	
PFOA-Free stain resistant	
Acrylic backing	
89N01/466433-001 Gaur	
89N02/466433-002 Lock	
89N03/466433-003 Elk	
89N04/466433-004 Oatmeal	
89N05/466433-005 Lakefront	
89N06/466433-006 Argent	
89N07/466433-007 Coyote	
89N08/466433-008 Eventide	
89N09/466433-009 Canal	
89N10/466433-010 Rosemary	
89N11/466433-011 Herb	
89N12/466433-012 Ruby	
89N13/466433-013 Loganberry	

Ledger – Maharam	
Ancillary/Seating	
54" wide	
100% polyurethane	
V9G1/463770-001 001	
V9G2/463770-002 002	
V9G3/463770-003 003	
V9G4/463770-004 004	
V9GG/463770-017 017	
V9GQ/463770-025 025	
V9GS/463770-026 026	
V9GU/463770-028 028	
V9GV/463770-029 029	
V9GW/463770-030 030	
V9GX/463770-031 031	
V9GY/463770-032 032	
V9G18/463770-042 042	
V9G19/463770-043 043	
V9G20/463770-044 044	
V9G21/463770-045 045	
V9G22/463770-046 046	

Loop - Maharam	
Ancillary/Seating	
57" wide	
48% post-industrial recycled polyester	
26% polyester	
26% post-consumer recycled polyester	
PFOA-Free stain resistant	
Acrylic Backing	
ZLL01/466469-001 Opossum	
ZLL02/466469-002 Foundation	
ZLL03/466469-003 Naval	
ZLL04/466469-004 Buoyant	
ZLL05/466469-005 Mockingbird	
ZLL06/466469-006 Dynasty	
ZLL07/466469-007 Zori	
ZLL08/466469-008 Wildfire	
ZLL09/466469-009 Floral	
ZLL10/466469-010 Penguin	

Multiply - Maharam	
Ancillary/Seating	
58" wide	
57% post-consumer recycled polyester	
43% post-industrial recycled polyester	
PFOA-Free stain resistant	
Acrylic Backing	
82A01/466341-001 Winter	
82A02/466341-002 Encore	
82A03/466341-003 Swing	
82A04/466341-004 Contrast	
82A05/466341-005 Sterling	
82A06/466341-006 Daze	
82A07/466341-007 Sway	
82A08/466341-008 Sailor	
82A09/466341-009 Mystique	
82A10/466341-010 Deep	
82A11/466341-011 Craft	
82A12/466341-012 Town	
82A13/466341-013 Limit	
82A14/466341-014 Tamale	

Pitch - Maharam	
Ancillary	
54" wide	
100% vinyl	
ZPC04/466186-004 Pollen	
ZPC07/466186-007 Apple	
ZPC11/466186-011 Voyage	
ZPC12/466186-012 Turquoise	
ZPC14/466186-014 Inlet	
ZPC15/466186-015 Captain	
ZPC16/466186-016 Aura	
ZPC17/466186-017 Coastal	
ZPC18/466186-018 Fog	
ZPC19/466186-019 Coal	
ZPC21/466186-021 Mulberry	
ZPC24/466186-024 Flame	
ZPC26/466186-026 Tumbleweed	
ZPC29/466186-029 Subtle	
ZPC30/466186-030 Buff	

- Maharam textiles are on assigned lead times **A**.
- Fabric numbers are listed as Herman Miller fabric number/Maharam fabric number.

Price category F continued on next page

# Textile Colors

continued

## Price Category F

continued

Pepper - Maharam
Ancillary/Seating
58" wide
49% polyester
41% post-industrial recycled polyester
10% post-consumer recycled polyester
PFOA-Free stain resistant
Acrylic Backing
8LW01/466486-001 Dojo
8LW02/466486-002 Marengo
8LW03/466486-003 Harlequin
8LW04/466486-004 Pavlova
8LW06/466486-006 Achioté
8LW07/466486-007 Essence
8LW08/466486-008 Genome
8LW09/466486-009 Myriad
8LW10/466486-010 Terrarium

Scuba - Maharam
Ancillary
54" wide
100% polyurethane
V9B1/464930-001 Vanilla
V9B5/464930-005 Chinchilla
V9B6/464930-006 Mahogany
V9B7/464930-007 Jet
V9B8/464930-008 Charcoal
V9B9/464930-009 Dolphin
V9BA/464930-010 Drizzle
V9BC/464930-012 Conifer
V9BD/464930-013 Bottle
V9BF/464930-015 Tourmaline
V9BG/464930-016 Sapphire
V9BH/464930-017 Electric
V9BL/464930-020 Cabernet
V9BM/464930-021 Brick
V9BN/464930-022 Coral
V9BP/464930-023 Autumn

Strum - Maharam
Ancillary/Seating
54" wide
100% polyurethane with silane-based antimicrobial
Z3301/466122-001 Overcast
Z3302/466122-002 Ridge
Z3304/466122-004 Pigeon
Z3307/466122-007 Bur
Z3308/466122-008 Abalone
Z3312/466122-012 Lemongrass

## Price Category G

Compound - Maharam
Ancillary/Seating
54" wide
100% polyurethane with silane-based antimicrobial
ZC201/466196-001 Quartz
ZC203/466196-003 Weathered
ZC204/466196-004 Cliff
ZC205/466196-005 Espresso
ZC206/466196-006 Smolder
ZC207/466196-007 Blaze
ZC208/466196-008 Mandarin
ZC209/466196-009 Maple
ZC210/466196-010 Perennial
ZC211/466196-011 Mountainside
ZC212/466196-012 Tundra
ZC213/466196-013 Manatee
ZC214/466196-014 Marine
ZC215/466196-015 Twilight
ZC216/466196-016 Shelter
ZC217/466196-017 Vessel
ZC218/466196-018 Smoke
ZC219/466196-019 Fog

Fluent Crypton - Maharam
Ancillary
54" wide
52% polyester
31% post-industrial recycled polyester
17% post-consumer recycled polyester
ZFC01/466073-001 Lynx
ZFC12/466073-012 Bayou
ZFC13/466073-013 Bottle
ZFC14/466073-014 Cadet
ZFC22/466073-022 Turf
ZFC24/466073-024 Steady

Fold - Maharam
Seating
54" wide
100% polyurethane
Polyester backing
ZF101/466292-001 Jet
ZF102/466292-002 Chalk
ZF103/466292-003 Smoke
ZF105/466292-005 Fatigue
ZF106/466292-006 Splash
ZF107/466292-007 Apple
ZF108/466292-008 Moss
ZF110/466292-010 Midnight

Gild - Maharam
Ancillary/Seating
54" wide
100% non-phthalate vinyl
Ink-resistant protective top coat
Polyester backing
8AR01/466432-005 Grapevine
8AR02/466432-009 Frosting
8AR03/466432-007 Smokey
8AR04/466432-003 Skylight
8AR05/466432-011 Sandstone
8AR06/466432-004 Hurricane
8AR07/466432-002 Wreath
8AR08/466432-001 Rainforest
8AR09/466432-012 Fudge
8AR10/466432-010 Lantern
8AR11/466432-006 Planet
8AR12/466432-008 Reflection

Price category G continued on next page

- Maharam textiles are on assigned lead times [A](#).
- Fabric numbers are listed as Herman Miller fabric number/Maharam fabric number.

# Textile Colors

continued

## Price Category G

continued

Pare – Maharam	
Ancillary/Seating	
54" wide	
52% wool	
26% polyester	
22% nylon	
PFOA-free stain resistant finish	
ZPR01/466359-001	Polaris
ZPR04/466359-004	Fresco
ZPR06/466359-006	Wink
ZPR07/466359-007	Concord
ZPR08/466359-008	Strawberry
ZPR09/466359-009	Solar
ZPR10/466359-010	Amulet
ZPR11/466359-011	Zest
ZPR12/466359-012	Elmwood
ZPR13/466359-013	Thyme
ZPR17/466359-017	Blueberry

Runner - Maharam	
Ancillary/Seating	
54" wide	
57% post-industrial recycled polyester	
43% post-consumer recycled polyester	
ZRF01/466108-001	Bluff
ZRF03/466108-003	Grove
ZRF04/466108-004	Starboard
ZRF05/466108-005	Plot
ZRF06/466108-006	Carousel

Sudden – Maharam	
Ancillary	
54" wide	
100% polyurethane	
ZSD02/463000-002	002
ZSD03/463000-003	003
ZSD05/463000-005	005
ZSD06/463000-006	006
ZSD07/463000-007	007
ZSD08/463000-008	008
ZSD09/463000-009	009
ZSD10/463000-010	010
ZSD11/463000-011	011
ZSD13/463000-013	013
ZSD15/463000-015	015
ZSD16/463000-016	016
ZSD17/463000-017	017
ZSD18/463000-018	018
ZSD19/463000-019	019
ZSD20/463000-020	020
ZSD24/463000-024	024
ZSD27/463000-027	027
ZSD36/463000-036	036

## Price Category H

Anagram - Maharam	
Ancillary	
54" wide	
42% cotton	
32% polyester	
26% nylon	
ZAN01/466067-001	Quarry
ZAN02/466067-002	Hush
ZAN03/466067-003	Electric
ZAN04/466067-004	Range
ZAN05/466067-005	Settle

Circles – Maharam	
Ancillary/Seating	
55" wide	
70% cotton	
30% polyester	
ZT01/458310-001	Khaki
ZT02/458310-002	Fatigue
ZT03/458310-003	Document
ZT04/458310-004	Engine

Dot Pattern – Maharam	
Ancillary/Seating	
55" wide	
71% cotton	
29% polyester	
ZK01/458300-001	Document
ZK02/458300-002	Taupe
ZK04/458300-004	Red
ZK05/458300-005	Navy

Mechanism – Maharam	
Ancillary	
54" wide	
100% polyester	
ZMC01/465952-001	Mercury
ZMC10/465952-010	Pearl
ZMC11/465952-011	Bronze
ZMC13/465952-013	Titanium
ZMC15/465952-015	Tangerine
ZMC17/465952-017	Sprout

Mister – Maharam	
Ancillary	
54" wide	
67% solution-dyed acrylic	
33% solution-dyed polyester	
ZMG01/466178-001	Breeze
ZMG04/466178-004	Enliven
ZMG05/466178-005	Notice
ZMG06/466178-006	Azurite

Regatta – Maharam	
Ancillary	
54" wide	
65% solution-dyed acrylic	
35% solution-dyed polyester	
ZRT01/466189-001	Drift
ZRT02/466189-002	Parasol
ZRT04/466189-004	Swell

Small Dot Pattern – Maharam	
Ancillary/Seating	
55" wide	
71% cotton	
29% polyester	
ZL01/458320-001	Document
ZL02/458320-002	Sand
ZL03/458320-003	Khaki
ZL04/458320-004	Taupe
ZL05/458320-005	Charcoal
ZL06/458320-006	Document
	Reverse
ZL07/458320-007	Red
ZL08/458320-008	Yellow
ZL09/458320-009	Green

- Maharam textiles are on assigned lead times [A](#).
- Fabric numbers are listed as Herman Miller fabric number/Maharam fabric number.



# Textile Colors

continued

## Price Category I

Colorwheel – Maharam	
Ancillary	
54" wide	
62% cotton	
38% solution-dyed	
post-industrial recycled nylon	
ZCW02/466163-002	Pumice
ZCW03/466163-003	Viridian
ZCW06/466163-006	Charcoal
ZCW07/466163-007	Carbon

Cursive – Maharam	
Ancillary/Seating	
54" wide	
67% solution-dyed acrylic	
33% solution-dyed polyester	
PFOA-Free stain resistant	
7CW01/466335-001	Fast
7CW03/466335-003	Beachcomb
7CW05/466335-005	Swift
7CW07/466335-007	Inkwell
7CW08/466335-008	Rubber

Passage - Maharam	
Ancillary	
54" wide	
100% polyester	
59P01/466614-001	Mirage
59P02/466614-002	Poolside
59P03/466614-003	Cascade
59P04/466614-004	Lacinato
59P05/466614-005	Overstory
59P06/466614-006	Celadon
59P07/466614-007	Echo
59P08/466614-008	Bentonite
59P09/466614-009	Buttercup
59P10/466614-010	Maple
59P11/466614-011	Blossom
59P12/466614-012	Cloudberry
59P13/466614-013	Contessa
59P14/466614-014	Claret
59P15/466614-015	Katana

Study - Maharam	
Ancillary/Seating	
54" wide	
73% solution-dyed acrylic	
27% solution-dyed polyester	
ZSY01/466269-001	001
ZSY02/466269-002	002
ZSY03/466269-003	003
ZSY04/466269-004	004
ZSY05/466269-005	005

Tracery – Maharam	
Ancillary	
52" wide	
34% solution-dyed nylon	
26% wool	
21% polyester	
19% cotton	
acrylic backing	
PFOA-free stain resistant finish	
ZT501/466372-001	Birch
ZT502/466372-002	Sterling
ZT503/466372-003	Flint
ZT504/466372-004	Indigo
ZT505/466372-005	Arctic
ZT506/466372-006	Kelp
ZT507/466372-007	Melon
ZT508/466372-008	Poppy
ZT509/466372-009	Copper
ZT510/466372-010	Papaya
ZT511/466372-011	Sepia

## Price Category J

Fluted Silk – Maharam	
Ancillary	
54" wide	
85% silk	
8% cotton	
7% acrylic	
ZFK02/465982-002	Tarnish
ZFK05/465982-005	Calm
ZFK06/465982-006	Flaxen
ZFK10/465982-010	Noticed
ZFK11/465982-011	Moody
ZFK12/465982-012	Constant
ZFK13/465982-013	Seed
ZFK14/465982-014	Eternal
ZFK15/465982-015	Honor
ZFK17/465982-017	Cranach
ZFK20/465982-020	Discreet

Mikado – Maharam	
Ancillary	
54" wide	
79% cotton	
21% polyester	
V1901/459330-001	Umber
V1902/459330-002	Orange
V1903/459330-003	Ultramarine
V1904/459330-004	Pink
V1905/459330-005	Sepia

Trestle - Maharam	
Ancillary	
54" wide	
36% acrylic	
32% wool	
23% cotton	
9% polyester	
3WG01/466613-001	Loam
3WG02/466613-002	Rift
3WG03/466613-003	Fuse
3WG04/466613-004	Cumulus
3WG05/466613-005	Strand
3WG06/466613-006	Pomelo
3WG07/466613-007	Tawny
3WG08/466613-008	Sunstone
3WG09/466613-009	Kindling
3WG10/466613-010	Sidecar
3WG11/466613-011	Beak
3WG12/466613-012	Ficus
3WG13/466613-013	Hinge
3WG14/466613-014	Bluefish
3WG15/466613-015	Oblivion

- Maharam textiles are on assigned lead times [A](#).
- Fabric numbers are listed as Herman Miller fabric number/Maharam fabric number.

# Textile Colors

continued

Appendix: Textile Colors

## Price Category K

Checker – Maharam	
Ancillary	
55" wide	
77% cotton	
23% polyester	
V1201/459830-001 Emerald Light/ Ivory	
V1204/459830-004 Ultramarine/ Emerald	
V1206/459830-007 Sienna Dark/ Khaki	
V1207/459830-008 Black/White	
V1209/459830-009 Ultramarine/ Turquoise	
V1210/459830-010 Blue Gray/ Emerald	
V1211/459830-011 Olive/Pink	
V1212/459830-012 Magenta/ Orange	
V1213/459830-013 Crimson/ Orange	
Checker Split – Maharam	
Ancillary	
55" wide	
77% cotton	
23% polyester	
V1301/460290-01 Black/White	
Double Triangles – Maharam	
Ancillary	
55" wide	
77% cotton	
23% polyester	
V1401/459840-001 Black/White	
Facets – Maharam	
Ancillary	
55" wide	
77% cotton	
23% polyester	
V1501/459850-001 Black/White	

Isa – Maharam	
Ancillary	
59" wide	
85% wool	
15% nylon	
VKZ01/466624-001 Bashful	
VKZ02/466624-002 Median	
VKZ03/466624-003 Observe	
VKZ04/466624-004 Plains	
VKZ05/466624-005 Drawn	
VKZ06/466624-006 Connect	
VKZ07/466624-007 Fennel	
VKZ08/466624-008 Skyward	
VKZ09/466624-009 Oceanic	
VKZ10/466624-010 Neptune	
VKZ11/466624-011 Sprint	
VKZ12/466624-012 Ledge	
VKZ13/466624-013 Surround	
VKZ14/466624-014 Foretell	
VKZ15/466624-015 Lory	
VKZ16/466624-016 Dear	
VKZ17/466624-017 Foxtrot	
VKZ18/466624-018 Sincere	
VKZ19/466624-019 Begonia	
Optik – Maharam	
Ancillary	
55" wide	
76% cotton	
24% polyester	
ZQP01/459960-001 Sun Yellow/ Orange	
ZQP06/459960-006 White/Black	
Unisol – Maharam	
Ancillary	
55" wide	
61% rayon	
21% polyester	
18% cotton	
ZUN01/461160-001 Black/ White	

## Price Category L

Exaggerated Plaid – Maharam	
Ancillary	
59" wide	
100% wool	
ZEP01/466039-001 Glen	
ZEP02/466039-002 Brae	
ZEP03/466039-003 Firth	
Geometri – Maharam	
Ancillary	
55" wide	
77% cotton	
23% polyester	
ZGM02/459970-002 Red/ Carmine	
ZGM03/459970-003 Lilac/Blue	
ZGM04/459970-004 White/ Black	
Jacobs Coat – Maharam	
Ancillary	
54" wide	
92% wool	
8% nylon	
V1601/462270-001 Multicolored Bright *	
V1602/462270-002 Multicolored Neutral	
* Color available on Girard Color Wheel Ottoman.	
Millerstripe – Maharam	
Ancillary	
54" wide	
92% wool	
8% rayon	
V1701/462250-001 Multicolored Bright	
V1702/462250-002 Multicolored Neutral	

Minicheck - Maharam	
Seating	
55" wide	
78% cotton	
22% polyester	
PFOA-Free stain resistant finish	
ZMK01/466268-001 Black/ White	
Monk's Wool – Maharam	
Ancillary	
54" wide	
96% wool	
4% nylon	
ZMW01/457301-001 Tusk	
ZMW03/457301-003 Slate	
ZMW05/457301-005 Cherokee	
Pebble Wool – Maharam	
Ancillary	
54" wide	
90% wool	
10% nylon	
ZPW01/457401-001 Birch	
ZPW10/457401-010 Cottage	
ZPW13/457401-013 Eggshell	
ZPW14/457401-014 Whisper	
ZPW15/457401-015 Ceramic	
ZPW16/457401-016 Seamist	
ZPW17/457401-017 Armory	
ZPW18/457401-018 Glaze	
ZPW19/457401-019 Cordial	
Pebble Wool Multi – Maharam	
Ancillary	
54" wide	
97% wool	
3% nylon	
ZPM01/461200-001 Fawn	
ZPM02/461200-002 Slate	
ZPM05/461200-005 Moss	
ZPM06/461200-006 Tabasco	

Price category L continued on next page

- Maharam textiles are on assigned lead times A.
- Fabric numbers are listed as Herman Miller fabric number/Maharam fabric number.

# Textile Colors

continued

## Price Category L

continued

Quatrefoil – Maharam	
Ancillary	
54" wide	
75% cotton	
25% nylon	
V2101/459350-001	Silver
V2102/459350-002	Pink
V2103/459350-003	Crimson
V2104/459350-004	Emerald
V2105/459350-005	Violet

Repeat Classic Stripe – Maharam	
Ancillary	
55" wide	
47% cotton	
27% rayon	
26% polyester	
ZRS01/462170-001	Inca
ZRS02/462170-002	Pistachio
ZRS03/462170-003	Poppy
ZRS04/462170-004	Cadet
ZRS05/462170-005	Peacock

Repeat Dot Ring – Maharam	
Ancillary	
55" wide	
75% cotton	
25% polyester	
ZRR01/462150-001	Gold
ZRR04/462150-004	Pink
ZRR05/462150-005	Coral
ZRR07/462150-007	Gold
	Reverse
ZRR10/462150-010	Pink
	Reverse
ZRR11/462150-011	Coral
	Reverse

Stripes - Maharam	
Ancillary	
56" wide	
92% wool	
8% nylon	
ZSP01/463980-001	001
ZSP02/463980-002	002
ZSP03/463980-003	003
ZSP04/463980-004	004
ZSP05/463980-005	005
ZSP06/463980-006	006
ZSP07/463980-007	007
ZSP08/463980-008	008
ZSP09/463980-009	009
ZSP10/463980-010	010

Toostripe – Maharam	
Ancillary	
54" wide	
92% wool	
8% nylon	
V2201/462260-001	Orange Dark/ Crimson Dark
V2202/462260-002	Black/ Raw Umber
V2203/462260-003	Ochre Dark/ Sienna

## Price Category M

Fruit - Maharam	
Seating	
54" wide	
55% cotton	
32% nylon	
13% post-consumer recycled polyester	
PFOA-Free stain resistant finish	
Acrylic backing	
ZF201/466262-001	Opal
ZF202/466262-002	Lime
ZF203/466262-003	Olive
ZF204/466262-004	Sky
ZF207/466262-007	Russet

Names – Maharam	
Ancillary	
55" wide	
73% cotton	
27% polyester	
V1801/462510-001	Crimson On White
V1802/462510-002	Ultramarine On White
V1803/462510-003	Black On White

Ottoman Stripe – Maharam	
Ancillary	
58" wide	
92% wool	
8% nylon	
ZQN01/466142-001	Brass
ZQN02/466142-002	Cocoa
ZQN03/466142-003	Dusk
ZQN04/466142-004	Pistachio
ZQN05/466142-005	Apricot

Pressed Plaid – Maharam	
Ancillary	
54" wide	
100% wool	
T1101/466181-001	001
T1102/466181-002	002
T1103/466181-003	003
T1104/466181-004	004
T1105/466181-005	005
T1106/466181-006	006

Wool Striae – Maharam	
Ancillary	
54" wide	
100% wool	
T1201/466184-001	001
T1202/466184-002	002
T1203/466184-003	003
T1204/466184-004	004
T1205/466184-005	005
T1206/466184-006	006
T1207/466184-007	007

Appendix: Textile Colors

- Maharam textiles are on assigned lead times A.
- Fabric numbers are listed as Herman Miller fabric number/Maharam fabric number.

# Textile Colors

continued

Appendix: Textile Colors

## Price Category N

### Alpaca Epinglé - Maharam

Ancillary
55" wide
100% alpaca
ZAE01/465902-001 Vellum
ZAE02/465902-002 Slate
ZAE06/465902-006 Graphite
ZAE07/465902-007 Beignet

### Alpaca Velvet - Maharam

Ancillary
54" wide
100% alpaca
ZAV01/465901-001 Alpine
ZAV06/465901-006 Charcoal
ZAV07/465901-007 Pewter
ZAV08/465901-008 Squash
ZAV09/465901-009 Wallaby
ZAV10/465901-010 Brunia

### Bespoke Stripe - Maharam

Ancillary
56" wide
100% wool
ZBP01/463540-001 Navy
ZBP02/463540-002 Tobacco
ZBP03/463540-003 Chocolate
ZBP04/463540-004 Charcoal
ZBP05/463540-005 Black
ZBP06/463540-006 Pewter

### Herringbone Stripe - Maharam

Ancillary
57" wide
100% wool
ZKP01/465945-001 Granite
ZKP02/465945-002 Espresso
ZKP03/465945-003 Graphite
ZKP04/465945-004 Indigo
ZKP05/465945-005 Raven

### Point - Maharam

Ancillary
53" wide
97% rayon
3% nylon
ZPT01/466090-001 Ivory and Ember
ZPT02/466090-002 Black and Coral
ZPT03/466090-003 Slate and Khaki
ZPT04/466090-004 Black and Cobalt
ZPT05/466090-005 Black and Khaki
ZPT06/466090-006 Slate and Mandarin
ZPT07/466090-007 Slate and Black
ZPT08/466090-008 Brick and Greige
ZPT09/466090-009 Gold and Black
ZPT10/466090-010 Greige and Peat
ZPT11/466090-011 Peat and Mandarin
ZPT12/466090-012 Crimson
ZPT13/466090-013 Mandarin
ZPT14/466090-014 Citrus
ZPT15/466090-015 Grass
ZPT16/466090-016 Cyan
ZPT17/466090-017 Cobalt

### Wool Velvet - Maharam

Ancillary
54" wide
100% wool
ZWV01/466120-001 Plush
ZWV02/466120-002 Subdue
ZWV03/466120-003 Flagstone
ZWV04/466120-004 Nori
ZWV06/466120-006 Bridle
ZWV07/466120-007 Covert
ZWV08/466120-008 Gateway

## Price Category O

### Bavaria Stripe - Maharam

Ancillary
55" wide
77% polyester
23% cotton
ZBS02/466161-002 Unique

## Price Category P

### Big Stripe - Maharam

Ancillary
55" wide
92% wool
8% nylon
ZBR01/466174-001 Peacock
ZBR02/466174-002 Spring
ZBR03/466174-003 Umber
ZBR04/466174-004 Poppy
ZBR05/466174-005 Cobalt

### Epinglé Stripe - Maharam

Ancillary
50" wide
100% cotton
ZES01/466007-001 Caramel
ZES02/466007-002 Lead
ZES03/466007-003 Violet
ZES04/466007-004 Mahogany
ZES05/466007-005 Olive

### Layers Garden - Maharam

Ancillary
52" wide
96% wool
3% nylon
1% polyester
ZLY01/465916-001 Ivy/Bronze
ZLY02/465916-002 Putty/ Turquoise
ZLY03/465916-003 Pewter/ White
ZLY04/465916-004 Chocolate/ Lilac
ZLY05/465916-005 Peat/Copper

Price category P continued on next page

- Maharam textiles are on assigned lead times. <sup>A</sup>
- Fabric numbers are listed as Herman Miller fabric number/Maharam fabric number.

# Textile Colors

continued

## Price Category P

continued

Layers Park – Maharam
Ancillary
52" wide
95% wool
3% nylon
2% polyester
ZLP01/465918-001 Ash/Snow
ZLP02/465918-002 Mineral/Sky
ZLP03/465918-003 Poppy/ Melon
ZLP04/465918-004 Indigo/ White
ZLP05/465918-005 Earth/Cobalt

Layers Vineyard Large – Maharam
Ancillary
52" wide
95% wool
3% nylon
2% polyester
ZLV01/465921-001 Ivory/Onyx
ZLV02/465921-002 Slate/Azure
ZLV03/465921-003 Loden/Sky
ZLV04/465921-004 Taupe/ Crimson
ZLV05/465921-005 Black/ Mahogany

Layers Vineyard Small – Maharam
Ancillary
52" wide
92% wool
5% polyester
3% nylon
ZLS01/465920-001 Ochre/White
ZLS02/465920-002 Scarlet/ Peony
ZLS03/465920-003 Taupe/Violet
ZLS04/465920-004 Jade/ Turquoise
ZLS05/465920-005 Ginger/Rose

Mohair Supreme - Maharam
Ancillary
54" wide
100% mohair
ZMS02/451801-072 Stonehenge
ZMS06/451801-112 Slate *
ZMS07/451801-113 Rich Chocolate *
ZMS09/451801-126 Cayenne
ZMS10/451801-127 Cognac
ZMS12/451801-129 Peat *
ZMS15/451801-133 Abyss
ZMS16/451801-134 Intrigue
ZMS18/451801-136 Lupine *
ZMS28/451801-146 League
ZMS29/451801-147 Armory *
ZMS32/451801-150 Capiz
ZMS33/451801-151 Underneath
ZMS34/451801-152 Crescent
ZMS35/451801-153 National
ZMS36/451801-154 Rooftop
ZMS37/451801-155 Skewer
ZMS38/451801-156 Party
ZMS39/451801-157 Keepsake
ZMS40/451801-158 Travel
ZMS41/451801-159 Estate
ZMS42/451801-160 Grassland
ZMS43/451801-161 Limoncello
ZMS44/451801-162 Mango
ZMS45/451801-163 Doll
ZMS46/451801-164 Carousel
ZMS47/451801-165 Palette
ZMS48/451801-166 Brandy
ZMS49/451801-167 Aristocrat
ZMS50/451801-168 Soulmate
ZMS51/451801-169 Rosette

\* Colors available on Eames Lounge Chair and Ottoman.

## Price Category Q

A Band Apart – Maharam
Ancillary
56" wide
75% polyester
25% cotton
ZAB01/466000-001 Unique

Brushed Camel – Maharam
Ancillary
58" wide
100% baby camel hair
ZBA01/465977-001 Albino
ZBA02/465977-002 Natural

Deconstructed Rose – Maharam
Ancillary
55" wide
65% polyester
32% cotton
3% rayon
ZDS01/466086-001 Golden
ZDS02/466086-002 Vivid
ZDS03/466086-003 Earthen

Massive Paisley – Maharam
Ancillary
57" wide
76% polyester
24% cotton
ZMV01/465915-001 Ash
ZMV03/465915-003 Cardinal
ZMV06/465915-006 Night

The Firm – Maharam
Ancillary
56" wide
75% polyester
25% cotton
ZTF03/465999-003 Unique

## Price Category R

Borders – Maharam
Ancillary
53" wide
98% wool
2% polyester
ZBB01/466082-001 Natural
ZBB02/466082-002 Greige
ZBB03/466082-003 Charcoal
ZBB04/466082-004 Walnut

Stow Leather - Maharam
Ancillary
approx. 50 sq. ft. per hide
100% leather
protective top coat
ZSV01/700014-001 Opera
ZSV02/700014-002 Japonica
ZSV03/700014-003 Masquerade
ZSV04/700014-004 Laguna
ZSV05/700014-005 Jettison
ZSV06/700014-006 Razor
ZSV07/700014-007 Holiday
ZSV08/700014-008 Patchouli
ZSV09/700014-009 Macrame
ZSV10/700014-010 Grace
ZSV11/700014-011 Seraphim
ZSV12/700014-012 Ricotta
ZSV13/700014-013 Neroli
ZSV14/700014-014 Sultana
ZSV15/700014-015 Sundance
ZSV16/700014-016 Quince
ZSV17/700014-017 Babka
ZSV18/700014-018 Maitake
ZSV19/700014-019 Mercer
ZSV20/700014-020 Gaucho
ZSV21/700014-021 Chia
ZSV22/700014-022 Vanguard
ZSV23/700014-023 Zone
ZSV24/700014-024 Zeppelin

Price category R continued on next page

Appendix: Textile Colors

- Maharam textiles are on assigned lead times. <sup>A</sup>
- Fabric numbers are listed as Herman Miller fabric number/Maharam fabric number.

# Textile Colors

continued

Appendix: Textile Colors

## Price Category R

continued

Stow Leather <i>continued</i>	
ZSV25/700014-025	Clandestine
ZSV26/700014-026	Raven
ZSV27/700014-027	Cabana
ZSV28/700014-028	Rime
ZSV29/700014-029	Forsythia
ZSV30/700014-030	Panthera
ZSV31/700014-031	Dune
ZSV32/700014-032	Madera
ZSV33/700014-033	Russet
ZSV34/700014-034	Gala
ZSV35/700014-035	Heron

## Price Category S

Bavaria – Maharam	
Ancillary	
55" wide	
73% polyester	
27% cotton	
ZBV01/466162-001	Unique

## Price Category T

All Grain Leather – Edelman	
Ancillary	
approx. 50 sq. ft. per hide	
100% full-grain Aniline-dye cowhide	
VB01/AG01	Pitch Brown
VB02/AG02	White
VB03/AG03	Cloud
VB04/AG04	Shadow
VB05/AG05	Black
VB06/AG06	Baked Bean
VB07/AG07	Mildew
VB08/AG08	Soot
VB09/AG09	Blue Jeans
VB10/AG10	Merlot
VB11/AG11	Nutmeg
VB12/AG12	Butter
VB13/AG13	Cherry
VB14/AG14	Burnt Orange
VB15/AG15	Whiskey
VB17/AG17	Raw Silk
VB18/AG18	Balsa
VB19/AG19	Naturale
VB21/AG21	Greige
VB22/AG27	Latte
VB23/AG28	Coral
VB24/AG29	Rose
VB25/AG30	Zinnia
VB26/AG31	Iris
VB27/AG32	Daffodil

Hours – Maharam	
Ancillary	
56" wide	
95% wool	
3% nylon	
2% rayon	
ZKR01/466092-001	Day
ZKR02/466092-002	Night

## Price Category U

Layers Garden Double – Maharam	
Ancillary	
52" wide	
96% wool	
3% nylon	
1% polyester	
ZLD01/465917-001	Ash/ Quartz/ Grass
ZLD02/465917-002	Earth/ Chocolate/ Coral
ZLD03/465917-003	Black/ Navy/ Cobalt

Layers Park Double – Maharam	
Ancillary	
52" wide	
96% wool	
3% nylon	
1% polyester	
ZLB01/465919-001	Mineral/ Taupe/ Lemon
ZLB02/465919-002	Sienna/ Ginger/ Rose
ZLB03/465919-003	Black/ Peat/ Copper

- Maharam textiles are on assigned lead times. <sup>A</sup>
- Fabric numbers are listed as Herman Miller fabric number/Maharam fabric number.

# Textile Colors

continued

Price Category V-W	Price Category X	Price Category Y	Price Category Z
No fabrics available at this time.	<p><b>Eden – Maharam</b></p> <p>Ancillary 56" wide 83% polyester 17% cotton</p> <p>ZED01/466258-001 001 ..... ZED02/466258-002 002 ..... ZED03/466258-003 003 ..... ZED04/466258-004 004 ..... ZED05/466258-005 005 .....</p> <p><b>Foliage – Maharam</b></p> <p>Ancillary 56" wide 75% polyester 25% cotton</p> <p>ZFG02/466257-002 002 ..... ZFG04/466257-004 004 ..... ZFG05/466257-005 005 .....</p>	<p><b>Industry – Maharam</b></p> <p>Ancillary 55" wide 80% polyester 20% cotton</p> <p>ZND01/466255-001 001 .....</p>	<p><b>Agency – Maharam</b></p> <p>Ancillary 55" wide 75% polyester 25% cotton</p> <p>ZAG02/466001-002 002 ..... ZAG04/466001-004 004 ..... ZAG05/466001-005 005 ..... ZAG06/466001-006 006 ..... ZAG07/466001-007 007 ..... ZAG08/466001-008 008 .....</p>

Appendix: Textile Colors

- Maharam textiles are on assigned lead times. A
- Fabric numbers are listed as Herman Miller fabric number/Maharam fabric number.

# Textile Colors

continued

## Price Category 10M

Appendix: Textile Colors

### Pace Leather – Maharam

Ancillary

approx. 50 sq. ft. per hide

100% leather

ZPA01/700011-001	Whisper
ZPA02/700011-002	Shy
ZPA03/700011-003	Granite
ZPA04/700011-004	Misty
ZPA05/700011-005	Studio
ZPA06/700011-006	Throne
ZPA07/700011-007	Proper
ZPA08/700011-008	Huron
ZPA09/700011-009	Darkroom
ZPA10/700011-010	Bark
ZPA11/700011-011	Raspberry
ZPA12/700011-012	Sangria
ZPA13/700011-013	Admiral
ZPA14/700011-014	Juniper
ZPA15/700011-015	Regal
ZPA16/700011-016	Vapor
ZPA17/700011-017	Valley
ZPA18/700011-018	Bushel
ZPA19/700011-019	Heirloom
ZPA20/700011-020	Palomino
ZPA21/700011-021	Bamboo
ZPA22/700011-022	Saffron
ZPA23/700011-023	Tearose
ZPA24/700011-024	Canyon
ZPA25/700011-025	Bistro
ZPA26/700011-026	Toffee
ZPA27/700011-027	Rodeo
ZPA28/700011-028	Mudslide
ZPA29/700011-029	Greige
ZPA30/700011-030	Reflection
ZPA31/700011-031	Pure
ZPA32/700011-032	Desert
ZPA33/700011-033	Griffin
ZPA34/700011-034	Urbane
ZPA35/700011-035	Woodrose

- Maharam textiles are on assigned lead times. [A](#)
- Fabric numbers are listed as Herman Miller fabric number/Maharam fabric number.





For more information about our products and services or to see a list of dealers, please visit us at [HermanMiller.com](http://HermanMiller.com) or call (800) 851 1196.

© 2024 Herman Miller, Inc., Zeeland, Michigan

#### Distribution Rights

Working together since 1956, Herman Miller and Vitra are the authentic sources of designs by Charles and Ray Eames, Alexander Girard, and George Nelson. All the designs shown in this book are protected by law. Herman Miller has obtained all rights to make and sell these designs. Also, Herman Miller holds exclusive worldwide manufacturing and distribution rights for these products with the following exceptions:

Charles and Ray Eames, George Nelson, and Alexander Girard—Worldwide distribution rights for furniture in all areas except Europe and the Middle East. For those areas, please contact Vitra.

Isamu Noguchi—Worldwide distribution rights for the Noguchi Rudder Table. Distribution rights for the Noguchi Table in North America and Central America only. For all other areas, please contact Vitra.

Magis—Exclusive distribution rights in the US and Canada. For all other areas, please contact Magis.

© **HermanMiller**, 3D Intelligent, 8Z Pellicle, AO, Action Office, Aeron, Aside, Bubble Lamps, Canvas Office Landscape, Caper, Celle, Cosm, Co/Struc, Daisyone, Distil, Eames, Eco-Dematerialized, Embody, Envelop, Ethospace, Exclave, Fine-Tune, FlexFront, Flo, Formcoat, Formwork, Ground Cloth, Intent, Kinemat, Layout Studio, Lino, Live Unframed, Living Office, Maharam, Meridian, Mirra, Motia, Nelson, Pari, Pellicle, Perspectives, Plex, PostureFit, PostureFit SL, Public Office Landscape, Sayl, Setu, Striad, Tu, Ubi, Verus, Wishbone, Y-Tower and Zeph are among the registered trademarks of Herman Miller, Inc., and its owned subsidiaries.

™ About Face, AireWeave, Airia, Ambit, Asari Chair by HermanMiller, Backfit, Bublelact, Burdick Group, Butterfly Back, Canvas Vista, Cellular Suspension, Commend, Compass, Connect, DOT, Duracare, Durawrap, EnhancedAccess, Everywhere, Flex-Edge, Flute, Harmonic, Headway, Herman Miller Select, Hopsak 2, Iota, Keyless Entry, Latitude, Logic Mini, Logic Power Access Solutions, Lyris, Lyris 2, Made-to-Measure Storage, Mora, Multiscrim, Nevi, OE1, OE1 Workspace Collection, Overlay, Pixelated Support, Pronta, Renew, Sense, Soft Pad, Stackable, Stackable Storage, Swoop, Thrive, Tone, TriFlex, Twist and Wireframe are among the trademarks of Herman Miller, Inc., and its owned subsidiaries.

SM Herman Miller Options is among the service marks of Herman Miller, Inc.

AAP™ is a trademark of Extron Electronics.

Alexander Girard® is a registered trademark of The Alexander Girard Estate.

Chemsurf® is a registered trademark of Wilsonart International.

Corian® is a registered trademark of E. I. du Pont de Nemours and Company Corporation.

Crypton® is a registered trademark of Crypton, Inc.

DACRON® is a registered trademark of INVISTA S.a r.l.

Danzer® is a registered trademark of Danzer Holding AG.

Decora® is a registered trademark of Leviton Manufacturing Co., Inc.

Edelman® Leather is a registered trademark of Edelman Leather, Inc.

Extron® is a registered trademark of RGB Systems, Inc.

FENIX NTM® is a registered trademark of Arpa Industriale S.p.A.

FLEXNET™ is a trademark of Milliken & Company.

Floor Saver Glide® is a registered trademark of Carpin Manufacturing, Inc.

Forest Stewardship Council® is a registered trademark of the Forest Stewardship Council A.C. (FSC). We are FSC® certified (FSC® C102895).

FSC® is a registered trademark of the Forest Stewardship Council A.C. (FSC).

Geiger® is a registered trademark, and Bumper™, Saiba™, and Ward Bennett™ are trademarks, of Geiger International.

Hang-It-All® is a registered trademark of Lucia Eames Demetrios, d.b.a. Eames Office.

Holophane® is a registered trademark of Holophane.

Ingeo™ is a trademark of Cargill Dow LLC.

iPad® and Mac mini® are registered trademarks of Apple Inc.

Leviton® is a registered trademark of Leviton Manufacturing Co., Inc.

LifeSize® is a registered trademark of LifeSize Communications, Inc.

Logitech G® is a registered trademark of Logitech International S.A.

Magis®, Bombo®, and Me Too® are registered trademarks of Magis S.p.A.

MicrobeCare™ is a trademark of Parasol Medical LLC.

Microsoft® and Natural® Keyboard are registered trademarks of Microsoft Corporation.

Noguchi® and the Noguchi table configuration (trade dress) are registered trademarks, and Rudder Table™ is a trademark, of The Isamu Noguchi Foundation and Garden Museum.

Place Textiles® is a registered trademark of Place Textiles.

Sunbrella® is a registered trademark of Glen Raven, Inc.

SuperSeat™ is a trademark of Dahti Seating, a division of ITW.

Valor™ is among the trademarks owned by Nemschoff, Inc.