

CC-20 Contour Projector®

The **CC-20** optical comparator is a precision instrument designed for the shop floor. CC-20 has extensive standard features and a range of options that allow you to configure a system to meet your specific measurement needs.

The eye level 20 in diameter screen and conveniently located DRO make measurements fast and easy.

- Includes high brightness TruLight® LED profile illumination with variable intensity control
- High load capacity, nickel-plated worktable easily accommodates large, heavy machined parts and fixtures
- Optional VidiProbe® video measurement and eCAD® virtual chart gage systems offer full automation

Proudly designed and manufactured in
the United States of America

High Capacity Optical Comparator



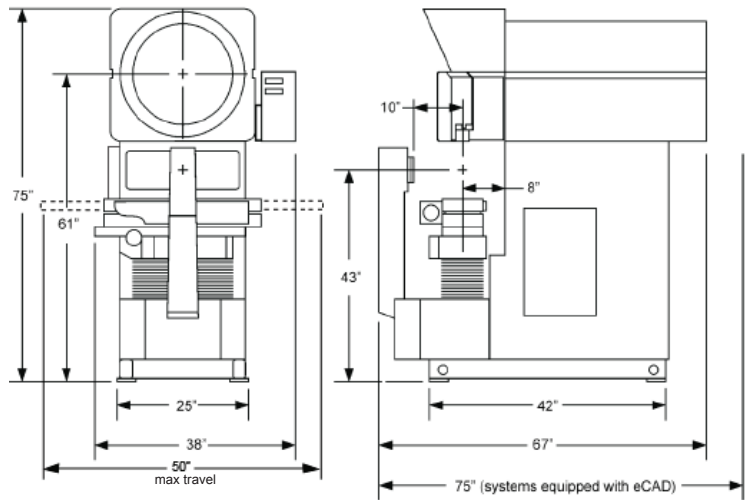
CC-20 Contour Projector

Available Options and Accessories:

- Extended X-axis travel
- Adjustable direct projection iris
- Digital video screen image capture
- EdgeScan™ internal automatic edge detection (requires a Quadra-Chek DRO)
- Projectron® automatic grayscale edge detection (requires a Q-Check DRO)
- VidiProbe™ Video Measurement
- Fixture and calibration reticles
- Fresnel lens
- Overhead light shield
- Glass and plastic overlay charts
- Swing-away lamphouse
- Rotary screen ring and digital protractor for interchangeable glass receiving screens
- Surface illuminator concentrator (reduces FOV at selected mag)
- Rotary Indexer
- Service and support contracts

Optional Software:

- MeasureFit® Plus
- SmartReport® with real-time statistics
- Quadra-Chek® QC-Wedge (requires Microsoft® Excel™)
- eCAD® for electronic CAD overlay & virtual chart systems
- eChek™ Metrology Software
- Measure-X® 2D Metrology Software



Uncrated: 1,660 lb
 Crated : 1,875 lb
 Crated for Export: 2,350 lb

	Standard	Optional
XY Travel Range	15 x 9 in	18 x 9 in
Helix Angle Range		±7.5° with pivoting worktable assembly and zero stop
Focus Travel (Z)	3 in with precision fine adjustment	
XY Positioning	Precision, cast iron vertical elevating assembly and heavy duty X-axis motion	
Throat Clearance	19 in	
XY Scale Resolution	0.00004 in	0.00002 in
XY Drive System	Motorized, DC servo, with variable speed joystick and X & Y axis manual fine adjustment	
Worktable	Heavy duty cast iron nickel plated worktable, 32 x 8 in	
Recommended Maximum Load Capacity	250 lb	
Optical System	Telecentric with upright, un-reversed image	
Screen Size	20 in diameter viewing area screen, with integral hood	
Screen Type	Ground glass with 90° centerlines and clips for mounting standard overlay charts	
Protractor	Screen rotation protractor with ± 360° motion, digital display, 0.01° or 1° display	
Working Distance	8.4 in	
Lens	10X	20X, 31.25X, 50X, 62.5X, 100X
Lens Mount	Fixed, one position mount	Internal, motorized 5 position lens turret
Illumination	Green LED profile light with continuously variable intensity control	White brightfield LED through-the-lens coaxial surface light with continuously variable intensity
Electronics	Choice of Quadra-Chek® QC-100 or QVI Q-Check®	Quadra-Chek QC-200 or QC-300 Q-Touch™
Power Requirements	115/230 VAC, 50/60 Hz, 1φ, 1200 W	



1175 North Street
 Rochester, NY 14621
 Phone: (585) 758-1300 • (877) 764-6397
 Fax: (585) 506-4307
www.certifiedcomparator.com

