

Radio Interface Cable

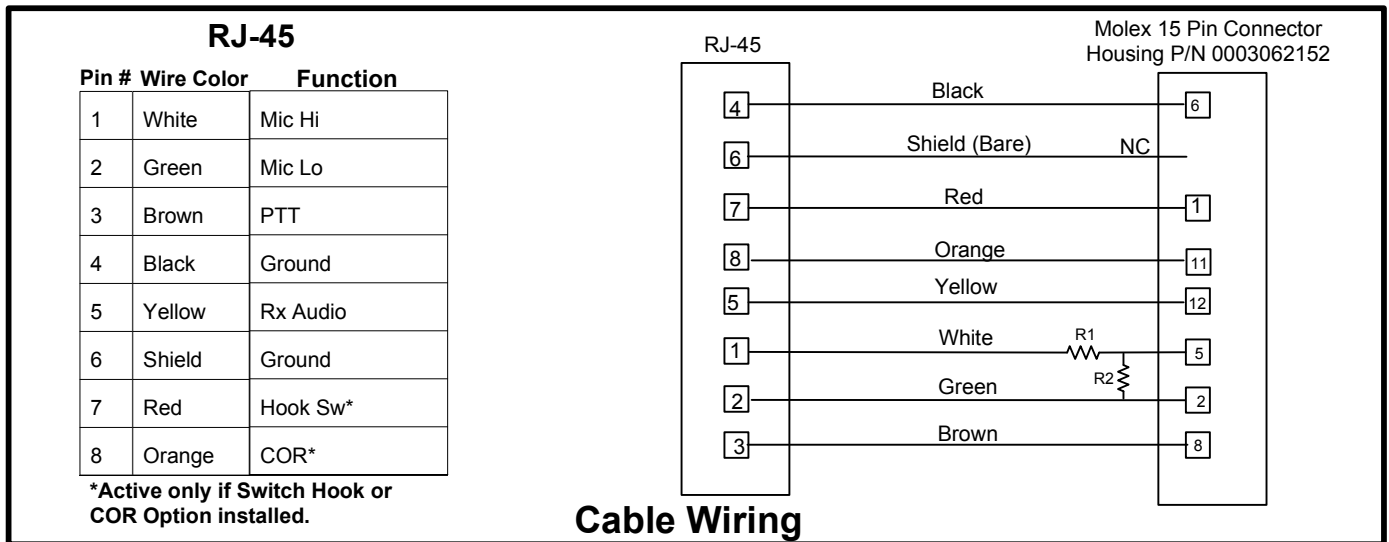
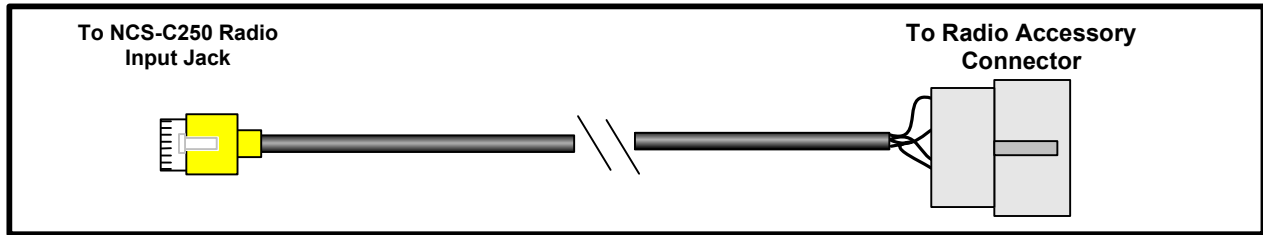
For NCS-C250 Mobile Multi-Switcher

NCS Model Number

NCS-250-KCA-XX

Compatible Radios:

TK-780	TK-980	TK-760G	TK-762G	TK-940	TK-840
TK-880	TK-981	TK-860G	TK-862G	TK-941	



Notes:

- Radio must have the Kenwood KCT-19 Accessory Cable installed** in order to interface to the NCS-250-KCA-XX cable.
- The following modifications apply to the **TK-780, TK-880, TK-980 and TK-981 ONLY**:
 - On the TX/RX board remove (unsolder) jumper from position R12 (zero Ohm surface mount resistor).
 - On the TX/RX board solder jumper in position R167 (zero Ohm surface mount resistor).
 - On the TX/RX board remove (unsolder) jumper from position R94 (zero Ohm surface mount resistor).
 - On the TX/RX board solder jumper in position R24 (zero Ohm surface mount resistor).

Note: See the radio service manual's Installation section for the location of these jumpers/resistors on the TX/RX board. This modification enables the external mic audio input on the KCT-19 Accessory Cable.
- The following modifications apply to the **TK-760G, TK860G, TK762G and TK-862G if CTCSS/DCS decode is desired**:
 - Remove the grey wire of the KCT-19CN4. Jumper this wire to the side of R103 that is connected to pin 7 of IC9. (See radio service manual for part location).
 - The COR polarity in the NCS-C250 must be set to "Valid High" for the radio port(s) connected to these radios.
 - Procedure for NCS-C250 versions A-D - See page 22 of the Instruction Manual for NCS-C250 versions A-D for detailed instructions on setting COR polarity.
 - Procedure for NCS-C250 version E- The "E" version of the NCS-C250 does not have an option board as do previous versions. Please refer to page 10 of the NCS-C250E instruction manual for detail instructions on setting the COR polarity.
- No modifications are required for the **TK-840, TK-940 and TK-941**.