

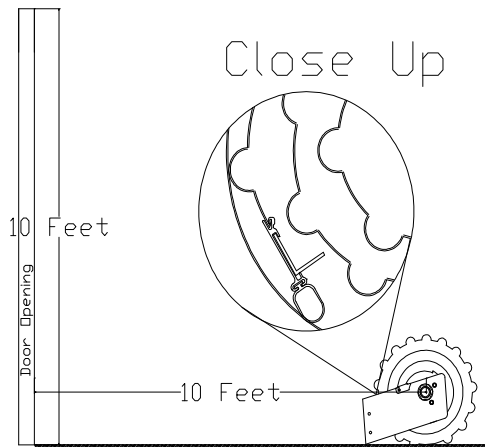
*Pilot Door Systems, Inc. DOES NOT RECOMMEND that you attempt to install a door without professional help or experience. Mistakes made while installing the door on your own are not covered by our warrantee. Installation of doors requires safety equipment, power tools, and know-how. If you choose to install this door, you do so on your own account and take full responsibility for any injury or damage that may occur to yourself or the door. Doors are heavy & springs may be under tension.*

## M3 Series Mini Door Installation Instructions

- 1 Check building dimensions for correct clearances required and to locate appropriate roll-up door for each opening. Approximately 15-17" of headroom clearance and 4-6" on each side of opening will be required for the track and mounting angle clearance. **See Chart #1**

**CAUTION: DO NOT CUT THE BANDS THAT HOLD THE DOOR IN A ROLL** (black plastic strap located underneath the shrink wrap and foam). You will be told at a later time exactly when to cut them. No guarantee will be given or responsibility accepted by manufacturer if door is not erected as instructed. Please review entire instructions thoroughly before attempting to erect door assembly.

- 2 Place mini-door roll on clean, swept floor to avoid any unnecessary damage to the door curtain. Set door roll approximately door height distance away from the door opening on the inside of the unit with the bottom edge angle leg toward the opening. **See Close up of Figure #1**



**Figure #1**  
Door Layout Before Installation

Headroom and Clearance Required		
Door Height	Headroom	Side Room
Up to 7'	15"	4-6"
Up to 8'	16"	4-6"
Up to 10'	17"	4-6"

**Chart #1**

### 3 Assemble the mini-track and flat support bracket

- A. Attach the mini-track to the inside of the flat support bracket by inserting two 1/4- 20 x 5/8" Rib Neck Carriage bolts with slot and tightening down with 1/4- 20 Flange nuts. (**NOTE:** Flat Support Brackets are already assembled and attached to the door before shipping.) **See Figure #2**
- B. Once door is installed, bend top of track face outward to allow easier entry of the door panel. Guides are slit at warehouse to ease this procedure. **See Figure #2**
- C. Attach Head Stop in the downward position and secure by finger tightening with 1/4- 20 Flange nut on 1/4- 20 x 1" Rib Neck Carriage bolt with slot. The flange nut will be on the outside of the track with the bolt head on the inside. (Head stops will be turned horizontal later when the curtain is pulled down into the track) **See Figure #2**

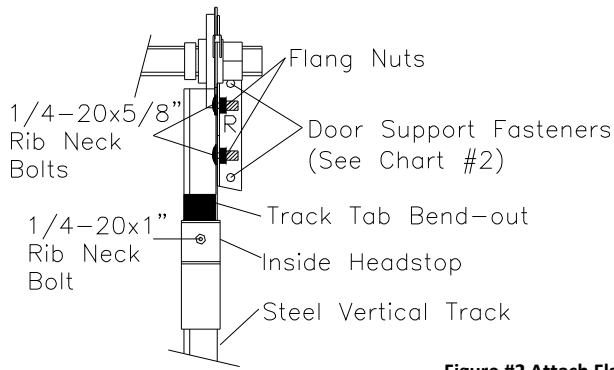


Figure #2 Attach Flat Brackets to Track & Wall Jamb

Jamb	Fasteners
Steel or Flush Corridor	#14 X 3/4" H.W.H. TEK Screw (2 in each bracket)
Concrete or Masonry	5/16" X 1 7/8" Sleeve Anchor (2 in each bracket)
Wood	#8 x 10 X 1 1/2" Sharp-Point Screw)

Chart #2

#### 4 Tilt-up and secure the door to the jambs

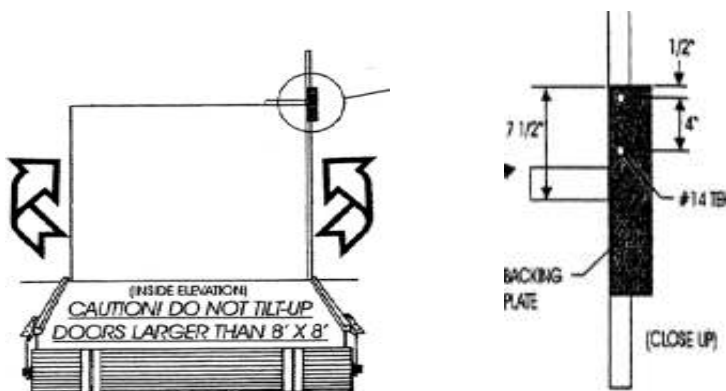
- A. The bottom of the mini-tracks should be at the base of each side of the door opening. Attach mini-backing plates if required. **See Close up Figure #3.** The door roll and track assemblies are now ready for tilt up.

**CAUTION: DO NOT MANUALLY TILT UP DOORS LARGER THAN 8'x8' - USE LIFT**

- B. Before tilting up the door, make sure that the bottom of the tracks are up against the wall on either side of the door opening. One person is needed on each side of the door tracks.
- C. Grab the door at either end of canister, one in the middle if necessary. Lift evenly and carefully until door is erect. **See Figure #3**
- D. Once the door is up, hold the door against the wall while you center the door to the opening, equally on both sides of the opening. (\*\*\*)Door must be level regardless of floor conditions. (\*\*\*)
- E. Make sure that the brackets are square and perpendicular to the wall and axle before mounting the brackets with fasteners. **See Figure #2**
- F. Check for approximately 1/2" gap between the curtain's edge and the support bracket on either side of the door. Determine jamb conditions and attach flat brackets per detail and fastener recommendations. See chart #2 (Doors being attached to steel or flush jamb that are less than 3" wide need 3"x 12" mini backing plates. **See Close up Figure #3**

**NOTE:** The mini-tracks will be fastened later, once the tension has been applied to the door and the curtain pulled into the tracks with head-stops fully installed.

Figure #3  
Door Tilt-up



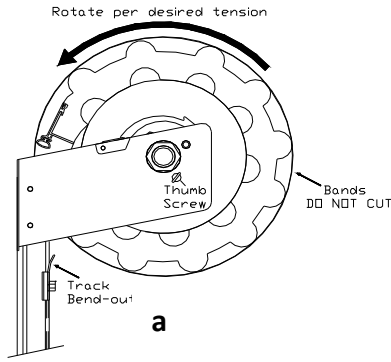
#### 5 Pre-tension door before leading it into the tracks.

- A. Once Flat brackets are secured to building jambs, remove the protective foam covering, but **DO NOT CUT BANDS AT THIS TIME!**
- B. Begin by firmly holding the door roll and slowly rotating the door three full turns toward the wall in the direction shown. **See Figure #4a (Top of track [inside] has small cut down, bend tab toward inside of unit 45° after installation.)**
- C. After the three full turns, the bottom edge should end up at the tip of the track. Secure the bearings on both sides of the door with thumb screws. **See Figure #4a** (Spring tension can be adjusted later. **See Click Tension Adjustment Instructions Figure #6**)
- D. Hold the bottom edge firmly to avoid the door spinning back the other way.

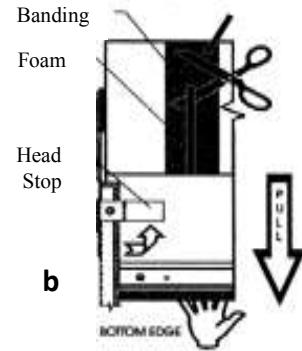
**CAUTION: The door will be under tension. BE SURE TO HOLD SECURELY!**

## 6 Leading the curtain into the tracks

- While firmly holding the bottom edge, have an assistant cut the bands on the door roll. (Protect your face and eyes; the bands are under slight tension.)
- Once the bands are cut pull door curtain down into the track. Continue to hold the bottom edge while you flip up the head stops horizontally and fully tighten them down. **See figure #4b**
- The bottom edge angle can now come up and hit the head stops which prevent the door from exiting the tracks. The door is now in a safe position, and ready for track alignment and building attachment.



**Figure #4**  
**Pre-Tension and Insert Door**

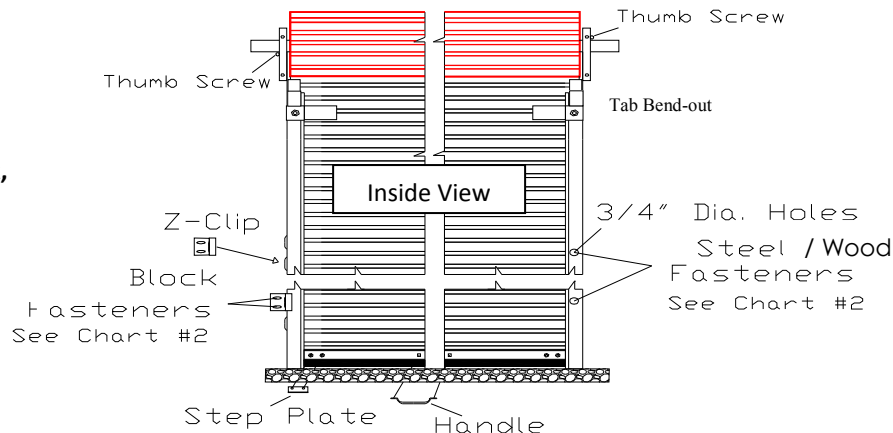


## 7 Attaching and aligning the track

- If you are installing to concrete you will need to attach the track Z-Clips to the mini-track. Wedge the track Z-Clips into the track slots at the bottom, center, and top of track. **See Figure #5**
- If you are mounting to steel, flush corridor, or wood jambs the track will have three 3/4" dia. clearance holes on the face of the track for direct attachment to the jambs. **See Figure #5**
- Before you secure the track to the jamb, pull the door curtain completely down to the floor. Push the bottom ends of the track in until you have approximately 1/8" clearance between the inside of the track and the edge of the door curtain.
- Secure track Z-Clips to block jamb or, on a steel/wood jamb, raise door curtain above clearance holes and secure to jamb.

## 8 Attaching step plate or handles to bottom edge

- If attaching a handle, remove 1/4-20 x 1/2" carriage bolts that are in the hardware bag. Install the handle on the outside face of the aluminum bottom edge, using the 1/4-20 x 1/2" carriage bolts and flange nuts. The handle is attached to the center. Once the handle is in place, fill in the remaining bottom edge holes with 1/4-20 x 1/2" carriage bolts and 1/4-20 flange nuts. (Unless you are still attaching a step plate.)
- If attaching a step plate, remove 1/4-20 x 1/2" carriage bolt that holds the bottom edge angle in place. Install the step plate on the outside face of the aluminum bottom edge, using 1/4-20 x 1/2" carriage bolts and 1/4-20 flange nuts in both holes. The step plate is attached to the right hand side of the door, or to preference. Once the step plate is in place, fill in the remaining bottom edge holes with 1/4-20 x 1/2" carriage bolts and 1/4-20 flange nuts. **See Figure #5**



**Figure #5**  
**Aligning and Securing Track, Handle, and Step Plate**

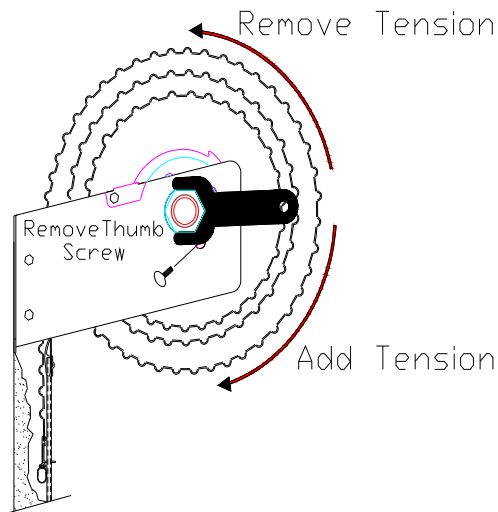
## 9 Click tension Adjustment Instructions

- A. Let door open all the way before adjusting the click tension device. The door will stop at the head stops.
- B. You will need to remove the thumb screw which secures the door before adjusting tension. You will only need to remove the screw from the side with the spring.

**NOTE:** Doors 9' wide and larger will have 2 springs. *Both springs must be tensioned equally*

**CAUTION:** Make sure that door is all the way **UP** before adding or removing tension. Keep a sure grip on the wrench. **REMEMBER SPRING AND DOOR ARE UNDER TENSION!**

- C. **Tighten/add tension:** Using the click tension wrench, pipe wrench, or a crescent wrench, tighten the spring by rotating the nylon bearing away from the wall in the direction shown. Adjust 1/4 turn at a time until desired tension is acquired. *See Figure #6*
- D. **Loosen/remove tension:** Using the click tension wrench, pipe wrench, or a crescent wrench, loosen the spring by lifting up the safety latch (located on the top of the support bracket) while restraining the spring tension with wrench and rotate nylon bearing towards the wall until desired tension is acquired. (Return safety latch after desired tension is acquired.) *See Figure #6*



**Figure #6 Click Tension Device**

PARTS LIST: MINI DOOR M3 SERIES		
Standard Hardware		
Item	# per Door	Picture
Flat Support Bracket (copes attached to door)	2	
Step Plate	1	
Handle	1	
Mini Door Backing Plates (steel/flush only)	2	
Rope	1	
Head Stop	2	
Z-Clip (Concrete/Block jamb)	4	
Click Tension Wrench (1 for every 50 doors)	1	
Standard Nuts and Bolts		
1/4-20x5/8" Rib Neck Carriage Bolt w/ Slot	4	
1/4-20x1" Rib Neck Carriage Bolt w/ Slot	2	
1/4-20x1/2" Carriage Bolt (4 in the bottom edge, 2 in handle)	6	
1/4-20 Flange Nut (4 in the bottom edge, 2 in handle)	12	
5/16-18x1/2" Thumb Screw	2	
Standard Fasteners(conditional)		
5/16"x1-7/8" Sleeve Anchor (Block/Concrete only)	8	
#14x3/4" Self Tapping Screws (Flush/Steel only)	14	
#8 Head 10 x1-1/2" Sharp Point (Wood only)	8	