

CF Flittings

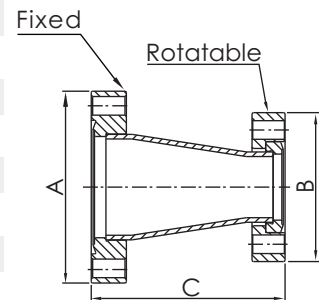


CF CONICAL REDUCING NIPPLES

*Material: SS 304L

*Tube Finish: Bead Blast

Part Number	Flange Size	A	B	C
CF-CRN-212x133	CF2.12"(DN25)/CF1.33"(DN16)	2.12"	1.33"	51.90
CF-CRN-275x133	CF2.75"(DN40)/CF1.33"(DN16)	2.75"	1.33"	78.30
CF-CRN-275x212	CF2.75"(DN40)/CF2.12"(DN25)	2.75"	2.12"	69.90
CF-CRN-338x212	CF3.38"(DN50)/CF2.12"(DN25)	3.38"	2.12"	70.30
CF-CRN-338x275	CF3.38"(DN50)/CF2.75"(DN40)	3.38"	2.75"	71.30
CF-CRN-450x275	CF4.50"(DN63)/CF2.75"(DN40)	4.50"	2.75"	75.20
CF-CRN-450x338	CF4.50"(DN63)/CF3.38"(DN50)	4.50"	3.38"	75.60
CF-CRN-462x275	CF4.62"(DN80)/CF2.75"(DN40)	4.62"	2.75"	104.50
CF-CRN-462x338	CF4.62"(DN80)/CF3.38"(DN50)	4.62"	3.38"	104.90
CF-CRN-462x450	CF4.62"(DN80)/CF4.50"(DN63)	4.62"	4.50"	108.70
CF-CRN-600x338	CF6.00"(DN100)/CF3.38"(DN50)	6.00"	3.38"	108.90
CF-CRN-600x450	CF6.00"(DN100)/CF4.50"(DN63)	6.00"	4.50"	112.70
CF-CRN-600x462	CF6.00"(DN100)/CF4.62"(DN80)	6.00"	4.62"	110.30



CF

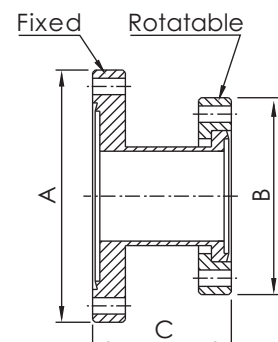


CF STRAIGHT REDUCING NIPPLES

*Material: SS 304L

*Tube Finish: Bead Blast

Part Number	Flange Size	A	B	C
CF-SRN-275x133	CF2.75"(DN40)/CF1.33"(DN16)	2.75"	1.33"	45.00
CF-SRN-450x133	CF4.50"(DN63)/CF1.33"(DN16)	4.50"	1.33"	70.00
CF-SRN-450x275	CF4.50"(DN63)/CF2.75"(DN40)	4.50"	2.75"	75.00
CF-SRN-600x275	CF6.00"(DN100)/CF2.75"(DN40)	6.00"	2.75"	127.00
CF-SRN-600x450	CF6.00"(DN100)/CF4.50"(DN63)	6.00"	4.50"	95.00
CF-SRN-800x275	CF8.00"(DN160)/CF2.75"(DN40)	8.00"	2.75"	127.00
CF-SRN-800x450	CF8.00"(DN160)/CF4.50"(DN63)	8.00"	4.50"	127.00
CF-SRN-800x600	CF8.00"(DN160)/CF6.00"(DN100)	8.00"	6.00"	127.00
CF-SRN-1000x275	CF10.00"(DN200)/CF2.75"(DN40)	10.00"	2.75"	127.00
CF-SRN-1000x450	CF10.00"(DN200)/CF4.50"(DN63)	10.00"	4.50"	127.00
CF-SRN-1000x600	CF10.00"(DN200)/CF6.00"(DN100)	10.00"	6.00"	127.00
CF-SRN-1000x800	CF10.00"(DN200)/CF8.00"(DN160)	10.00"	8.00"	127.00



*Note: SS 316LN (SS 316L Tube+ SS 316LN Flange) Material Available on Request.

*Note: Polished and Electro- Polished Tube Finishes Available on Request.