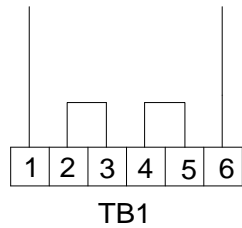
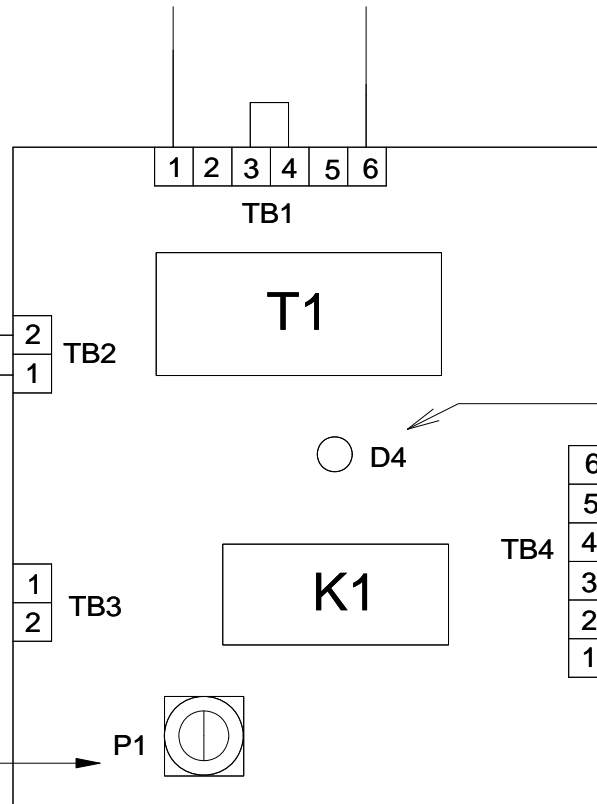


110v AC



220v AC



From Shunt

TB2-2 Negative (YELLOW)

TB2-1 Positive (RED)

Remove Jumper for Auto RESET

Tip Adjust

D4 IS ON WHEN TRIPPED

TB4-1 Common

TB4-2 N.O.

TB4-3 N.C.

TB4-4 Common

TB4-5 N.O.

TB4-6 N.C.

P1112

