

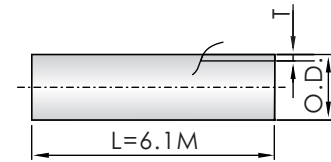
Butt Weld Fittings



Butt Weld Fittings

TUBE

*Surface Finish: MP / EP



Part Number (MP)	Part Number (EP)	Nominal Tube Size	Outside diameter at end	Wall thickness at end
		OD	OD	T
BW-TU-050-MP	BW-TU-050-EP	½"	12.70	1.24
BW-TU-075-MP	BW-TU-075-EP	¾"	19.05	1.65
BW-TU-100-MP	BW-TU-100-EP	1"	25.40	1.65
BW-TU-150-MP	BW-TU-150-EP	1½"	38.10	1.65
BW-TU-200-MP	BW-TU-200-EP	2"	50.80	1.65
BW-TU-250-MP	BW-TU-250-EP	2½"	63.50	1.65
BW-TU-300-MP	BW-TU-300-EP	3"	76.20	1.65
BW-TU-400-MP	BW-TU-400-EP	4"	101.60	2.11
BW-TU-600-MP	BW-TU-600-EP	6"	152.40	2.77

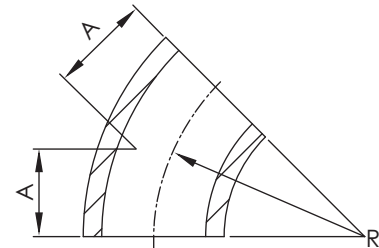
*Note: Other Lengths on Request.

WELD 45° ELBOWS

*Material: SS 304L



Part Number	Tube Size	Wall Thickness	A	R
BW-45EL-050	½"	1.65	7.95	19.10
BW-45EL-075	¾"	1.65	11.91	28.60
BW-45EL-100	1"	1.65	15.77	38.10
BW-45EL-150	1½"	1.65	23.67	57.15
BW-45EL-200	2"	1.65	31.57	76.20
BW-45EL-250	2½"	1.65	39.70	95.25
BW-45EL-300	3"	1.65	47.35	114.30
BW-45EL-400	4"	2.11	63.12	152.40

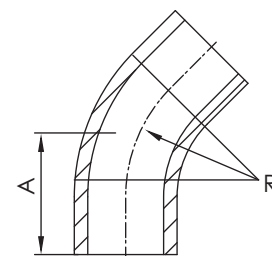


WELD 45° ELBOWS with TANGENTS

*Material: SS 304L



Part Number	Tube Size	Wall Thickness	A	R
BW-45ELT-075	¾"	1.65	19.40	28.60
BW-45ELT-100	1"	1.65	30.18	38.10
BW-45ELT-150	1½"	1.65	41.28	57.15
BW-45ELT-200	2"	1.65	58.72	76.20
BW-45ELT-250	2½"	1.65	76.20	95.25
BW-45ELT-300	3"	1.65	93.70	114.30
BW-45ELT-400	4"	2.11	122.20	152.40



*Note: SS 316L Material Available on Request.

BW

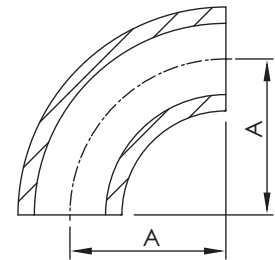
Butt Weld Fittings



WELD 90° ELBOWS

*Material: SS 304L

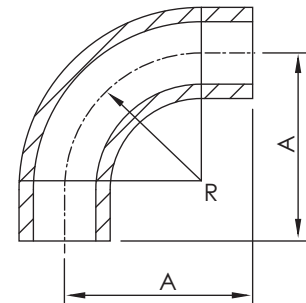
Part Number	Tube Size	Wall Thickness	A
BW-90EL-050	½"	1.65	19.10
BW-90EL-075	¾"	1.65	28.60
BW-90EL-100	1"	1.65	38.10
BW-90EL-150	1½"	1.65	57.15
BW-90EL-200	2"	1.65	76.20
BW-90EL-250	2½"	1.65	95.25
BW-90EL-300	3"	1.65	114.30
BW-90EL-400	4"	2.11	152.40



WELD 90° ELBOWS with TANGENTS

*Material: SS 304L

Part Number	Tube Size	Wall Thickness	A	R
BW-90ELT-075	¾"	0.89	36.07	25.40
BW-90ELT-075-1	¾"	1.65	64.78	28.60
BW-90ELT-100	1"	1.65	46.23	38.10
BW-90ELT-100-1	1"	1.65	52.40	38.10
BW-90ELT-150	1½"	1.65	61.21	57.15
BW-90ELT-150-1	1½"	1.65	74.60	57.15
BW-90ELT-200	2"	1.65	103.12	76.20
BW-90ELT-250	2½"	1.65	131.83	95.25
BW-90ELT-300	3"	1.65	160.30	114.30
BW-90ELT-400	4"	2.11	211.07	152.40



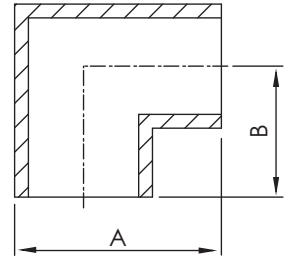
BW

*Note: SS 316L Material Available on Request.

Butt Weld Fittings

WELD 90° MITERED ELBOWS

*Material: SS 304L



Part Number	Tube Size	Wall Thickness	A	B
BW-MEL-075	¾"	1.65	34.93	25.40
BW-MEL-075-1	¾"	1.65	45.08	35.56
BW-MEL-075-2	¾"	1.65	45.63	36.10
BW-MEL-100	1"	1.65	60.20	47.50
BW-MEL-100-1	1"	1.65	60.45	47.75
BW-MEL-100-2	1"	1.65	58.90	46.20
BW-MEL-150	1½"	1.65	76.20	57.15
BW-MEL-150-1	1½"	1.65	80.26	61.21
BW-MEL-200	2"	1.65	91.44	66.04
BW-MEL-200-1	2"	1.65	101.30	75.90
BW-MEL-200-2	2"	1.65	102.10	76.70
BW-MEL-200-3	2"	1.65	101.60	76.20
BW-MEL-250	2½"	1.65	107.95	76.20
BW-MEL-250-1	2½"	1.65	127.00	95.25
BW-MEL-250-2	2½"	1.65	108.05	76.30
BW-MEL-300	3"	1.65	120.65	82.55
BW-MEL-300-1	3"	1.65	113.50	75.40
BW-MEL-400	4"	2.11	149.35	98.55
BW-MEL-400-1	4"	2.11	174.50	123.70
BW-MEL-600	6"	2.11	230.12	153.92

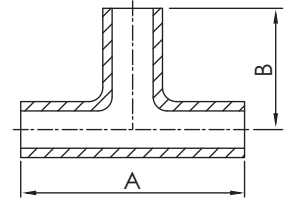
*Note: SS 316L Material Available on Request.

BW

Butt Weld Fittings

WELD EQUAL TEES

*Material: SS 304L

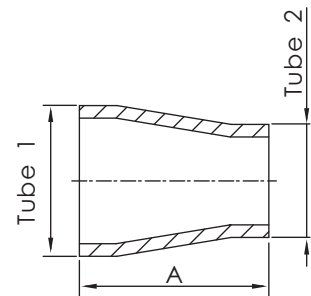


Part Number	Tube Size	Wall Thickness	A	B
BW-ET-050	½"	1.65	38.10	19.05
BW-ET-075	¾"	1.65	50.80	25.40
BW-ET-075-1	¾"	1.65	72.40	36.20
BW-ET-075-2	¾"	1.65	95.20	47.60
BW-ET-100	1"	1.65	91.40	45.70
BW-ET-100-1	1"	1.65	95.20	47.60
BW-ET-150	1½"	1.65	114.40	57.20
BW-ET-150-1	1½"	1.65	122.42	61.21
BW-ET-200	2"	1.65	132.58	66.29
BW-ET-200-1	2"	1.65	152.40	76.20
BW-ET-250	2½"	1.65	152.40	76.20
BW-ET-250-1	2½"	1.65	163.40	81.70
BW-ET-250-2	2½"	1.65	190.24	95.12
BW-ET-300	3"	1.65	165.20	82.60
BW-ET-300-1	3"	1.65	183.40	91.70
BW-ET-400	4"	2.11	196.80	98.40
BW-ET-400-1	4"	2.11	203.40	101.70
BW-ET-400-2	4"	2.11	247.56	123.78
BW-ET-600	6"	2.77	254.00	127.00
BW-ET-600-1	6"	2.11	307.80	153.90

BW

WELD CONICAL REDUCERS

*Material: SS 304L



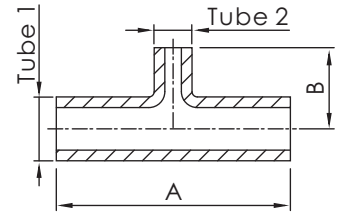
Part Number	Tube 1		Tube 2		A
	OD	T	OD	T	
BW-CRN-100x050	1"	1.65	½"	1.65	34.90
BW-CRN-100x075	1"	1.65	¾"	1.65	34.90
BW-CRN-150x050	1½"	1.65	½"	1.65	60.30
BW-CRN-150x075	1½"	1.65	¾"	1.65	60.30
BW-CRN-150x100	1½"	1.65	1"	1.65	60.30
BW-CRN-200x100	2"	1.65	1"	1.65	60.30
BW-CRN-200x150	2"	1.65	1½"	1.65	60.30
BW-CRN-250x150	2½"	1.65	1½"	1.65	60.30
BW-CRN-250x200	2½"	1.65	2"	1.65	60.30
BW-CRN-300x150	3"	1.65	1½"	1.65	92.10
BW-CRN-300x200	3"	1.65	2"	1.65	92.10
BW-CRN-300x250	3"	1.65	2½"	1.65	92.10
BW-CRN-400x150	4"	2.11	1½"	1.65	92.10
BW-CRN-400x200	4"	2.11	2"	1.65	92.10
BW-CRN-400x250	4"	2.11	2½"	1.65	92.10
BW-CRN-400x300	4"	2.11	3"	1.65	92.10

*Note: SS 316L Material Available on Request.

Butt Weld Fittings

WELD REDUCING TEES

*Material: SS 304L

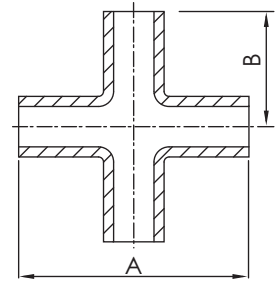


Part Number	Tube 1		Tube 2		A	B
	OD	T	OD	T		
BW-RT-100x050	1"	1.65	½"	1.65	95.50	25.40
BW-RT-100x075	1"	1.65	¾"	1.65	95.50	28.45
BW-RT-150x050	1½"	1.65	½"	1.65	114.30	31.75
BW-RT-150x075	1½"	1.65	¾"	1.65	114.30	35.05
BW-RT-150x075-1	1½"	1.65	¾"	0.89	114.30	35.05
BW-RT-150x100	1½"	1.65	1"	1.65	114.30	54.10
BW-RT-200x050	2"	1.65	1½"	1.65	152.40	38.10
BW-RT-200x075	2"	1.65	¾"	1.65	152.40	41.40
BW-RT-200x100	2"	1.65	1"	1.65	152.40	60.30
BW-RT-200x150	2"	1.65	1½"	1.65	152.40	63.50
BW-RT-250x150	2½"	1.65	1½"	1.65	152.40	69.85
BW-RT-250x200	2½"	1.65	2"	1.65	152.40	82.55
BW-RT-300x150	3"	1.65	1½"	1.65	165.10	76.20
BW-RT-300x200	3"	1.65	2"	1.65	165.10	88.90
BW-RT-300x250	3"	1.65	2½"	1.65	165.10	82.55
BW-RT-400x150	4"	2.11	1½"	1.65	197.10	88.90
BW-RT-400x200	4"	2.11	2"	1.65	197.10	101.60
BW-RT-400x250	4"	2.11	2½"	1.65	197.10	95.25
BW-RT-400x300	4"	2.11	3"	1.65	197.10	95.25
BW-RT-600x150	6"	2.11	1½"	1.65	254.00	114.30
BW-RT-600x200	6"	2.11	2"	1.65	254.00	127.00
BW-RT-600x250	6"	2.11	2½"	1.65	254.00	120.65
BW-RT-600x300	6"	2.11	3"	1.65	254.00	120.65
BW-RT-600x400	6"	2.11	4"	2.11	254.00	123.95

*Note: SS 316L Material Available on Request.

BW

Butt Weld Fittings



WELD 4-WAY EQUAL CROSSES

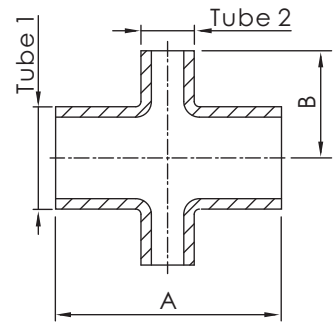
*Material: SS 304L

Part Number	Tube Size	Wall Thickness	A	B
BW-4C-050	½"	1.65	38.10	19.05
BW-4C-075	¾"	1.65	50.80	25.40
BW-4C-075-1	¾"	1.65	71.20	35.60
BW-4C-075-2	¾"	1.65	95.20	47.60
BW-4C-100	1"	1.65	95.20	47.60
BW-4C-100-1	1"	1.65	91.40	45.70
BW-4C-150	1½"	1.65	114.40	57.20
BW-4C-150-1	1½"	1.65	121.42	60.71
BW-4C-200	2"	1.65	152.40	76.20
BW-4C-200-1	2"	1.65	131.60	65.80
BW-4C-250	2½"	1.65	152.40	76.20
BW-4C-250-1	2½"	1.65	190.50	95.25
BW-4C-300	3"	1.65	160.28	80.14
BW-4C-300-1	3"	1.65	165.20	82.60
BW-4C-400	4"	2.11	196.80	98.40
BW-4C-400-1	4"	2.11	247.40	123.70
BW-4C-600	6"	2.77	254.00	127.00
BW-4C-600-1	6"	2.77	307.80	153.90

BW

*Note: SS 316L Material Available on Request.

Butt Weld Fittings



WELD 4-WAY REDUCING CROSSES

*Material: SS 304L

Part Number	Tube 1		Tube 2		A	B
	OD	T	OD	T		
BW-4RC-100x050	1"	1.65	½"	1.65	95.50	25.40
BW-4RC-100x075	1"	1.65	¾"	1.65	95.50	28.45
BW-4RC-150x050	1½"	1.65	½"	1.65	114.30	31.75
BW-4RC-150x075	1½"	1.65	¾"	1.65	114.30	35.05
BW-4RC-150x100	1½"	1.65	1"	1.65	114.30	54.10
BW-4RC-200x050	2"	1.65	½"	1.65	152.40	38.10
BW-4RC-200x075	2"	1.65	¾"	1.65	152.40	41.40
BW-4RC-200x100	2"	1.65	1"	1.65	152.40	60.45
BW-4RC-200x150	2"	1.65	1½"	1.65	152.40	63.50
BW-4RC-250x150	2½"	1.65	1½"	1.65	152.40	69.85
BW-4RC-250x200	2½"	1.65	2"	1.65	152.40	82.55
BW-4RC-300x150	3"	1.65	1½"	1.65	165.10	76.20
BW-4RC-300x200	3"	1.65	2"	1.65	165.10	88.90
BW-4RC-300x250	3"	1.65	2½"	1.65	165.10	82.55
BW-4RC-400x150	4"	2.11	1½"	1.65	197.10	88.90
BW-4RC-400x200	4"	2.11	2"	1.65	197.10	101.60
BW-4RC-400x250	4"	2.11	2½"	1.65	197.10	95.25
BW-4RC-400x300	4"	2.11	3"	1.65	197.10	95.25
BW-4RC-600x150	6"	2.11	1½"	1.65	254.00	114.30
BW-4RC-600x200	6"	2.11	2"	1.65	254.00	127.00
BW-4RC-600x250	6"	2.11	2½"	1.65	254.00	120.65
BW-4RC-600x300	6"	2.11	3"	1.65	254.00	120.65
BW-4RC-600x400	6"	2.11	4"	2.11	254.00	123.95

*Note: SS 316L Material Available on Request.

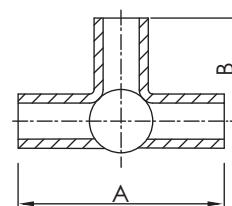
Butt Weld Fittings



WELD 5-WAY CROSSES

*Material: SS 304L

Part Number	Tube Size	Wall Thickness	A	B
BW-5C-075	¾"	1.65	50.80	25.40
BW-5C-075-1	¾"	1.65	67.30	33.65
BW-5C-100	1"	1.65	95.40	47.70
BW-5C-100-1	1"	1.65	91.40	45.70
BW-5C-150	1½"	1.65	114.40	57.20
BW-5C-200	2"	1.65	152.40	76.20
BW-5C-250	2½"	1.65	152.40	76.20
BW-5C-250-1	2½"	1.65	190.26	95.13
BW-5C-300	3"	1.65	165.20	82.60
BW-5C-400	4"	2.11	197.20	98.60
BW-5C-400-1	4"	2.11	247.40	123.70
BW-5C-600	6"	2.77	254.00	127.00
BW-5C-600-1	6"	2.77	307.80	153.90



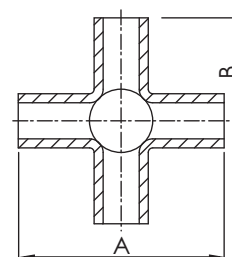
BW



WELD 6-WAY CROSSES

*Material: SS 304L

Part Number	Tube Size	Wall Thickness	A	B
BW-6C-075	¾"	1.65	50.80	25.40
BW-6C-075-1	¾"	1.65	67.30	33.65
BW-6C-100	1"	1.65	95.40	47.70
BW-6C-150	1½"	1.65	114.40	57.20
BW-6C-200	2"	1.65	152.40	76.20
BW-6C-250	2½"	1.65	152.40	76.20
BW-6C-250-1	2½"	1.65	190.26	95.13
BW-6C-300	3"	1.65	165.20	82.60
BW-6C-400	4"	2.11	197.20	98.60
BW-6C-400-1	4"	2.11	247.40	123.70
BW-6C-600	6"	2.77	254.00	127.00
BW-6C-600-1	6"	2.77	307.80	153.90



*Note: SS 316L Material Available on Request.