



Herrnhuter Sterne GmbH
02747 Herrnhut
Oderwitzer Straße 8
Tel. +49-3 58 73-3 64-11
Fax +49-3 58 73-3 64-16

Assembly instructions for the paper star

Sizes: | 4, diameter ca. 40 cm (1ft, 4 in)
| 6, diameter ca. 60 cm (2ft)
| 7, diameter ca. 70 cm (2ft, 3 in)
| 8, diameter ca. 80 cm (2ft, 6 in)

Colours: Yellow, white, red,
yellow-red, white-red,
yellow with red centre, white with red centre

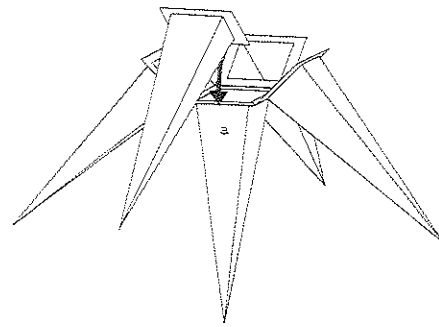
Make sure to follow the instructions **exactly!**

Because of transportation the points may adhere to each other. In this case turn the bases of the points diagonally against each other and try to loosen them carefully. To avoid this problem after reassembling the star, please put the points sticking seam over sticking seam loosely in the box and store it dry.

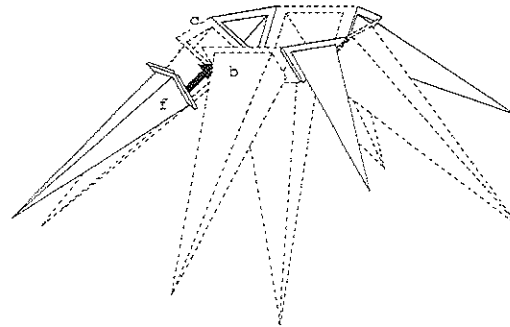
The Moravian Herrnhut Star consists of 17 square and 8 triangular points. The package also contains the clips needed for assembly, 1 hanging up bar and 2 extra points.

Assembly:

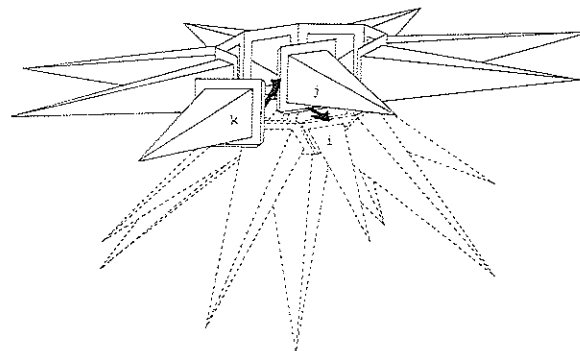
1. Your first step is to use a small, sharp instrument to complete the holes in the base borders of all the points. Do this from **below**, directing the tip of the instrument toward the tip of the point.
2. Start by choosing a square point (a), for the bottom of the star.
(For assembling a yellow-red or a white-red star, take a **red** square point to start. The next square points which can be assembled must be yellow [white]. That means that with these stars the base borders of all red points are situated visibly outside after the final assembly.)
Using the clips, fasten 4 more square points to its sides. (Bend the metal clips over.) The base borders of the 4 square points must be **inside** the base border of the bottom square point (a).



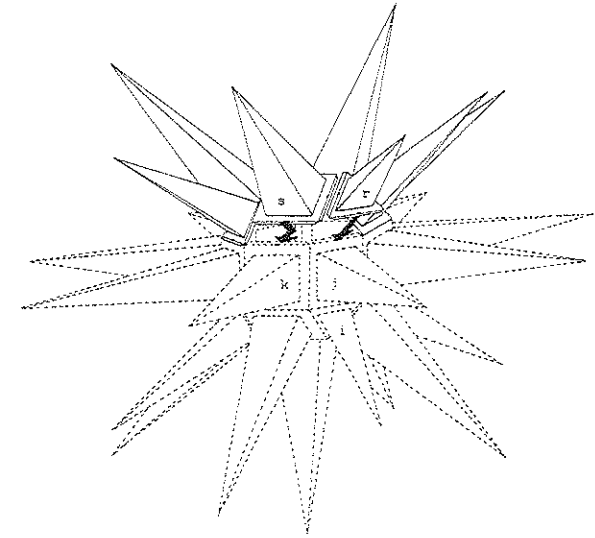
3. Now use 4 triangular points to fill the spaces between the square points. The base borders of the triangular points, like (f), must be on the **outside** of the base borders of the adjacent square points, like (b) and (c).



4. Now fasten on a ring of 8 square points. Start at a triangular point, like (i). The base border of the first square point, (j), must be fastened **inside** the base border of the triangular point, (i). The neighboring square point, (k), must be added on the **outside**. The next square point again is fastened **inside** and so on around the circle until the ring is complete. For yellow-red or white-red star red and yellow or white points in turns.



5. The upper hemisphere must be assembled starting with a triangular point, like (r). Fasten it to the **outside** of a square point, like (i), that is located above a triangular point (i) in the lower half. Then take a square point, like (s), and fasten it to the **inside** of the square point, (k). Follow this with a triangular point on the outside, and continue until this next ring is finished.



At the top is a square gap into which an electric light bulb can be fitted. In order to hang the star up snatch the hanging up bar over the cable.

(Centring upward when assembling underneath the screw cap of the strain relief; centring downward when assembling above the strain relief.)

The pins of the hanging up bar are put from down into the free holes of the opposite base borders.

(There is a similar procedure using the cable that is available as an accessory.)

Attention!

1. The electric light bulb may not exceed **40 Watts**.
2. The electric light bulb has to be **centred** inside the star.
3. Do **not** hang the star near inflammable materials!
4. The star may be used for decoration only. **It is not a toy!**
5. Do not store the star in a wet environment. Avoid extreme temperatures.

Subject to change. (08/09)