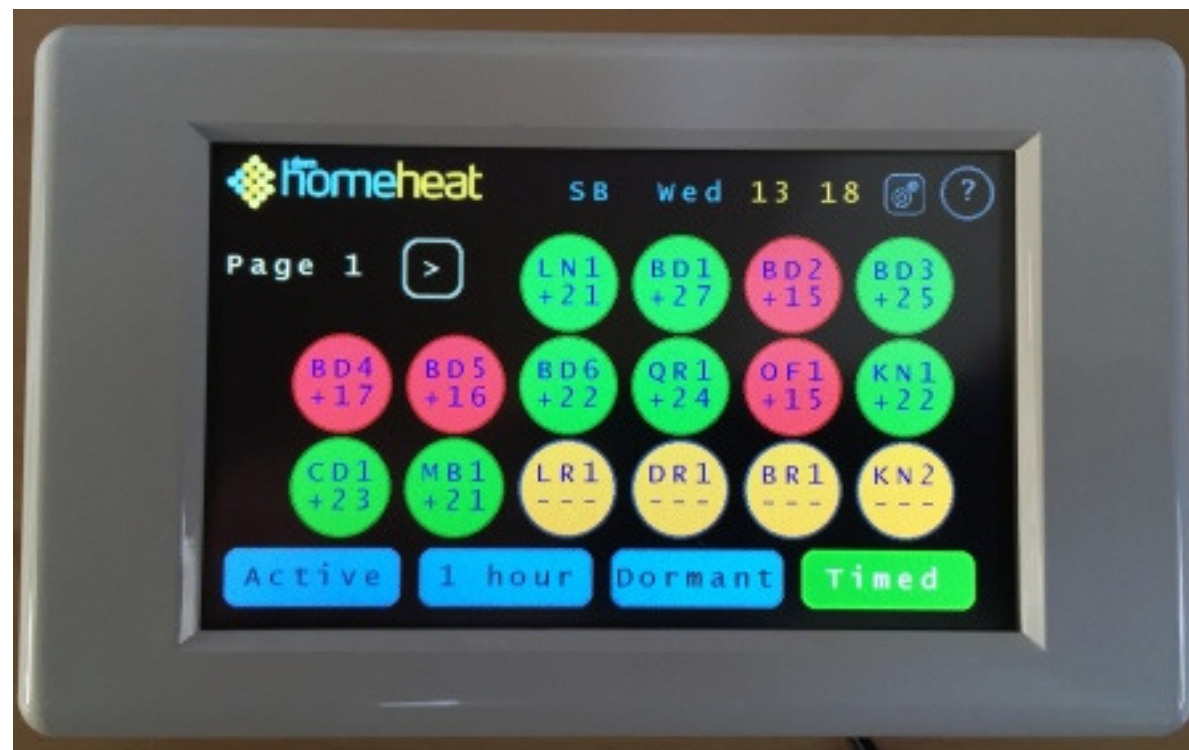
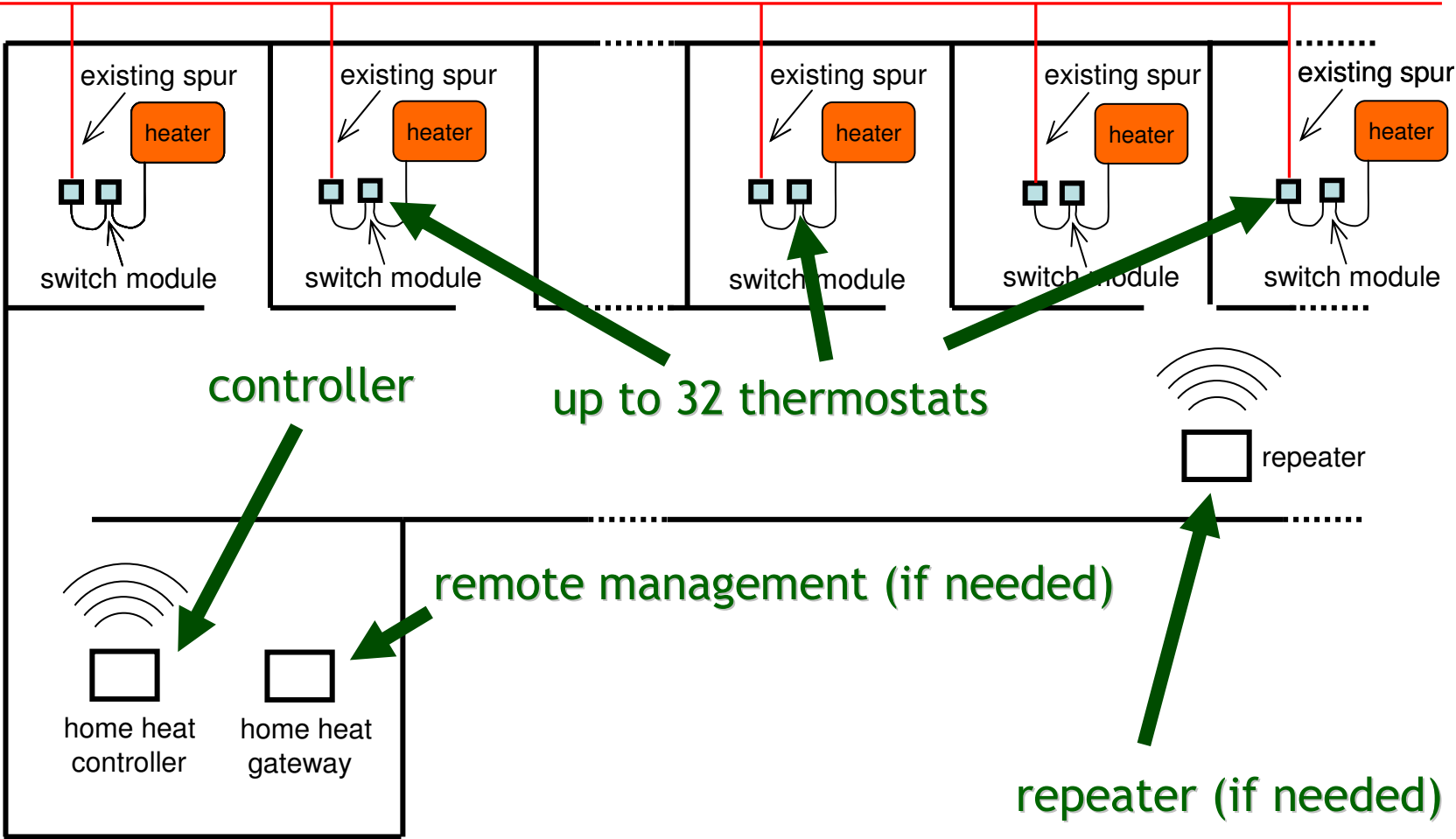




the comprehensive electric heater management system for home, office, residential and commercial premises



Control all your heaters from a central location



dsm home heat controller ...

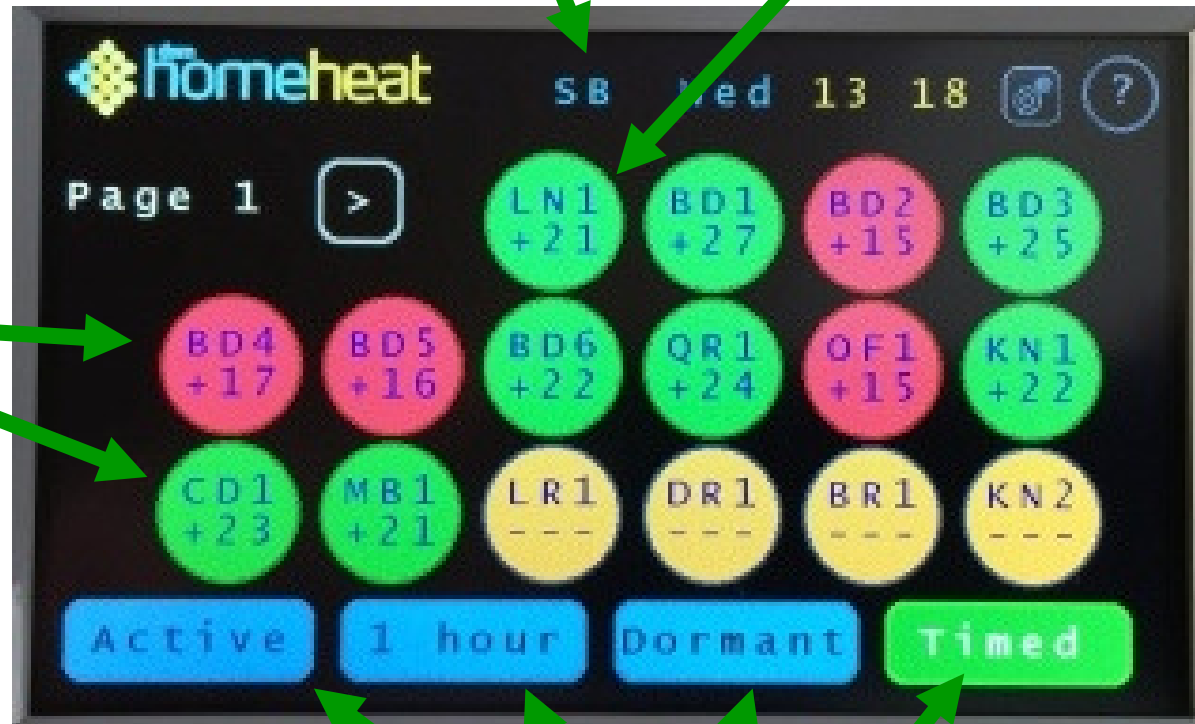
- ✓ simple to set up using colour touch-screen
- ✓ up to 32 radio thermostats per controller
- ✓ up to 8 controllers per installation
- ✓ up to 7 range-extenders per controller
- ✓ program target, set-back, and minimum temperatures per room
- ✓ up to 6 timers can be set per room
- ✓ set-back override and timing functions
- ✓ PIN anti-tamper security option
- ✓ user-defined or standard room names

touch-screen control

set-back override and status

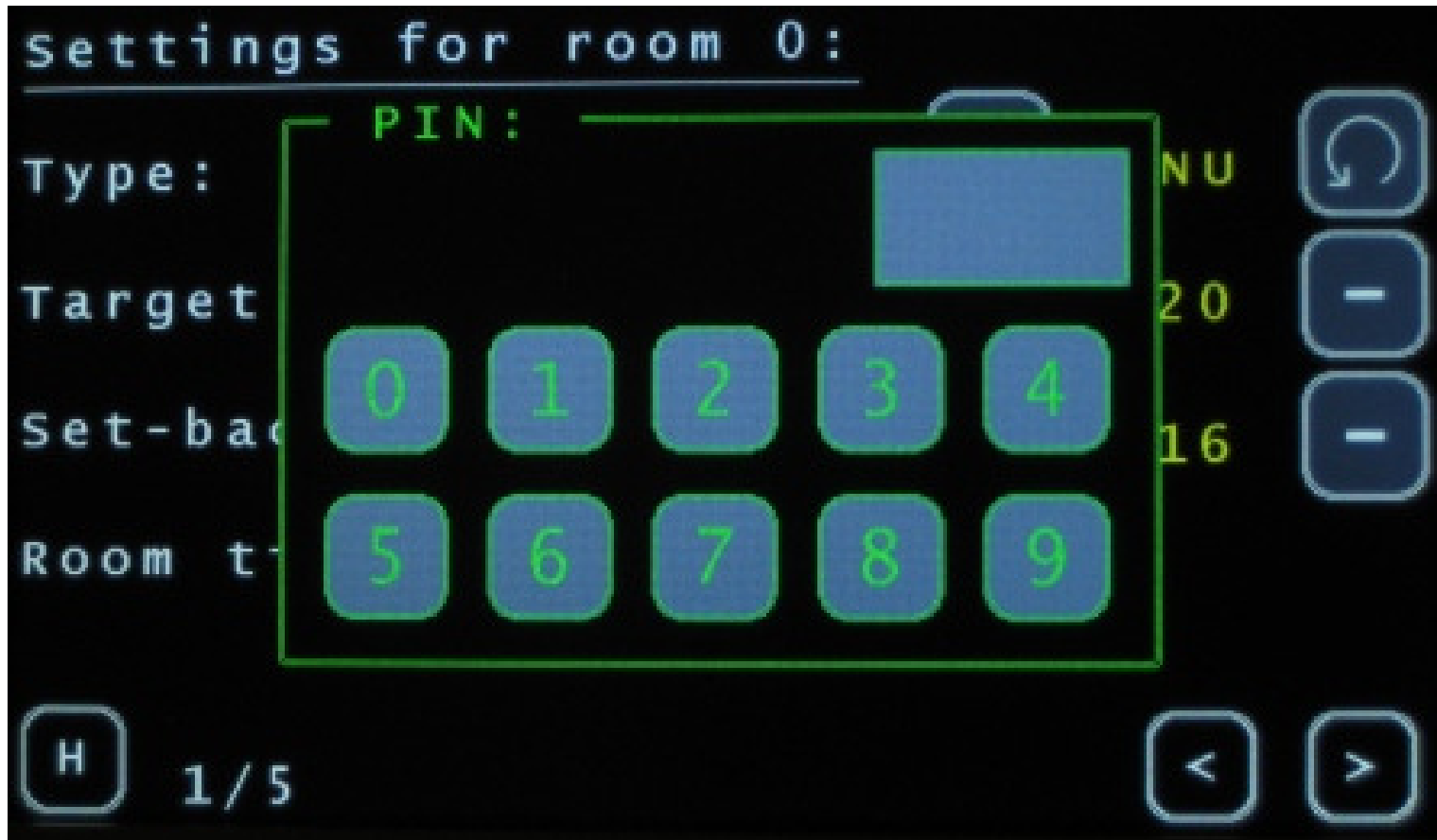
room heater status indicated by colour

room touch buttons



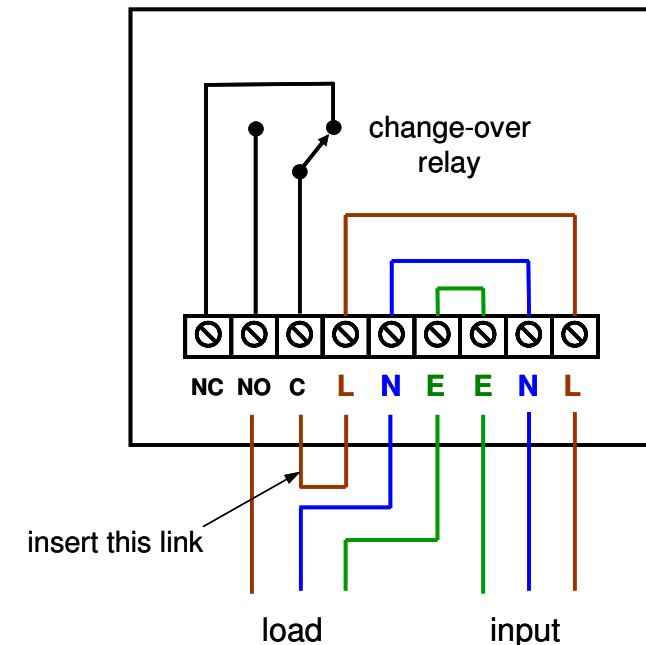
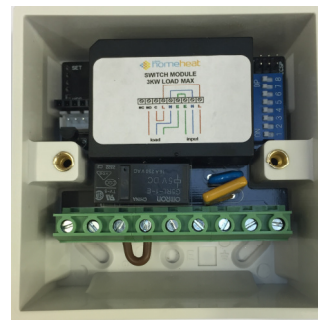
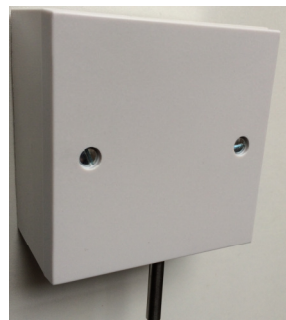
global override buttons

PIN entry security



dsm home heat radio thermostat ...

- ✓ fits into standard single surface accessory box, or double recessed box
- ✓ 13A contacts for loads up to 3 KW
- ✓ easy installation and wiring using screw terminals
- ✓ reports room temperature to controller



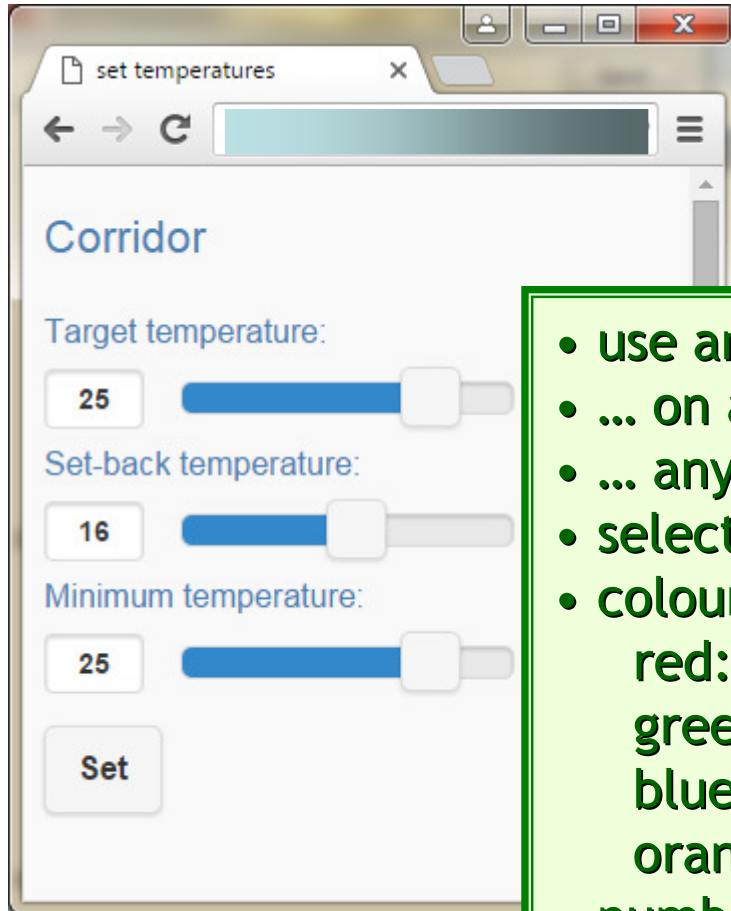
dsm home heat repeater ...

- ✓ extend the radio range where necessary
- ✓ self setting: just specify the radio channel
- ✓ up to seven repeaters per controller
- ✓ repeaters can communicate with other repeaters
- ✓ fit and forget

dsm home heat Gateway ...

- ✓ remote temperature management and control from anywhere in the world
- ✓ dsm home heat Gateway is a web server which plugs in to your router
- ✓ use any browser (Chrome, IE, Safari etc.)
- ✓ ... on any platform (phone, tablet etc.)
- ✓ see room heater status and room temperature
- ✓ program target, set-back and minimum temperatures
- ✓ operate the global override and set-back controls

Remote management ...



- use any browser...
- ... on any platform...
- ... anywhere connected
- select by touch or click
- colour shows status:
 - red: heater on
 - green: heater off
 - blue: heater dormant
 - orange: error
- number shows room temperature



Support

- ✓ 2 years warranty offered
- ✓ second-line telephone support available
- ✓ individual requirements can be met for very large projects (e.g. branding, bespoke program features etc.)
- ✓ controllers can be re-flashed post-fit