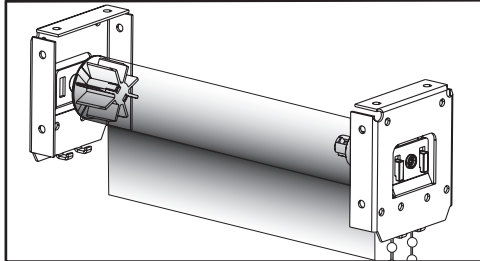
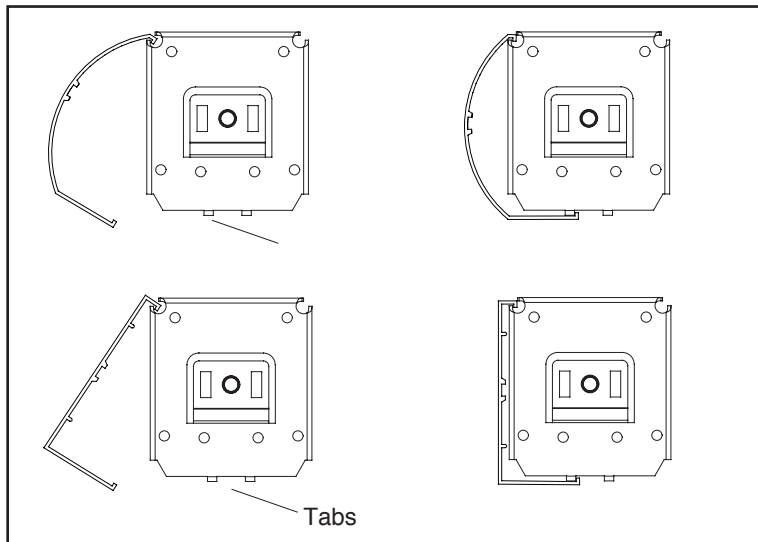


Skyline 3" & 4" Fascia Installation



Attaching 3 inch Fascia

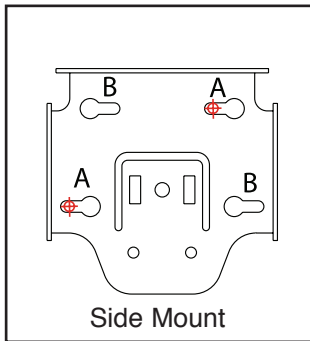
- 1.) Fascia may be cut to the dimension "A" as determined on formula on page SL-20, no deductions are required to accommodate brackets.
- 2.) Hook the fascia on the top of bracket first, and rotate downward. Press until the bottom hooked feature on the fascia engages and is locked to the tabs of the bracket.



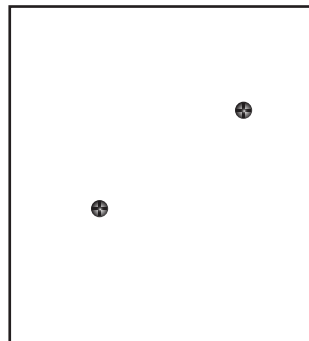
Skyline 3" & 4" Fascia Installation

Installing RollEase Skyline™ 4 inch Fascia Brackets

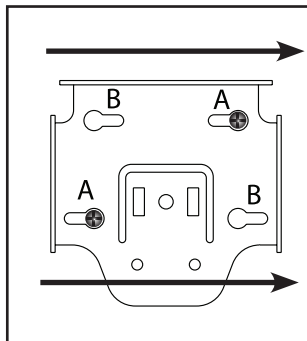
Skyline 4 inch brackets include slotted mounting holes, allowing, pre-marking and attaching of the mounting screws without the bracket needing to be in place. Brackets may be installed as usual without taking advantage of the slotted holes and pre-marking as well.



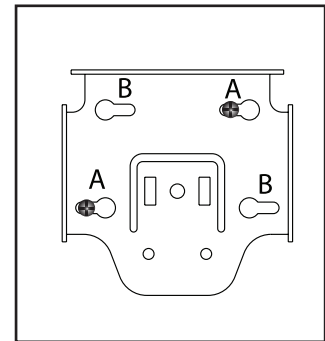
1.) Hold the mounting bracket in position in the window and mark the location where the screws should be positioned in either both A & A locations or B & B locations.



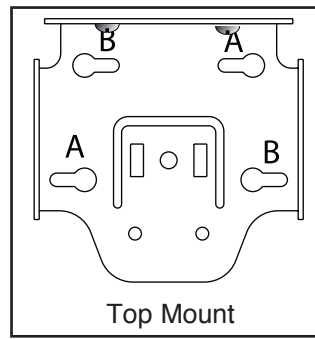
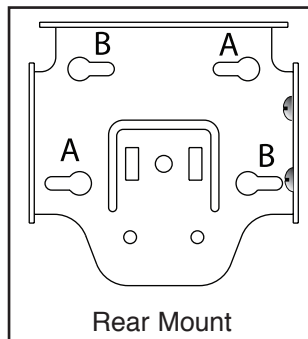
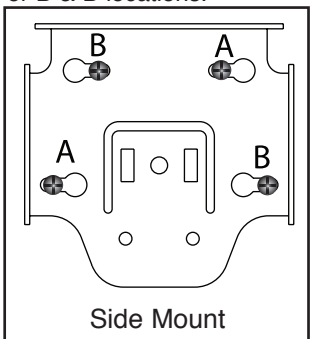
2.) Partially screw in both screws where marked with appropriate anchoring system.



3.) Slip the mounting bracket over the two screws and slide the bracket sideways until the screws heads capture the bracket.



4.) Fully tighten these screws.

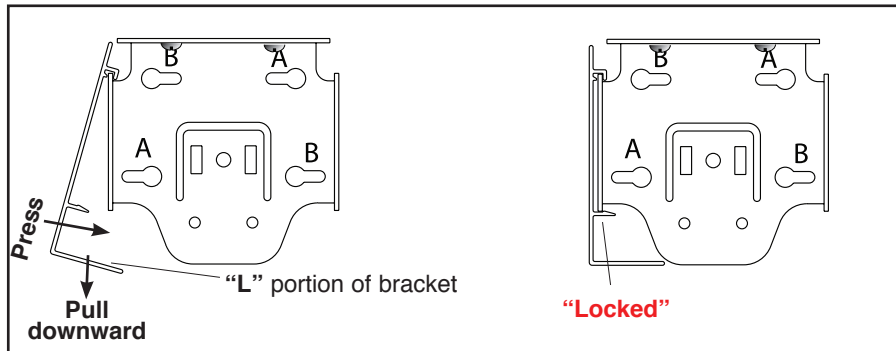
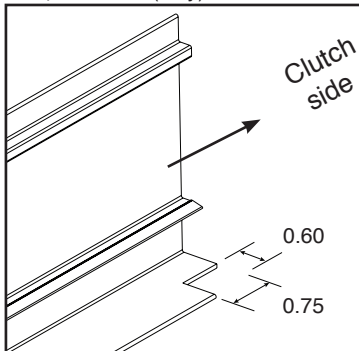


Skyline 3" & 4" Fascia Installation

5.) Install additional screws in the additional two holes if required.

6.) The bracket contains other slotted mounting holes for rear or top mounted shades.

SL-30, SLG-400 (only) Fascia Notching



Attaching 4 inch Fascia

Note: 4 inch fascia for use with SL-30 and SLG-400 requires notching.

- 1.) Fascia may be cut to the exact desired width, no deductions are required to accommodate brackets, etc..
- 2.) Hook the fascia on the top of bracket first and rotate downward. While pressing the the panel towards the bracket grab the "L" and pull downward on it until the hooked feature on the fascia engages and is locked to the bracket.