



# Auto Purge with Motorized Ball Valve

**ABV Series**

**Heavy-duty solids purging systems to eliminate routine manual purging. Fully electric - fully automatic.**

Flush separated solids from your LAKOS Separator at intervals you select: never too often, never too late.

- Saves valuable liquids
- Assures maximum performance
- Eliminates costly manual routine labor
- Promotes concentrated solids purging for easy handling

The durable LAKOS Motorized Ball Valve is capable of handling all fine solids, fibrous solids and mild abrasives. It's also effective for purging all typical solids (specific gravities less than 3.6). The valve's pressure-sealed stem arrangement allows line pressure to actually enhance its shut-off sealing ability, providing further resistance against leakage.

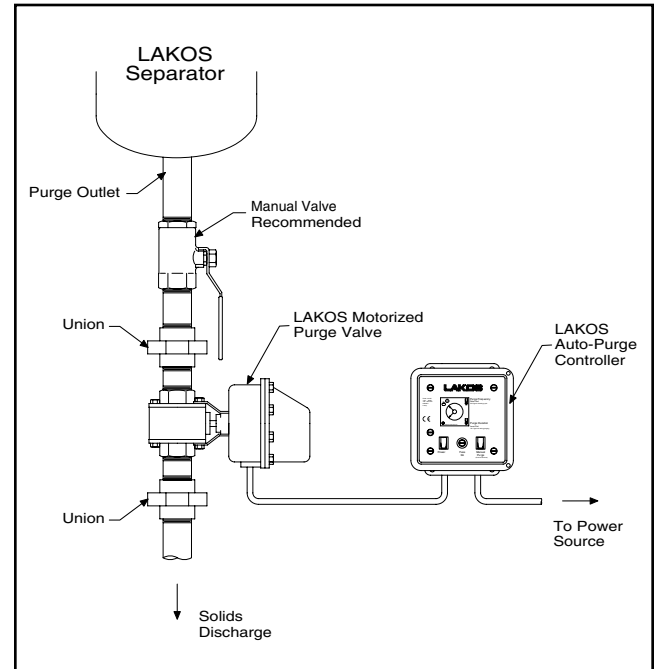
The specially matched actuator (to operate the valve) boasts a long list of manufactured features to assure trouble-free operation. Included are:

- Heat-treated, high-alloy gears
- Rugged, high-torque shaded-pole single phase motor
- Integral overload protection
- Permanently lubricated housing eliminates routine maintenance
- NEMA-4x rated valve housing
- Voltage options 120 or 240 VAC

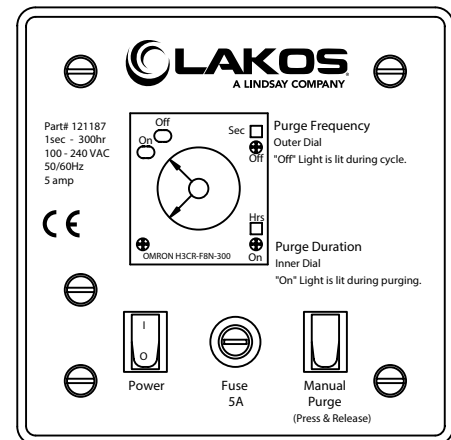
## Controller

- Fully unattended automatic operation
- Serves worldwide single-phase voltages, from 100 to 240 VAC, 50/60Hz (5 amp max.) Consult factory for additional voltage options
- 0-300hr for programming purge cycle frequency and duration
- Solid state reliability; no routine maintenance required
- Durable NEMA-4x rated housing; IP 66 equivalent
- Compression molded, fiberglass reinforced polyester housing
- Box is UL, CSA rated, completed controller meets CE requirements
- Non-volatile memory - all controller settings are maintained in the event of a loss of power; no programming required

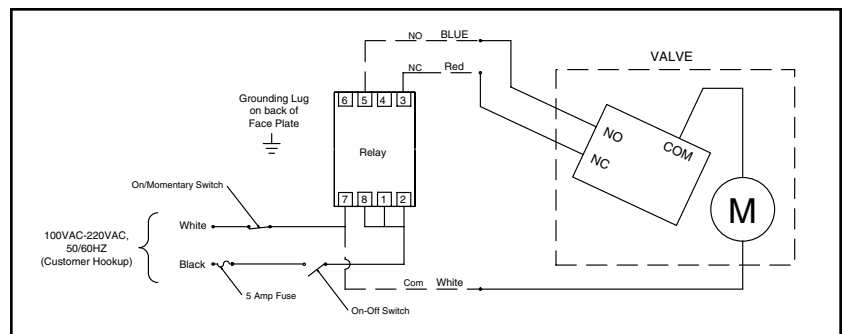
### SUGGESTED INSTALLATION



### CONTROLLER FACE



### WIRING DIAGRAM



See reverse for additional specifications

**LAKOS**  
A LINDSAY COMPANY

