

4-POST LIFTS

4115 SERIES SITE SPECIFICATIONS



BAY HEIGHT: 78" rise + vehicle height

BAY WIDTH: 12' recommended

BAY DEPTH: 24' recommended/26' recommended for extended models

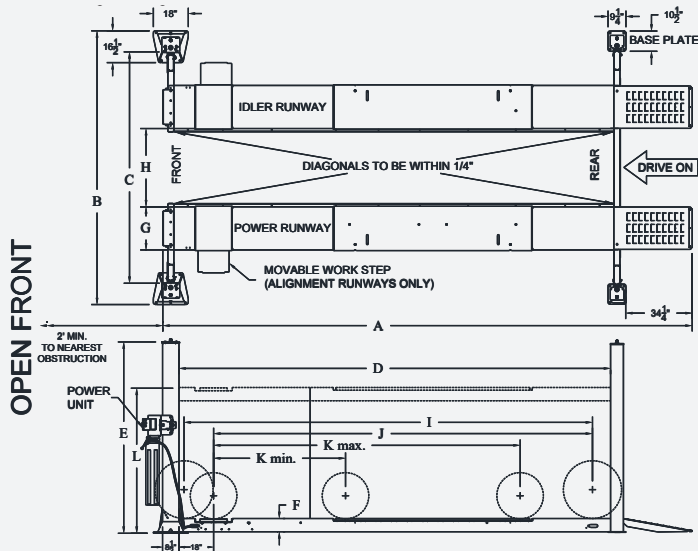
POWER REQUIRED: 208-230v Single Phase*, 30-amp breaker

AIR REQUIRED: 90-120 psi

MIN. CONCRETE SPEC:

4" thick, reinforced, free from cracks/seams, rated at 3500+ psi, cured at least 28 days

SERVICE BAY LAYOUT



Model Number	4115EFO	4115XFO	4115EFX	4115XFX
Description	Standard, Open-Front, Flat Deck	Extended Length, Open-Front, Flat Deck	Standard, Closed-Front, Flat Deck	Extended Length, Closed-Front, Flat Deck
Lifting Capacity	15,000 lbs.	15,000 lbs.	15,000 lbs.	15,000 lbs.
Open or Closed Front	Open	Open	Closed	Closed
Maximum Wheelbase	183"	210.5"	183"	210.5"
Maximum 2-Wheel Alignment	-	-	-	-
Maximum 4-Wheel Alignment	-	-	-	-
Rise Height	78"	78"	78"	78"
Overall Length	250.75"	277"	247.625"	275.5"
Overall Width	Front: 142" Rear: 141.75"	Front: 142" Rear: 141.75"	141.75"	141.75"
Inside Columns (Left to Right)	Front: 120.75" Rear: 125.5"	Front: 120.75" Rear: 125.5"	125.5"	125.5"
Between Columns (Front to Rear)	195"	222.5"	196"	223.5"
Height of Columns	Front: 99.25" Rear: 98"	Front: 99.25" Rear: 98"	98"	98"
Width of Runways	22.375"	22.375"	22.375"	22.375"
Height of Runways	7"	7"	7"	7"
Width Between Runways	40.625"	40.625"	40.625"	40.625"
Air Supply Required	90-120 psi	90-120 psi	90-120 psi	91-120 psi
Standard Motor/Voltage*	3HP, 208v-230v, 60Hz, 1Ph	3HP, 208v-230v, 60Hz, 1Ph	3HP, 208v-230v, 60Hz, 1Ph	3HP, 208v-230v, 60Hz, 1Ph
Rise Time	85s	85s	85s	85s
Required Ceiling Height	14' x 24'	14' x 26'	12' x 24'	12' x 26'
ALI Certified	✓			
Available Colors				

* Lift capacity ratings are based on loads equally distributed on all four arms.