

ER73TD

spotter



VIDEO PROFESSIONAL
WHEEL BALANCER
FOR TIRE DEALERS

PERFECT BALANCING
IN JUST ONE SPIN

ER73TD WHEEL BALANCER

is made especially for busy tire shops and tire dealers. This new series has the latest technology in wheel balancing: "Spotter" laser that actually pinpoints the exact location for the placement of stick-on wheel weights.



CEMB[®] **USA**

ER73TD

SPOTTER

- **STATIC UNBALANCE ALWAYS DISPLAYED ON SCREEN**
for full-time accuracy

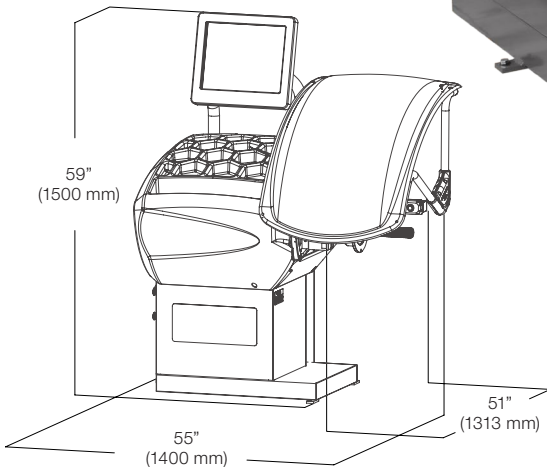
CEMB® PATENT

- **VDD Virtual Direct Drive**
Quick measurement system
- **NEW AUTOMATIC ARM**
to measure automatically diameters up to 30"
- **EMS RUNOUT SONAR (optional):**
Automatic and quick radial runout measurement with sonar during normal balancing cycle
- **ELECTROMAGNETIC BRAKE**
holds the wheel in position
- **Designed especially for tire dealers**

- **WIDTH SONAR 3D**
for automatic measurement of wheel width
- **Made in ITALY**
- **LED**
to light the work space inside the rim



- **SPOTTER LASER SYSTEM**
Fully automatic spot-on laser for best and quickest correction possible (no manual operations)



Power requirements
Balancing speed
Measuring cycle for 15 kg (33 lbs) wheel
Unbalance resolution
Rim width setting range
Rim diameter setting range
Max. tire diameter
Max. wheel weight
Shaft diameter
Machine weight

110 VAC
100 rpm
4.7 s
< 0.01 oz (<1 g)
1.5" - 20" (40 - 510 mm)
10" - 30" (265 - 765 mm)
42" (1,067 mm)
165 lbs (75 Kg)
40 mm
390 lbs (177 Kg)

STANDARD ACCESSORIES

UC20/2 GLM40 41FF83150  MANUAL LOCKING



OPTIONAL ACCESSORIES

- RL CUP - 41FF79255
- SR-USA STUD ADAPT. - 41FF56189
- SRU345 STUD ADAPT. - 41FFA6478
- 2-PIECE TRUCK CONE KIT - 41FF86174
- CERTIFICATE PRINTER - 860P63297
- WBL81 WHEEL LIFT - 46FL85170-KIT

For a complete list of accessories and more information visit our website www.cemb-usa.com

CEMB® USA

CEMB® USA - BL Systems Inc.
2873 Ramsey Road, Gainesville GA 30501 - USA
Phone +1 (678) 717-1050 - sales@cemb-usa.com
www.cemb-usa.com



Because of continuing technological advancements, specifications, models and options are subject to change without notice.