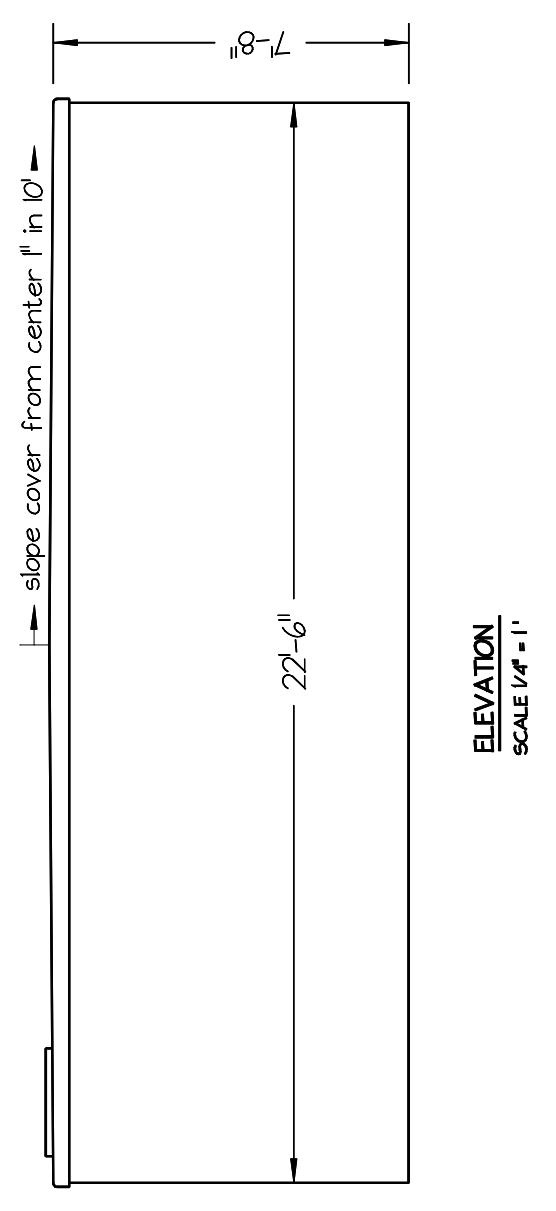
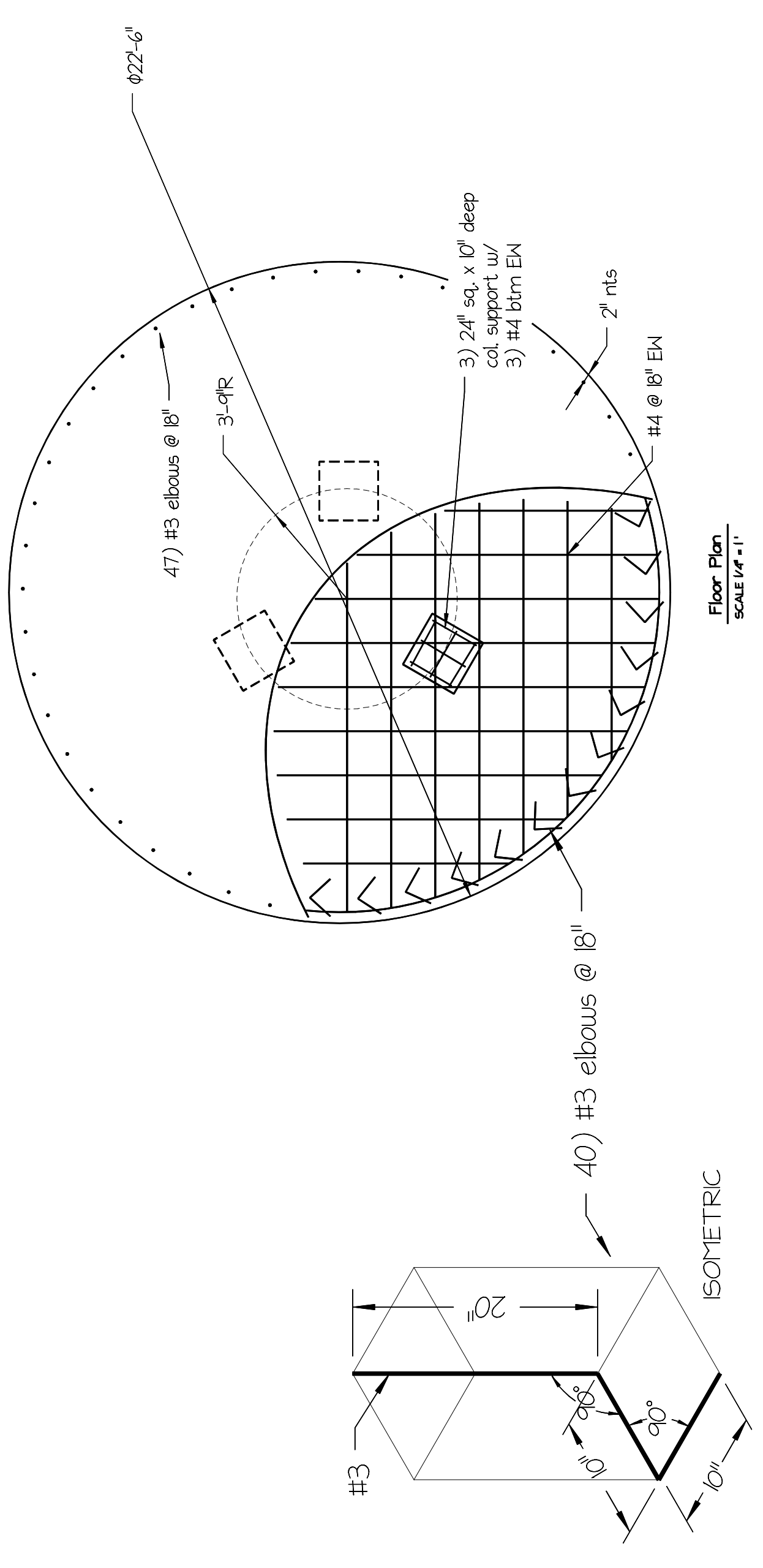
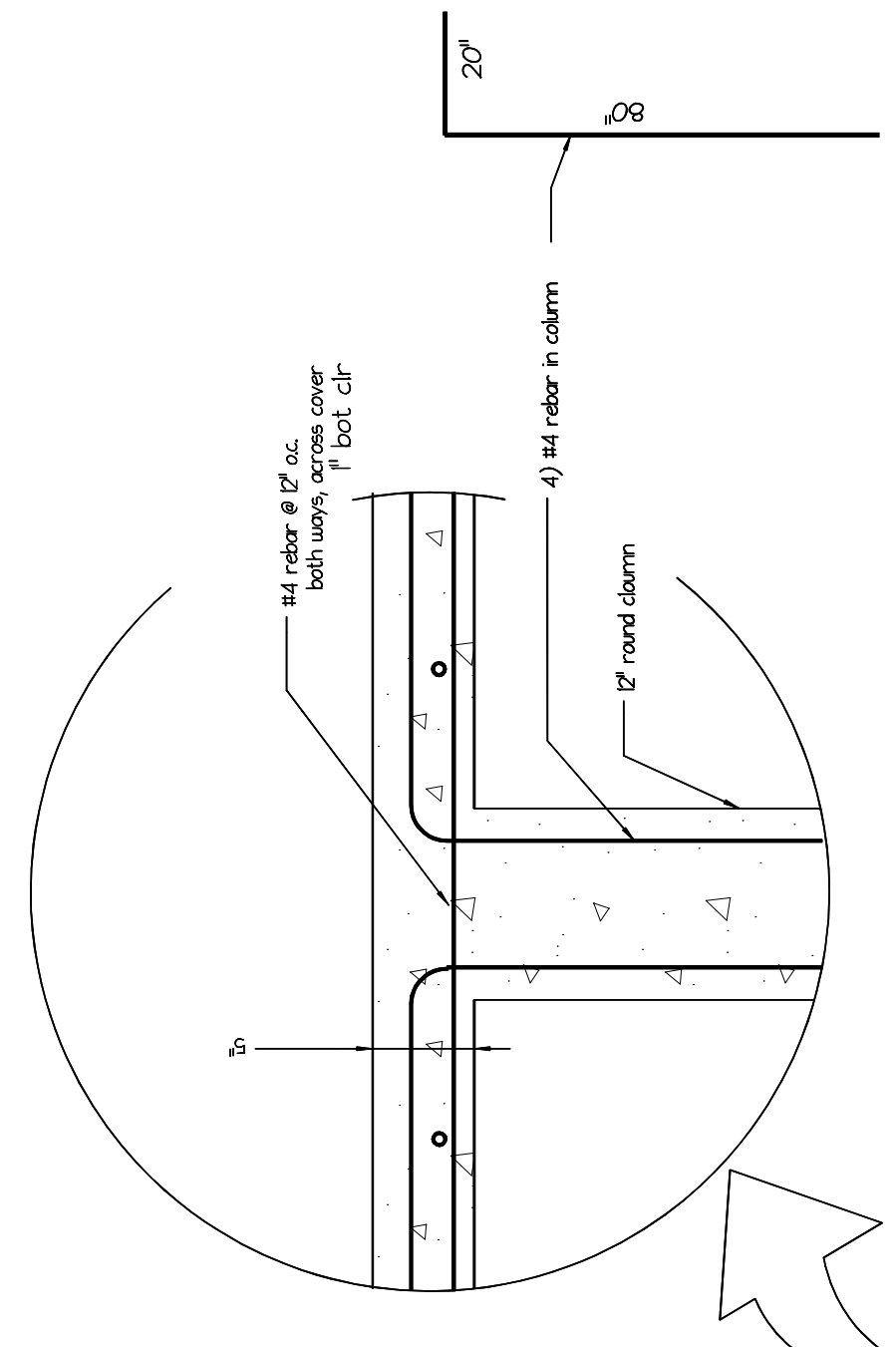


SECTION
not to scale

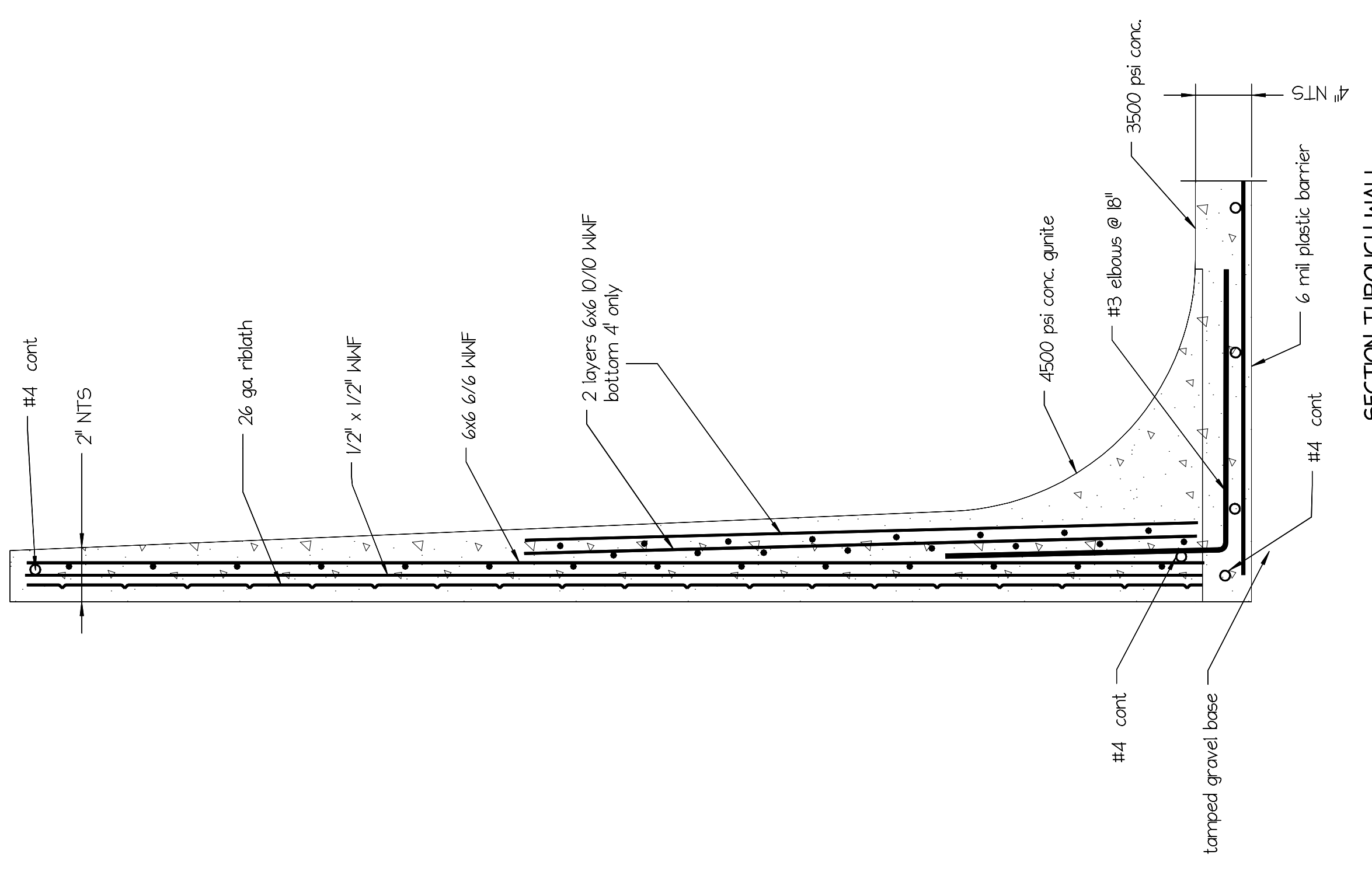


ELEVATION
SCALE 1/4" = 1'

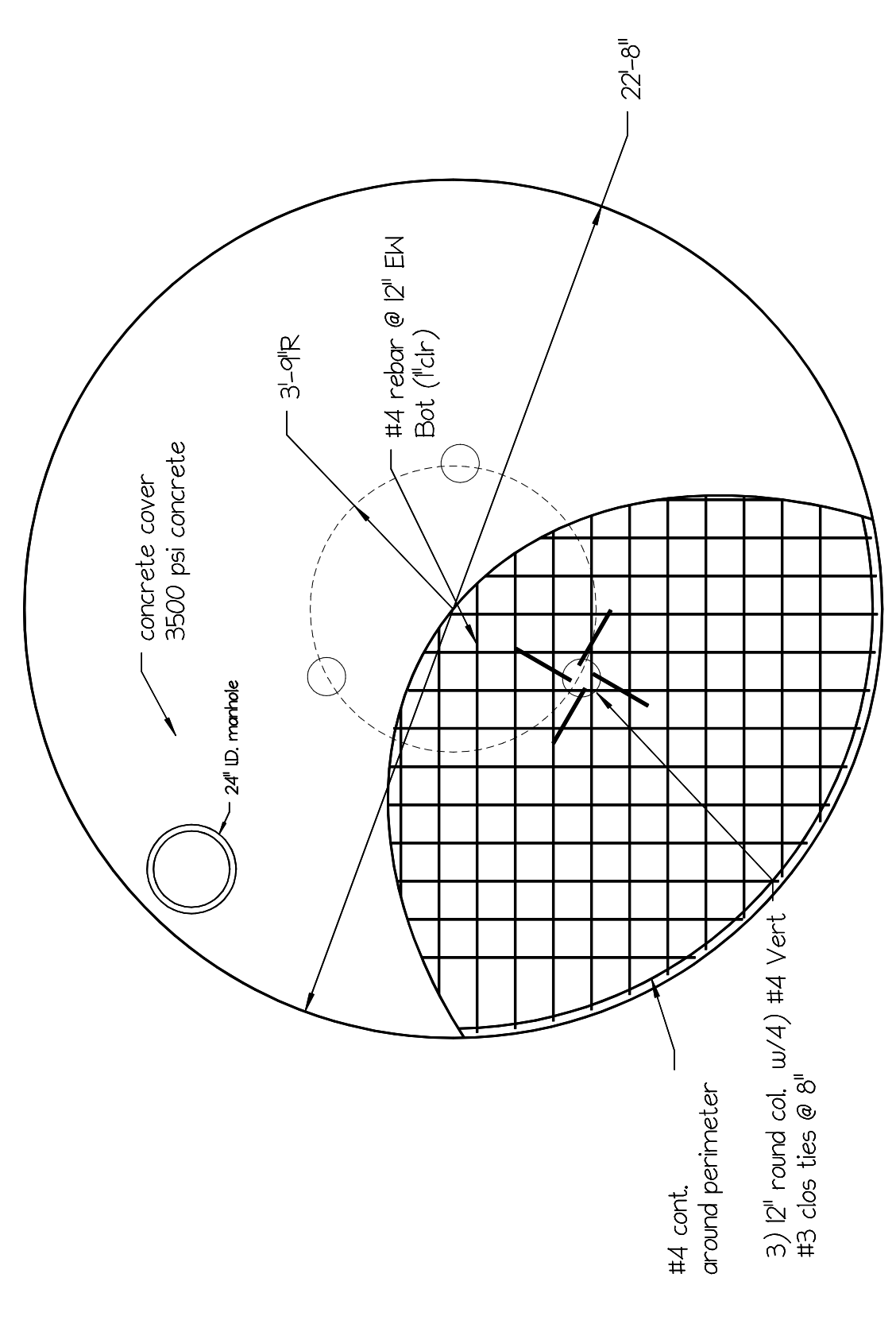
- NOTES:
- * Interior of tank coated with cement based, NSF approved water proofing. (Tegraproof or Equiv.)
 - * Exterior walls coated with Tamoseal or equivalent cement based sealer.
 - * All plumbing runs under foundation.



Floor Plan
SCALE 1/4" = 1'



SECTION THROUGH WALL
not to scale



COVER
SCALE 1/4" = 1'

20,000 GALLON FERROCEMENT
WATER TANK