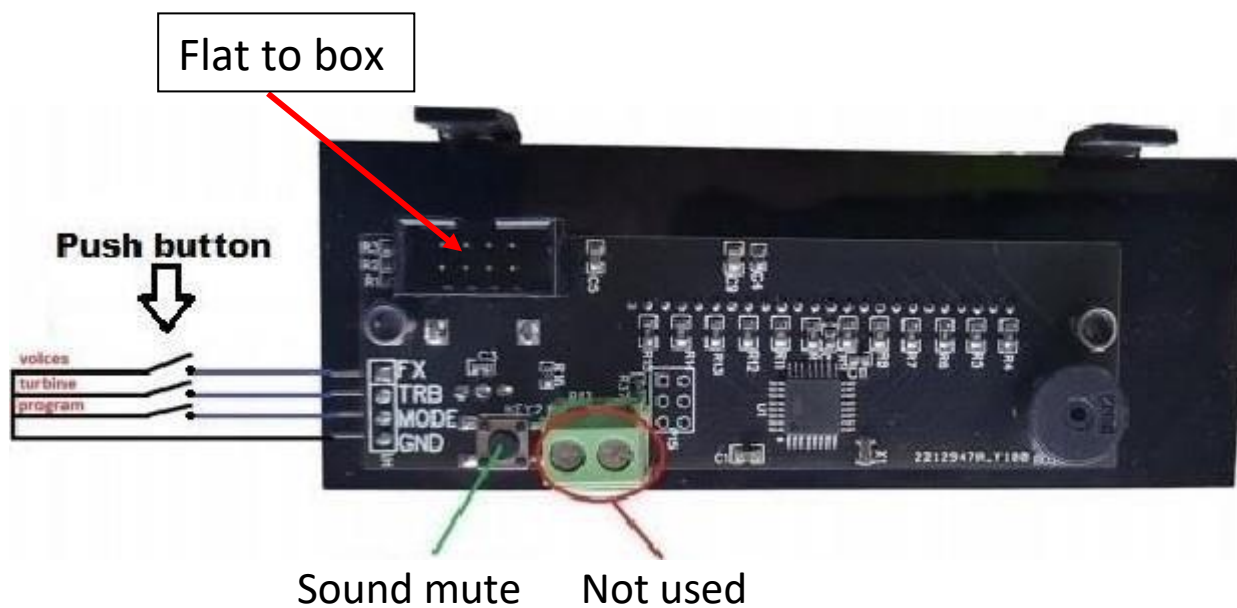
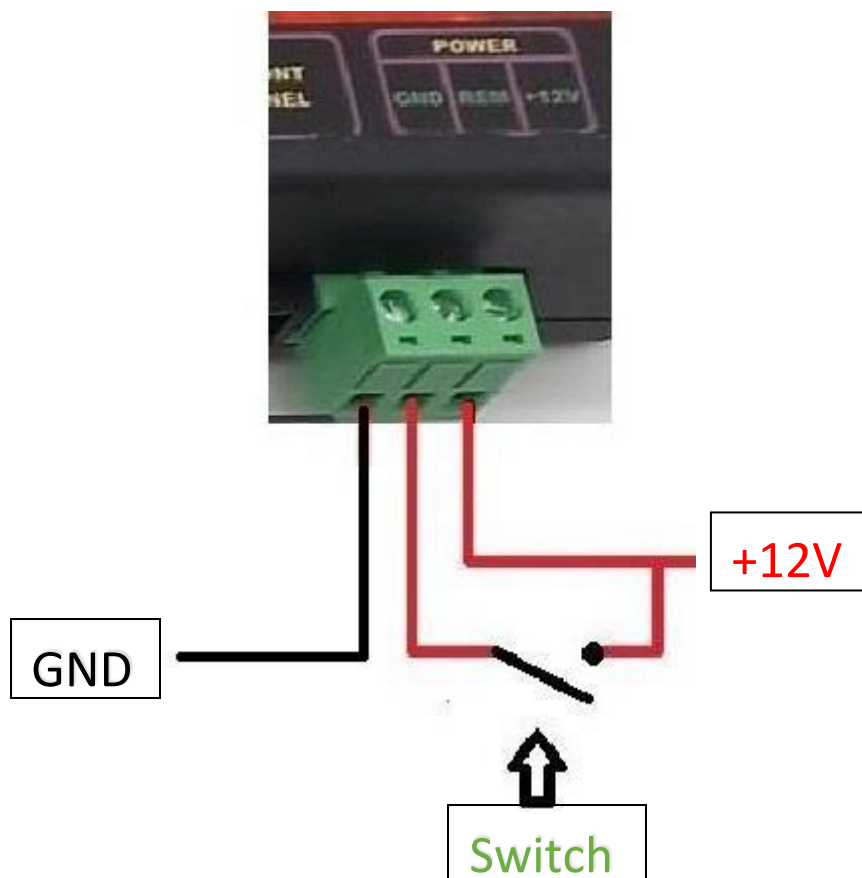


# Scanner all in one user manual



## Power connection



# Remote control



Press "A" 1 time = on/off scanner (if REM is disconnected)

Press "B" 1 time = on/off turbine

Hold "B" 2 sec. = on/off scanner sound

Press "C" 1 to 10 times = play one of 10 voices

Hold "C" 2 sec. = on/off demo voices

Press "D" 1 time = change light program

Hold "D" 2 sec. = activate PIR

If the PIR is activated while the scanner is on, when a person is detected, it plays one random sentence;

If the PIR is activated while the scanner is off, when a person is detected, it plays one random sentence and the light is up until the sentence ends.

001_turbine_start	5.579 KB	00:05:57	do not delete these files
002_turbine_loop	5.184 KB	00:05:31	
003_turbine_end	45 KB	00:00:02	
004_ONdemo	2 KB	00:00:00	
005_OFFdemo	3 KB	00:00:00	these are the files of the 10 selectable phrases, they can be freely replaced, as long as the file name starts with a numerical sequence starting from 100_ to 109_
006_ONauto	4 KB	00:00:00	
007_OFFauto	16 KB	00:00:00	
100_voice (1)	120 KB	00:00:07	
101_voice (2)	59 KB	00:00:03	
102_voice (3)	139 KB	00:00:08	
103_voice (4)	132 KB	00:00:08	
104_voice (5)	102 KB	00:00:06	
105_voice (6)	176 KB	00:00:11	
106_voice (7)	61 KB	00:00:03	
107_voice (8)	7 KB	00:00:00	
108_voice (9)	113 KB	00:00:07	
109_voice (10)	29 KB	00:00:01	
demo			this folder it contains the 100 phrases for the demo mode, can be replaced