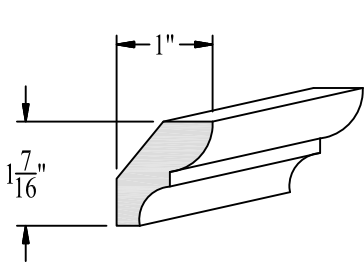
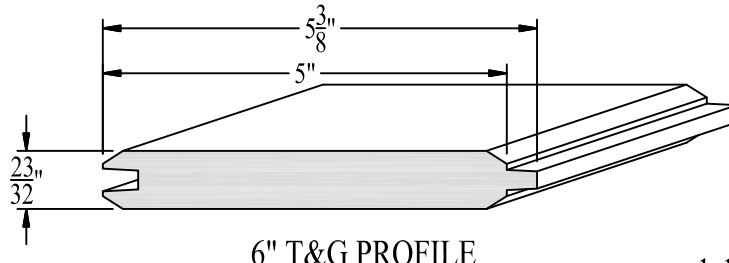


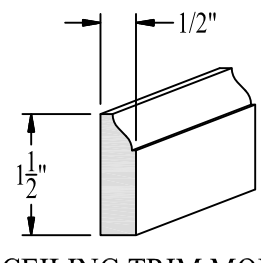
SYNERGY WOOD PRODUCTS MOLDING PROFILE SHEET



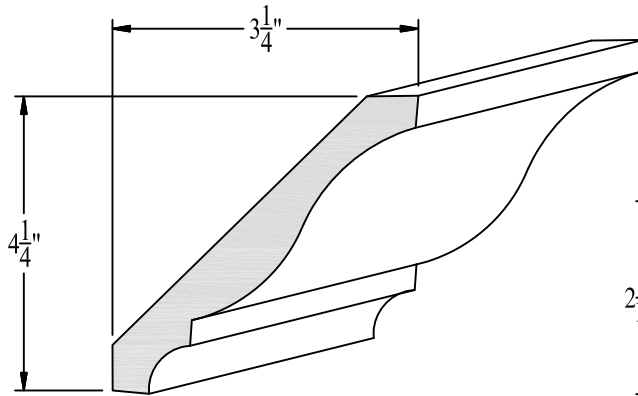
1-3/4" CROWN MOLDING
AVAILABLE IN SELECT CYPRESS



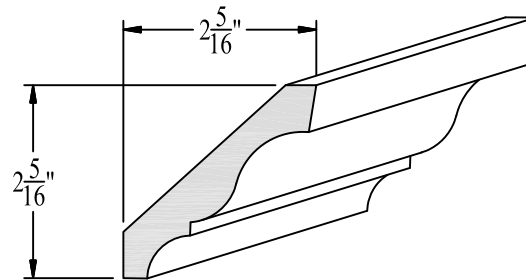
6" T&G PROFILE
AVAILABLE IN SELECT CYPRESS, #2
CYPRESS, #2 PONDEROSA PINE, #2
SOUTHERN YELLOW PINE, C-GRADE
SOUTHERN YELLOW PINE,
E-PECK™ CYPRESS & E-PECK™ PINE



1-1/2" CEILING TRIM MOLDING
AVAILABLE IN SELECT CYPRESS, #2
PONDEROSA PINE, SELECT EASTERN
WHITE PINE & C-GRADE SOUTHERN
YELLOW PINE



5-3/8" CROWN MOLDING
AVAILABLE IN SELECT CYPRESS &
E-PECK™ CYPRESS



3-1/4" CROWN MOLDING
AVAILABLE IN SELECT CYPRESS, SELECT EASTERN
WHITE PINE & E-PECK™ CYPRESS

MOLDING INFORMATION:

1. DRAWINGS SHOWN ARE NOT TO SCALE.
2. BECAUSE WOOD IS NATURE'S PRODUCT, WHEN STAINED, VARIATIONS IN COLOR AND GRAIN PATTERN ARE TO BE EXPECTED. ALTHOUGH WE SELECT TOP QUALITY WOODS, PREMIUM STAINS, AND TOPCOATS TO CREATE A HIGH QUALITY FINISHED PRODUCT, WE WILL NOT BE HELD RESPONSIBLE FOR COLOR OR NORMAL DEFECTS FOUND IN WOOD THAT INCLUDE, KNOTS (IN #2 GRADE) AND CHECKS (SLIGHT SPLITS) IN ALL GRADES.
3. #2 GRADE MOLDINGS MAY HAVE LOOSE OR MISSING KNOTS. THIS IS NOT CONSIDERED A DEFECT.
4. ALL MOLDINGS ARE AVAILABLE IN MATCHING COLORS TO THE TONGUE & GROOVE PRODUCTS.
5. OUR STANDARD IN STOCK LENGTH ON MOLDINGS IS 10'.