

## GENERAL

1. This document provides detailed information on how to install and operate the TLT Series of Surge Protection Devices (SPD).
2. Incorrect installation may significantly impair the performance of the SPD. It is particularly important that all installation procedures and guidelines be followed exactly.
- 3. INSTALLATION OF THIS DEVICE SHOULD ONLY BE PERFORMED BY A QUALIFIED INSTALLER**
4. CHECK TO ENSURE THAT ALL CONNECTIONS ARE CORRECT AND SECURE BEFORE ENERGIZING.
5. KEEP THIS MANUAL IN A SAFE, DRY PLACE FOR FUTURE REFERENCE.

## WARRANTY INFORMATION

Meter-Treater, Inc. (MTI) warrants all TLT Series models to be free from defects, and will at our option repair or replace the product should it fail within fifteen (15) years from the first date of shipment. This warranty is limited to defects in workmanship or materials, and does not cover customer damage, abuse or unauthorized modification. If this product fails or does not perform as specified, your sole recourse shall be repair or replacement as described above. Under no condition shall MTI be liable for any damages incurred by the use of this product. Damages include, but are not limited to, the following: lost profits, lost savings and incidental or consequential damages arising from the use of or inability to use this product. MTI specifically disclaims all other warranties, expressed or implied, and the installation or use of this product shall be deemed an acceptance of these terms by the user.

## WARRANTY RETURNS

All warranty and non-warranty repairs must be returned freight prepaid and insured to MTI. All returns must have a Return Authorization (RA) number on the outside of the shipping container. This number may be obtained from MTI Warranty Department (800) 342-6890. Products returned without an RA number will not be accepted.

IF UNIT(S) ARE RECEIVED DAMAGED,  
NOTIFY THE SHIPPING COMPANY  
IMMEDIATELY. RETAIN ALL SHIPPING  
CONTAINERS AND PACKING MATERIALS FOR  
INSPECTION.

Please Note:  
There are no user serviceable parts inside.



Meter-Treater, Inc.  
1349 South Killian Drive • Lake Park, FL 33403  
Phone: 561.845.2007 • Fax: 561.848.2372  
Email: sales@metertreater.com  
Website: www.metertreater.com

# TLT Series Surge Protection Device

## USER MANUAL AND INSTALLATION GUIDE



COMMERCIAL INSTALLATIONS

## CAUTION

### **IMPORTANT SAFETY INSTRUCTIONS**

1. Never install communication wiring during a lightning storm.
2. This product is for OUTDOOR OR INDOOR USE
3. Read and understand all instructions prior to installation and operation.

## WARNING

Should your equipment or building be subject to a direct lightning strike, this product will not provide complete protection.

## GROUNDING

The unit's ground stud must be connected to the ground reference used by the system being protected. In a computer room environment this grounding point may be the ground bar in the AC power panel. Ground leads longer than 12" are not recommended.

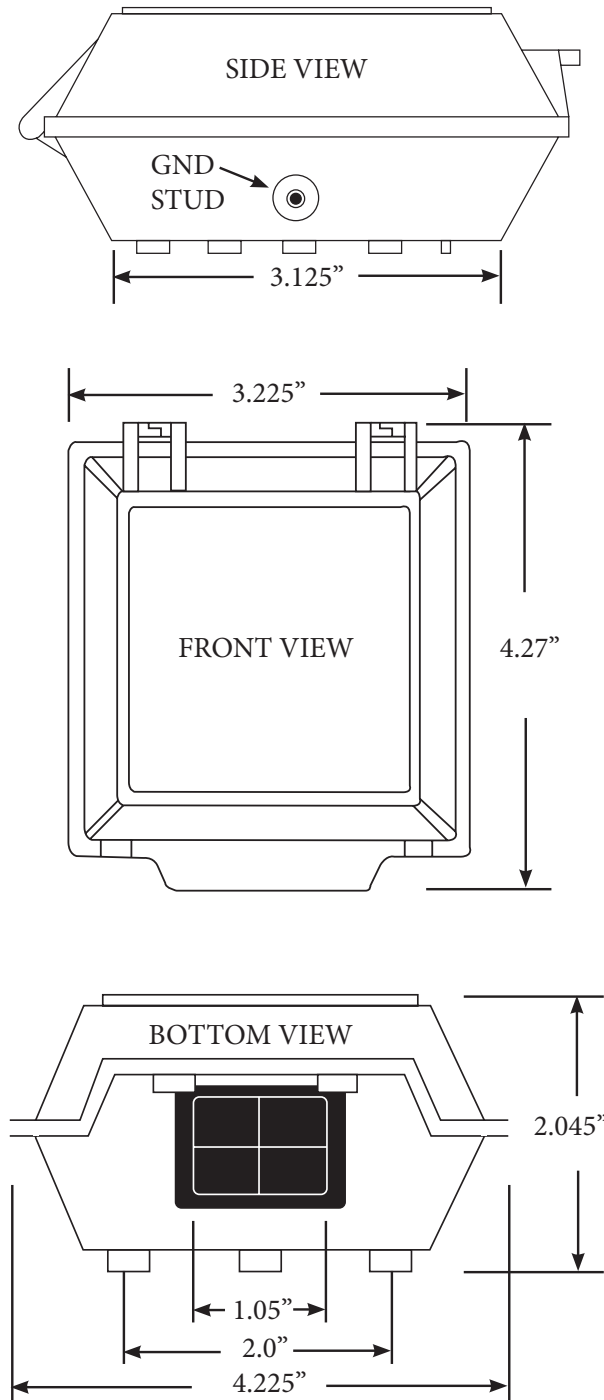
## PERFORMANCE NOTE

The grounding wire must be kept as short as possible. Minimize length to the centimeter/inch and use a minimum of #14 AWG.

## INDEPENDENT GROUNDS

Surge protection devices must not be connected to ground points that are independent of the AC ground.

## DIMENSIONS



## INSTALLATION

The TLT Series of products are easy to install. The following instructions clearly explain each step.

**NOTE:** Make sure you follow the installation instructions exactly; if the suppressor is improperly installed, the current limiting feature could be rendered inoperable.

### **TLT Terminal Connector Interface or RJ Connector Models**

1. Using a sharp utility knife, score along line of rubber gasket (on bottom of box) creating opening for cables.
2. Connect the Load (protected) Side of the TLT Series product to your communications equipment using a cable of the shortest possible length.
3. Connect your incoming (unprotected) communication cable to the Line (unprotected) Side of the TLT Series product.
4. Connect a #14 AWG ground wire from the unit's ground stud and secure it to the nearest available chassis ground.

**NOTE:** If you have any questions as to how your equipment is grounded, consult the manufacturer's user manual(s).

ALL MODELS CASE STYLE "G" HINGED BOX  
Telephone Models come with a mounting bracket.