

Questionnaire for Price Quotation for a Stationary Trash Rack Cleaner

I. Contact Data

PROJECT NAME
(please reference on all correspondence)

PROJECT SITE
(location and country)

Contact name Company

Address

ZIP code / City Country

Phone Mobile

E-mail Web

Developer Consulting Agency Name of Project Owner

II. Status

Feasibility study Contract pending; construction scheduled for:

Public tender Deadline for submitting an offer:

Construction of a new power plant Modernisation of an existing plant

III. Technical data

A Screen inclination °

B Screen pedestal mm

C Roof projection mm

D Height of roof mm

E Height of apron mm

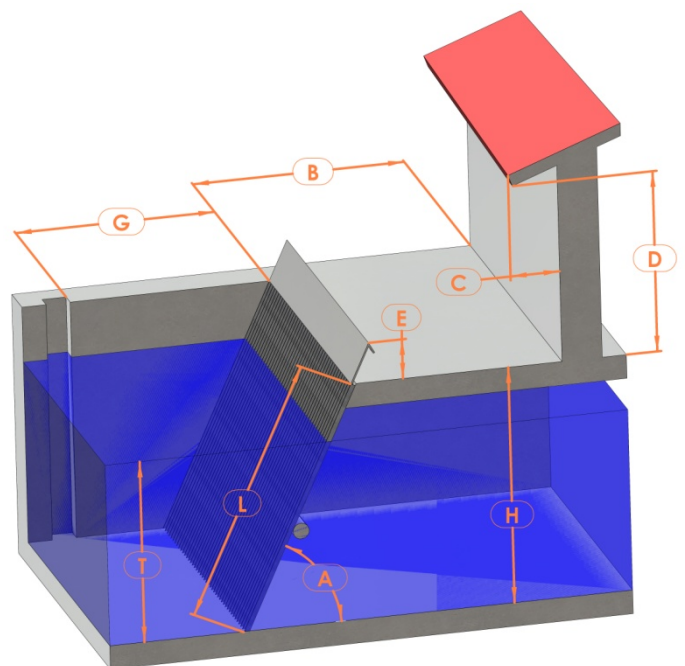
G Distance to gate mm

H Height of pedestal mm

L Screen length mm

T Water depth min. mm

max. mm



Tension V

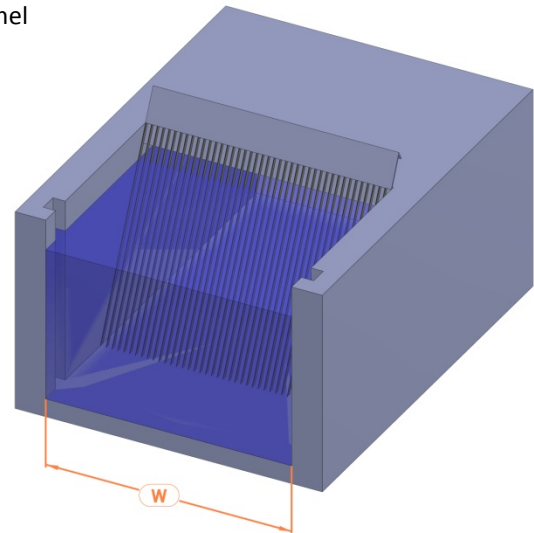
Frequency Hz

Outside temperature between -10°C and +40°C yes no; temperature from °C to °C

Screening disposal Conveyor Wash-out channel

W Inlet width mm

Spacing of screen bars mm



IV. Comments

Date, place

Signature

**OSSBERGER HYDRO
USA & CANADA**

1940 Flint Lock Ct
Powhatan, Virginia 23139
Tel: 804 360 7992

7774 Boyer, Montreal
QC, H2R2S2
Tel: 514 525 8430
Cell: 438 880 5655

info@ossbergerhydro.com
www.ossbergerhydro.com



OSSBERGER GmbH + Co
Otto-Rieder-Strasse 7
91781 Weißenburg / Bavaria
GERMANY
+49 (0) 91 41 / 9 77-0

info@ossberger.de
www.ossberger.de