

# Customer Information Sheet

DRAWING No.: H3161-XX

SHEET 2 OF 2

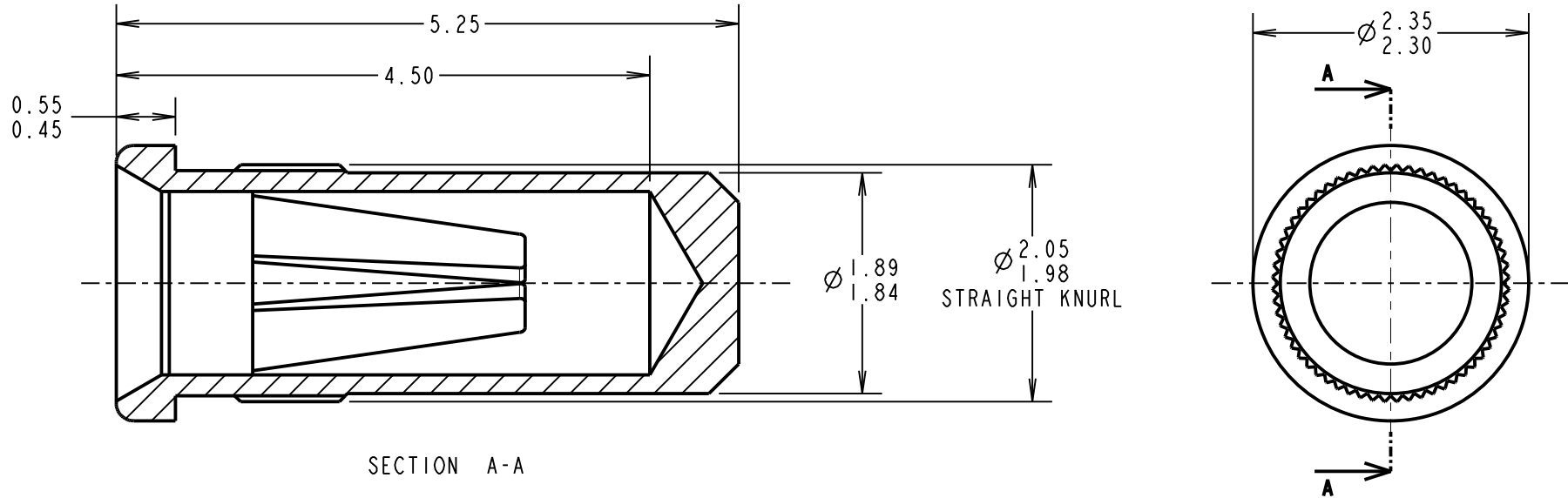
IF IN DOUBT - ASK

(C)

NOT TO SCALE

THIRD ANGLE PROJECTION

ALL DIMENSIONS IN mm



SECTION A-A

**SPECIFICATION:**

**MATERIAL:**

CONTACT SHELL = BRASS  
CONTACT CLIP = BERYLLIUM COPPER

**FINISH:**

01 = 4µ TIN SHELL, 0.15µ GOLD CLIP  
05 = 0.1µ GOLD SHELL, 0.15µ GOLD CLIP  
46 = 4µ 100% TIN SHELL, 3µ 100% TIN CLIP

**ELECTRICAL:**

CURRENT RATING AT 25°C = 10A MAX  
CURRENT RATING AT 85°C = 7.5A MAX  
CONTACT RESISTANCE = 25 MILLIOHMS MAX

**MECHANICAL:**

INSERTION FORCE (∅1mm GAUGE) = 9N MAX, 3N MIN  
WITHDRAWAL FORCE (∅1mm GAUGE) = 3N MAX, 1N MIN  
**DURABILITY:**

01, 05 = 1000 OPERATIONS  
46 = 100 OPERATIONS

**ENVIRONMENTAL:**

OPERATING TEMPERATURE = -55°C TO +125°C

**NOTES:**

- FOR COMPLETE SPECIFICATION, SEE COMPONENT SPECIFICATION C009XX (LATEST ISSUE).
- MAXIMUM CONTACT DEPTH = 3.55mm.
- RECOMMENDED MOUNTING HOLE SIZE = ∅1.96-1.91mm.
- RECOMMENDED PIN SIZE = ∅1.05-0.90mm.
- MAXIMUM PIN LENGTH = 4.60mm.
- SOCKET MUST BE SOLDERED TO PCB TO ENSURE ELECTRICAL CONNECTION.

ORDER CODE	FINISH
H3161-01	TIN SHELL, GOLD CLIP
H3161-05	GOLD SHELL, GOLD CLIP
H3161-46	100% TIN SHELL AND CLIP

MSP	20	12.10.15	13128
NAME	ISS.	DATE	C/NOTE
APPROVED:		M. PERREN	
CHECKED:		M. PLESTED	
DRAWN:		I. SANDY	
CUSTOMER REF.:			
ASSEMBLY DRG:			

**HARWIN**

www.harwin.com  
technical@harwin.com

THIS DRAWING AND ANY INFORMATION OR DESCRIPTIVE MATTER SET OUT HEREON ARE CONFIDENTIAL AND COPYRIGHT PROPERTY OF THE HARWIN GROUP AND MUST NOT BE DISCLOSED, LOANED, COPIED OR USED FOR MANUFACTURING, TENDERING OR FOR ANY OTHER PURPOSE WITHOUT THEIR WRITTEN PERMISSION.

**TOLERANCES**  
X. = ±1mm  
X.X = ±0.50mm  
X.XX = ±0.10mm  
X.XXX = ±0.01mm  
ANGLES = ±5°  
UNLESS STATED

**MATERIAL:**

SEE ABOVE

**FINISH:** SEE ABOVE

**S/AREA:** mm<sup>2</sup>

**TITLE:**

∅1.00mm SOCKET ASSEMBLY

**DRAWING NUMBER:**

H3161-XX

SHT  
2 OF 2

# Mouser Electronics

Authorized Distributor

Click to View Pricing, Inventory, Delivery & Lifecycle Information:

[Harwin:](#)

[H3161-05](#) [H3161-01](#)