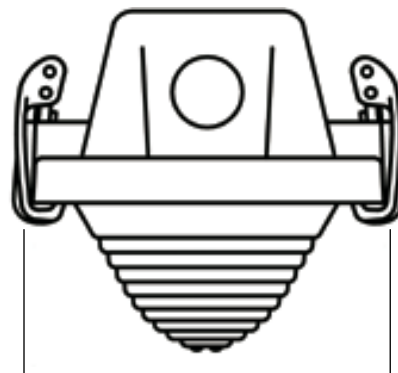




**AIREY-THOMPSON™**  
Manufacturing Quality Luminaires

# 81L SERIES LED LINEAR WEATHERPROOF

DROP ROD / CABLE SUSPENDED / SURFACE MOUNT  
**PRELIMINARY CUT SHEET** MADE IN USA



4" Wide, single lamp



## FEATURES AND BENEFITS

- Ideal for: warehouses, parking structures, cold storage, outdoor structures, food processing, offshore and more
- Strong UL5VA fiberglass housing holds up in harsh weather conditions
- Impact modified, frosted acrylic lens standard, optionally available with ribbed frosted polycarbonate lens
- Extremely efficient LED's with integral 120/277V driver
- Several lumen/wattage packages to chose from (the 25w option provides slightly more light than a LED T8 tube). If that doesn't meet your needs the factory can customize the fixture to meet your lumen or wattage needs.
- NSF compliant making this ideal for food processing facilities.
- IP65, IP66, and IP67 rated, ETL.

**CONSTRUCTION:** UL5VA fiberglass housing will not melt or burn. 100% impact modified frosted acrylic lens.

**VOLTAGE:** Equipped with integral 120/277v FCC approved driver, 10% 0-10v dimmable standard, other options may be available.

**MOUNTING:** 4 Mounting type brackets optionally available

**CERTIFICATIONS:** NSF, NEMA 4X, IP65, IP66, IP67, ROHS, ETL.

**WARRANTY:** 5 year limited warranty, see Airey-Thompson distributor terms and conditions for more details.

How to build a part number	Product Series	Light Output	Color Temperature	Length in Inches	Lens Type	Typical extra charge options Suffix part # as required in the sequence below
Part number format	81L	N	40K	48	-2	-SS -MB
Choices	81L	N (Normal) 25 Watts H (High): 35 Watts (Custom): Specify wattage up to 50	35K 40K 50K	48 Nominal	-2= Smooth Frosted ACR -3= Ribbed Frosted PC	-SS Stainless steel lens latch upgrade -MB Mounting bracket for surface mount -MBP Pendant mounting bracket for 3/8" drop rod -MBC Cable suspended mounting bracket -EP Endplug black -EM Battery Backup



FOLLOW US ON INSTAGRAM @ AIREY\_THOMPSON\_LIGHTING