

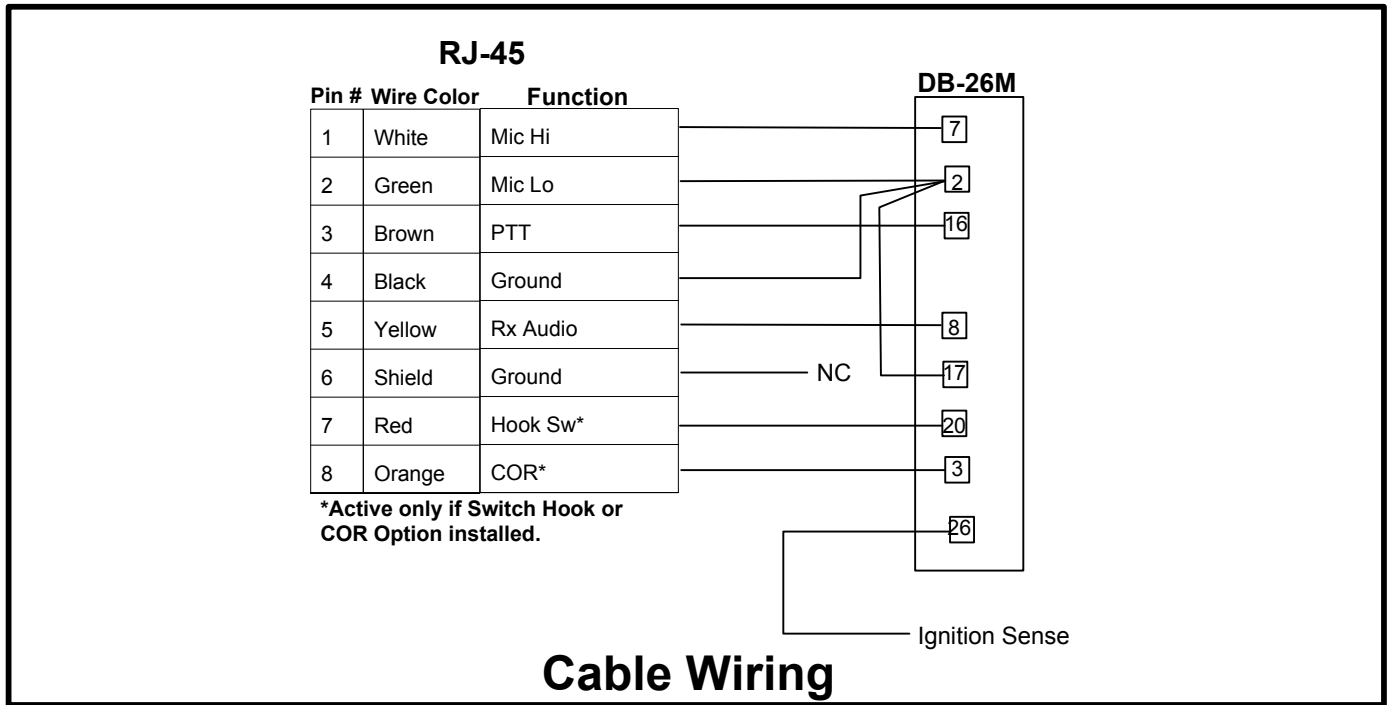
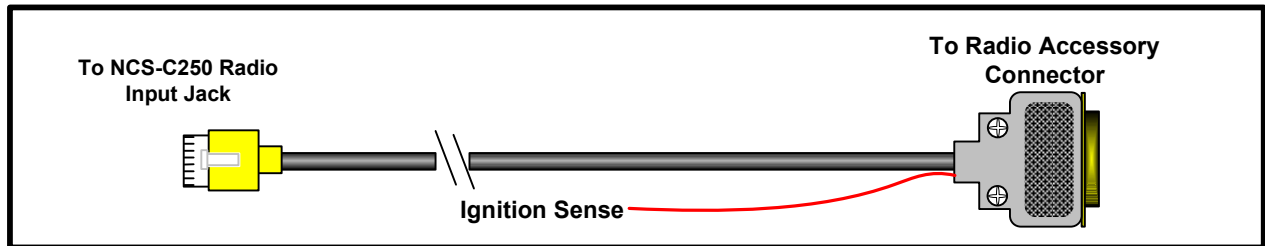
Radio Interface Cable

For NCS-C250 Mobile Multi-Switcher

NCS Model Number
NCS-250-YDA-XX

Compatible Radios:

HYT MD782



Notes:

Using the appropriate radio programming software, program the following functions on the indicated pins of the accessory connector:

1. Pin 16, **PRGM_IN_PTT**, on ACC connector must be programmed for PTT (default programming is PTT on front panel).
2. Pin 3, **GP5_3** on ACC connector must be programmed for COR if COR option installed in NCS-C250
3. Pin 20, **GP5_8** on ACC connector must be programmed for Hook Switch if Hook Switch option installed on NCS-C250
4. Rear panel external mic must be opened using the radio programming software (default is front panel mic open)