

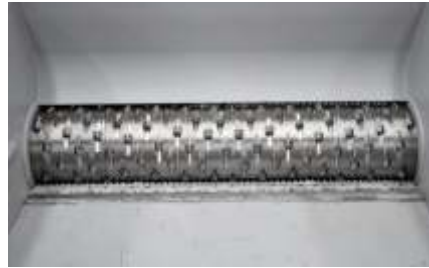
VHS

Horizontal Shredders

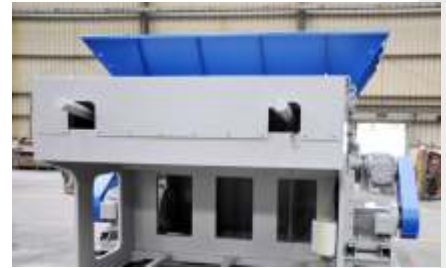
- Large feeding hopper
- Robust welded steel construction
- Low speed operation
- Advanced rotor / knife mounting system



The large feeding hopper allows the machine to be used for a variety of materials.



The rotors are equipped with square knives, producing high quality output. The cutters can be turned after they are worn.



Angled hydraulic pusher to ensure optimal material feeding and ingestion.

General Description

Virtus VHS shredders are single shaft shredders featuring an angled hydraulic ram suitable for a wide range of material shapes and sizes. The VHS shredders are equipped with a Virtus E style rotor and knife holder fixing system. The final size of the material.

is determined by the screen which can easily be changed based on requirements. The VHS shredder can be tailored to individual requirements, this includes different drive powers, knife configurations as well as discharge options.

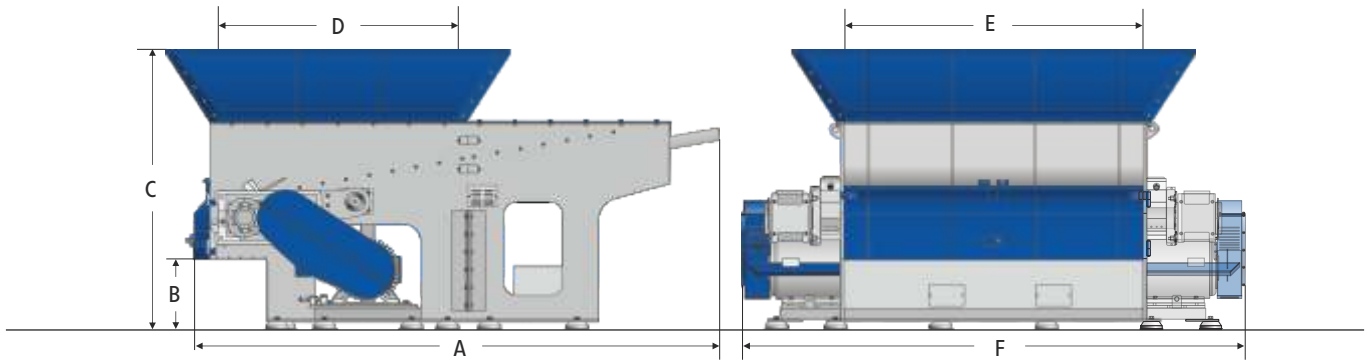
Applications

The VHS series of single shaft shredders are mainly used in the industry to achieve a economic recycling of plastics to wood, paper, and general waste streams. The machines have been

engineered for strength and reliability in daily operation. These shredders can easily be integrated into complete lines with other Virtus products and accessories such as belts, granulators, etc.

VHS

Horizontal Shredders



Technical Specifications and Dimensions

Model

Rotor diameter (mm)
 Rotor width (mm)
 Rotor speed (rpm)
 Drive capacity (kW)
 Rotor knives(pcs) (34 x 34)
 Rotor knives (pcs) (50 x 50)
 Stator blades (pcs)
 Ram feeder drive (kW)
 Cutting chamber volume (m³)
 Effective working area (mm)

1500

600
 1400
 approx. 70
 90/110
 68/102
 57/76
 5
 5.6
 1.4
 1320 x 1340

2000

600
 1960
 approx. 70
 110
 96/144
 81/108
 7
 5.6
 2
 1880 x 1500

2600

600
 2520
 approx. 70
 2 x 90
 124/186
 105/140
 9
 5.6
 2.6
 2440 x 1500

A (mm)
 B (mm)
 C (mm)
 D (mm)
 E (mm)
 F (mm)

4420
 696
 2706
 2036
 1420
 2630

4648
 696
 2726
 2200
 1980
 3868

4648
 696
 2726
 2200
 2540
 4424

Virtus Equipment

311 Era Drive
 Northbrook, IL 60062
 Phone: 1-847-291-1800
 sales@virtus-america.com

virtus-equipment.com

