



Installation Manual

"Simplest stone in the world to install! "

Introduction

This manual describes the steps required to install Stack-N-Tack® stone siding for both new or existing construction. It provides an easy to read step by step instructions that makes the installation process easy for anyone to follow while ensuring successful results every time. Building codes and regulations vary throughout the country. Be sure to check with your local code officials for specific framing requirements in your area. For helpful hints on installation, go to our Videos at www.silverminestone.com

Use and Restrictions

Stack-N-Tack® stone siding can be used on new or existing construction. Stack-N-Tack® stone siding can be nailed or screwed onto the wall, therefore no brick ledge is required. Stack-N-Tack® stone siding is limited to a height of 30 ft. with normal building design. Heights may be increased when specified by a structural engineer and approved by building officials.

Tools and Equipment

If you are comfortable working with a few basic tools you can easily install Stack-N-Tack® stone siding yourself.

Tools List

- Cordless drill
- Circular saw or Chop saw with diamond blade
- Measuring tape
- Caulking gun
- Drivers for drill to match screws
- Level
- Utility Knife
- Hammer
- Gloves
- Dust Mask
- Safety Glasses
- Ear Plugs

Safety is the number one priority with any construction project. Always wear gloves when handling Stack-N-Tack® stone siding and use protective eye wear when cutting stone panels.

Cutting stone is often a key part of installation. You can use either a circular saw or a grinder with an inexpensive dry saw diamond blade found at any hardware store.

Take all necessary precautions to protect yourself from dust. Use safety glasses and a dust mask.

Stack-N-Tack® Stone Siding Installation

Before any stone can be installed the following must be done:

House wrap must be installed.

Note: If treated wood is used for sheathing stain-less fasteners must be used.

Inside and outside corners should be wrapped with 12" self adhesive waterproof membrane or aluminum flashing. (see fig. #2)

Install 8 inches of aluminum flashing or self adhesive waterproof membrane along the bottom edge of building. (see fig. #3)

Lap Stone Installation (once all flashing is installed)

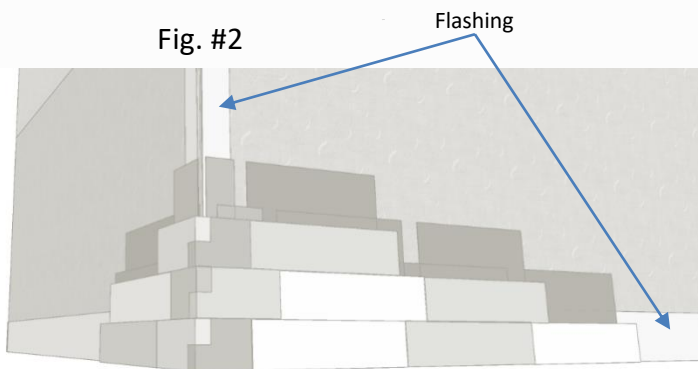
Always start at the bottom checking for level after each course of stone is applied (make adjustments to level if necessary). When placing stone on the wall each seam on lower course must be overlapped a minimum of 3 inches on each side of seam by the upper course (see fig. #3). Saw is required.

Corners - right and left corners must be staggered (fig #4). Each stone must have at least one of it's fasteners attached to a stud. Stainless or aluminum fasteners are recommended.

Rubber membrane (flashing) must be placed around windows starting at the bottom. Bottom membrane must overlap the top of the flashing on the last course of stone siding.

Once bottom flashing is installed, do side flashing overlapping bottom flashing and then top, flashing overlaps side flashing creating a water tight seal.

Membrane must overlap flashing on the last stone under window.



Our product is designed to allow natural movement that protects from freezing and thawing and settling of structure. Some contractors prefer to limit this movement by using construction adhesive. Note: To Allow water to escape the construction adhesive can only be installed in noted area.

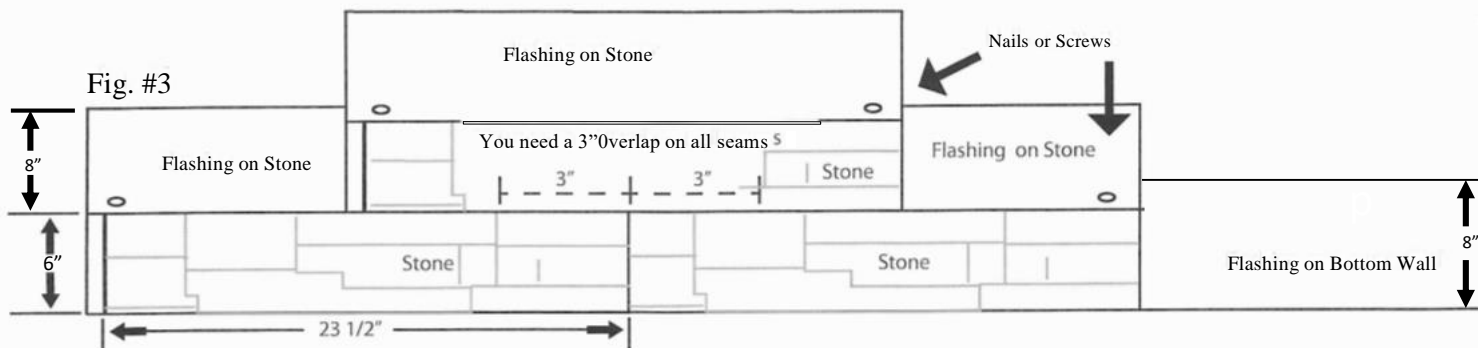
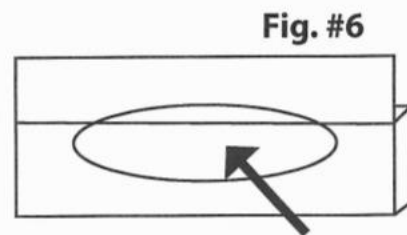
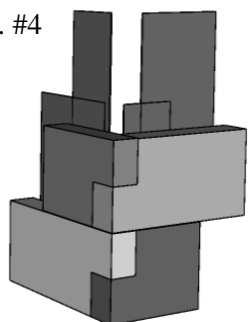


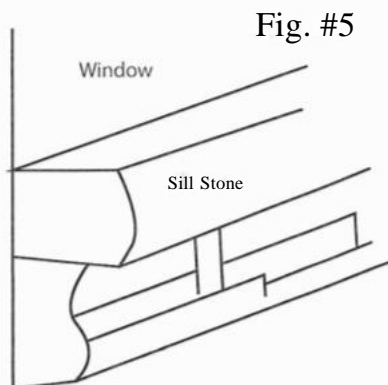
Fig. #4



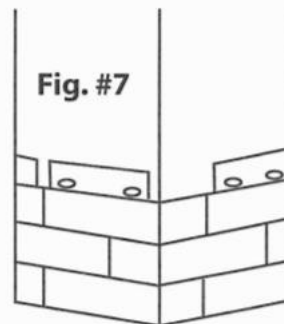
Left and right corners must be staggered to avoid leaks and each corner must be put on with each course. (you cannot put all the corners on and then put courses up).

Most sill stone will be installed with aluminum flashing. For sill stone under windows you must saw off aluminum flashing and install it with heavy duty construction adhesive.

Stone under sill may need to be cut so that it will fit correctly. It is best to cut off the bottom of this stone and leave flashing.



To form a column use four interlocking Pillar stone pieces that are made to fit around 13 3/4" square framing. Each foot takes 8 pieces, 1 box.



Warranty Lifetime Limited Warranty

Stack-N-Tack products have a lifetime warranty when installed in conformance to local building codes and manufacturers instructions. Silvermine Stone Company will replace any material deemed defective at no charge. This warranty is limited to the original purchaser and may not be transferred to any subsequent owner.

This warranty does not cover damage resulting from the following: settlement of the building or other wall movement, contact with chemicals or paint, staining or oxidation, or use of non-breathable sealer.

This warranty covers only manufacturing defects in **Stack-N-Tack** products manufactured by Silvermine. Silvermine is not responsible for labor costs incurred in removal and replacement of defective products. Hearth pieces are not warranted for use on the ground or as a surface to foot or vehicular traffic.

Silvermine is committed to ensuring high standard of quality products which are exceptional in color, shade, and texture. As colors may vary, to ensure even distribution of color and texture we recommend that product from a number of boxes be blended together during installation.

Check out our installation Video at www.Silverminestone.com