

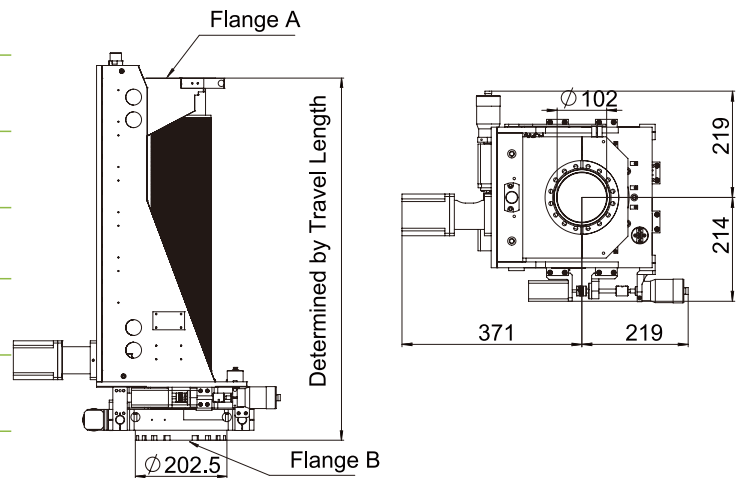
Full Size XYZ Stage



The full size XYZ Stage is a high specification translator using a single edge welded bellow for X, Y and Z movements. The single bellows design allows the stage to be mounted in any orientation. It is designed to be configured through a series of modules offering a wide range of installation flanges and clear bores. Please call in for more information.

Specification

- ✔ Z Movement can be customized
- ✔ Welded Bellow Seal with SS 316
- ✔ Manual/ Motorized Actuator
- ✔ Bakeable to 120°C
- ✔ Working Pressure: 10⁻¹¹mbar to 1bar
- ✔ Micrometer with 10µm Resolution
- ✔ Clear Bore up to 100mm
- ✔ XY Precision: 0.005mm
- ✔ Z Precision: 0.01mm



Flange A OD		Flange B OD		XY Movement	Z Movement
mm	inch	mm	inch		
152	6	152	6	±12.5	up to 650
				±25	
152	6	203	8	±12.5	up to 650
				±25	