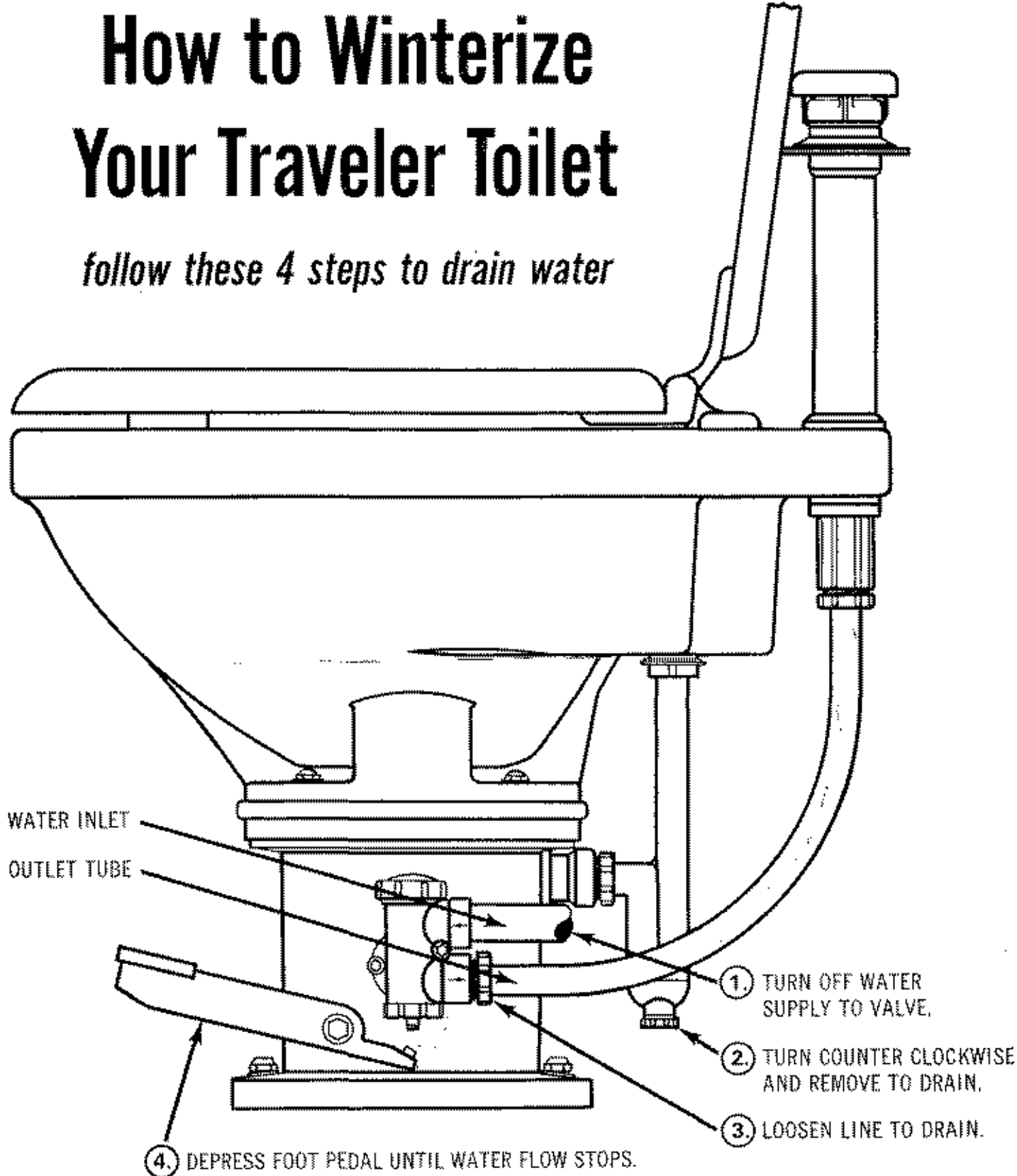


How to Winterize Your Traveler Toilet

follow these 4 steps to drain water



MANSFIELD SANITARY, INC.
PERRYVILLE, OHIO

MADE IN U.S.A.

419-938-5211

677-1072

Traveler[®] 902

Vitreous China Compact Water Closet

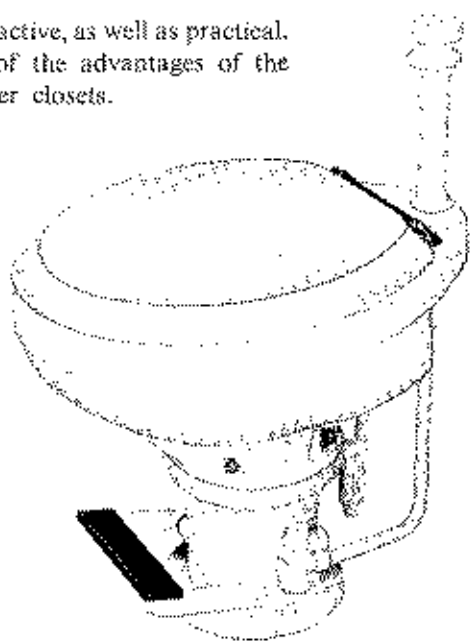
Saves Water • Pedal Operated • Efficient Swirl Flushing • Easy to Install

Modern, compact Traveler 902 is perfect for mobile homes, cottages, camps, attics, basements . . . every type of space saving

installation. Attractive, as well as practical, it offers many of the advantages of the finest home water closets.

- ✓ High fired vitreous china.
- ✓ Saves water . . . flushes on 2 quarts.
- ✓ Compact. Only 14 $\frac{3}{4}$ " high and 14 $\frac{1}{4}$ " wide.
- ✓ Swirl flushing action assures cleaner bowl.
- ✓ Water trapped overflow. Removable trap.
- ✓ Odor-free.
- ✓ Epoxy coated base.
- ✓ Operates efficiently on high or low water pressure.
- ✓ Shipped assembled, ready for installation with floor flange and rubber seal.
- ✓ Perfect for either new installation or replacement of standard water closet.

WPOA approved

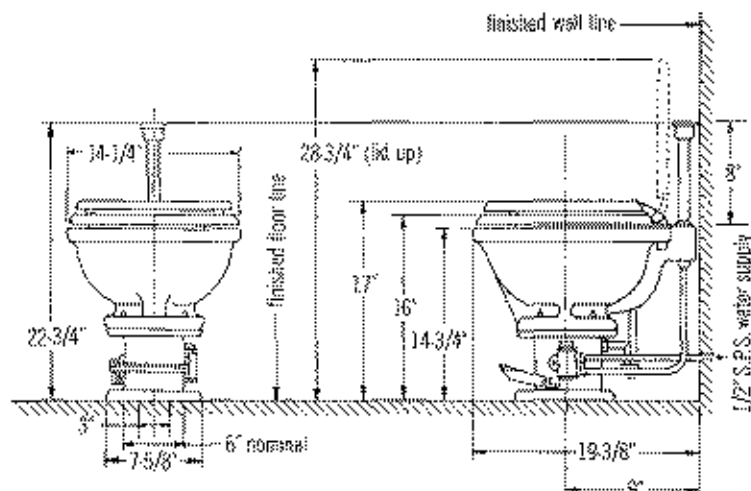


← Mansfield[®] leakproof ball seal

Traveler is equipped with an exclusive self-cleaning "ball" that rolls across the bottom of the bowl and forms a positive water seal. There are no metal-to-metal contacts to cause excessive wear or encourage corrosion.

Use these specifications
to order *Traveler*

Order No.	Description	Approx. Weight
902	Traveler pedal-operated vitreous china bowl with flushing mechanism, epoxy coated aluminum base, ball water seal, 3" male floor flange, rubber floor seal and bolt package. Seat not included, unless specified.	29 lbs.



NOTE: above are roughing measurements. They may vary 1/4" (plus or minus).



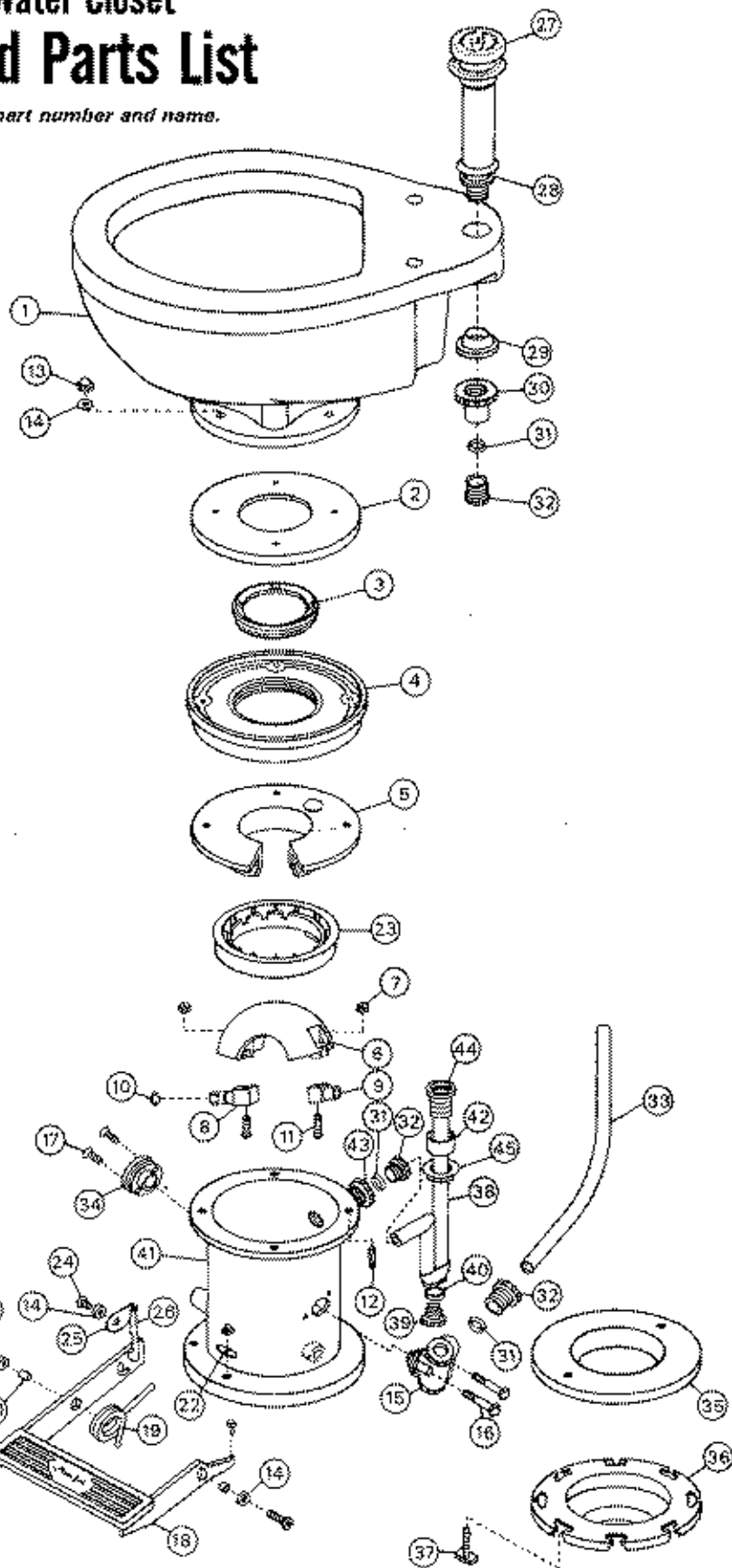
MANSFIELD SANITARY, INC.

PERRYVILLE, OHIO

Traveler 902 Water Closet Components and Parts List

When ordering, please refer to part number and name.

Part	No.	Description	No. Req'd.
1	2765	Bowl	1
2	2099	Polyethylene Seal	1
3	2528	Adjusting Ring	1
4	2637	Plastic Plate	1
5	2729	Rubber Ball Seal	1
6	2537	Ball Seal	1
7	2003	Hex Nut	2
8	2750	Activating Shaft	1
9	2652	Short Shaft	1
10	2766	"O" Ring	1
11	2002	Round Hd. Screw	2
12	2786	Stud	4
13	2787	Acorn Nut	6
14	1994	Washer	7
15	2753	Manual Valve Assy.	1
16	2754	10-24 Acorn Hd. Screw	2
17	1976	6-32 Flat Hd. Screw	2
18	2755	Foot Treadle Assy.	1
19	2705	Spring	1
20	2196	Brass Bushing	2
21	2169	Bolt	2
22	940	Washer Oval	2
23	2542	Spider	1
24	2756	Round Hd. Screw	1
25	2757	Pivoting Arm	1
26	2726	Link	1
27	2703	Vacuum Breaker Assy.	1
28	2656	Top Bowl Seal	1
29	2768	Bottom Bowl Seal	1
30	2758	Nut	1
31	2759	Plastic Seal Washer	3
32	2760	Sealing Adjusting Nut	3
33	2761	Tubing	1
34	2310	Bearing-Open End	1
35	2025	Sponge Gasket	1
36	1927	Male Thd. Flange	1
37	2522	Bolt Floor Flange	2
38	2762	Trap Assy.	1
39	2763	Drain Plug	1
40	2764	Plug Seal Gasket	1
41	1706	Aluminum Base	1
42	2606	Spud Rubber	1
43	2778	Trap to Base Nut	1
44	2386	Spud	1
45	2654	Flange Nut	1



Water Seal Adjustment

Traveler water closet has a visible adjustable ring (part 3) which screws into the plastic plate (part 4). When this ring is turned clockwise, the water seal is tightened. A counter-clockwise turn loosens the seal.

The ring is notched and can be turned easily with a long-handled screw driver or similar tool. Over-tightening of the ring will result in a harder-to-operate pedal.

The ball should be lubricated periodically to keep the pedal moving easily. Any hardware store can supply a good silicone lubricant for this purpose.

Do not deposit any foreign material such as kerosene or petroleum products in this unit.

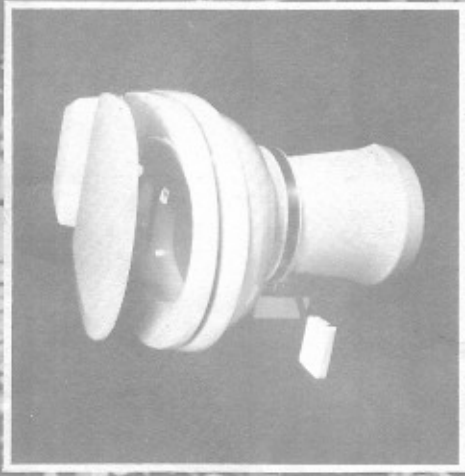


MANSFIELD SANITARY, INC.
PERRYVILLE, OHIO

Traveler[®]

fine china toilet

OWNERS MANUAL



SER - 040583

MOD - 910

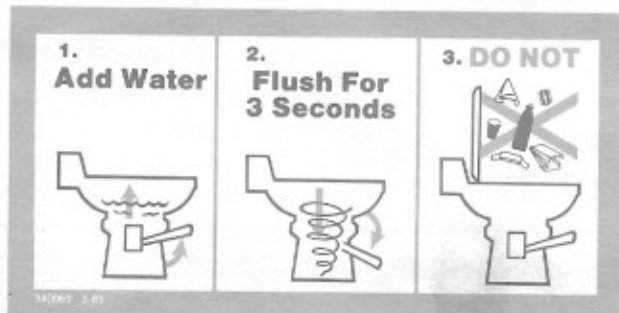
340184

Contents

Do's & Don'ts.....1	Ordering Parts11
Specifications2	Parts List12
How To Use3	Warranty14
Installation3	Model Identification.....15
Maintenance6	Spare Parts15
Accessories7	Need Help15
Troubleshooting8	

Do's

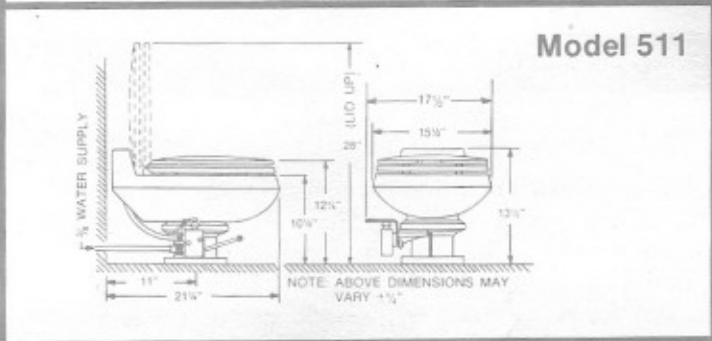
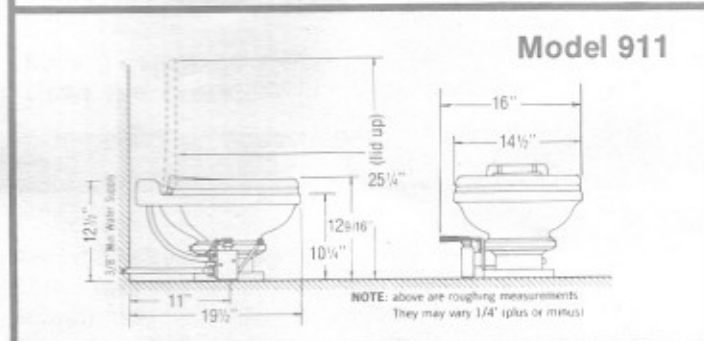
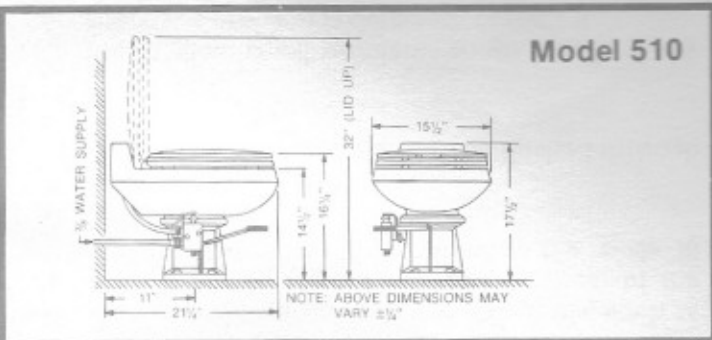
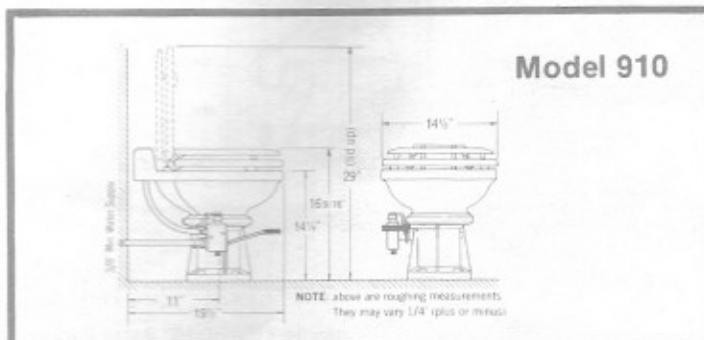
1. Read the operating instructions carefully. See page 3 "How To Use The Toilet".
2. Make sure all guests understand the operation of the Traveler™ toilet.



3. Carry a few spare parts to avoid problems that may arise. SeaLand Technology, Inc. has developed several repair kits that will save you both time and expense should a problem arise. See Page 15
4. Use chemicals specifically formulated for use in holding tank systems, such as WasteBeGone™ Deodorant (liquid or dry). A good biodegradable tissue such as SeaLand Sani Safe™ is also recommended. These products are available from your local R.V. dealer.

Don'ts

1. Don't use chlorine or caustic chemicals, such as laundry bleach or drain opening types, in the system. These products damage the seals in toilets.
2. Don't allow foreign objects to be flushed through the toilet.
3. Don't allow small problems to go unsolved. As soon as a problem is detected, correct it.



Order No.	Description	Approximate Weight	Order No.	Description	Approximate Weight
910	Traveler Mirror China Bowl with corrosion-proof base. Rubber floorseal and bolt package included. (State Color Desired)	29 lbs.	510	Traveler Mirror China Bowl with corrosion-proof base. Rubber floorseal and bolt package included. (State Color Desired)	33 lbs.
911	Traveler Mirror China Bowl with corrosion-proof base. Rubber floorseal and bolt package included. (State Color Desired)	28 lbs.	511	Traveler Mirror China Bowl with corrosion-proof base. Rubber floorseal and bolt package included. (State Color Desired)	32 lbs.

How To Use

To properly use the Traveler Toilet, follow these simple instructions:

A good biodegradable tissue such as SeaLand SaniSafe™ is recommended.

1. To add water to the toilet, before using, lift or raise the flush lever until desired water level is reached. Generally more water is required only when flushing solids.
2. To flush toilet, push lever all the way down until sewage leaves toilet.

3. Release flush lever.
4. A small amount of water should remain in bowl.

Note: Holding flush lever down longer than necessary results in excessive water usage.

Caution:
DO NOT dispose of sanitary napkins or other non-dissolving items in toilets.

Installation

Each SeaLand Traveler toilet comes complete with seat and cover, sponge rubber floor seal and mounting bolt package. The following procedure is provided to help make your installation easier.

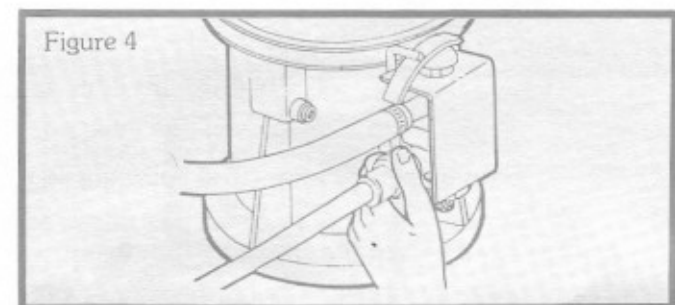
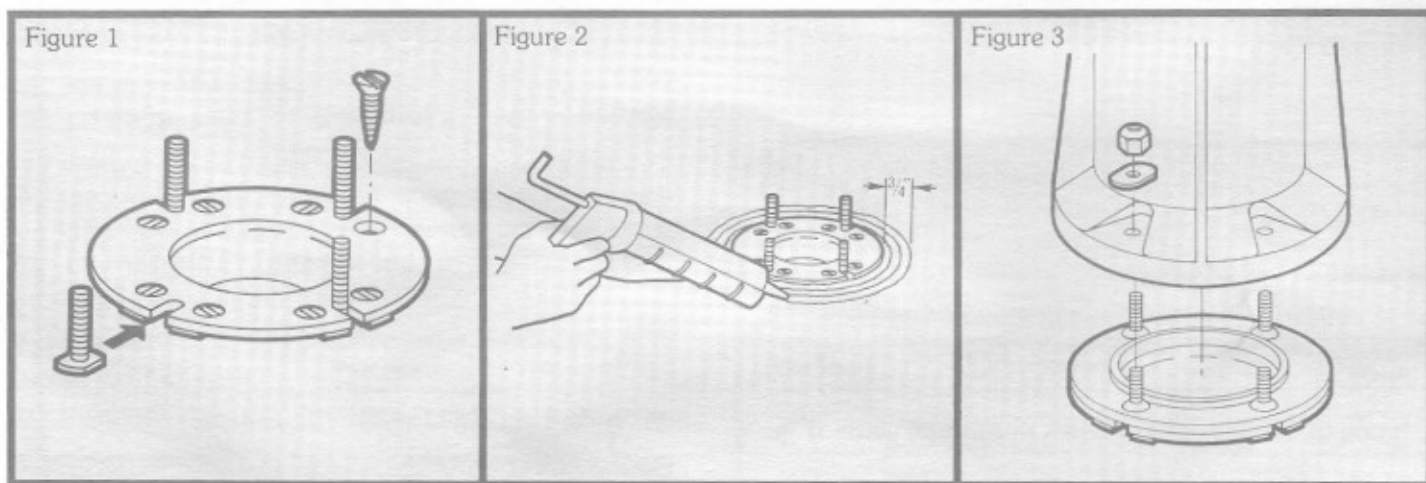
1. To replace an older toilet, first turn off water supply to toilet. Disconnect water line at toilet water valve. Unscrew floor bolts and remove toilet. Discard old floor seal and mounting bolts. The old floor flange may be used if it is in good condition and is of the type that can provide four (4) bolt locations.

Note: Check the old floor flange to be sure the mounting bolt locations align with the Traveler toilet 4-hole mounting pattern. It may also be necessary to remove the securing wood screws and turn the flange clockwise to align.

2. When installing new floor flange, screw flange into 3" threaded inlet (or nipple) of holding tank under the floor. Turn by hand until snug and the flange mounting bolts align with Traveler toilet mounting pattern.

- Secure flange to floor using flat head screws through counter sunk holes in flange. Insert floor bolts into slotted holes in flange. (See Fig. 1).
- If toilet is being installed in a shower stall, apply a $\frac{1}{4}$ " thick by $\frac{3}{4}$ " wide bead of glazing compound around the circumference of the floor flange. (See Fig. 2)
- Position the sponge rubber floor seal by pressing the floor bolts up through the holes in the seal.

- Set Traveler toilet in place with bolts protruding up through mounting holes in base. (See Fig. 3)
- Install oval washers and hex nuts provided with toilet. Snug nuts down equally with standard $7/16$ " open end wrench.
- Connect water supply line to water valve $\frac{1}{2}$ " MPT inlet using appropriate fittings. (See Figure 4)



- Remove excess glazing compound from around base in shower stall installation. Turn on water supply and flush toilet to test for leaks.
- Attach the shroud to toilet base. Be sure offsets in shroud snap in place behind webs of base.

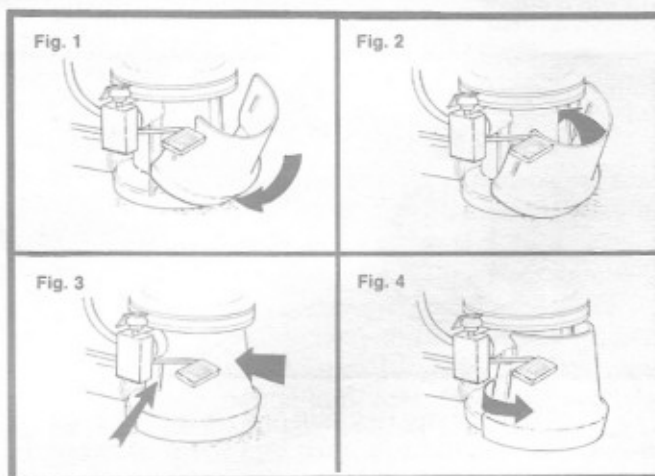
Typical Shroud Installation

Following is a suggested procedure for installing base cover shroud;

- Hold shroud at an angle and position bottom edge against bottom of toilet base (See Fig. 1). If carpeting is installed, make sure carpeting is not caught between base and shroud.
- Pivot shroud back against base (See Fig. 2) until sides of shroud snap over both sides of base (See Fig. 3).
- Check installation to be sure shroud is securely in place.

To Remove

- Reach behind edges of shroud.
- Lightly pull sides outward and pull shroud forward (See Fig. 4).



Cleaning

The Traveler toilet should be cleaned regularly for maximum sanitation and operational efficiency.

Clean the toilet bowl with a mild bathroom cleaner. Do not allow caustic cleaners to set in the bowl for long periods of time to avoid damaging seals.

If an odor is apparent from the toilet:

1. Clean out system.
2. Add odor control chemical in amount specified for your holding tank capacity after cleaning and every few days during use.
3. Remove water line and clean screen. (Refer to figure 6, page 7.)

Winterizing

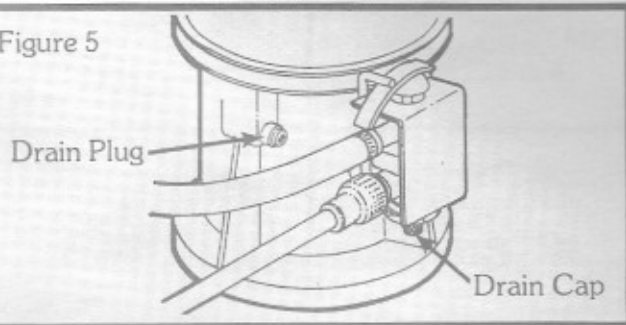
At the end of each season, the Traveler toilet should be winterized for storage.

The following procedure should be used:

1. Clean and flush toilet.
2. Shut off water supply.
3. Remove drain plug. (See Figure 5)

4. Remove drain cap from bottom of water valve. (See Figure 5) 910 and 510 Models Only.

Figure 5



5. Depress flush lever until all water drains from the system.

Preparing For Summer Use

To prepare the Traveler toilet for summer use, check to be sure the drain cap on bottom of water valve is in place and tight. Check to be sure drain plug is installed in side of toilet base. Turn on water supply and check system for leaks. Flush toilet and check for leaks. Repair any leaks as necessary. Traveler toilet is now ready for use.

Accessory Products

Our chemicals and tissues are recommended for use in RV/Marine holding tanks, recirculating and portable toilets.



SaniSafe™ Toilet Tissue

This soft, white tissue is formulated for rapid disintegration to help keep your sanitation system flowing freely. Available in a four roll package at your local R.V. or Marine dealer.



WasteBeGone™ Dry

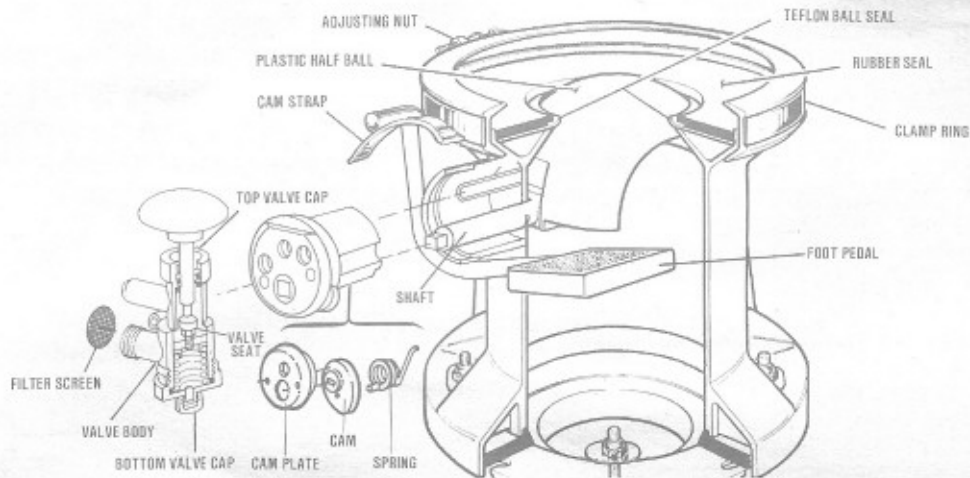
Our fast-acting, non-dusting granules help clean holding tanks, break down waste and tissue, and control odors with a pleasant fragrance. It's biodegradable. Each carton contains six 2½-oz. (63g) pre-measured, water-tight packets. Available at your local R.V. or Marine Dealer.



WasteBeGone™ Liquid

A concentrated liquid holding tank deodorant and cleaner. Works instantly to control odors with a pleasant, long lasting fragrance. The detergent additive helps keep holding tanks clean and breaks down waste and tissue. It's biodegradable and septic tank safe. Available in 16 oz. and liter bottles at your local R.V. Marine dealer.

Figure - 6 Toilet base



Problem

Possible Cause

Service Instructions

1. Water will not stay in bowl.

See Figure 6

- a. Loose clamp ring
- b. Improper seal around flush ball due to dirt or debris on underside of teflon ball seal.
- c. Worn or damaged seals.
- d. Worn or damaged flush ball.
- e. Cracked half clamps.

- a. Tighten clamp ring adjusting nut.
- b. Inspect flush ball and under side of teflon seal for foreign objects.
- c. Replace both seals.
- d. Replace flush ball.
- e. Replace half clamps.

2. Plastic flush ball will not close completely.

See Figure 6

- a. Clamp ring overtightened causing too much tension on seal and flush ball.
- b. Weak or defective spring.
- c. Worn or damaged flush ball or shaft.

- a. Loosen clamp ring.
- b. Check spring tension by letting up on flush lever suddenly. If lever does not "snap back", replace spring, cam and plate with new spring cartridge.
- c. If lever "snaps back" but flush ball does not close completely, replace flush ball and shaft.

3. Water doesn't shut off in toilet (toilet overflows)

See Figure 6

- a. Dirt lodged in water valve seal.
- b. Cam strap bent down holding water valve open.
- c. Worn or defective water valve.
- d. Worn or defective spring.

- a. Disassemble and clean water valve.
- b. Bend front of cam strap up about 1/16".
- c. Replace valve assembly.
- d. Replace spring, cam and plate with new spring cartridge.

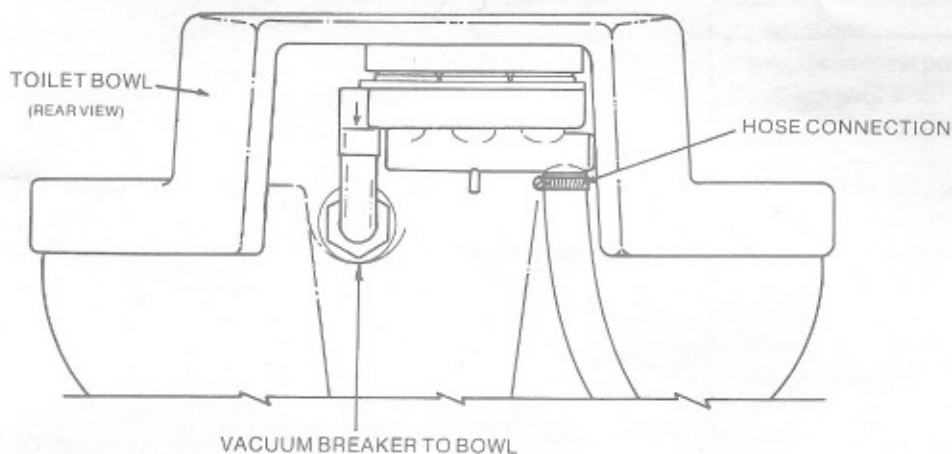
4. Water does not enter toilet bowl properly.

See Figure 6

- a. Low water pressure.
- b. Water valve clogged.
- c. Water valve defective.
- d. Worn or defective flush lever.
- e. Check vacuum breaker for leakage.
- f. Rim wash holes plugged.

- a. Check incoming water pressure.
- b. Remove and clean filter screen located on inlet of water valve.
- c. Replace water valve.
- d. Replace flush lever.
- e. Replace vacuum breaker.
- f. Clean holes.

Figure - 7



Problem	Possible Cause	Service Instructions
<p>5. Water leaking from water valve.</p> <p>See Figure 6</p>	<p>a. Loose connection.</p> <p>b. Worn or defective water valve.</p> <p>c. Stripped threads.</p> <p>d. Seal worn or missing.</p> <p>e. Valve body cracked.</p>	<p>a. Tighten bottom cap, inlet fitting and outlet hose clamp.</p> <p>b. Replace water valve.</p> <p>c. Replace water valve.</p> <p>d. Replace water valve.</p> <p>e. Replace water valve.</p>
<p>6. Water leaking from bottom of toilet base.</p> <p>See Figure 6</p>	<p>a. Toilet loose.</p> <p>b. Worn or defective toilet mounting floor seal.</p> <p>c. Worn or defective base.</p> <p>d. Worn or defective floor flange.</p>	<p>a. Tighten toilet mounting bolts.</p> <p>b. Replace sponge rubber seal between floor flange and toilet base.</p> <p>c. Replace base assembly.</p> <p>d. Replace floor flange.</p>
<p>7. Water leaking from rear of toilet bowl.</p> <p>See Figure 7</p>	<p>a. Loose hose connection.</p> <p>b. Loose vacuum breaker.</p> <p>c. Worn or defective vacuum breaker.</p> <p>d. Cracked or defective toilet bowl.</p>	<p>a. Tighten hose connections.</p> <p>b. Tighten vacuum breaker to bowl connection.</p> <p>c. Replace vacuum breaker assembly.</p> <p>d. Replace toilet bowl.</p>

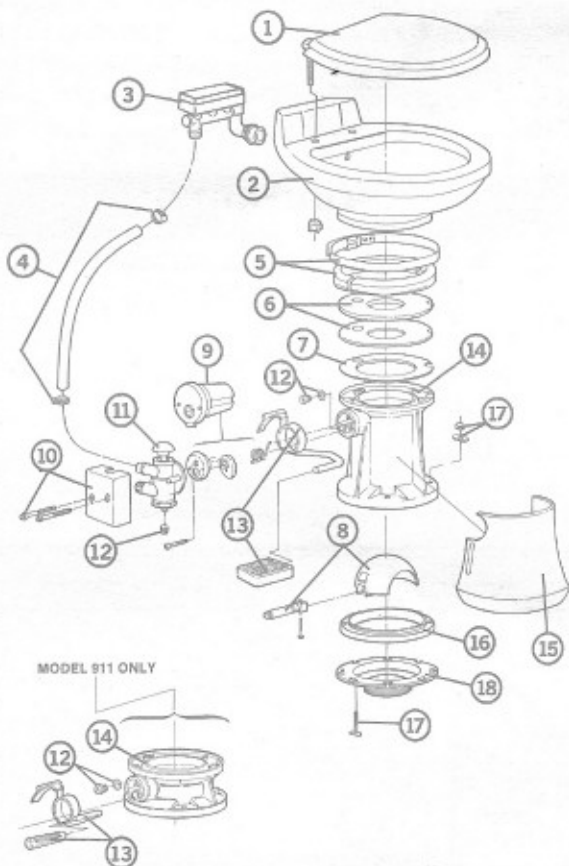
Ordering Parts

1. Model #
2. Serial #
3. Part #, Description and Quantity (See Parts Information)

SeaLand Technology is ready to assist you in the event service is required. Before calling, please have the following information available. Your cooperation in reducing usage of our toll free number is appreciated and makes our Customer Service Department more readily available to others.

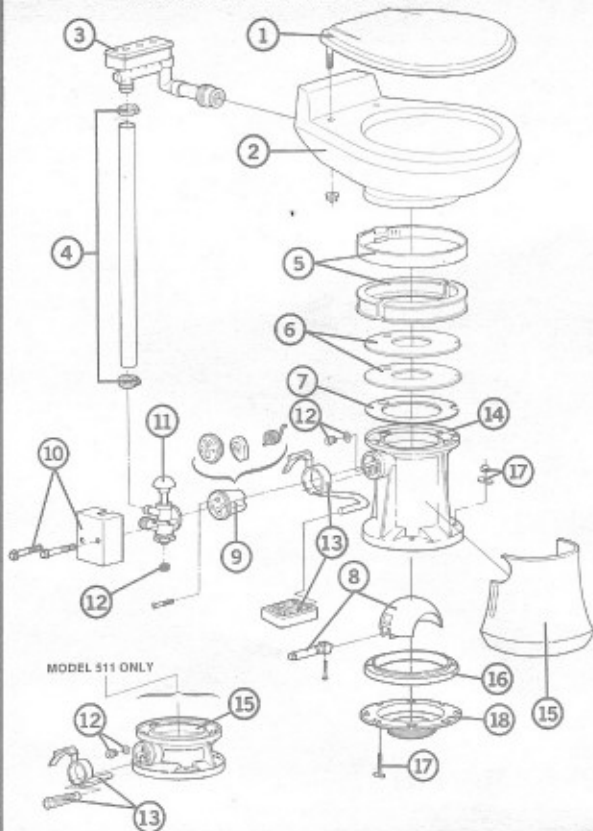
When you have gathered all the required information, refer to the Need Help section of this manual on page 15.

910 & 911 Head Parts List



Item No.	Part Numbers		Part Description
	Model 910	Model 911	
1.	390344430		Seat Assembly, White
	390341814		Seat Assembly, Bone
	390340337		Seat Assembly, Platinum
2.	385310032		Kit, Bowl, White w/Vacuum Breaker
	385310033		Kit, Bowl, Bone w/Vacuum Breaker
	385319032		Kit, Bowl, Platinum w/Vac. Breaker
3.	385316906		Kit, Vacuum Breaker
4.	385315902		Kit, Universal Tubing
	385319019		Kit, Universal Tubing, Platinum
5.	385310025		Kit, Ring & Half Clamps, White
	385310048		Kit, Ring & Half Clamps, Bone
	385319024		Kit, Ring & Half Clamps, Platinum
6.	385316140		Kit, Teflon & Rubber Seals
7.	390346405		Seal Support, Plastic
8.	385318162		Kit, Ball, Shaft & Cartridge
9.	381236096		Spring Cartridge Assembly
10.	385310071		Kit, Valve Cover w/Screws, White
	385310073		Kit, Valve Cover w/Screws, Bone
	385310090		Kit, Valve Cov. w/Screws, Platinum
11.	385314349		Kit, Water Valve
12.	385316142		Kit, Drain Plug & Cap w/Seals
13.	390340233		Flush Lever w/Cover, White
	390340234		Flush Lever w/Cover, Bone
	381230152		Flush Lever w/Cover, Platinum
14.		381234039	Flush Lever w/Cover, Black
	385315061	385315060	Base Assembly, White
	385310044	385310055	Base Assembly, Bone
15.	385319022	385319023	Base Assembly, Platinum
	390340123	390340295	(Replaces Items 5 thru 13 & 16, 17)
	390340124	390340294	Shroud, White
16.	390340343	390340344	Shroud, Bone
			Shroud, Platinum
17.	390343892		Floor Flange Seal
18.	385310064		Kit, Floor Bolt
	390346056		Floor Flange 3" MPT (Accessory - not supplied with toilet)

510 & 511 Head Parts List



Item No.	Part Numbers		Part Description
	Model 510	Model 511	
1.	390340218		Seat Assembly, White
	390340217		Seat Assembly, Bone
	390340336		Seat Assembly, Platinum
2.	385310080		Kit, Bowl, White w/Vacuum Breaker
	385310081		Kit, Bowl, Bone w/Vacuum Breaker
	385319033		Kit, Bowl, Platinum w/Vac. Breaker
3.	385318065		Kit, Vacuum Breaker
4.	385315902		Kit, Universal Tubing, White
	385319019		Kit, Universal Tubing, Platinum
5.	385310025		Kit, Ring & Half Clamps, White
	385310048		Kit, Ring & Half Clamps, Bone
	385319024		Kit, Ring & Half Clamps, Platinum
6.	385316140		Kit, Teflon & Rubber Seals
7.	390346405		Seal Support, Plastic
8.	385318162		Kit, Ball, Shaft & Cartridge
9.	381236096		Spring Cartridge Assembly
10.	385310071		Kit, Valve Cover w/Screws, White
	385310073		Kit, Valve Cover w/Screws, Bone
	385310090		Kit, Valve Cov. w/Screws, Platinum
11.	385314349		Kit, Water Valve
12.	385316142		Kit, Drain Plug & Cap w/Seals
13.	390340233		Flush Lever w/Cover, White
	390340234		Flush Lever w/Cover, Bone
	381230152	381230198	Flush Lever w/Cover, Black
14.			Flush Lever w/Cover, Platinum
	385315061	385310082	Base Assembly, White
	385310044	385310083	Base Assembly, Bone
15.	385319022	385319021	Base Assembly, Platinum
	390340123	390340295	(Replaces Items 5 thru 13 & 16, 17)
	390340124	390340294	Shroud, White
16.	390340343	390340344	Shroud, Bone
			Shroud, Platinum
17.	390343892		Floor Flange Seal
18.	385310064		Kit, Floor Bolt
	390346056		Floor Flange 3" MPT (Accessory - not supplied with toilet)

New Two Year Warranty

MANUFACTURER'S LIMITED TWO YEAR WARRANTY

SeaLand Technology warrants this product to be free from defects in material or workmanship for a period of two years from date of purchase, and SeaLand Technology promises to replace any part of this product that proves, upon our inspection and within two years from date of purchase, to be defective in material or workmanship.

EXCLUSIONS

IN NO EVENT SHALL SeaLand Technology BE LIABLE FOR INCIDENTAL OR CONSEQUENTIAL DAMAGES, FOR DAMAGES RESULTING FROM IMPROPER INSTALLATION, OR FROM DAMAGES CAUSED BY NEGLIGENCE, ABUSE OR ALTERATION. ALL IMPLIED WARRANTIES INCLUDING ANY IMPLIED WARRANTY OR MERCHANTABILITY OR FITNESS FOR ANY PARTICULAR PURPOSE, ARE LIMITED TO A PERIOD OF TWO YEARS FROM THE DATE OF PURCHASE.

Some states do not allow limitations on the duration of an implied warranty and some states do not allow exclusions or limitations regarding incidental or consequential damages so the above limitations may not apply to you. This warranty gives you specific legal rights and you may have other rights which may vary from state to state.

No person is authorized to change, add to, or create any warranty or obligation other than that set forth herein.

To obtain warranty service, first contact your local dealer from whom you purchased this product.

Model Identification



The above label is located on the toilet base and will show the model number & serial number (S/N). If not available please refer to the Specifications of this manual on page 2 for basic model and system identification.

Spare Parts

Your Traveler RV Toilet is designed for years of dependable trouble free service. However during the life of the product certain parts may require replacement.

The following is a list of parts kits which may be required for maintenance purposes.

- 385318162 Ball, Shaft & Cartridge Kit
- 385316140 Seal Kit
- 385314349 Valve Kit
- 385316906 Vacuum Breaker (910 & 911)
- 385318065 Vacuum Breaker (510 & 511)

Need Help?

We have developed a strong, worldwide dealer network to assist in installing, servicing and maintaining your Traveler Toilet. For the name of a Dealer near you, please call our toll free number **(800) 321-9889 (Inside Ohio Call (216) 496-3211*)** from 9:00 a.m. to 4:00 p.m. (Eastern Standard Time) Monday through Friday. You may also write us at:
P.O. Box 38, Big Prairie, Ohio 44611. *(Sorry, we can not accept collect calls)

Overseas Customers can contact us at Telex No. 241323, Man San 73.