



RCHW Series

Polycase

Residential/Commercial/Light Industrial Surge Protection Device

The RCHW/POL Series provides **high-energy surge protection** and optional **RF filtering** for Residential, Commercial, Industrial and Remote Site applications.

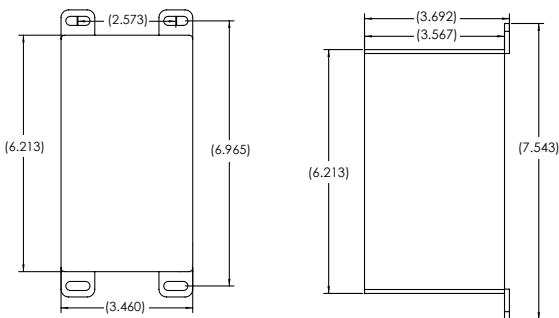
These hardwired units provide superior control over transients by delivering low clamping voltages combined with high surge energy handling capabilities. All RCHW/POL models are Type 1 or Type 2 Surge Protection Devices that are listed to **ANSI/UL 1449**.

They are configured for **quick and easy parallel installation** and require little maintenance while in service. The superior energy handling capabilities of the RCHW/POL Series is due to the utilization of large diameter MOV technology.

The RCHW/POL Series is available for all service voltages and phase configurations and can be equipped with several specialized diagnostic options. All Models have a 100kA RMS symmetrical fault current rating suitable for all IEEE category C locations and are available with surge ratings of 50kA or 100kA per phase.

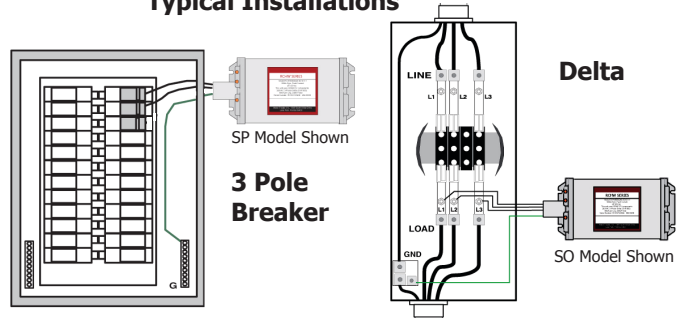


Dimensions



(Diagrams not drawn to scale)

Typical Installations



Product Specifications	
I_n	20 kA*
Max Surge Current	50kA to 100kA per Phase
Fusing	Coordinated Surge & Thermal
Short Circuit Current	100kA RMS Symmetrical

* Devices that are rated 480V delta have a 10kA I_n

Mechanical/Environmental Specifications	
Diagnostics	Red Status LED, SUNBRIGHT
Safety Standards (Type 1 SPD)	ANSI/UL 1449
Housing Ratings	NEMA 4X Polycarb - Standard

Model Number	Service Voltage	MCOV	L-N	L-G	N-G	L-L
RCHWxxx/120-10-#-1/POL	120 Volt Single \emptyset	150Vac	600V	600V	600V	N/A
RCHWxxx/120-SP-#-1/POL	120/240 Volt Split \emptyset	150Vac	600V	600V	600V	1200V
RCHWxxx/120-3W-#-1/POL	120/208 Volt 3 \emptyset Wye	150Vac	600V	600V	600V	1200V
RCHWxxx/120-3H-0-1/POL	120/240 Volt 3 \emptyset Delta	150/320Vac	600/1000V	600/1000V	600V	1200/1800V
RCHWxxx/240-3D-0-1/POL	240 Volt 3 \emptyset Delta	320Vac	N/A	1000V	N/A	2000V
RCHWxxx/220-3W-#-1/POL	220/380 Volt 3 \emptyset Wye	320Vac	1000V	1000V	1000V	2000V
RCHWxxx/230-3W-#-1/POL	230/400 Volt 3 \emptyset Wye	320Vac	1000V	1000V	1000V	2000V
RCHWxxx/240-3W-#-1/POL	240/415 Volt 3 \emptyset Wye	320Vac	1000V	1000V	1000V	2000V
RCHWxxx/277-3W-#-1/POL	277/480 Volt 3 \emptyset Wye	320Vac	1000V	1000V	1000V	2000V
RCHWxxx/480-3D-0-1/POL	480 Volt 3 \emptyset Delta	520Vac	N/A	1800V	N/A	4000V

1. Replace xxx with: 050 for 50kA or 100 for 100kA per phase Surge Ratings.
3. Options: Add - TB to the end of the model number for Terminal Block option.

2. Replace # with: F if filtering is required (available option on WYE Models only).
4. Add: - DIN to the end of the model number for the Din Rail Mount.

All product dimensions provided are ± 0.125

Meter Treater Inc.: 1349 South Killian Drive • Lake Park, FL 33403

Email: sales@metertreater.com

Sales: 561.845.2007 Toll: Free: 800.638.3788 Fax: 561.848.2372

Website: www.metertreater.com